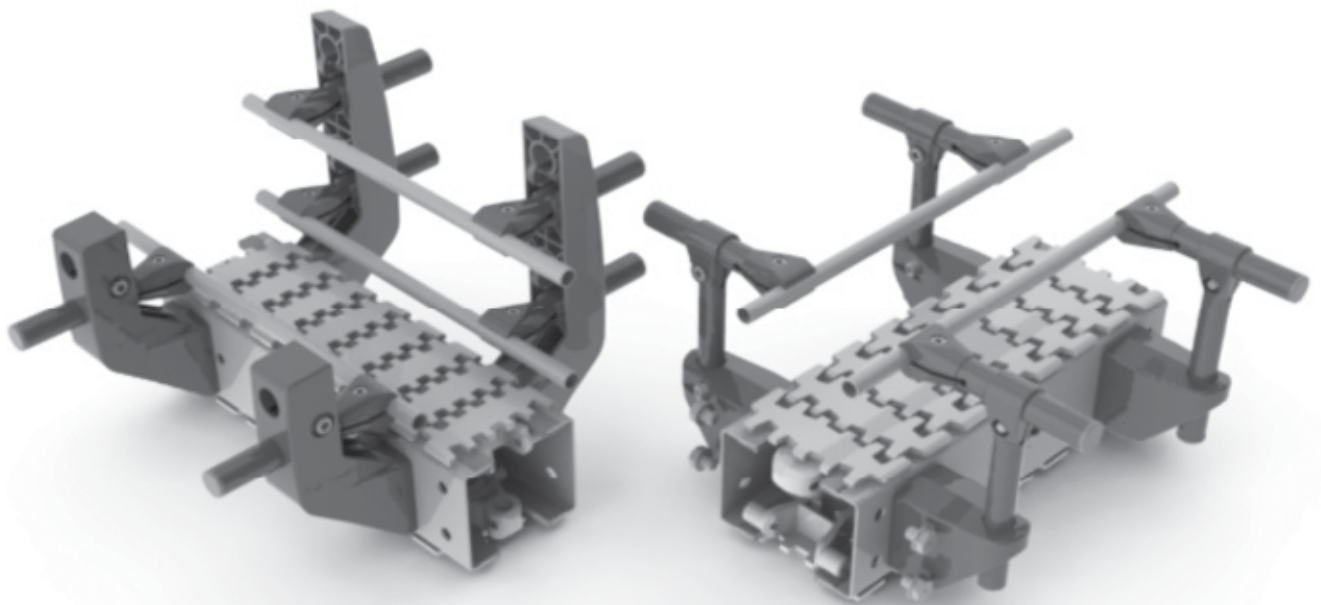


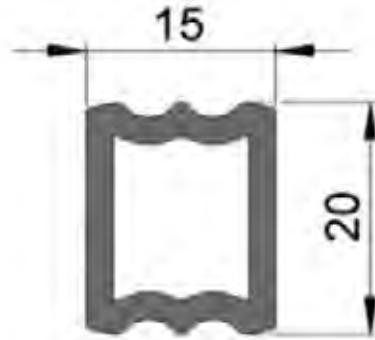
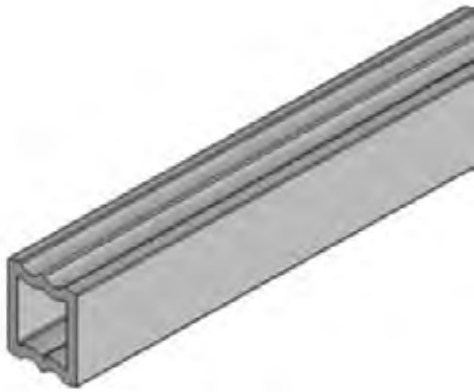
# SG

Stainless  
Steel  
Conveyor



**FGRR-15X20P**

Guide Rail Rectangular, 15mm x 20mm – HDPE



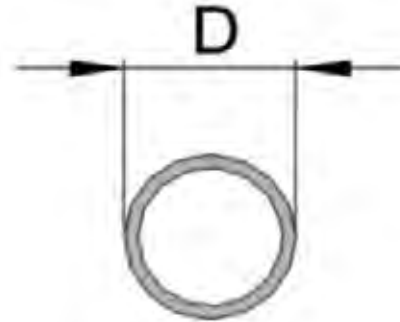
**UOM: 3meter / length**

**SGRR-19** D = 19mm

Guide Rail Tube – Stainless Steel

**SGRR-12** D = 12mm

Guide Rail Tube – Stainless Steel



**UOM: 6meter / length**

**SGDT-18x150** D = 19mm L = 150

Distance Tube – Stainless Steel

**SGDT-18x200** D = 19mm L = 200

Distance Tube – Stainless Steel

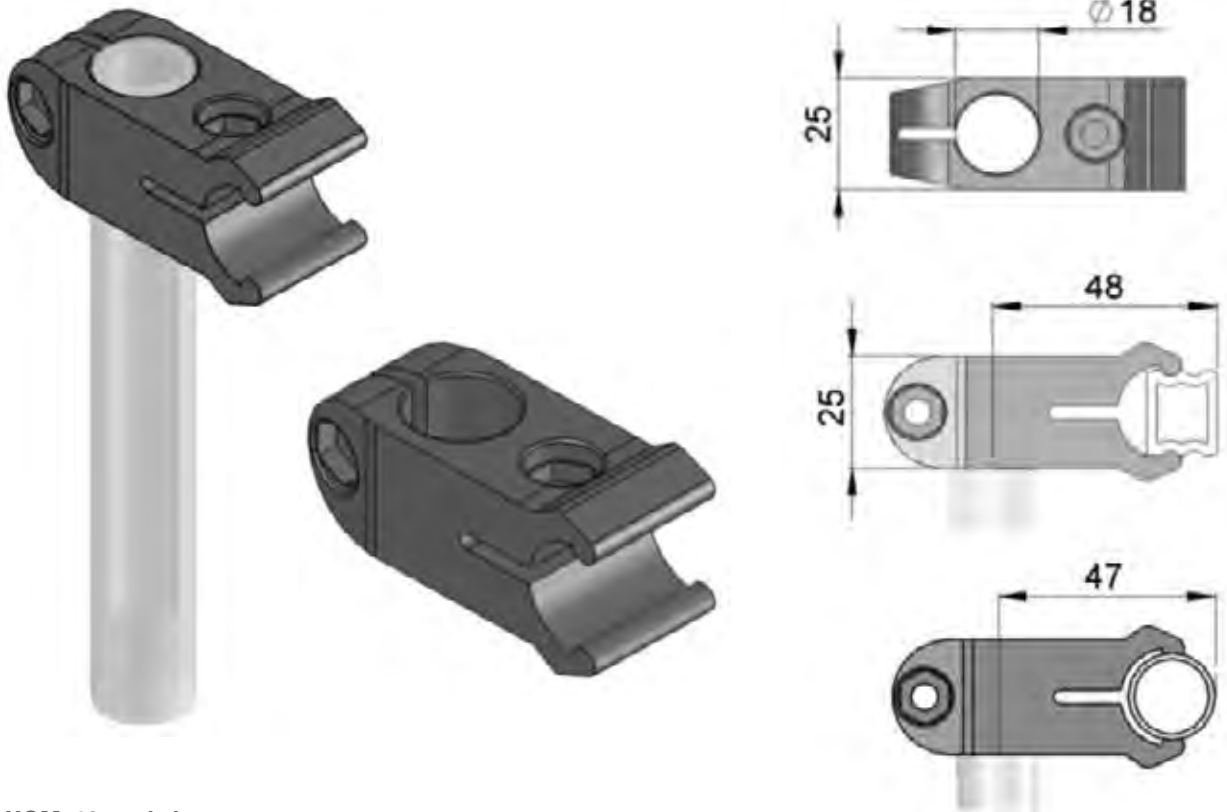


**UOM: 10pcs / pk**

SGRS-18

Guide Rail Support - Polyamide

Stainless Steel Screw and nuts



UOM: 10pcs / pk

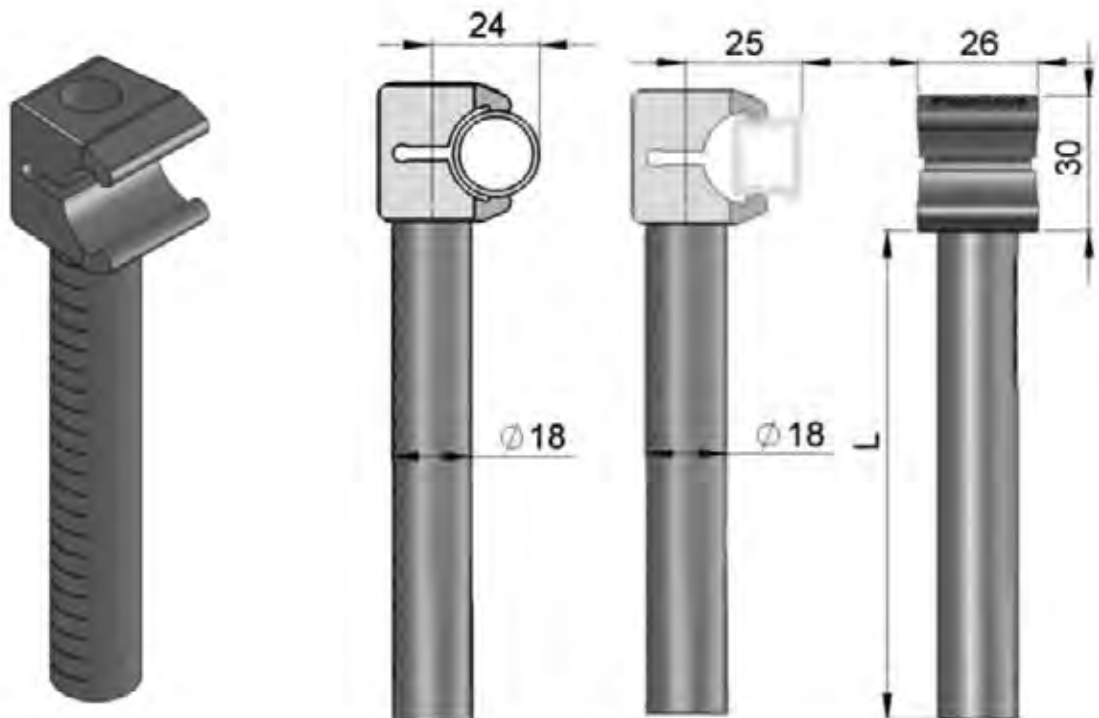
SGRL-18x110C

Guide Rail Support, L = 110mm - Polyamide

SGRL-18x160C

Guide Rail Support, L = 160mm - Polyamide

Stainless Steel Screw and nuts



UOM: 10pcs / pk

# SG SERIES

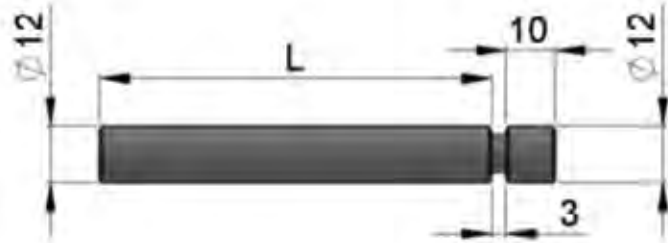
**SGRD-12x80**

Guide Rail Clamp Rod, L = 80mm – S/Steel

**SGRD-12x130**

Guide Rail Clamp Rod, L = 130mm – S/Steel

**Stainless Steel Screw and nuts**

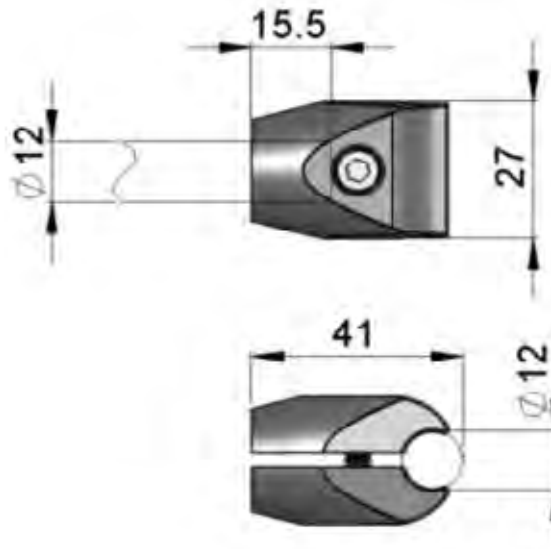


**UOM: 10pcs / pk**

**SGRK-12**

Guide Rail Clamp - Polyamide

**Stainless Steel Screw and nuts**



**UOM: 10pcs / pk**

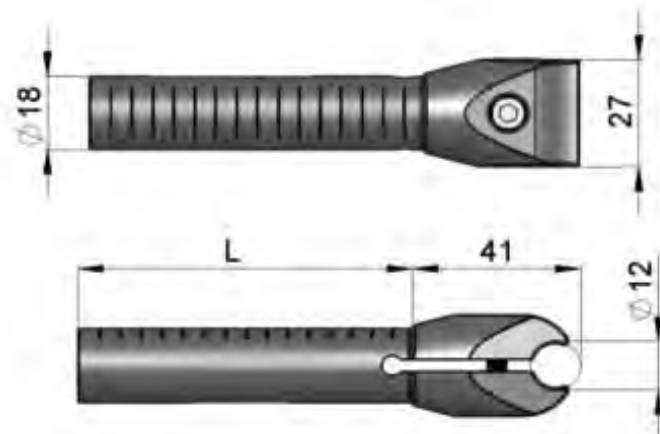
**SGRK-12x80A**

Guide Rail Support, L = 80mm - Polyamide

**SGRK-12x130A**

Guide Rail Support, L = 130mm - Polyamide

**Stainless Steel Screw and nuts**



**UOM: 10pcs / pk**

SGRK-18x40A

Guide Rail Support, L = 40mm - Polyamide

SGRK-18x60A

Guide Rail Support, L = 60mm - Polyamide

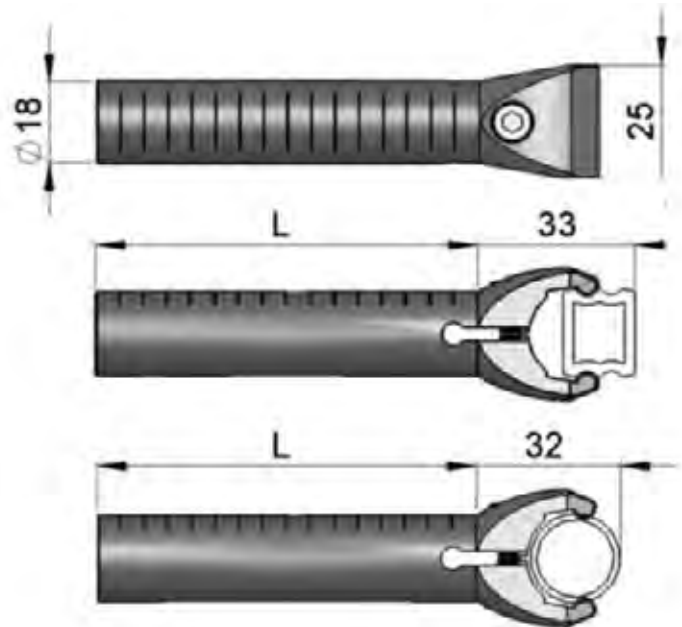
SGRK-18x80A

Guide Rail Support, L = 80mm - Polyamide

SGRK-18x130A

Guide Rail Support, L = 130mm - Polyamide

Stainless Steel Screw and nuts



UOM: 10pcs / pk

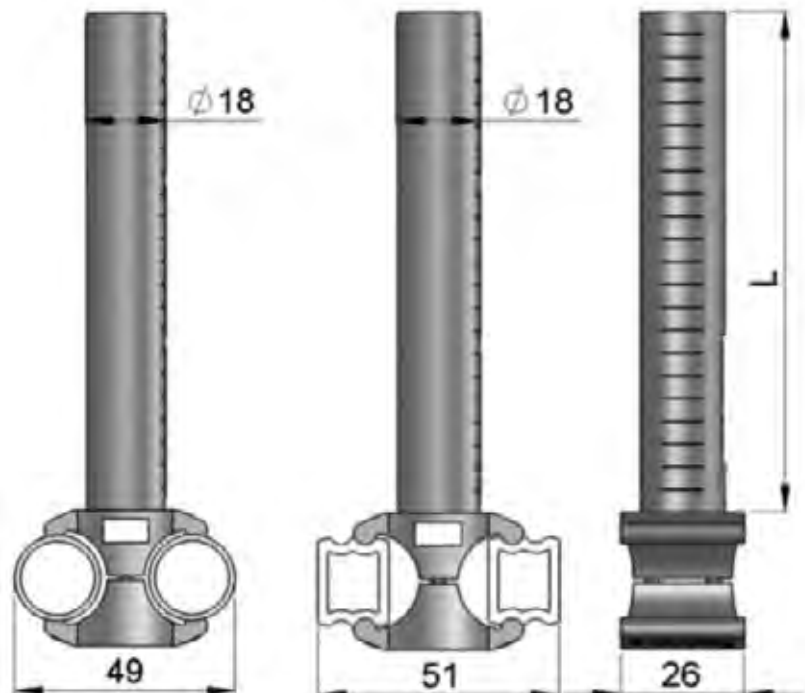
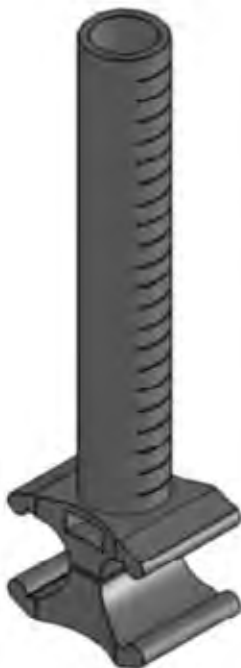
SGRC-18x110C

Double Guide Rail Support, L = 110mm - Polyamide

SGRC-18x160C

Double Guide Rail Support, L = 160mm - Polyamide

Stainless Steel Screw and nuts

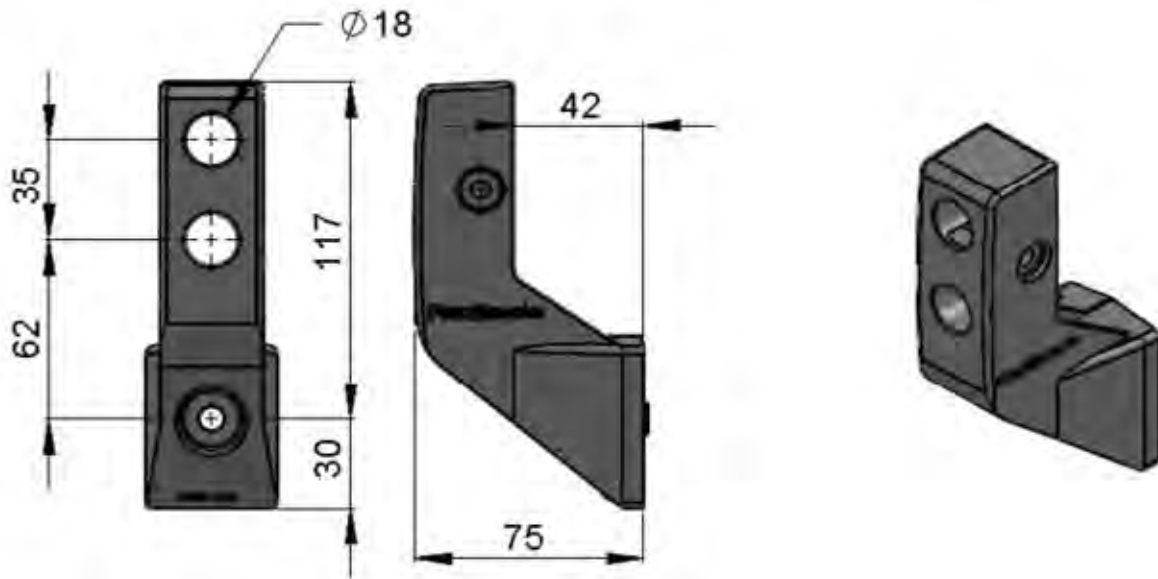


UOM: 10pcs / pk

SGRF-A35

Guide Rail Bracket Support A35 – Polyamide

Stainless Steel Screw and nuts

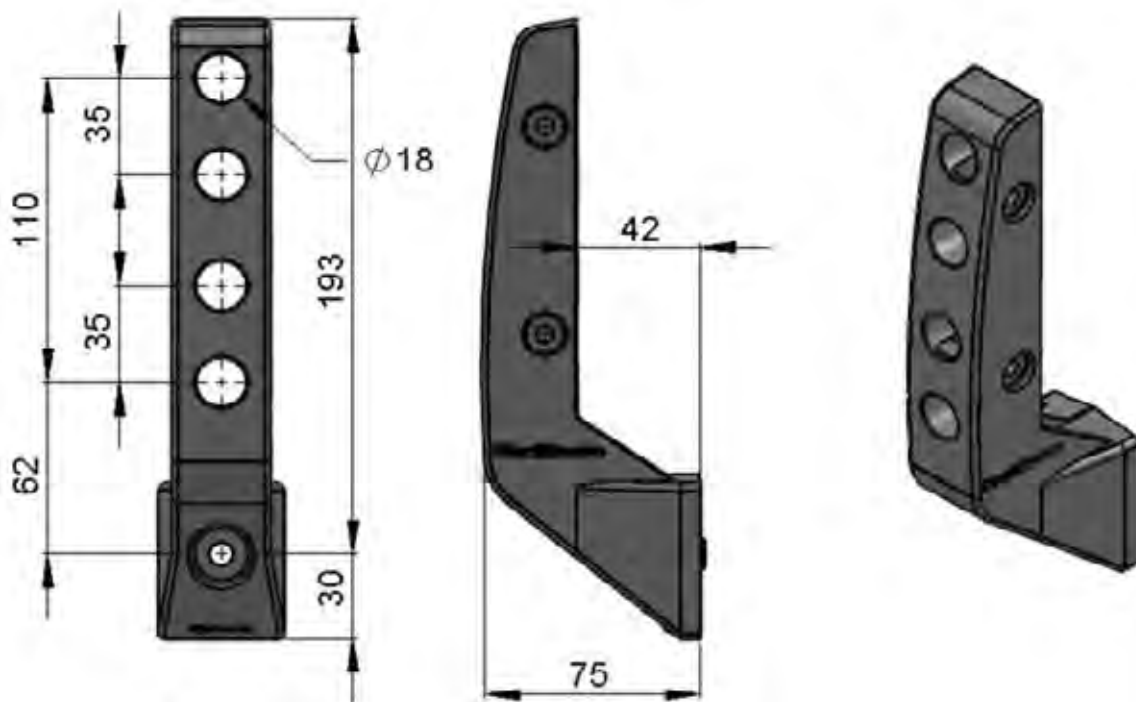


UOM: 10pcs / pk

SGRF-A110

Guide Rail Bracket Support A110 – Polyamide

Stainless Steel Screw and nuts



UOM: 10pcs / pk

SGRL-18x110CA

Guide Rail Support, L = 110mm - Polyamide

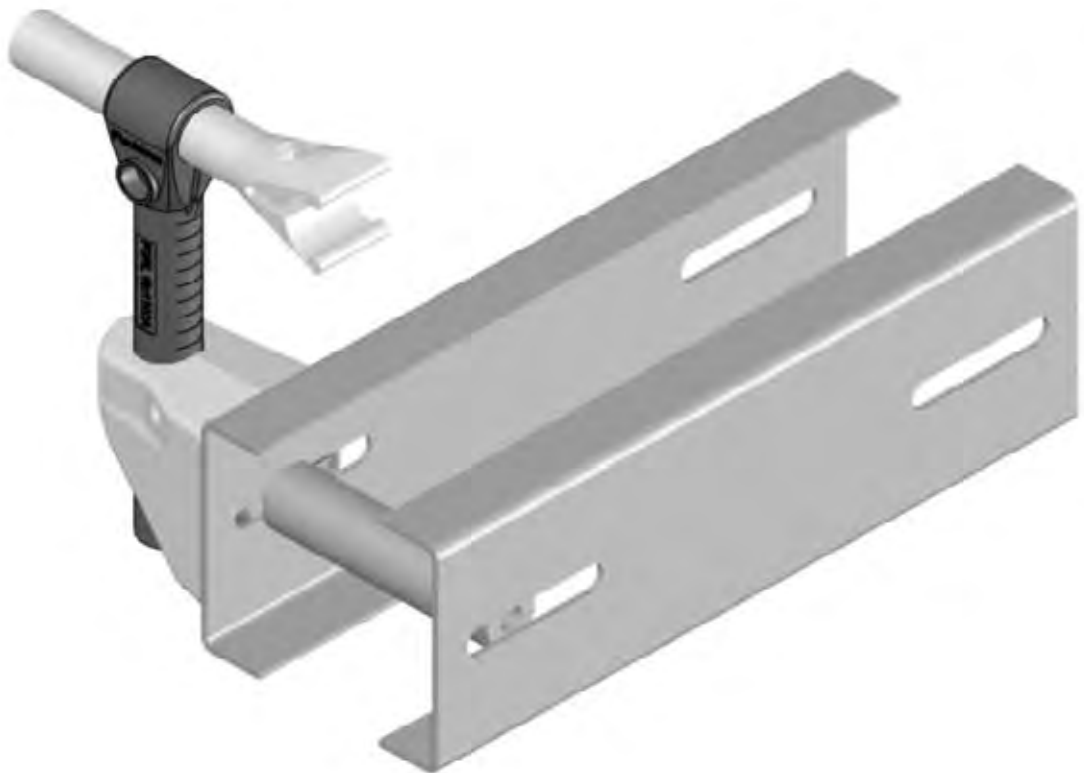
SGRL-18x160CA

Guide Rail Support, L = 160mm - Polyamide

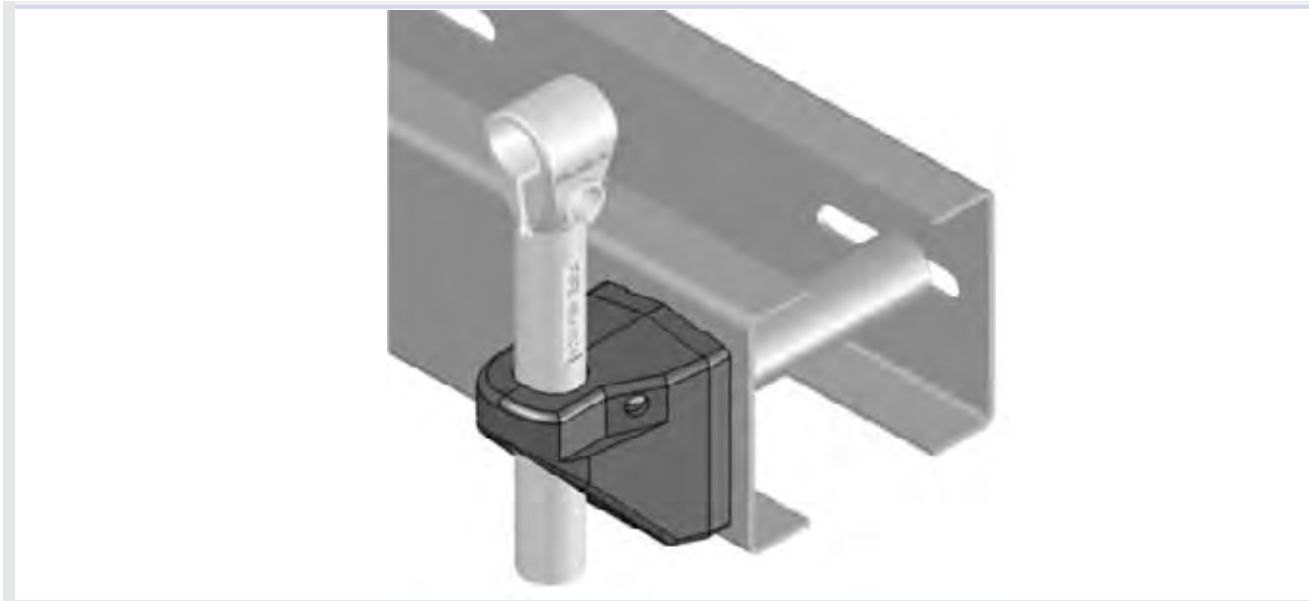
Stainless Steel Screw and nuts



UOM: 10pcs / pk

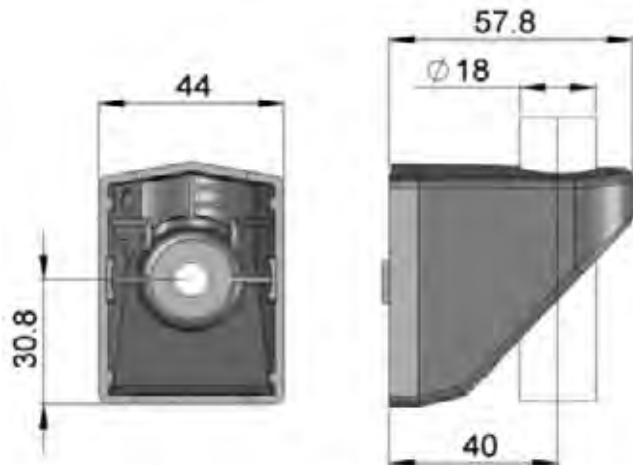


UOM: 10pcs / pk



**SGRF-42x18V**

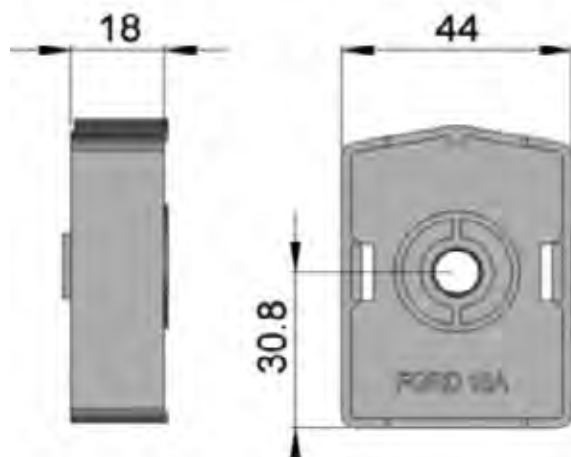
Guide Rail Bracket – Polyamide  
Stainless Steel Screw and nuts



UOM: 10pcs / pk

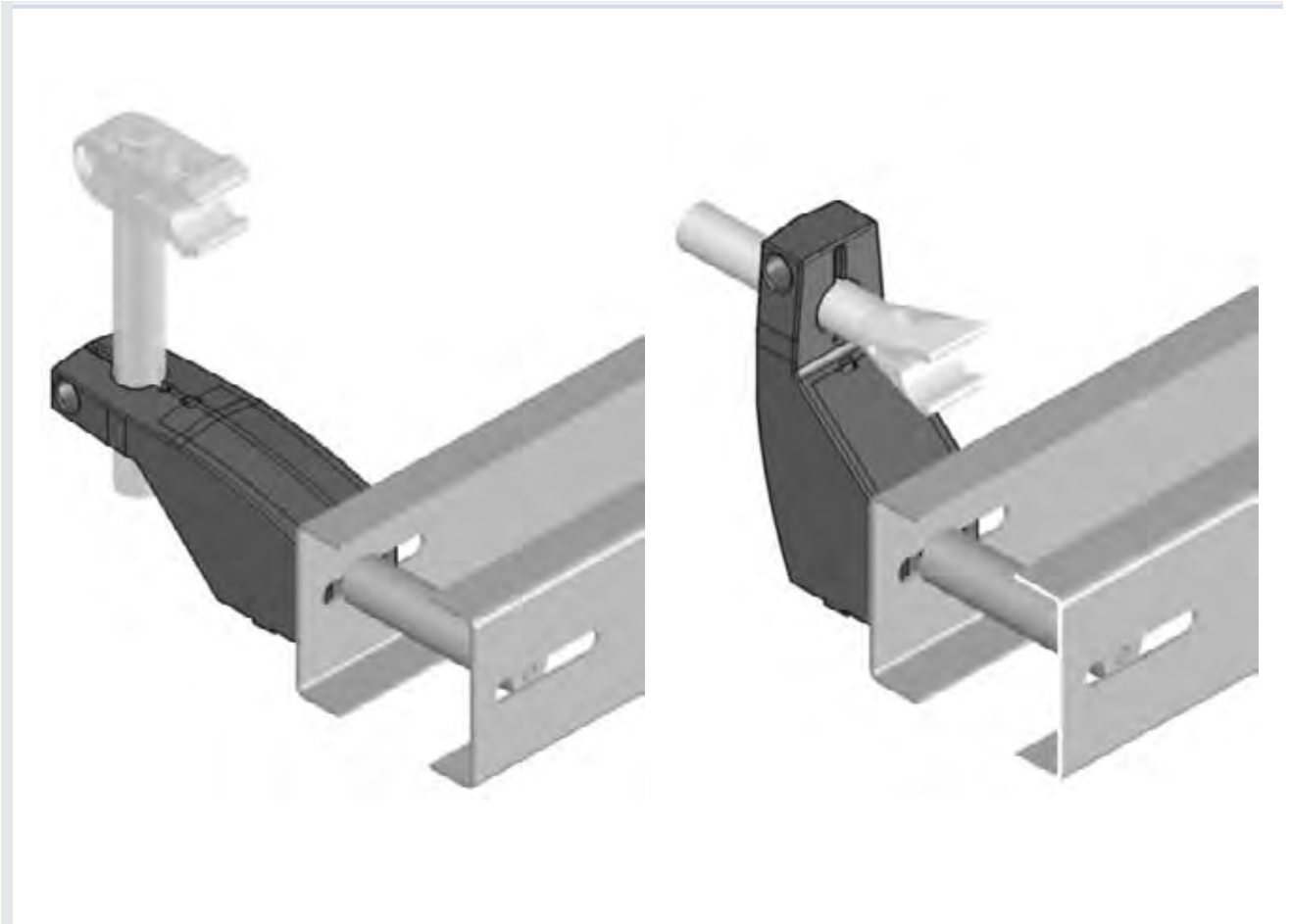
**FGRD-18A**

Spacer for SGRF-42x18V - Polyamide



UOM: 10pcs / pk





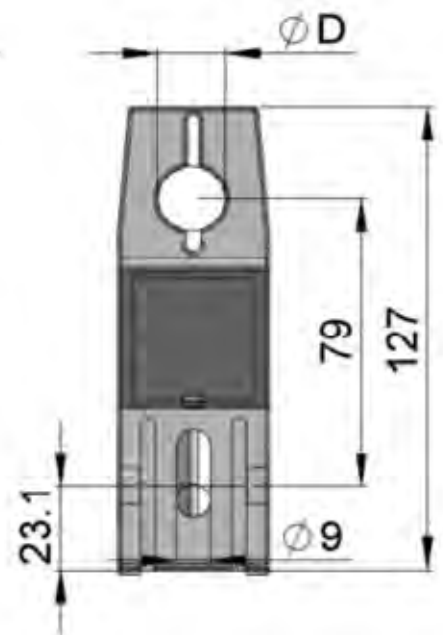
**SGRB-40x18**

Guide Rail Bracket, D = 18mm - Polyamide

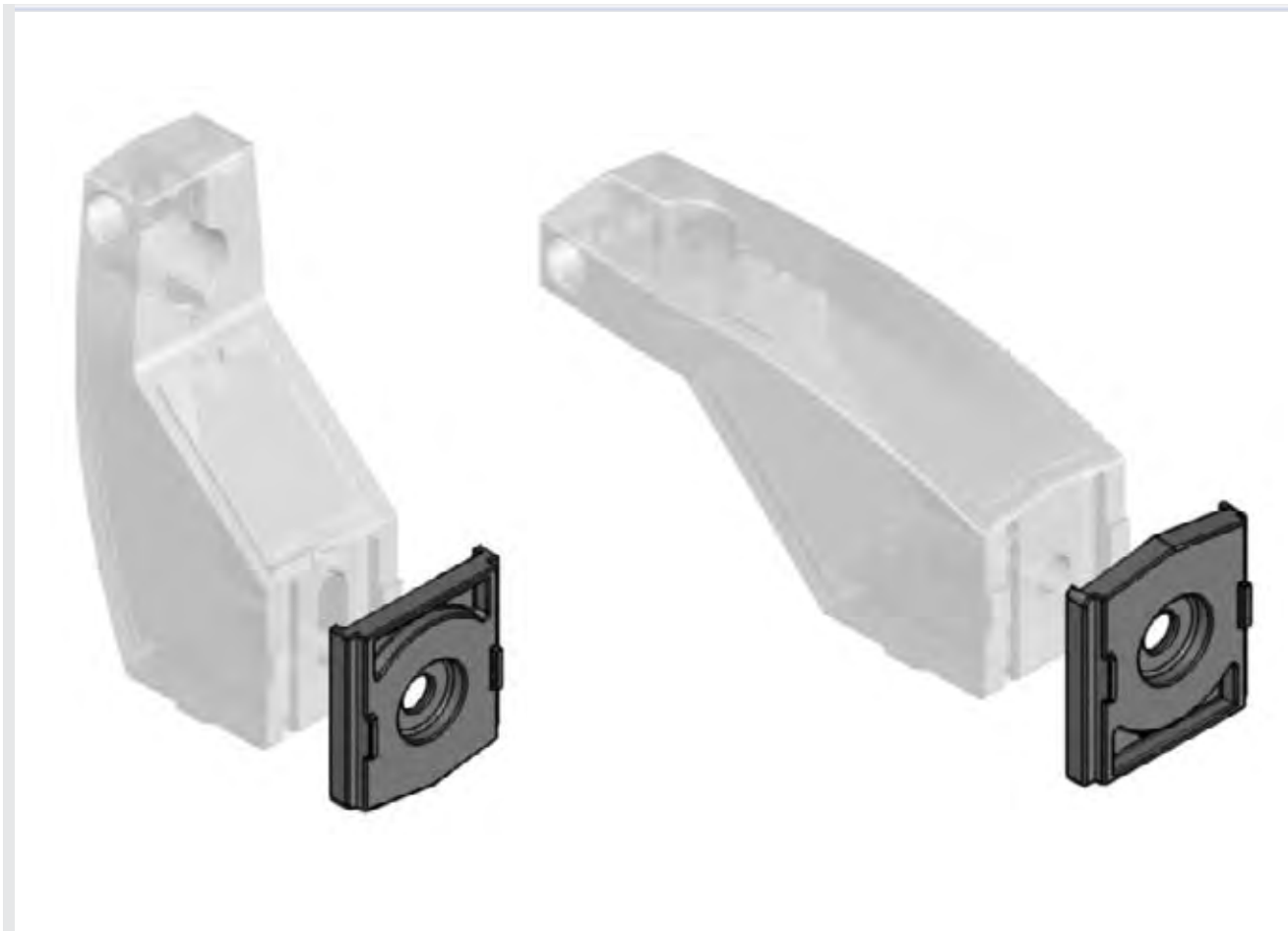
**SGRB-40x20**

Guide Rail Bracket, D = 20mm - Polyamide

**Stainless Steel Screw and nuts**

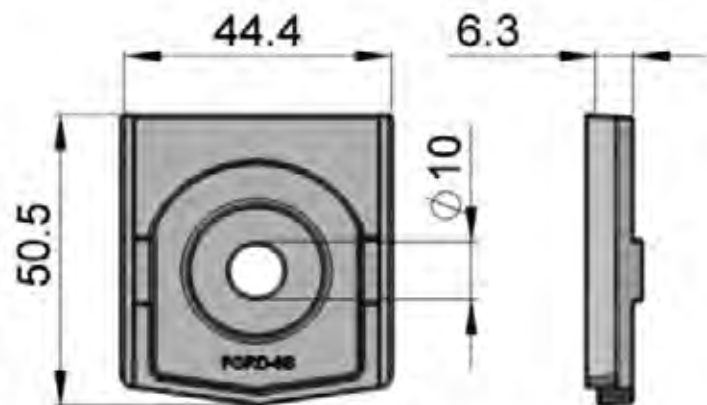


**UOM: 10pcs / pk**



FGRD-6B

Spacer for SGRB-40x18 , SGRB-40x20 - Polyamide



UOM: 10pcs / pk

SGRB-18x18

Guide Rail Bracket,  $\varnothing A = 18\text{mm}$ ,  $\varnothing B = 18\text{mm}$  - Polyamide

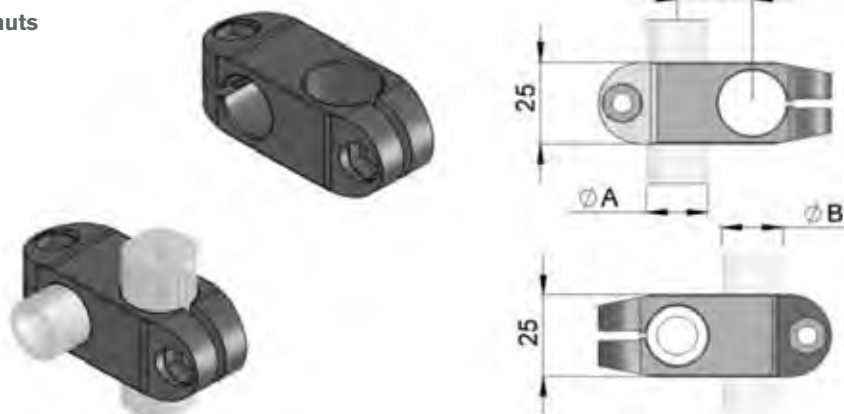
SGRB-18x20

Guide Rail Bracket,  $\varnothing A = 18\text{mm}$ ,  $\varnothing B = 20\text{mm}$  - Polyamide

SGRB-20x20

Guide Rail Bracket,  $\varnothing A = 20\text{mm}$ ,  $\varnothing B = 20\text{mm}$  - Polyamide

Stainless Steel Screw and nuts

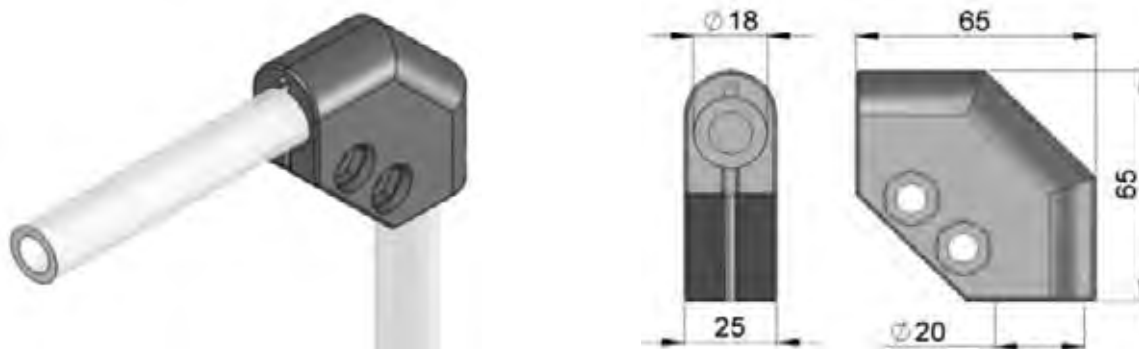


UOM: 10pcs / pk

SGRX-18X20

90° Corner Connector - Polyamide

Stainless Steel Screw and nuts



UOM: 10pcs / pk

SGRX-18x20

90° Corner Connector,  $\varnothing A = 18\text{mm}$ ,  $\varnothing B = 20\text{mm}$  - Polyamide

SGRX-18x18

90° Corner Connector,  $\varnothing A = 18\text{mm}$ ,  $\varnothing B = 18\text{mm}$  - Polyamide

SGRX-20x20

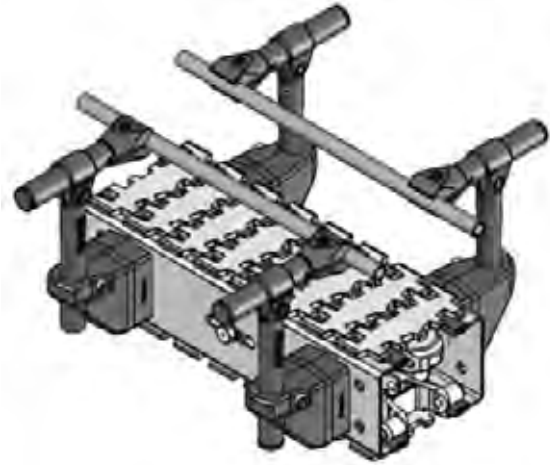
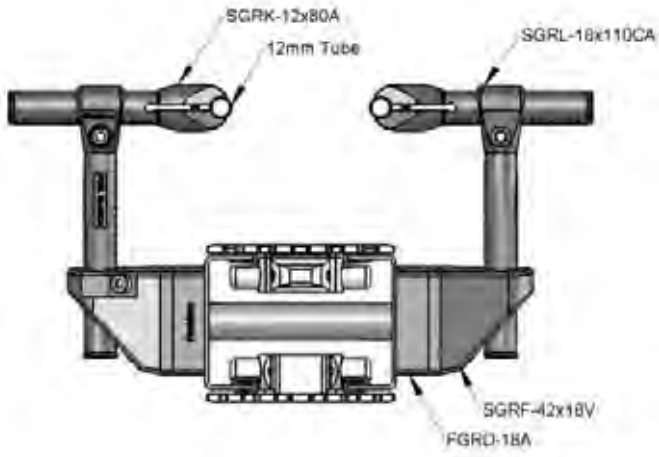
90° Corner Connector,  $\varnothing A = 20\text{mm}$ ,  $\varnothing B = 20\text{mm}$  - Polyamide

Stainless Steel Screw and nuts



UOM: 10pcs / pk

**SG Guide Rail Assembly**



**SG Guide Rail Assembly**

