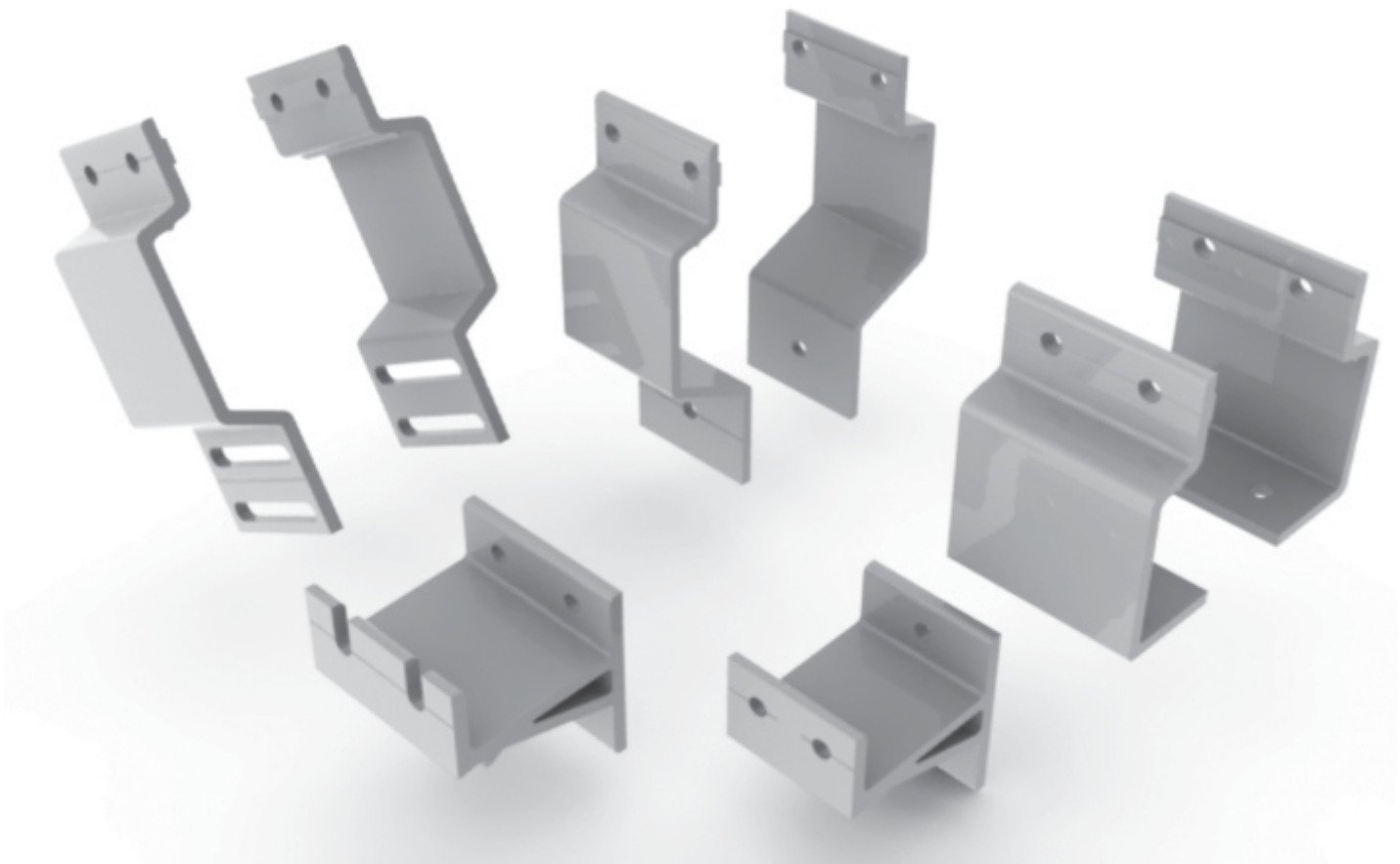


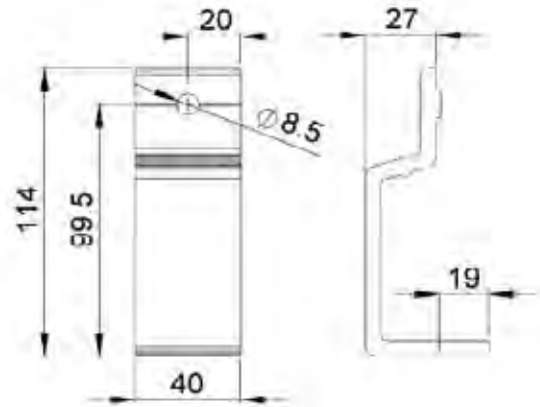
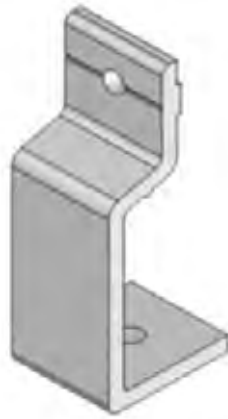
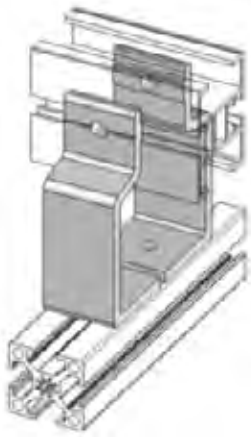
FA Conveyor Accessories



FA SERIES

FAHBS-40

Horizontal beam support bracket - Aluminium



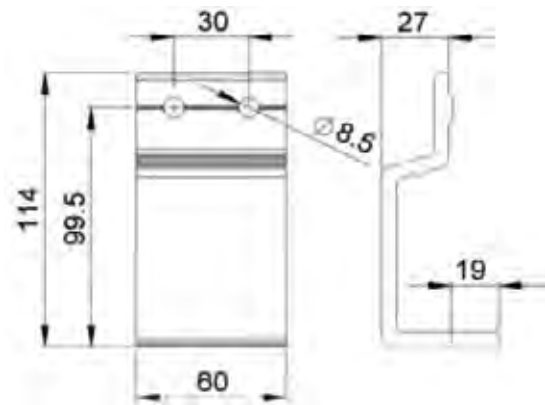
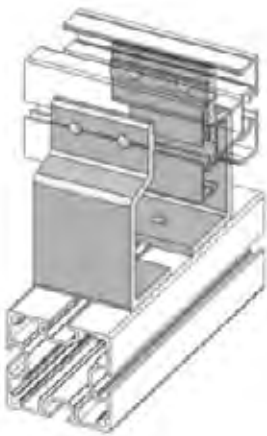
UOM : pc

For 40mm horizontal crossing support beam

Mounting : FATB-20(1) , FALN-M8(1) , FAHB-M8 x16(1) , FASN-M8(1) , FAFW-M8 (2)

FAHBS-60

Horizontal beam support bracket - Aluminium



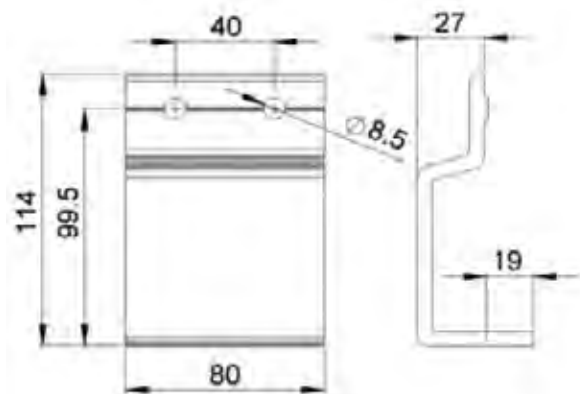
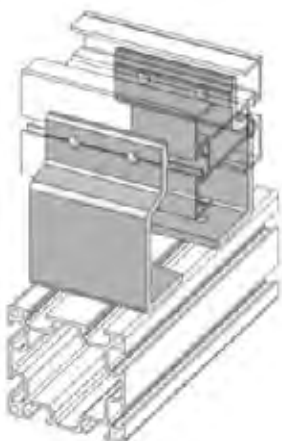
UOM : pc

For 64mm horizontal crossing support beam

Mounting : FATB-20(2) , FALN-M8(2), FAHB-M8 x16(1) , FASN-M8(1) , FAFW-M8 (3)

FAHBS-80

Horizontal beam support bracket - Aluminium



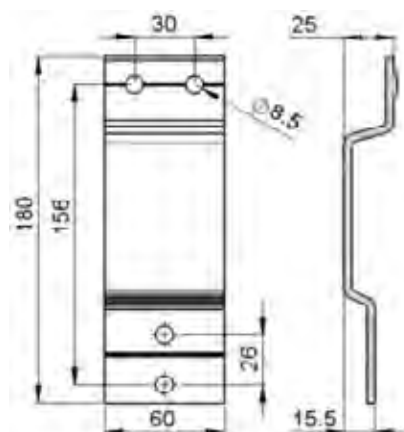
UOM : pc

For 80mm horizontal crossing support beam

Mounting : FATB-20(2) , FALN-M8(2), FAHB-M8 x16(2) , FASN-M8(2) , FAFW-M8 (4)

FAVBS-60K

Vertical beam support bracket - Aluminium



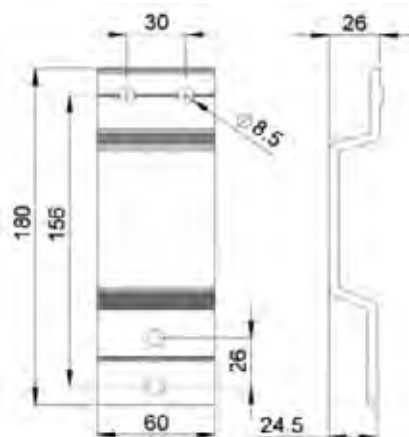
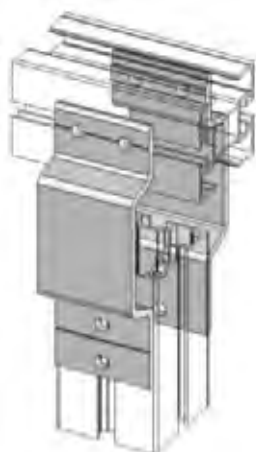
UOM : pc

For FK conveyor with 64mm vertical support beam

Mounting : FATB-20(2) , FALN-M8(2) , FAHB-M8 x16(2) , FASN-M8(2) , FAFW-M8 (4)

FAVBS-60S

Vertical beam support bracket - Aluminium



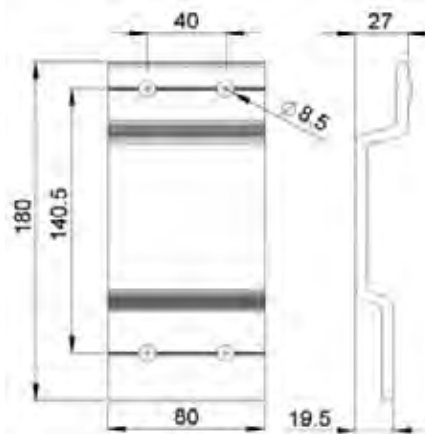
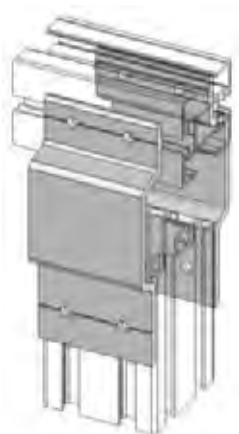
UOM : pc

For FS conveyor with 64mm vertical beam support

Mounting : FATB-20(2) , FALN-M8(2) , FAHB-M8 x16(2) , FASN-M8(2) , FAFW-M8 (4)

FAVBS-80S

Vertical beam support bracket - Aluminium



UOM : pc

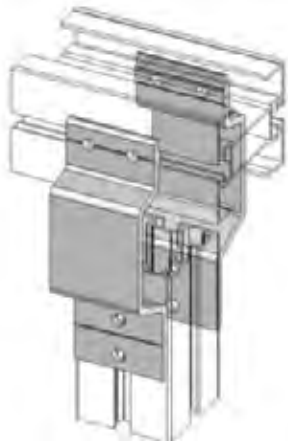
For FS conveyor with 80mm vertical beam support

Mounting : FATB-20(2) , FALN-M8(2) , FAHB-M8 x16(2) , FASN-M8(2) , FAFW-M8 (4)

FA SERIES

FAVBS-60M

Vertical beam support bracket - Aluminium



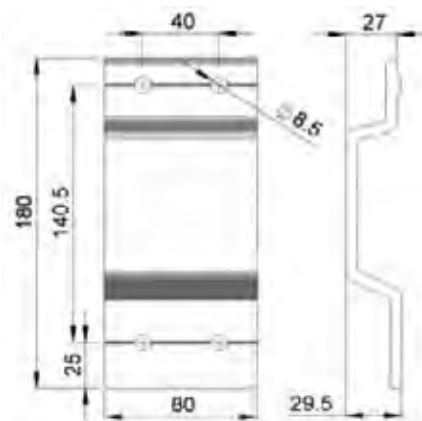
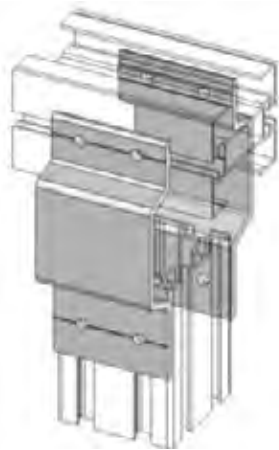
UOM : pc

For FM conveyor with 64mm vertical support beam

Mounting : FATB-20(2) , FALN-M8(2) , FAHB-M8 x16(2) , FASN-M8(2) , FAFW-M8 (4)

FAVBS-80M

Vertical beam support bracket - Aluminium



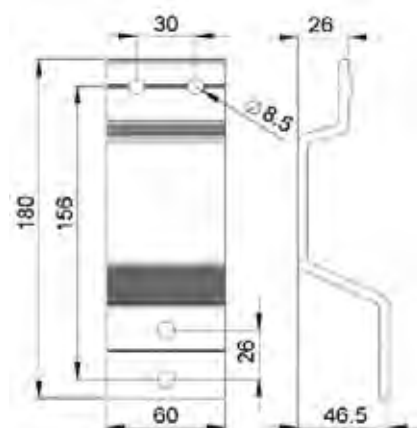
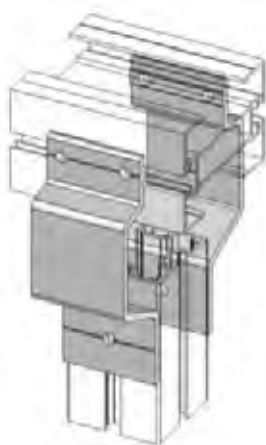
UOM : pc

For FM conveyor with 80mm vertical beam support

Mounting : FATB-20(2) , FALN-M8(2) , FAHB-M8 x16(2) , FASN-M8(2) , FAFW-M8 (4)

FAVBS-60C

Vertical beam support bracket - Aluminium



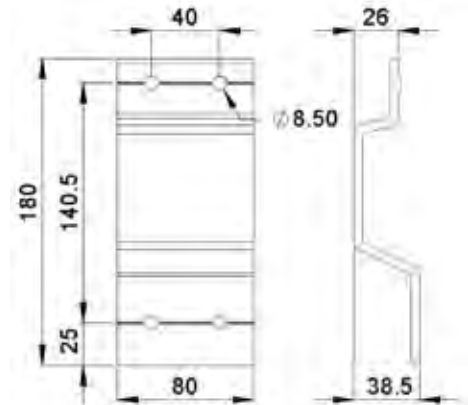
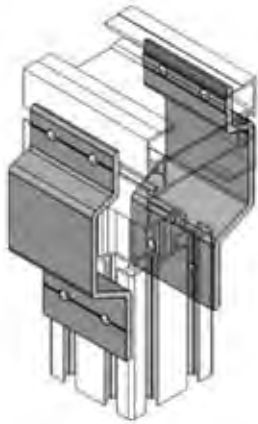
UOM : pc

For FC conveyor with 64mm vertical beam support

Mounting : FATB-20(2) , FALN-M8(2) , FAHB-M8 x16(2) , FASN-M8(2) , FAFW-M8 (4)

FAVBS-80C

Vertical beam support bracket - Aluminium



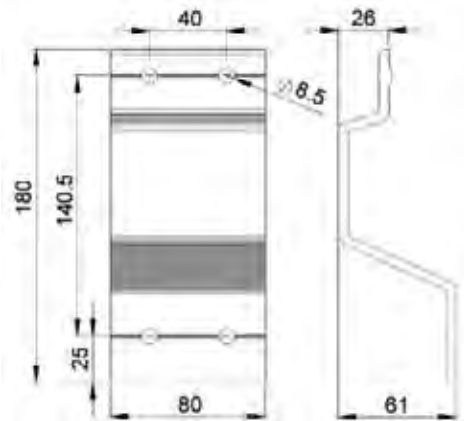
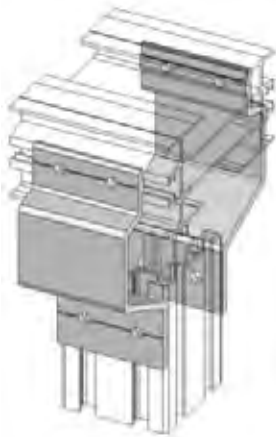
UOM : pc

For FC conveyor with 80mm vertical beam support

Mounting : FATB-20(2) , FALN-M8(2) , FAHB-M8 x16(2) , FASN-M8(2) , FAFW-M8 (4)

FAVBS-80L

Vertical beam support bracket - Aluminium



UOM : pc

For FL conveyor with 80mm vertical beam support

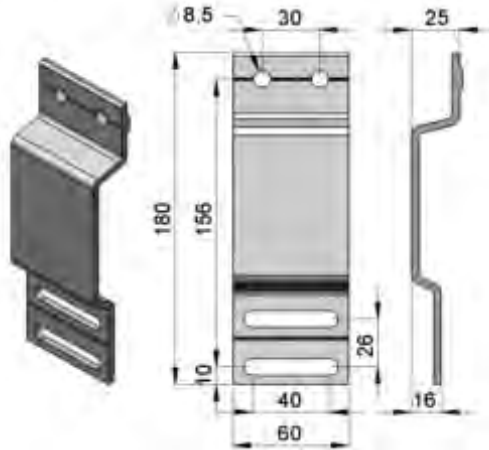
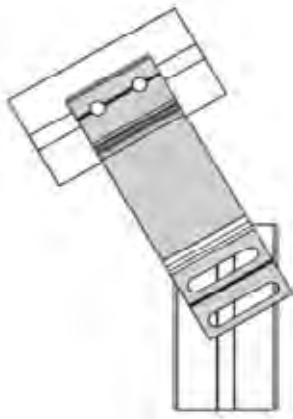
Mounting : FATB-20(2) , FALN-M8(2) , FAHB-M8 x16(2) , FASN-M8(2) , FAFW-M8 (4)



FA SERIES

FAVBS-60KV

Vertical beam support bracket with slot - Aluminium



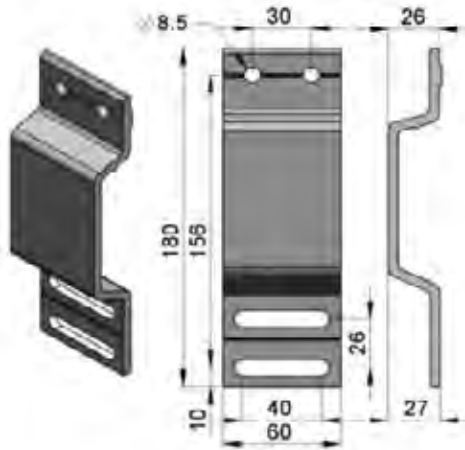
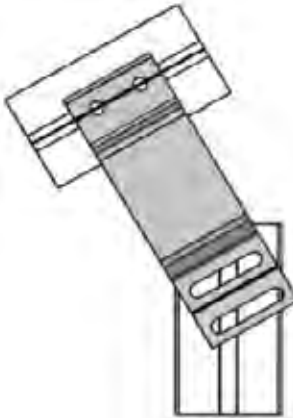
UOM : pc

For FK conveyor with 64mm vertical support beam

Mounting : FATB-20(2) , FALN-M8(2) , FAHB-M8 x16(2) , FASN-M8(2) , FAFW-M8 (4)

FAVBS-60SV

Vertical beam support bracket with slot - Aluminium



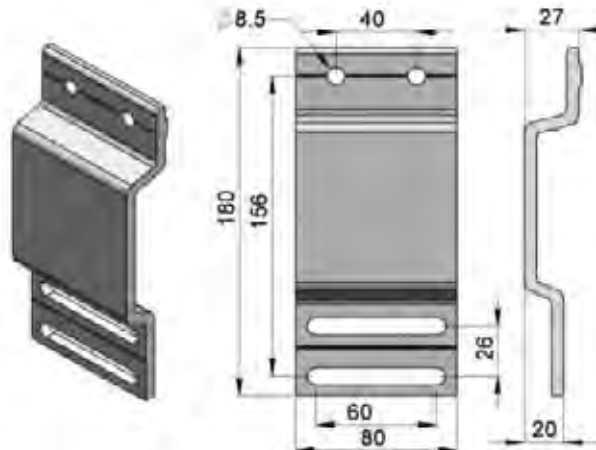
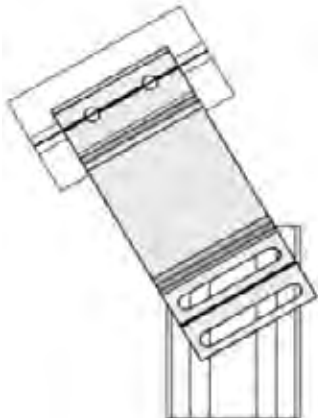
UOM : pc

For FS conveyor with 64mm vertical beam support

Mounting : FATB-20(2) , FALN-M8(2) , FAHB-M8 x16(2) , FASN-M8(2) , FAFW-M8 (4)

FAVBS-80SV

Vertical beam support bracket with slot - Aluminium



UOM : pc

For FS conveyor with 80mm vertical beam support

Mounting : FATB-20(2) , FALN-M8(2) , FAHB-M8 x16(2) , FASN-M8(2) , FAFW-M8 (4)

FAVBS-60MV

Vertical beam support bracket with slot - Aluminium

UOM : pc
For FM conveyor with 64mm vertical support beam

Mounting : FATB-20(2) , FALN-M8(2) , FAHB-M8 x16(2) , FASN-M8(2) , FAFW-M8 (4)

FAVBS-80MV

Vertical beam support bracket with slot - Aluminium

UOM : pc
For FM conveyor with 80mm vertical beam support

Mounting : FATB-20(2) , FALN-M8(2) , FAHB-M8 x16(2) , FASN-M8(2) , FAFW-M8 (4)

FAVBS-60CV

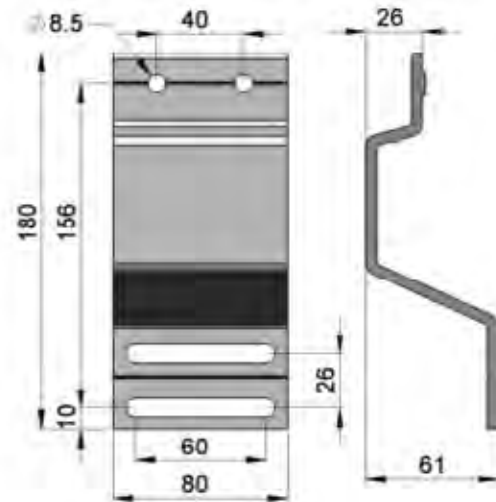
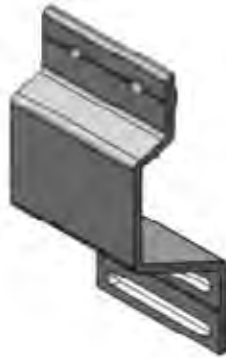
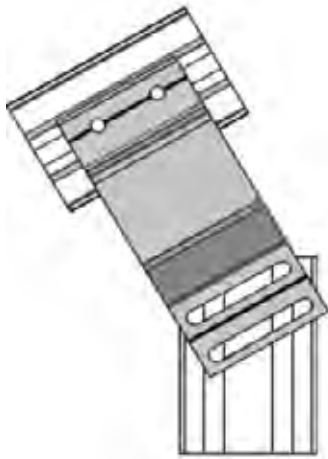
Vertical beam support bracket with slot - Aluminium

UOM : pc
For FC conveyor with 64mm vertical beam support

Mounting : FATB-20(2) , FALN-M8(2) , FAHB-M8 x16(2) , FASN-M8(2) , FAFW-M8 (4)

FAVBS-80LV

Vertical beam support bracket - Aluminium



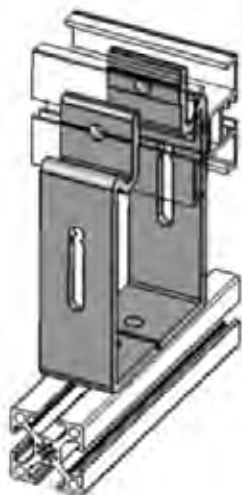
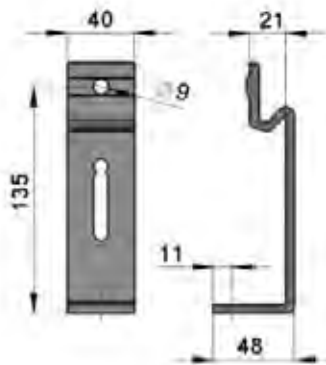
UOM : pc

For FL conveyor with 80mm vertical beam support

Mounting : FATB-20(2) , FALN-M8(2) , FAHB-M8 x16(2) , FASN-M8(2) , FAFW-M8 (4)

FAHBS-40x135

Horizontal beam support bracket - Aluminium

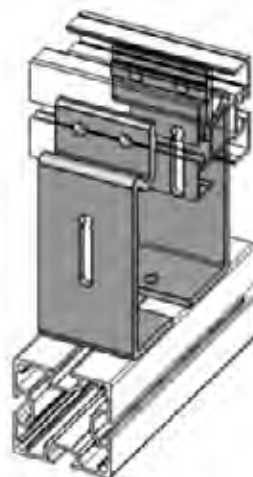
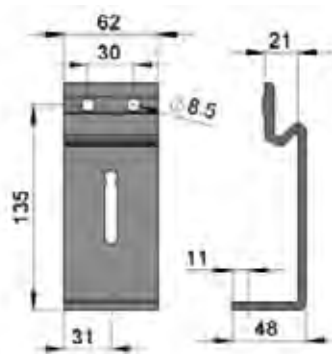


UOM : pc

For 40mm horizontal crossing support beam

FAHBS-62x135

Horizontal beam support bracket - Aluminium

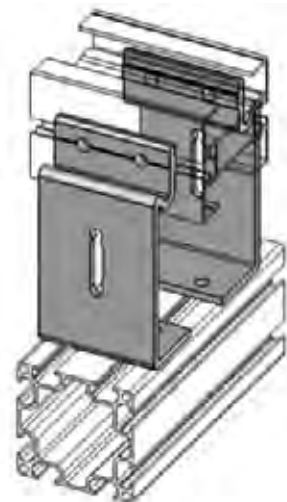
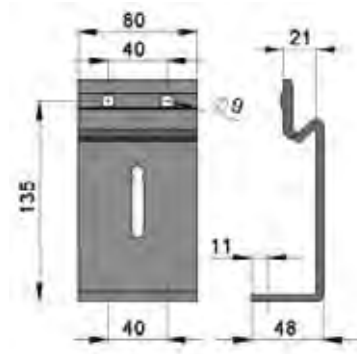


UOM : pc

For 64mm horizontal crossing support beam

FAHBS-80x135

Horizontal beam support bracket - Aluminium

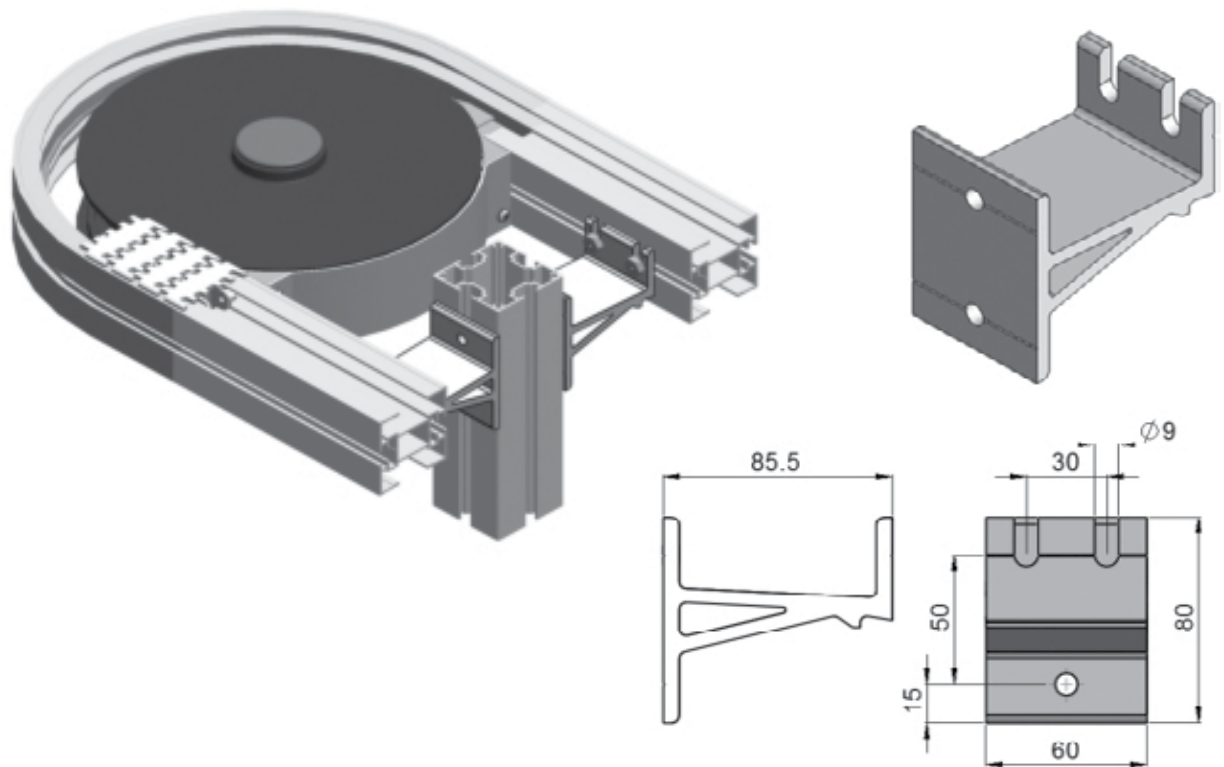


UOM : pc

For 80mm horizontal crossing support beam

FAAL-64

Alpine beam support bracket - Aluminium

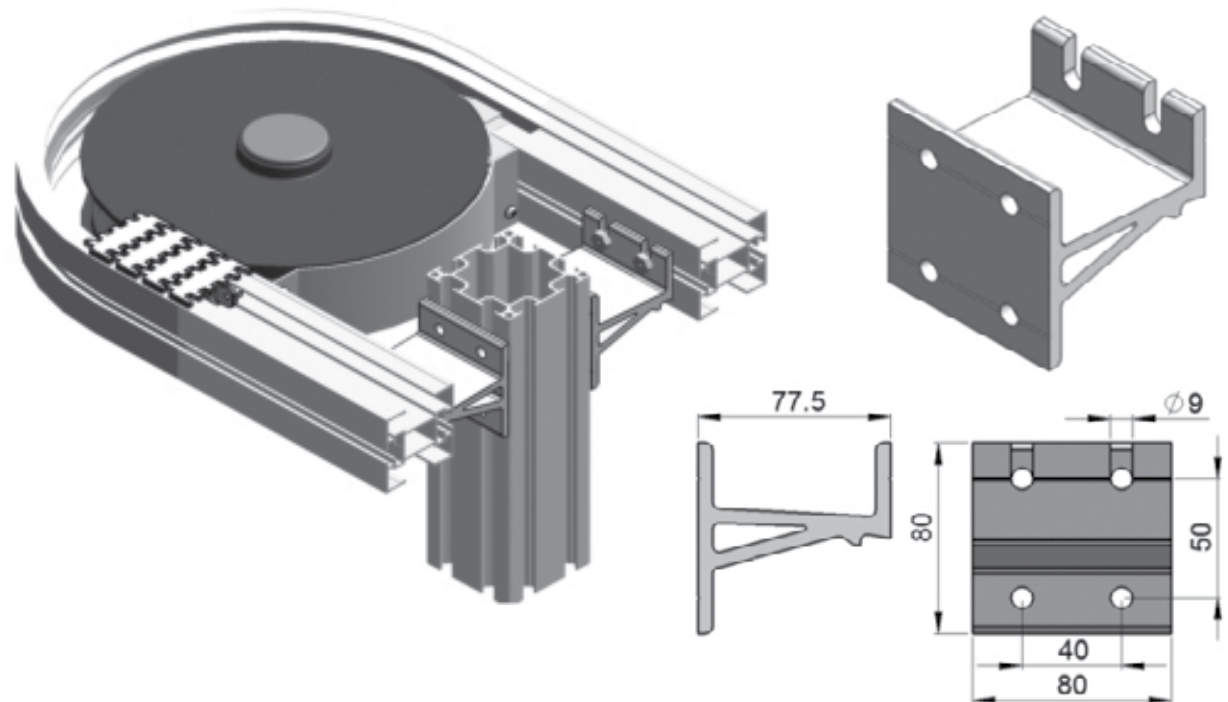


UOM : pc
 For support of 180° wheel bend with 64mm vertical beam support

Mounting : FAHB-M8 x16(4) , FASN-M8(4) , FAFW-M8 (4)

FAAL-80

Alpine beam support bracket - Aluminium

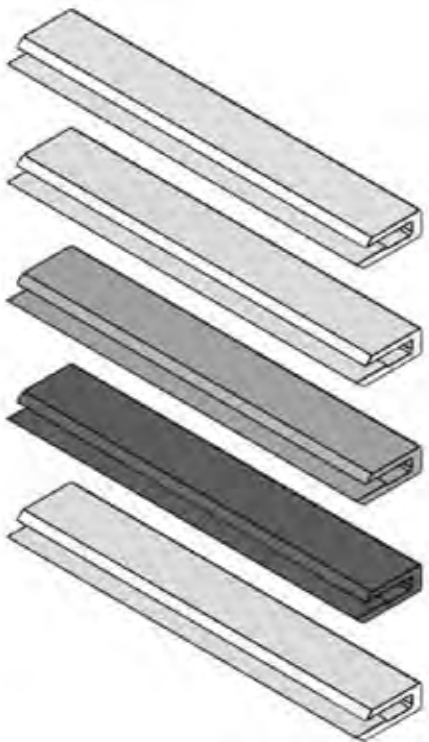


UOM : pc
 For support of 180° wheel bend with 80mm vertical beam support

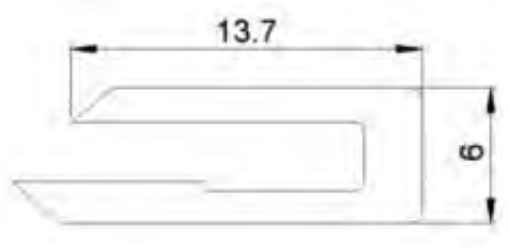
Mounting : FAHB-M8 x16(6) , FASN-M8(6) , FAFW-M8 (6)

FA SERIES

FASR-25	HDPE slide rail - White	"Normal Application"
FASR-25U	UHMW-PE slide rail - White	"Low Friction , suitable for accumulation"
FASR-25X	Special PE slide rail - Blue	"Lowest Friction , suitable for accumulation"
FASR-25A	Conductive slide rail - Black	"For Static sensitive products"
FASR-25P	PVDF slide rail - White	"For Abrasive application"



- FASR-25
- FASR-25U
- FASR-25X
- FASR-25A
- FASR-25P



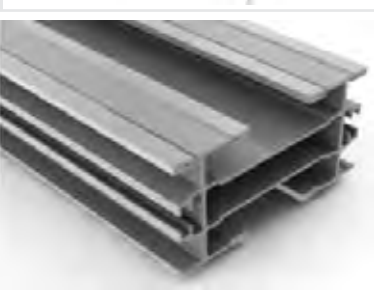
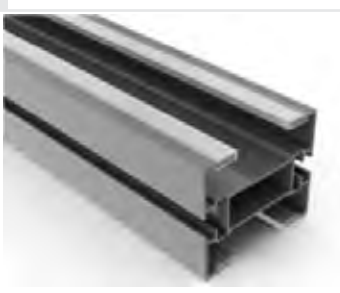
UOM : 25meter / roll

FASLR-4x6 Aluminium rivet for slide Rail

UOM : 50pcs / pk

FASLS-M5 Nylon Set screw for slide rail

UOM : 50pcs / pk



FASR-25KA

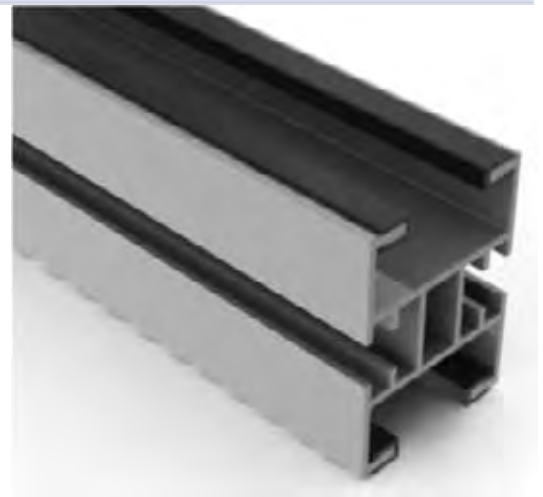
Conductive slide rail

FASR-25KU

UHMW-PE slide rail

FASR-25K

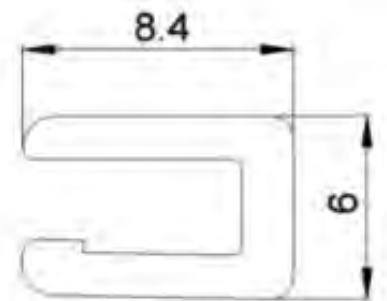
HDPE slide rail



FASR-25KA

FASR-25KU

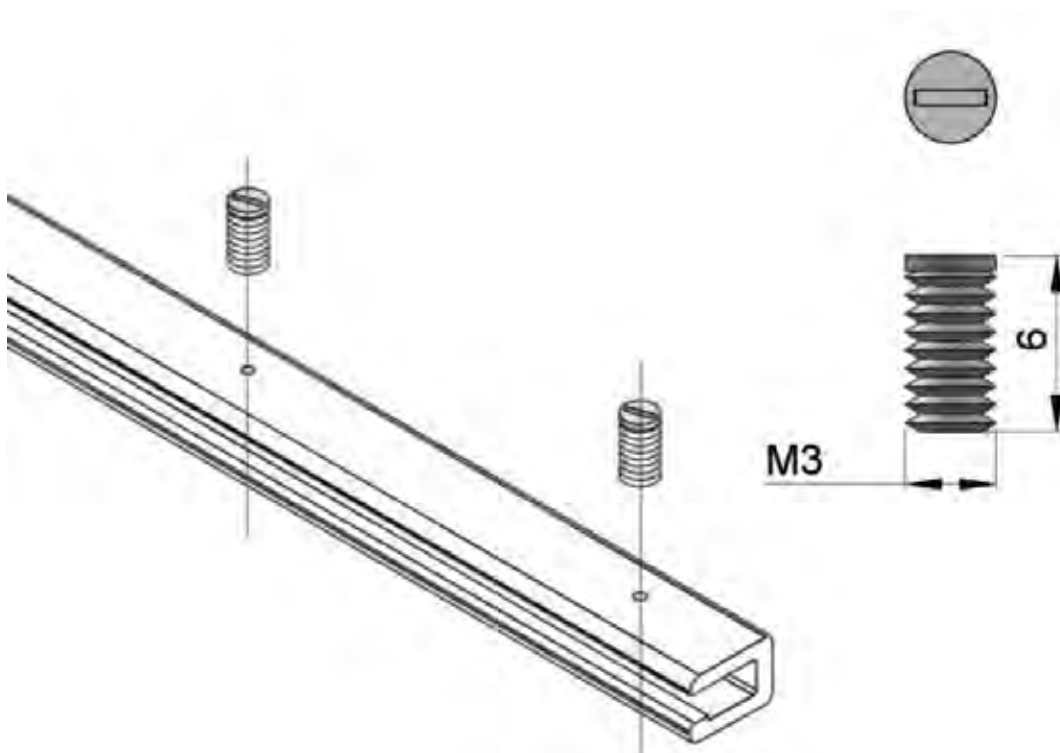
FASR-25K



UOM : 25meter / roll

FASLS-M3

Nylon Set screw for slide rail

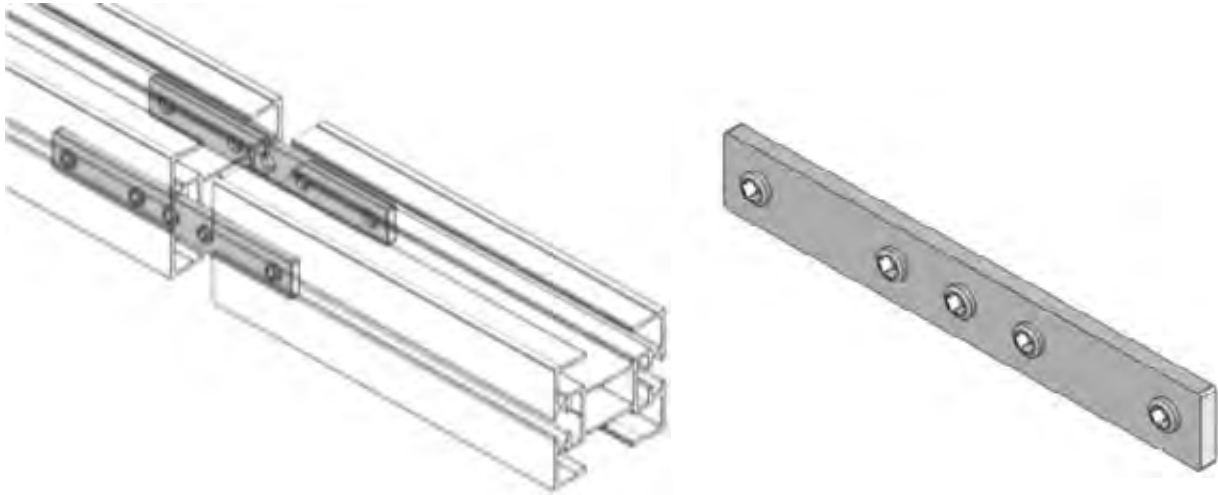
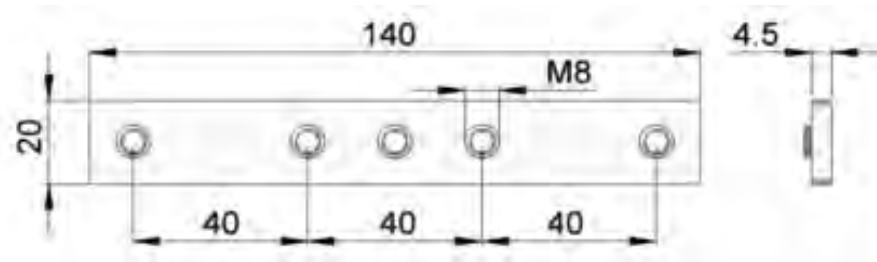


UOM : 50pcs / pk

FA SERIES

FACS-20x140

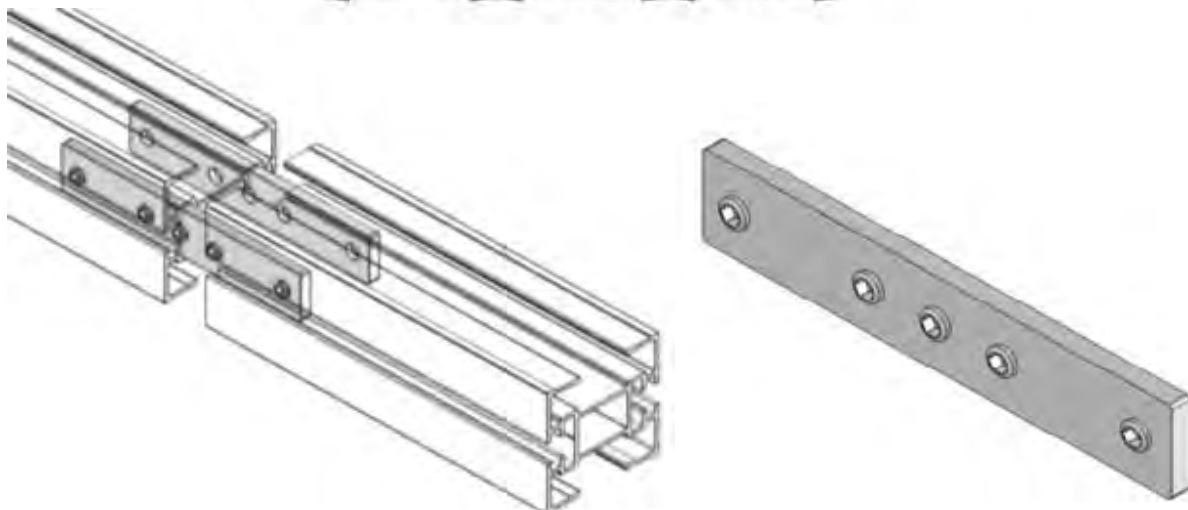
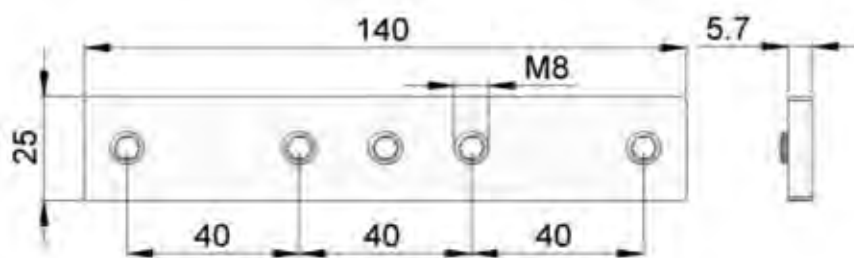
Connecting strip – Steel, electro zinc plated



UOM : 10 pcs / pk

FACS-25x140A

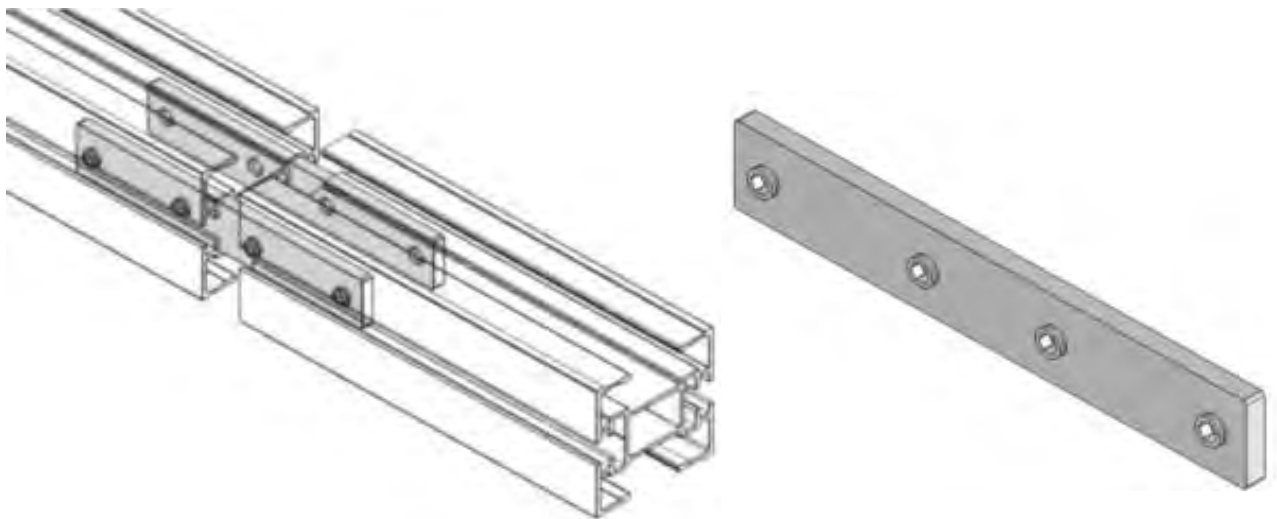
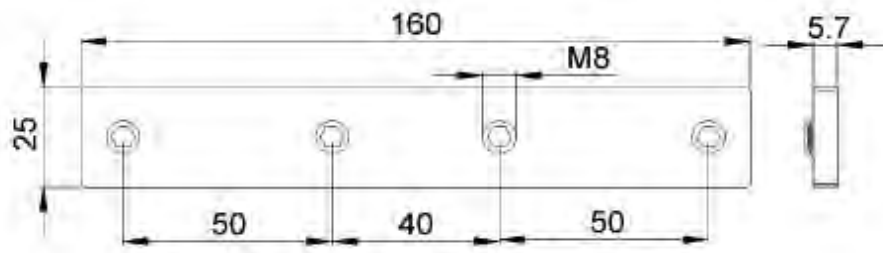
Connecting strip – Steel, electro zinc plated



UOM : 10 pcs / pk

FACS-25x160

Connecting strip – Steel, electro zinc plated



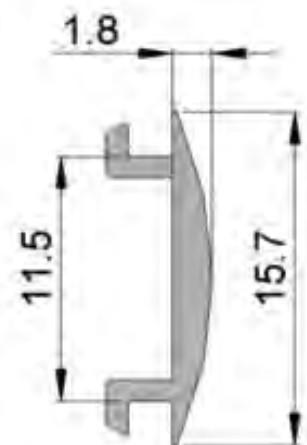
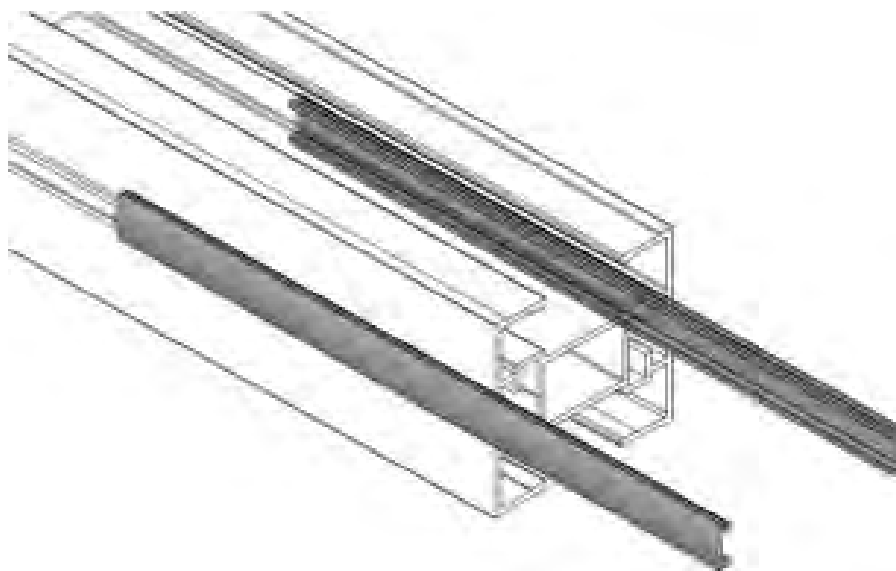
UOM : 10 pcs / pk

FASC-25

T-Slot Cover – Soft PVC (25 meter / Roll)

FASC-3P

T-Slot Cover – Rigid PVC (3 meter / Length)

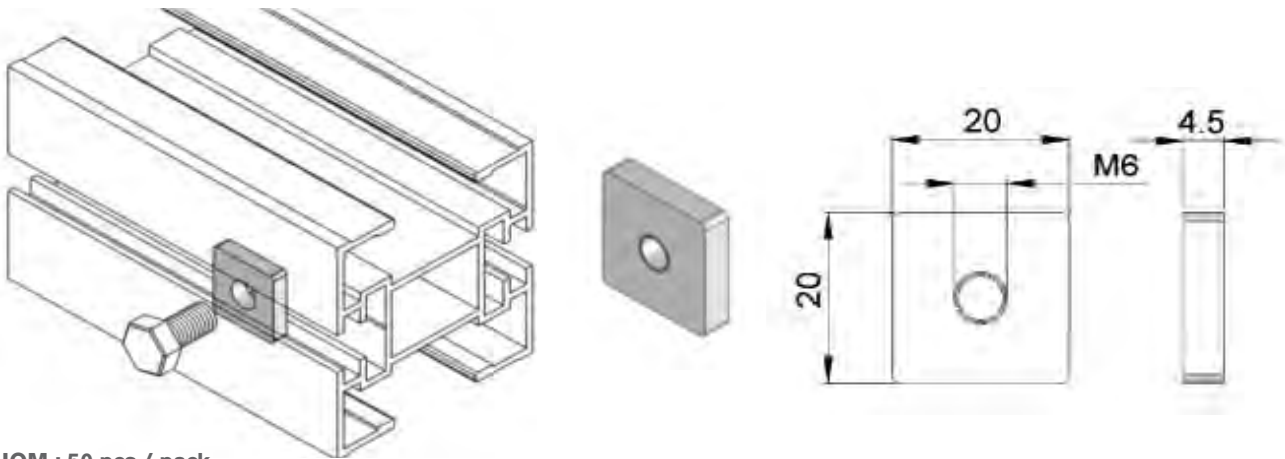


UOM : 25 meter / roll

FA SERIES

FASN-M6

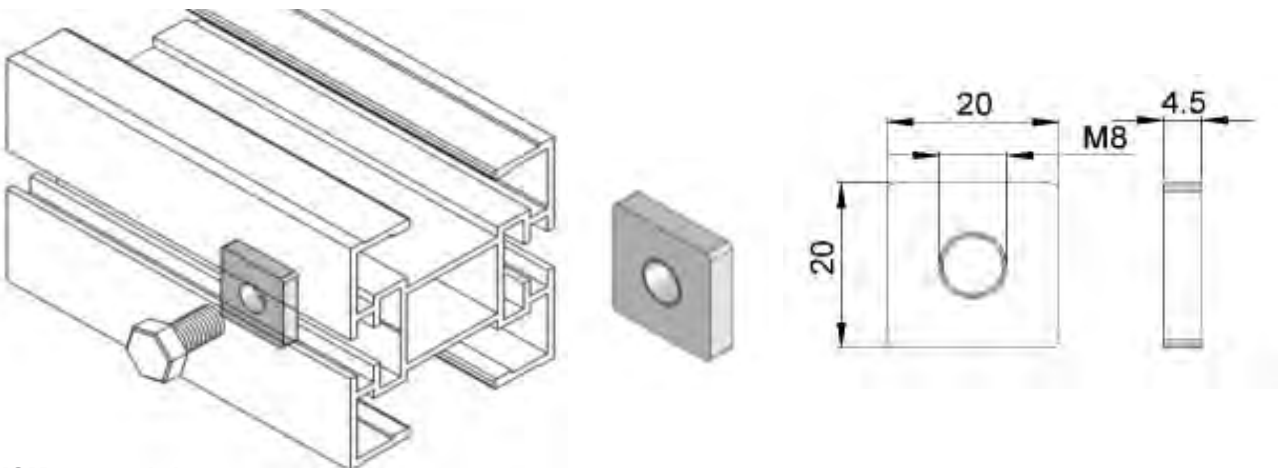
M6 Square Nut for Outer Slot – Steel, electro zinc plated



UOM : 50 pcs / pack

FASN-M8

M8 Square Nut for Inner Slot- Steel, electro zinc plated



UOM : 50 pcs / pk

FATB-20

T-bolt, L = 20 – Steel, zinc plated

FATB-35

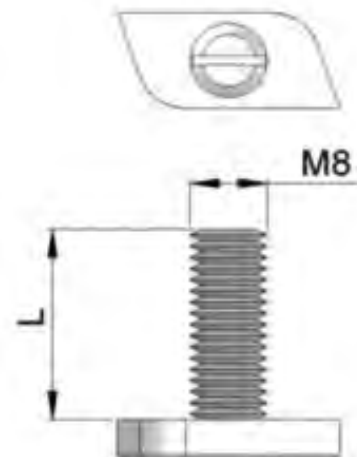
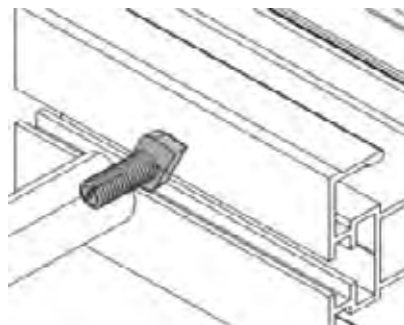
T-bolt, L = 35 – Steel, zinc plated

FATB-53

T-bolt, L = 53 – Steel, zinc plated

FATB-71

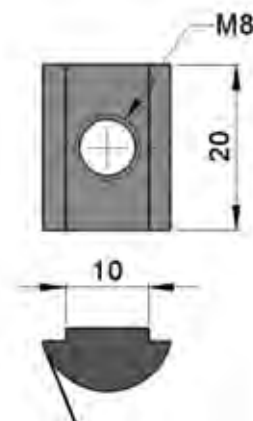
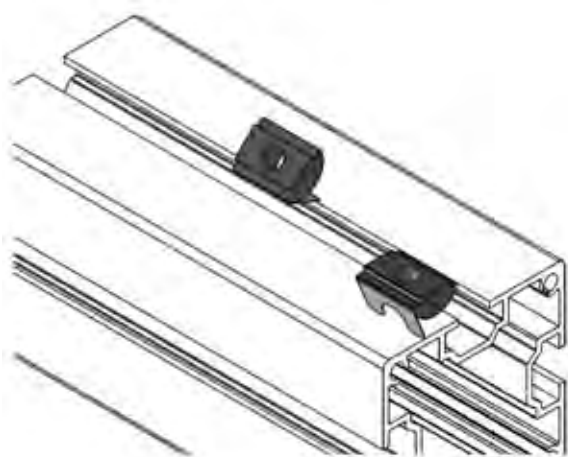
T-bolt, L = 71 – Steel, zinc plated



UOM : 50 pcs / pk

FASL-M8

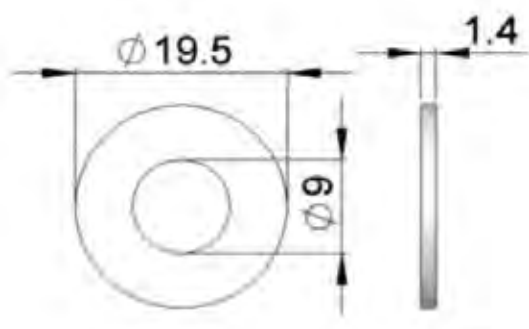
Spring Leaf Nut M8 for 40x40, 64x64 , 40x80, 80x80 Support Beam - Steel, zinc plated



UOM : 50 pcs / pk

FAFW-M8

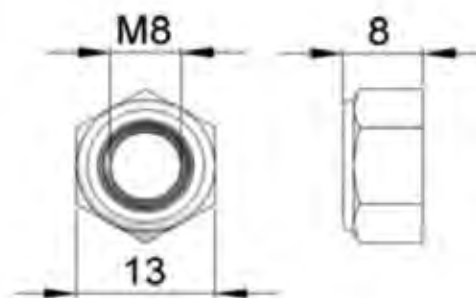
M8 Flat washer- Steel, zinc plated



UOM : 50 pcs / pk

FALN-M8

M8 Lock Nut- Steel, zinc plated



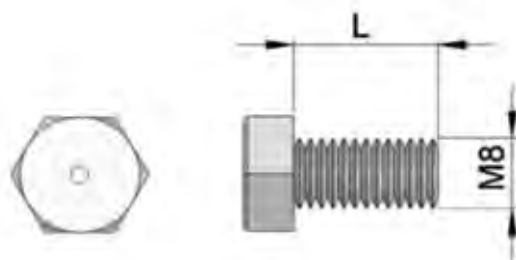
UOM : 50 pcs / pk

FAHB- M8 x 16

FAHB-M8 x 20

Hex bolt, L = 16 – Steel, zinc plated

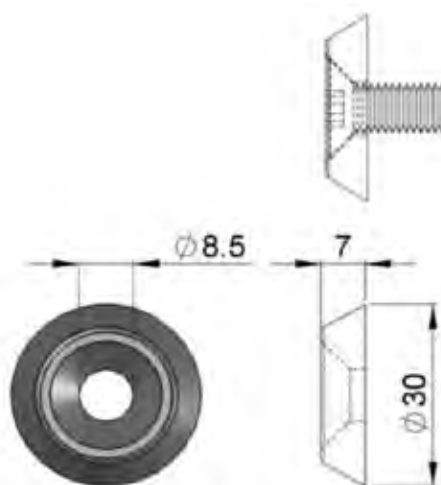
Hex bolt, L = 20 – Steel, zinc plated



UOM : 50 pcs / pk

FACW-M8

Countersunk washer - POM

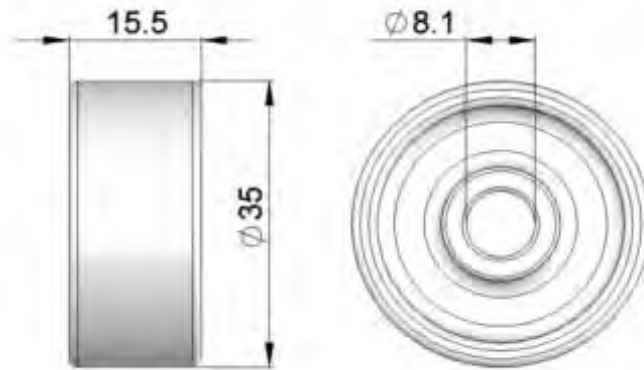


UOM : 10 pcs / pk

FA SERIES

FAFR-35

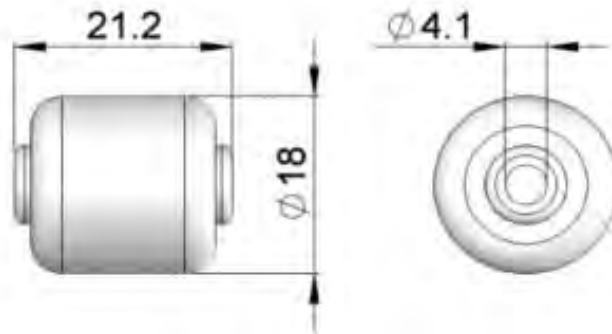
Free roller – POM



UOM : 10 pcs / pk

FAFR-18

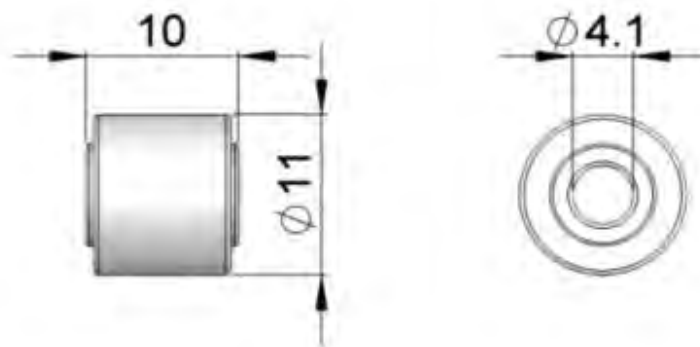
Free roller - POM



UOM : 10 pcs / pk

FAFR-11

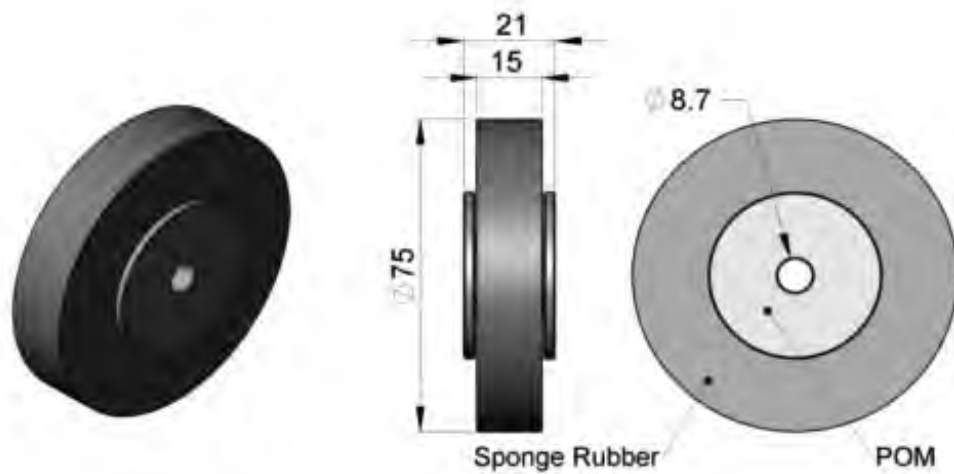
Free roller - POM



UOM : 10 pcs / pk

FASR-75x15

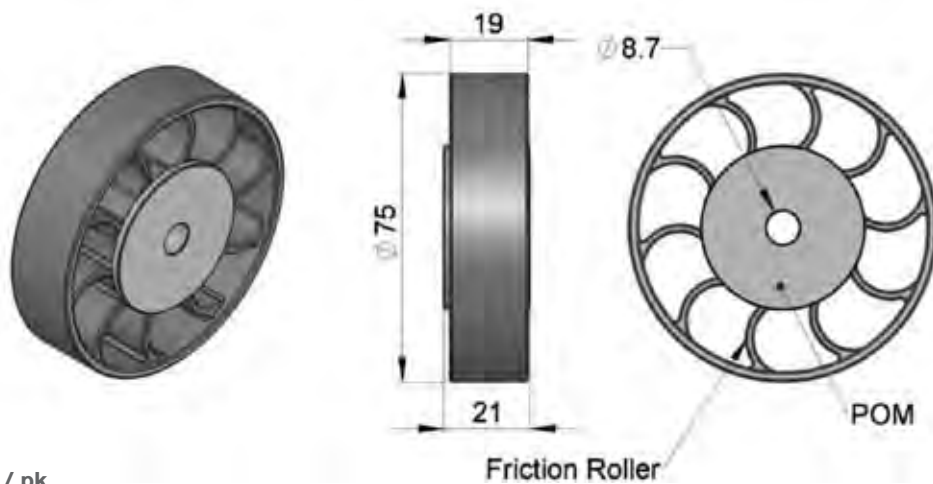
Sponge roller, Sponge rubber



UOM : 10 pcs / pk

FASR-75x19P

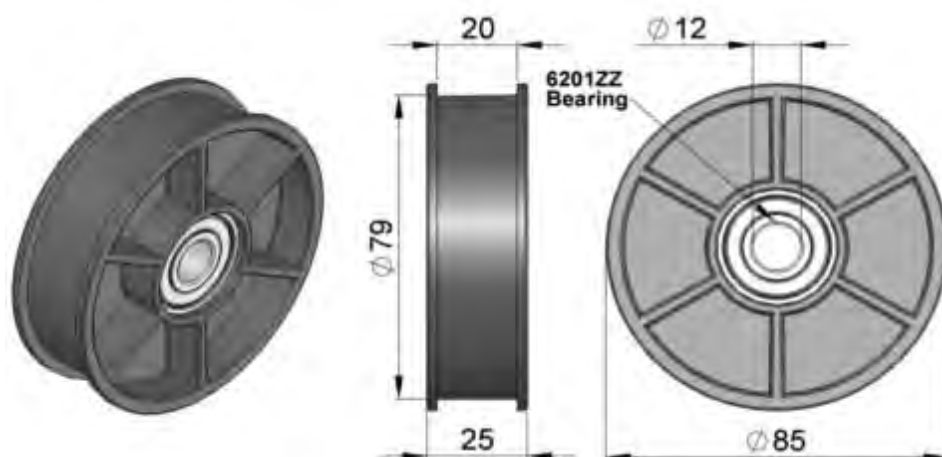
PVC Roller c/w POM core & Screw



UOM : 10 pcs / pk

FAFR-75

Belt Pulley – Polyamide



UOM : 10 pcs / pk

FA SERIES

FAEC-DH

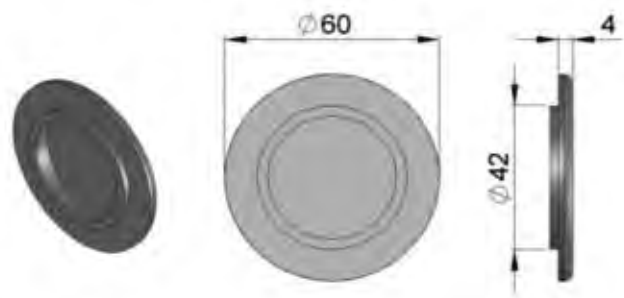
End cap for drive shaft - Polyamide



UOM : 10 pcs / pk

FAEC-WH

End cap for wheel - Polyamide



UOM : 10 pcs / pk