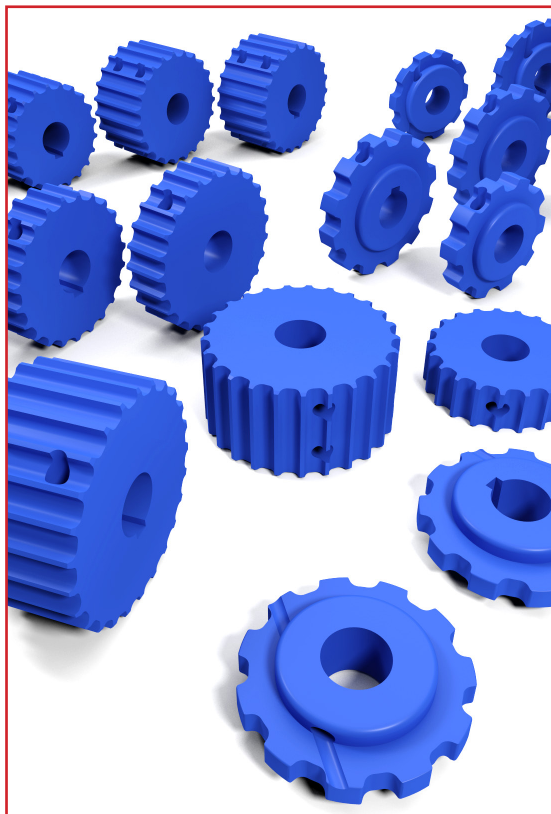
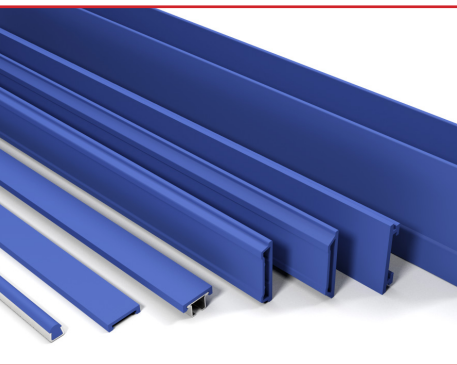


GENERAL CATALOGUE 2026



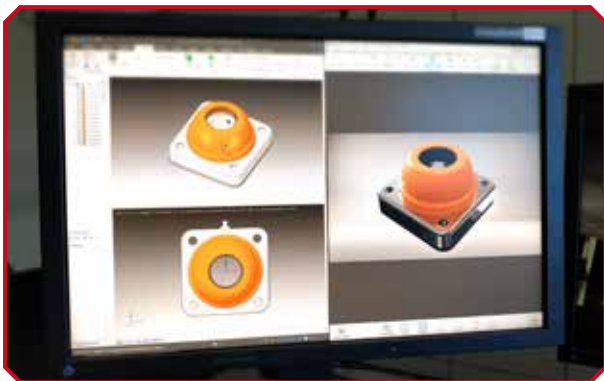
The company



Tecom S.r.l. has got a 30 years experience in the development and production of chains and components for movement and transport.

The articles in the present catalogue are designed, produced and tested in accordance with the best quality standards. Materials and productive process high technology permits to Tecom products at the world top in this field.

The technology



A sophisticated cad/cam system, very modern manufacturing facilities and an efficient storekeeping for finished goods enable us to match very high technology products and maximum reliability.

The flexibility, the high capacity of the productive resources and the warehouse dynamism enable us to guarantee an immediate availability of the products.



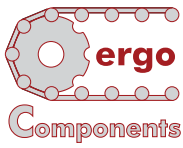
Tecom S.r.l.

Via A.M. Ampère, 43 - 42017 Novellara (RE) - Italy

Tel.: (+39) 0522-651203 Tel.: (+39) 0522-651369

Web: <http://www.tecomsrl.it> e-mail: info@tecomsrl.it

Conveyor components



Conveyor components designed for bottling and food industry, support bases, heads, brackets, guide rail clamps produced in engineering resin and available with stainless steel or zinc plated bolts and nuts.



Special products



Special products on request: chains and accessories, roller chains, cardanic chains, sprockets for chains, corner and straight tracks, etc.



Self-aligning bearing supports



Self-aligning bearing supports made out of engineering resin, resistant to corrosion, ideal for food and pharmaceutical industry.



Supporting and levelling components







Supporting elements made out of engineering resin, zinc plated steel and stainless steel, threaded bushings for round and square tubes, suitable to any kind of application.



Conveyor components

Part.	Pag.	Part.	Pag.	Part.	Pag.	Part.	Pag.	Part.	Pag.	Part.	Pag.	Part.	Pag.	Part.	Pag.	Part.	Pag.
200	10	242	28	285	66	331	94	375	137	419	151	463	144	513	170	558	18
201	10	243	21	286	53	332	44	376	90	420	154	464	122	514	155	559	18
202	11	244	22	287	54	333	46	377	156	421	133	465	123	515	146	560	30
203	11	245	61	288	90	334	41	379	51	422	132	466	123	517	171	561	63
204	165	246	39	289	159	335	102	380	51	423	131	467	118	518	145	562	55
205	165	247	39	290	161	336	102	381	170	424	169	468	114	519	175	563	74
206	50	248	39	291	160	337	41	382	42	425	145	469	154	520	55	564	74
207	13	249	61	293	62	338	41	383	42	426	145	470	46	521	140	565	75
208	12	250	56	294	42	339	132	384	172	427	147	471	182	522	125	566	75
209	27	251	57	296	57	340	129	385	171	428	92	472	70	523	73	567	76
210	15	252	58	297	45	341	129	386	41	429	97	473	70	524	63	568	76
211	13	253	58	299	93	342	130	387	32	430	108	474	114	525	62	569	173
212	12	254	63	300	100	343	130	388	143	431	108	475	115	526	37	570	77
213	17	255	23	301	164	344	133	389	175	432	111	476	115	527	104	571	77
214	19	256	37	302	56	345	131	390	176	433	111	477	118	528	144	572	78
215	21	257	106	303	43	346	162	391	176	434	147	478	119	529	66	573	78
216	19	258	107	304	43	347	162	392	32	435	50	479	119	530	30	574	79
217	20	259	107	305	43	348	163	393	142	436	32	480	122	531	148	575	79
218	22	260	109	306	112	349	163	394	142	437	126	481	127	534	146	576	80
219	23	261	110	307	112	350	42	395	142	438	149	482	123	535	73	577	80
220	27	262	110	308	113	352	95	397	44	439	168	483	161	536	146	578	81
221	36	263	100	310	67	353	152	398	164	440	168	484	161	537	169	579	81
222	36	264	101	311	66	354	150	399	61	441	34	485	155	538	53	580	82
223	37	265	101	312	45	355	120	400	44	442	34	486	28	539	49	581	82
224	29	266	36	313	40	356	120	401	16	443	169	487	29	540	72	582	83
225	29	267	91	314	40	357	121	402	14	444	174	488	25	541	72	583	83
226	38	268	67	315	40	358	121	403	16	446	153	489	26	542	71	584	84
227	38	269	67	316	97	359	91	404	16	448	134	490	25	543	71	585	84
228	38	270	52	317	100	360	105	405	167	449	135	491	26	544	143	586	85
229	159	271	52	318	126	361	183	406	35	450	136	492	177	545	143	587	85
230	159	272	55	319	113	362	183	407	35	451	134	493	128	546	158	588	86
231	160	273	53	320	124	363	183	408	33	452	135	494	128	547	179	589	86
232	160	274	54	321	124	364	183	409	14	453	136	495	181	548	140	590	87
233	104	275	55	322	124	365	184	410	167	454	68	496	181	549	157	591	87
234	104	276	62	323	124	366	184	411	167	455	68	497	181	550	178	592	88
235	31	277	98	324	49	367	184	412	166	456	69	498	182	551	152	593	88
236	31	278	98	325	116	368	184	413	166	457	69	499	182	552	60	594	15
237	48	279	20	326	116	369	185	414	103	458	89	500	142	553	64	595	149
238	49	280	24	327	117	370	185	415	127	459	89	501	138	554	99	596	185
239	47	281	24	328	117	371	185	416	109	460	164	502	138	555	59		
240	48	282	63	329	125	373	151	417	106	461	177	511	148	556	59		
241	47	283	103	330	137	374	96	418	153	462	96	512	172	557	17		







Bases

			
Part. 200	Part. 201	Part. 202	Part. 203
pag. 10	pag. 10	pag. 11	pag. 11





Bearing heads

					
Part. 212	Part. 208	Part. 211	Part. 207	Part. 409	Part. 402
pag. 12	pag. 12	pag. 13	pag. 13	pag. 14	pag. 14



Connecting joints

					
Part. 210	Part. 210	Part. 594	Part. 403	Part. 404	Part. 401
pag. 15	pag. 15	pag. 15	pag. 16	pag. 16	pag. 16






Guide rail brackets

							
Part. 557	Part. 213	Part. 558	Part. 559	Part. 214	Part. 216	Part. 217	Part. 279
pag. 17	pag. 17	pag. 18	pag. 18	pag. 19	pag. 19	pag. 20	pag. 20
							
Part. 215	Part. 243	Part. 218	Part. 244	Part. 219	Part. 255	Part. 280	Part. 281
pag. 21	pag. 21	pag. 22	pag. 22	pag. 23	pag. 23	pag. 24	pag. 24
							
Part. 488	Part. 490	Part. 491	Part. 489	Part. 209	Part. 220	Part. 242	Part. 486
pag. 25	pag. 25	pag. 26	pag. 26	pag. 27	pag. 27	pag. 28	pag. 28
							
Part. 487	Part. 224	Part. 225	Part. 530	Part. 560	Part. 236	Part. 235	Part. 387
pag. 29	pag. 29	pag. 29	pag. 30	pag. 30	pag. 31	pag. 31	pag. 32
							
Part. 392	Part. 436	Part. 408	Part. 408	Part. 442	Part. 441		
pag. 32	pag. 32	pag. 33	pag. 33	pag. 34	pag. 34		

Tightening eyebolts

	
Part. 406 pag. 35	Part. 407 pag. 35












Heads for brackets

					
Part. 222 pag. 36	Part. 221 pag. 36	Part. 266 pag. 36	Part. 223 pag. 37	Part. 256 pag. 37	Part. 526 pag. 37

Knobs and handles

							
Part. 226 pag. 38	Part. 227 pag. 38	Part. 228 pag. 38	Part. 246 pag. 39	Part. 247 pag. 39	Part. 248 pag. 39	Part. 313 pag. 40	Part. 314 pag. 40
							
Part. 315 pag. 40	Part. 386 pag. 41	Part. 334 pag. 41	Part. 337 pag. 41	Part. 338 pag. 41	Part. 382 pag. 42	Part. 383 pag. 42	Part. 350 pag. 42
							
Part. 294 pag. 42	Part. 303 pag. 43	Part. 304 pag. 43	Part. 305 pag. 43	Part. 397 pag. 44	Part. 400 pag. 44	Part. 332 pag. 44	



Clamps

					
Part. 297 pag. 45	Part. 312 pag. 45	Part. 333 pag. 46	Part. 239 pag. 47	Part. 241 pag. 47	Part. 237 pag. 48
					
Part. 240 pag. 48	Part. 539 pag. 49	Part. 238 pag. 49	Part. 324 pag. 49	Part. 206 pag. 50	Part. 435 pag. 50



















































Return rollers

 Part. 379 pag. 51	 Part. 380 pag. 51	 Part. 270 pag. 52	 Part. 271 pag. 52	 Part. 273 pag. 53	 Part. 538 pag. 53	 Part. 286 pag. 53	 Part. 287 pag. 54
 Part. 274 pag. 54	 Part. 275 pag. 55	 Part. 272 pag. 55	 Part. 520 pag. 55	 Part. 562 pag. 55	 Part. 302 pag. 56	 Part. 250 pag. 56	 Part. 251 pag. 57
 Part. 296 pag. 57	 Part. 252 pag. 58	 Part. 253 pag. 58	 Part. 555 pag. 59	 Part. 556 pag. 59	 Part. 552 pag. 60	 Part. 249 pag. 61	 Part. 245 pag. 61
 Part. 399 pag. 61	 Part. 293 pag. 62	 Part. 525 pag. 62	 Part. 276 pag. 62	 Part. 254 pag. 63	 Part. 524 pag. 63	 Part. 282 pag. 63	 Part. 561 pag. 63



Nose over

 Part. 553 pag. 64	 Part. 553 pag. 65
--	--

Idler wheels

 Part. 311 pag. 66	 Part. 529 pag. 66	 Part. 285 pag. 66	 Part. 310 pag. 67	 Part. 268 pag. 67	 Part. 269 pag. 67	 Part. 454 pag. 68	 Part. 455 pag. 68
 Part. 456 pag. 69	 Part. 457 pag. 69	 Part. 473 pag. 70	 Part. 472 pag. 70	 Part. 543 pag. 71	 Part. 542 pag. 71	 Part. 541 pag. 72	 Part. 540 pag. 72
 Part. 523 pag. 73	 Part. 535 pag. 73	 Part. 564 pag. 74	 Part. 563 pag. 74	 Part. 566 pag. 75	 Part. 565 pag. 75	 Part. 568 pag. 76	 Part. 567 pag. 76
 Part. 571 pag. 77	 Part. 570 pag. 77	 Part. 573 pag. 78	 Part. 572 pag. 78	 Part. 575 pag. 79	 Part. 574 pag. 79	 Part. 577 pag. 80	 Part. 576 pag. 80
 Part. 579 pag. 81	 Part. 578 pag. 81	 Part. 581 pag. 82	 Part. 580 pag. 82	 Part. 583 pag. 83	 Part. 582 pag. 83	 Part. 585 pag. 84	 Part. 584 pag. 84
 Part. 587 pag. 85	 Part. 586 pag. 85	 Part. 589 pag. 86	 Part. 588 pag. 86	 Part. 591 pag. 87	 Part. 590 pag. 87	 Part. 593 pag. 88	 Part. 592 pag. 88
 Part. 459 pag. 89	 Part. 458 pag. 89						

Split shaft collars

	Part. 288 pag. 90		Part. 376 pag. 90
---	-------------------	---	-------------------

Shoes

	Part. 267 pag. 91		Part. 359 pag. 91		Part. 428 pag. 92
---	-------------------	---	-------------------	--	-------------------

Accessories for the cross adjustment of the side guides

	Part. 299 pag. 93		Part. 331 pag. 94		Part. 352 pag. 95		Part. 462 pag. 96
	Part. 374 pag. 96		Part. 429 pag. 97		Part. 316 pag. 97		





Chain tensioners

	Part. 277 pag. 98		Part. 278 pag. 98		Part. 554 pag. 99
--	-------------------	--	-------------------	--	-------------------

Bearing supports

	Part. 300 pag. 100		Part. 317 pag. 100		Part. 263 pag. 100		Part. 264 pag. 101		Part. 265 pag. 101
---	--------------------	---	--------------------	---	--------------------	---	--------------------	---	--------------------

Bushings

	Part. 336 pag. 102		Part. 335 pag. 102		Part. 414 pag. 103		Part. 283 pag. 103
---	--------------------	---	--------------------	---	--------------------	---	--------------------

Hinges

	Part. 233 pag. 104		Part. 234 pag. 104		Part. 527 pag. 104
---	--------------------	---	--------------------	---	--------------------
























































































Process control

	Part. 360 pag. 105
---	--------------------

Modular transfer plates

	Part. 257 pag. 106		Part. 417 pag. 106		Part. 258 pag. 107		Part. 259 pag. 107		Part. 430 pag. 108		Part. 431 pag. 108
	Part. 260 pag. 109		Part. 416 pag. 109		Part. 261 pag. 110		Part. 262 pag. 110		Part. 432 pag. 111		Part. 433 pag. 111











Product guides and accessories

 Part. 306 pag. 112	 Part. 307 pag. 112	 Part. 308 pag. 113	 Part. 319 pag. 113	 Part. 468 pag. 114	 Part. 474 pag. 114
 Part. 475 pag. 115	 Part. 476 pag. 115	 Part. 325 pag. 116	 Part. 326 pag. 116	 Part. 327 pag. 117	 Part. 328 pag. 117
 Part. 467 pag. 118	 Part. 477 pag. 118	 Part. 478 pag. 119	 Part. 479 pag. 119	 Part. 355 pag. 120	 Part. 356 pag. 120
 Part. 357 pag. 121	 Part. 358 pag. 121	 Part. 464 pag. 122	 Part. 480 pag. 122	 Part. 482 pag. 123	 Part. 466 pag. 123
 Part. 465 pag. 123	 Part. 320 pag. 124	 Part. 321 pag. 124	 Part. 322 pag. 124	 Part. 323 pag. 124	 Part. 329 pag. 125
 Part. 522 pag. 125	 Part. 318 pag. 126	 Part. 437 pag. 126	 Part. 415 pag. 127	 Part. 481 pag. 127	 Part. 493 pag. 128
 Part. 494 pag. 128	 Part. 340 pag. 129	 Part. 341 pag. 129	 Part. 342 pag. 130	 Part. 343 pag. 130	 Part. 345 pag. 131
 Part. 423 pag. 131	 Part. 339 pag. 132	 Part. 422 pag. 132	 Part. 344 pag. 133	 Part. 421 pag. 133	 Part. 448 pag. 134
 Part. 451 pag. 134	 Part. 449 pag. 135	 Part. 452 pag. 135	 Part. 450 pag. 136	 Part. 453 pag. 136	 Part. 330 pag. 137
 Part. 375 pag. 137	 Part. 502 pag. 138	 Part. 501 pag. 138	 Part. 501 pag. 138	 Part. 501 pag. 139	 Part. 501 pag. 139
 Part. 500 pag. 142	 Part. 393 pag. 142	 Part. 394 pag. 142	 Part. 395 pag. 142	 Part. 388 pag. 143	 Part. 544 pag. 143
 Part. 545 pag. 143	 Part. 463 pag. 144	 Part. 528 pag. 144	 Part. 426 pag. 145	 Part. 425 pag. 145	 Part. 518 pag. 145
 Part. 536 pag. 146	 Part. 515 pag. 146	 Part. 534 pag. 146	 Part. 511 pag. 148	 Part. 438 pag. 149	 Part. 595 pag. 149
 Part. 354 pag. 150	 Part. 419 pag. 151	 Part. 373 pag. 151	 Part. 551 pag. 152	 Part. 353 pag. 152	 Part. 596 pag. 185
 Part. 369 pag. 185	 Part. 370 pag. 185	 Part. 371 pag. 185			

Guide rail clamps

 Part. 470 pag. 46	 Part. 521 pag. 140	 Part. 548 pag. 140	 Part. 548 pag. 141	 Part. 548 pag. 141	 Part. 548 pag. 141	 Part. 427 pag. 147	 Part. 434 pag. 147
 Part. 531 pag. 148	 Part. 229 pag. 159	 Part. 230 pag. 159	 Part. 289 pag. 159	 Part. 231 pag. 160	 Part. 232 pag. 160	 Part. 291 pag. 160	 Part. 483 pag. 161
 Part. 484 pag. 161	 Part. 290 pag. 161	 Part. 346 pag. 162	 Part. 347 pag. 162	 Part. 348 pag. 163	 Part. 349 pag. 163	 Part. 301 pag. 164	 Part. 460 pag. 164
 Part. 398 pag. 164	 Part. 204 pag. 165	 Part. 205 pag. 165	 Part. 412 pag. 166	 Part. 413 pag. 166	 Part. 410 pag. 167	 Part. 411 pag. 167	 Part. 405 pag. 167
 Part. 440 pag. 168	 Part. 439 pag. 168	 Part. 424 pag. 169	 Part. 443 pag. 169	 Part. 537 pag. 169			

Product / chain guides and accessories

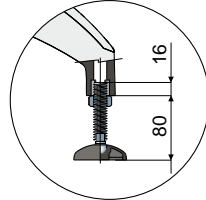
 Part. 418 pag. 153	 Part. 446 pag. 153	 Part. 469 pag. 154	 Part. 420 pag. 154	 Part. 514 pag. 155	 Part. 485 pag. 155
 Part. 549 pag. 157	 Part. 546 pag. 158	 Part. 550 pag. 178	 Part. 547 pag. 179		

Chain guides and accessories

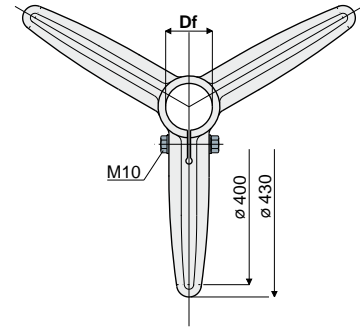
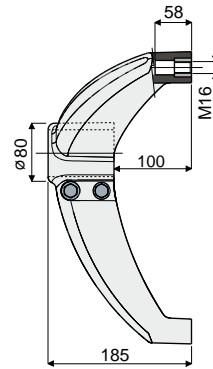
 Part. 377 pag. 156	 Part. 381 pag. 170	 Part. 513 pag. 170	 Part. 385 pag. 171	 Part. 517 pag. 171	 Part. 512 pag. 172
 Part. 384 pag. 172	 Part. 569 pag. 173	 Part. 444 pag. 174	 Part. 389 pag. 175	 Part. 519 pag. 175	 Part. 390 pag. 176
 Part. 391 pag. 176	 Part. 461 pag. 177	 Part. 492 pag. 177	 Part. 496 pag. 181	 Part. 495 pag. 181	 Part. 497 pag. 181
 Part. 471 pag. 182	 Part. 498 pag. 182	 Part. 499 pag. 182	 Part. 361 pag. 183	 Part. 362 pag. 183	 Part. 363 pag. 183
 Part. 364 pag. 183	 Part. 365 pag. 184	 Part. 366 pag. 184	 Part. 367 pag. 184	 Part. 368 pag. 184	

Bases

Part. 200 Support base (tripod)



Max protrusion advised



Df Bore for tubes of		Zinc plated steel bolts and nuts	Stainless steel AISI 304 bolts and nuts	Tube unthreading load (N)	Max static load allowed (N)
(mm)	(Inches)	Code	Code		
60,3	2" GAS	200 / 80588	200 / 80589	9600	15800
50,8	2" IMPERIAL	200 / 82070	200 / 82071		
48,3	1" 1/2 GAS	200 / 80590	200 / 80591		
42,4	1" 1/4 GAS	200 / 80592	200 / 80593		
40x40	square tube	200 / 85108	200 / 85109		
45x45	square tube	200 / 80271	200 / 80753		

MATERIALS: Base made of reinforced polyamide black colour; threaded bushing made of nickel plated brass; fixing bolts and nuts made of stainless steel AISI 304 or zinc plated steel.

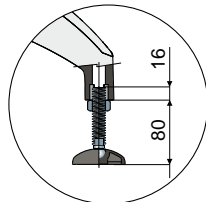
FEATURES: Max tightening torque 3,6 Kg-m.

BOX QUANTITY: 8 pieces.

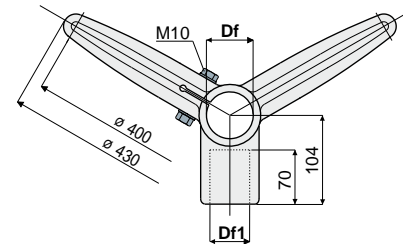
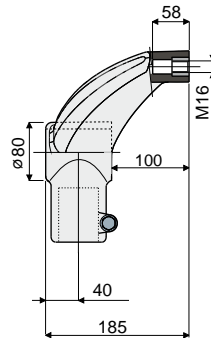
ON REQUEST:

- Bases: In different colours.
- Assembling of: Bolts and nuts.
- Box quantity: According to your request.

Part. 201 Support base (bipod at 120°)



Max protrusion advised



Df Bore for tubes of		Df1 Bore for tubes of		Zinc plated steel bolts and nuts	Stainless steel AISI 304 bolts and nuts	Tube unthreading load (N)	Max static load allowed (N)
(mm)	(Inches)	(mm)	(Inches)	Code	Code		
60,3	2" GAS	48,3	1" 1/2 GAS	201 / 80612	201 / 80613	9600	15800
60,3	2" GAS	42,4	1" 1/4 GAS	201 / 80614	201 / 80615		
50,8	2" IMPERIAL	48,3	1" 1/2 GAS	201 / 83200	201 / 83201		
50,8	2" IMPERIAL	42,4	1" 1/4 GAS	201 / 83202	201 / 83203		
48,3	1" 1/2 GAS	48,3	1" 1/2 GAS	201 / 80616	201 / 80617		
48,3	1" 1/2 GAS	42,4	1" 1/4 GAS	201 / 80618	201 / 80619		
42,4	1" 1/4 GAS	42,4	1" 1/4 GAS	201 / 80620	201 / 80621		

MATERIALS: Base made of reinforced polyamide black colour; threaded bushing made of nickel plated brass; fixing bolts and nuts made of stainless steel AISI 304 or zinc plated steel.

FEATURES: Max tightening torque 3,6 Kg-m.

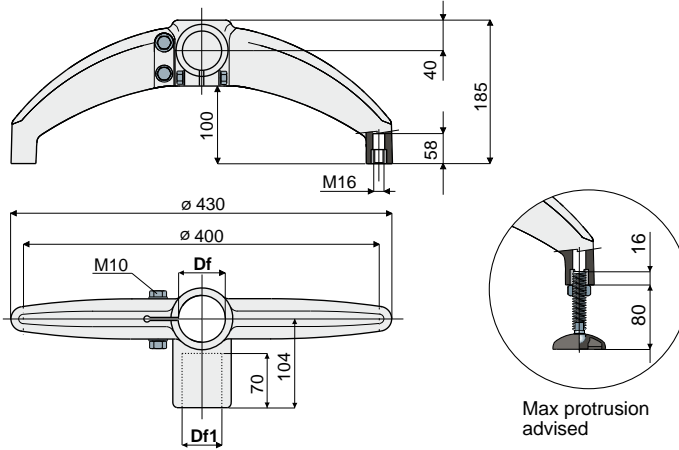
BOX QUANTITY: 8 pieces.

ON REQUEST:

- Bases: In different colours.
- Assembling of: Bolts and nuts.
- Box quantity: According to your request.

Imperial inch dimensions conform to the British Imperial system; GAS inch dimensions comply with ANSI B36.10

Bases



Support base
(bipod at 180°)

Part. **202**



Df	Df1	Zinc plated steel bolts and nuts	Stainless steel AISI 304 bolts and nuts	Tube unthreading load (N)	Max static load allowed (N)
Bore for tubes of (mm)	Bore for tubes of (Inches)	Code	Code		
60,3	2" GAS	202 / 80622	202 / 80623		
60,3	2" GAS	202 / 80624	202 / 80625		
50,8	2" IMPERIAL	202 / 83204	202 / 83205		
50,8	2" IMPERIAL	202 / 83206	202 / 83207	9600	15800
48,3	1" 1/2 GAS	202 / 80626	202 / 80627		
48,3	1" 1/2 GAS	202 / 80628	202 / 80629		
42,4	1" 1/4 GAS	202 / 80630	202 / 80631		

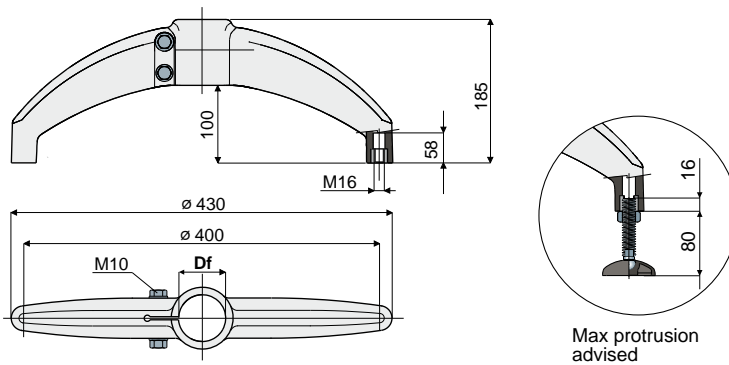
MATERIALS: Base made of reinforced polyamide black colour; threaded bushing made of nickel plated brass; fixing bolts and nuts made of stainless steel AISI 304 or zinc plated steel.

FEATURES: Max tightening torque 3,6 Kg·m.

BOX QUANTITY: 8 pieces.

ON REQUEST:

- Bases: In different colours.
- Assembling of: Bolts and nuts.
- Box quantity: According to your request.



Support base
(bipod at 180°)

Part. **203**



Df	Zinc plated steel bolts and nuts	Stainless steel AISI 304 bolts and nuts	Tube unthreading load (N)	Max static load allowed (N)
Bore for tubes of (mm)	Code	Code		
60,3	203 / 80632	203 / 80633		
50,8	203 / 82998	203 / 82999		
48,3	203 / 80634	203 / 80635	9600	15800
42,4	203 / 80636	203 / 80637		

MATERIALS: Base made of reinforced polyamide black colour; threaded bushing made of nickel plated brass; fixing bolts and nuts made of stainless steel AISI 304 or zinc plated steel.

FEATURES: Max tightening torque 3,6 Kg·m.

BOX QUANTITY: 8 pieces.

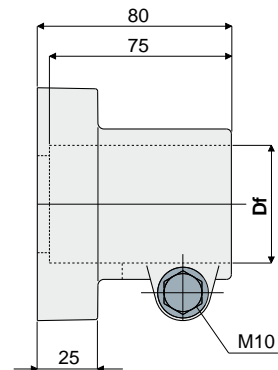
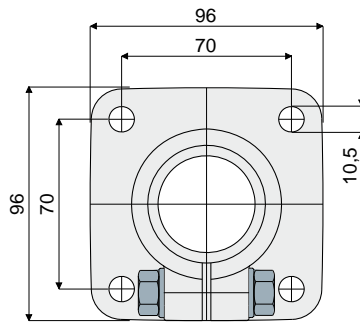
ON REQUEST:

- Bases: In different colours.
- Assembling of: Bolts and nuts.
- Box quantity: According to your request.

Imperial inch dimensions conform to the British Imperial system; GAS inch dimensions comply with ANSI B36.10

Bearing heads

Part. 212 Bearing head



Df Bore for tubes of	Zinc plated steel bolts and nuts	Stainless steel AISI 304 bolts and nuts
(mm)	(Inches)	Code
48,3	1" 1/2 GAS	212 / 80650
50,8	2" IMPERIAL	212 / 83208

MATERIALS: Bearing head made of reinforced polyamide black colour; bolts and nuts made of stainless steel AISI 304 or zinc plated steel.

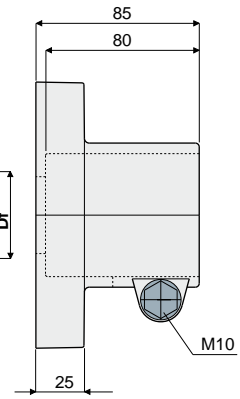
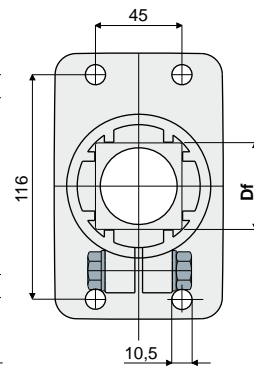
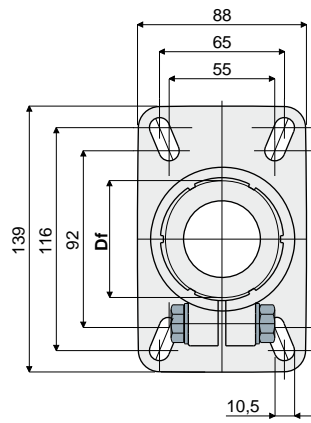
FEATURES: Max tightening torque 3,6 Kg-m.

BOX QUANTITY: 8 pieces.

ON REQUEST:

- Bearing heads: In different colours.
- Assembling of: Bolts and nuts.
- Box quantity: According to your request.

Part. 208 Bearing head



For round tubes

For square tubes

Df Bore for tubes of	Zinc plated steel bolts and nuts	Stainless steel AISI 304 bolts and nuts
(mm)	(Inches)	Code
60,3	2" GAS	208 / 80764
50,8	2" IMPERIAL	208 / 82072
48,3	1" 1/2 GAS	208 / 80766
42,4	1" 1/4 GAS	208 / 80768
40x40	square tube	208 / 85110
45x45	square tube	208 / 80770

MATERIALS: Bearing head made of reinforced polyamide black colour; bolts and nuts made of stainless steel AISI 304 or zinc plated steel.

FEATURES: Max tightening torque 3,6 Kg-m.

BOX QUANTITY: 8 pieces.

ON REQUEST:

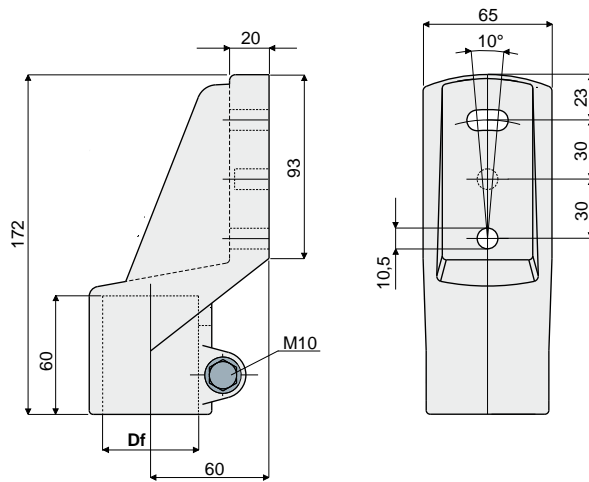
- Bearing heads: In different colours.
- Assembling of: Bolts and nuts.
- Box quantity: According to your request.

Imperial inch dimensions conform to the British Imperial system; GAS inch dimensions comply with ANSI B36.10

Bearing heads

Side mounting top bracket

Part. **211**



Df Bore for tubes of		Zinc plated steel bolts and nuts	Stainless steel AISI 304 bolts and nuts
(mm)	(Inches)	Code	Code
48,3	1" 1/2 GAS	211 / 80648	211 / 80649

MATERIALS: Top bracket made out of reinforced polyamide black colour; bolts and nuts made out of stainless steel AISI 304 or zinc plated steel.

FEATURES: Max tightening torque 3,6 Kg·m.

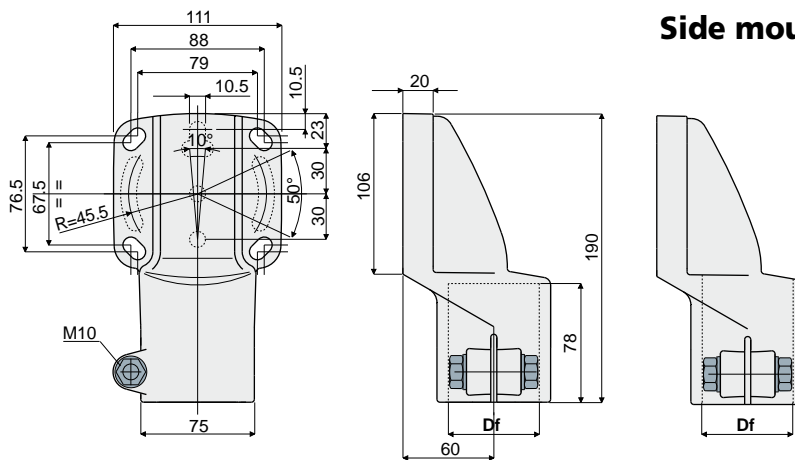
BOX QUANTITY: 8 pieces.

ON REQUEST:

- Top brackets: In different colours.
- Assembling of: Bolts and nuts.
- Box quantity: According to your request.

Side mounting top bracket

Part. **207**



Df Bore for tubes of		Zinc plated steel bolts and nuts	Stainless steel AISI 304 bolts and nuts
(mm)	(Inches)	Code	Code
60,3	2" GAS	207 / 80790	207 / 80791
50,8	2" IMPERIAL	207 / 83210	207 / 83211
48,3	1" 1/2 GAS	207 / 80792	207 / 80793
42,4	1" 1/4 GAS	207 / 80794	207 / 80795
40x40	square tube	207 / 85112	207 / 85113
45x45	square tube	207 / 80796	207 / 80797
48,3	through hole	207 / 82632	207 / 82633

MATERIALS: Top bracket made of reinforced polyamide black colour; bolts and nuts made of stainless steel AISI 304 or zinc plated steel.

FEATURES: Max tightening torque 3,6 Kg·m.

BOX QUANTITY: 8 pieces.

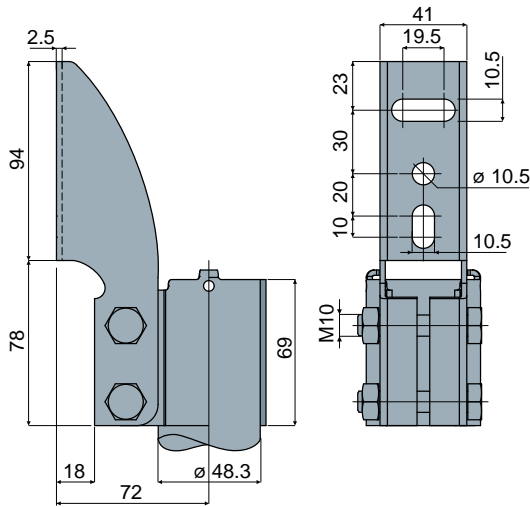
ON REQUEST:

- Top brackets: In different colours.
- Assembling of: Bolts and nuts.
- Box quantity: According to your request.

Imperial inch dimensions conform to the British Imperial system; GAS inch dimensions comply with ANSI B36.10

Bearing heads

Part. 409 Side mounting top bracket



Code
409 / 84440

MATERIALS: Top bracket bolts and nuts made of stainless steel AISI 304.

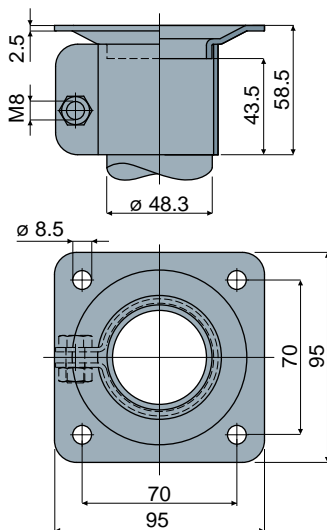
FEATURES: Supplied complete with bolts and nuts.

BOX QUANTITY: 8 pieces.

ON REQUEST:

- Assembly of: Bolts and nuts.
- Box quantity: According to your request.

Part. 402 Bearing head



Code
402 / 84324

MATERIALS: Bearing head bolts and nuts made of stainless steel AISI 304.

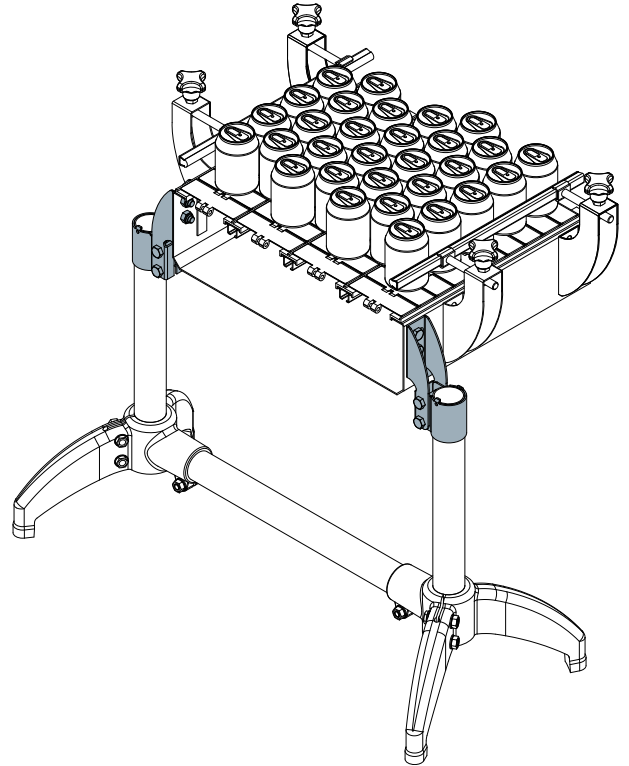
FEATURES: Supplied complete with bolts and nuts.

BOX QUANTITY: 8 pieces.

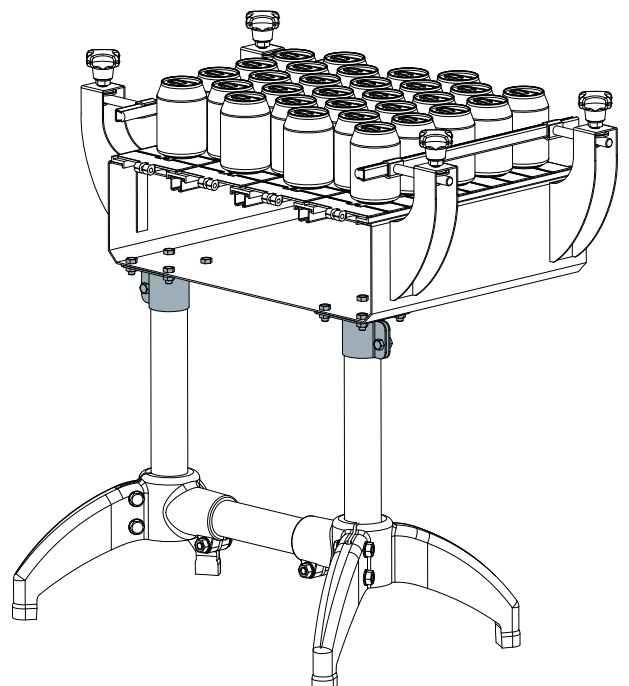
ON REQUEST:

- Assembly of: Bolts and nuts.
- Box quantity: According to your request.

Example of application



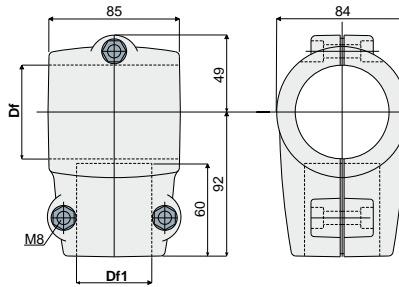
Example of application



Connecting joints

Connection joint for round tubes Part. 210

Df	Df1	Zinc plated steel bolts and nuts	Stainless steel AISI 304 bolts and nuts
Bore for tubes of (mm)	Bore for tubes of (Inches)	Code	Code
60,3	2" GAS	210 / 80638	210 / 80639
60,3	2" GAS	210 / 80640	210 / 80641
48,3	1" 1/2 GAS	210 / 80642	210 / 80643
48,3	1" 1/2 GAS	210 / 80644	210 / 80645
42,4	1" 1/4 GAS	210 / 80646	210 / 80647



MATERIALS: Joint made of reinforced polyamide black colour; bolts and nuts made of stainless steel AISI 304 or zinc plated steel.

FEATURES: Max tightening torque 2 Kg-m.

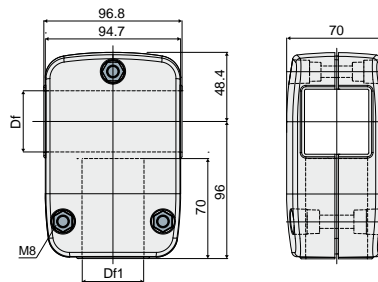
BOX QUANTITY: 8 pieces.

ON REQUEST:

- Joints: In different colours.
- **Assembling of:** Bolts and nuts.
- **Box quantity:** According to your request.

Connection joint for square tubes Part. 210

Df	Df1	Zinc plated steel bolts and nuts	Stainless steel AISI 304 bolts and nuts
Bore for tubes of (mm)	Bore for tubes of (mm)	Code	Code
40x40	40x40	210 / 85114	210 / 85115
45x45	45x45	210 / 84132	210 / 84133



MATERIALS: Joint made of reinforced polyamide black colour; bolts and nuts made of stainless steel AISI 304 or zinc plated steel.

FEATURES: Max tightening torque 2 Kg-m.

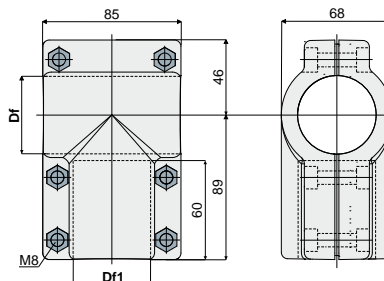
BOX QUANTITY: 8 pieces.

ON REQUEST:

- Joints: In different colours.
- **Assembling of:** Bolts and nuts.
- **Box quantity:** According to your request.

Connection joint for round tubes Part. 594

Df	Df1	Zinc plated steel bolts and nuts	Stainless steel AISI 304 bolts and nuts
Bore for tubes of (mm)	Bore for tubes of (Inches)	Code	Code
48,3	1" 1/2 GAS	594 / 91036	594 / 91037



MATERIALS: Joint made of reinforced polyamide black colour; bolts and nuts made of stainless steel AISI 304 or zinc plated steel.

FEATURES: Max tightening torque 2 Kg-m.

BOX QUANTITY: 8 pieces.

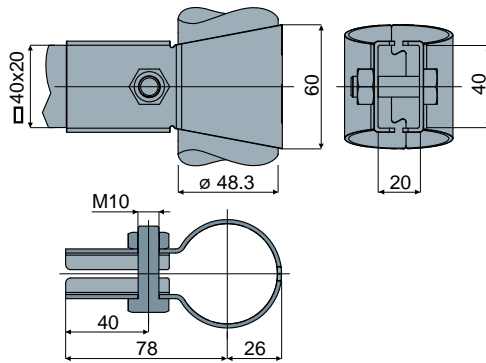
ON REQUEST:

- Joints: In different colours.
- **Box quantity:** According to your request.
- **Assembling of:** Bolts and nuts.

Imperial inch dimensions conform to the British Imperial system; GAS inch dimensions comply with ANSI B36.10

Connecting joints

Part. 403 Connection joint



Code
403 / 84325

MATERIALS: Joint, screw and nut made of stainless steel AISI 304.

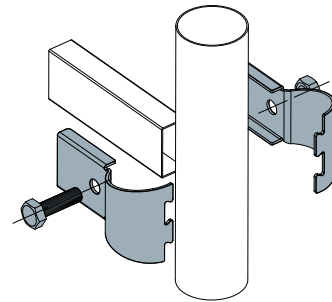
FEATURES: Supplied complete with bolts and nuts.

BOX QUANTITY: 8 pieces.

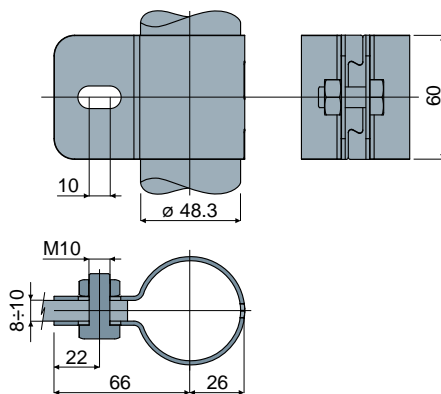
ON REQUEST:

- Assembly of: Bolts and nuts.
- Box quantity: According to your request.

Example of application



Part. 404 Connection joint



Code
404 / 84326

MATERIALS: Joint, screw and nut made of stainless steel AISI 304.

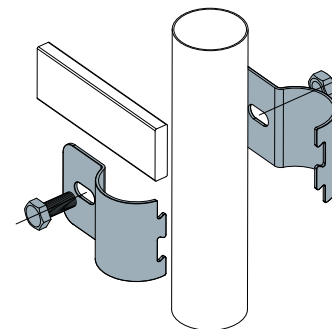
FEATURES: Supplied complete with bolts and nuts.

BOX QUANTITY: 8 pieces.

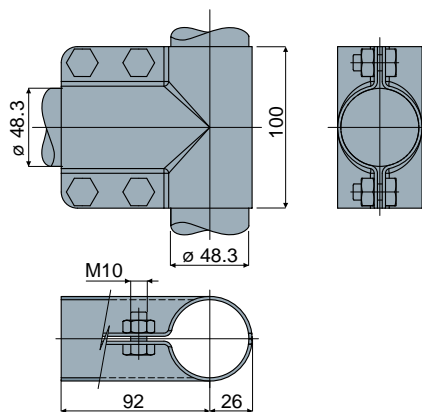
ON REQUEST:

- Assembly of: Bolts and nuts.
- Box quantity: According to your request.

Example of application



Part. 401 Connection joint



Code
401 / 84323

MATERIALS: Joint, screws and nuts made of stainless steel AISI 304.

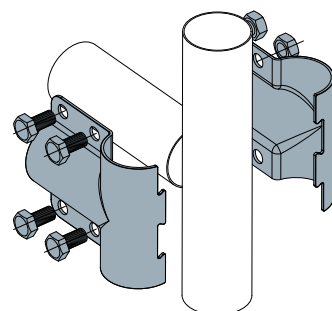
FEATURES: Supplied complete with bolts and nuts.

BOX QUANTITY: 8 pieces.

ON REQUEST:

- Assembly of: Bolts and nuts.
- Box quantity: According to your request.

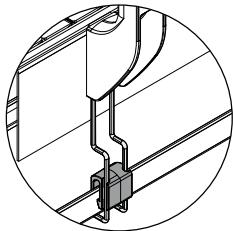
Example of application



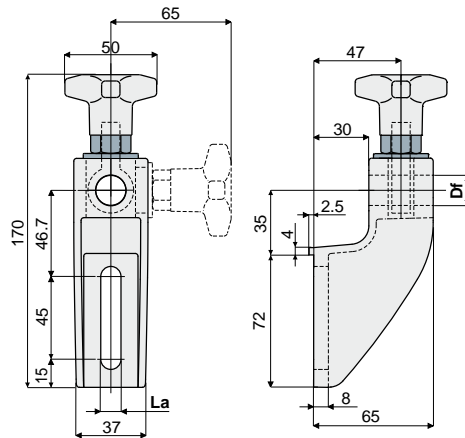
Guide rail brackets

Guide rail bracket (short type)

Part. **557**



Presetting for drip tray support (see on page 31)



Df Bore for pin of (mm)	La (9 mm slot) Code
12	557 / 90803
14	557 / 90804
16	557 / 90805

MATERIALS: Bracket and knob made of reinforced polyamide black colour; hexagonal insert made of nickel plated brass; eyebolt and washer made of stainless steel AISI 304.

FEATURES: Max tightening torque 4 Kg-m.

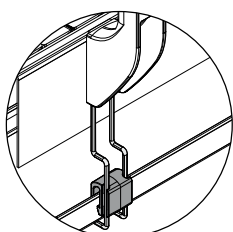
BOX QUANTITY: 24 pieces.

ON REQUEST:

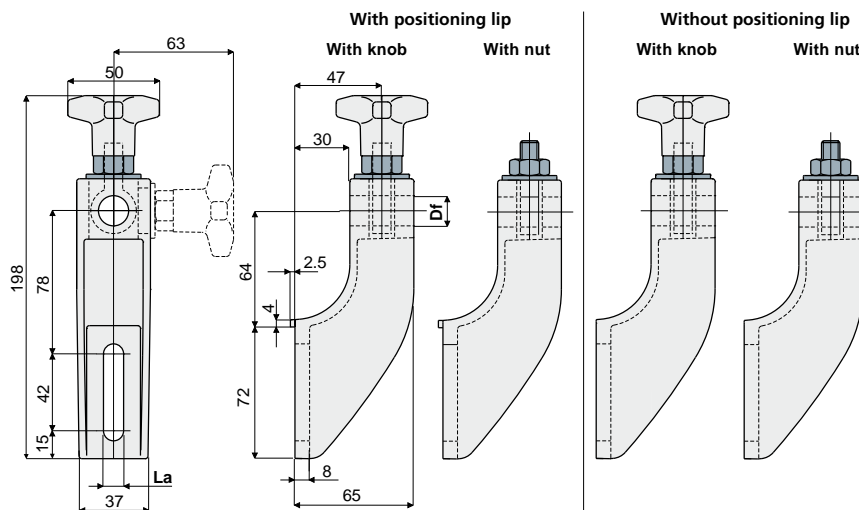
- Brackets: In reinforced polypropylene, in different colours.
- Box quantity: According to your request.

Guide rail bracket

Part. **213**



Presetting for drip tray support (see on page 31)



Df Bore for pin of (mm)	With positioning lip			
	La (9 mm slot)		La (11 mm slot)	
	With knob Code	With nut Code	With knob Code	With nut Code
12	213 / 81176	213 / 82105	213 / 80652	213 / 80653
14	213 / 82102	213 / 82107	213 / 80654	213 / 80655
16	213 / 82104	213 / 82109	213 / 80656	213 / 80657

Df Bore for pin of (mm)	Without positioning lip			
	La (9 mm slot)		La (11 mm slot)	
	With knob Code	With nut Code	With knob Code	With nut Code
12	213 / 86173	213 / 88826	213 / 88829	213 / 88832
14	213 / 88819	213 / 88827	213 / 88830	213 / 88833
16	213 / 88825	213 / 88828	213 / 88831	213 / 88834

MATERIALS: Bracket and knob made of reinforced polyamide black colour; hexagonal insert made of nickel plated brass; eyebolt, nut and washer made of stainless steel AISI 304.

FEATURES: Max tightening torque 4 Kg-m.

BOX QUANTITY: 24 pieces.

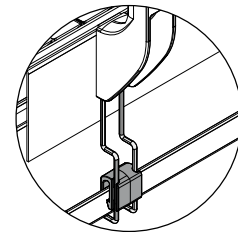
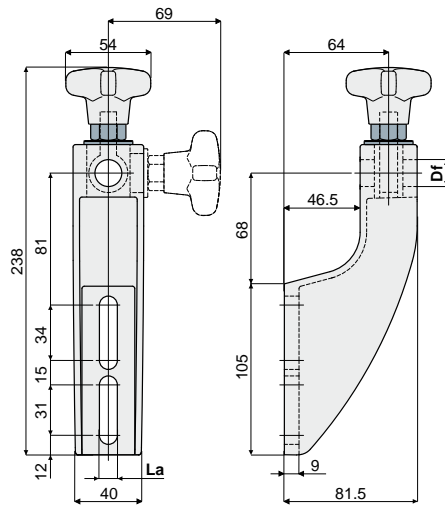
ON REQUEST:

- Brackets: In reinforced polypropylene, in different colours.
- Box quantity: According to your request.

Guide rail brackets

Guide rail bracket (medium type)

Part. **558**



Presetting for drip tray support (see on page 31)

Df Bore for pin of (mm)	La (9 mm slot) Code	La (11 mm slot) Code
12	558 / 90810	558 / 90813
14	558 / 90811	558 / 90814
16	558 / 90812	558 / 90815

MATERIALS: Bracket and knob made of reinforced polyamide black colour; hexagonal insert made of nickel plated brass; eyebolt and washer made of stainless steel AISI 304.

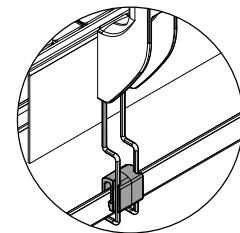
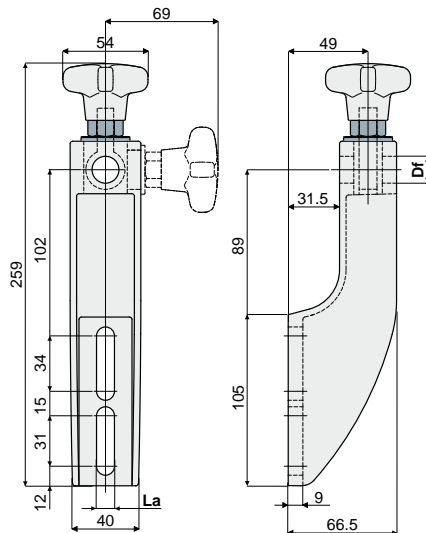
FEATURES: Max tightening torque 4 Kg-m.

BOX QUANTITY: 24 pieces.

ON REQUEST:

- Brackets: In reinforced polypropylene, in different colours.
- Box quantity: According to your request.

Part. **559** Guide rail bracket (long type)



Presetting for drip tray support (see on page 31)

Df Bore for pin of (mm)	La (9 mm slot) Code	La (11 mm slot) Code
12	559 / 90816	559 / 90819
14	559 / 90817	559 / 90820
16	559 / 90818	559 / 90821

MATERIALS: Bracket and knob made of reinforced polyamide black colour; hexagonal insert made of nickel plated brass; eyebolt and washer made of stainless steel AISI 304.

FEATURES: Max tightening torque 4 Kg-m.

BOX QUANTITY: 24 pieces.

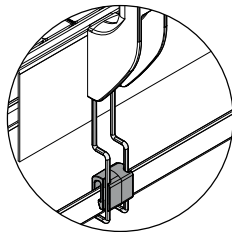
ON REQUEST:

- Brackets: In reinforced polypropylene, in different colours.
- Box quantity: According to your request.

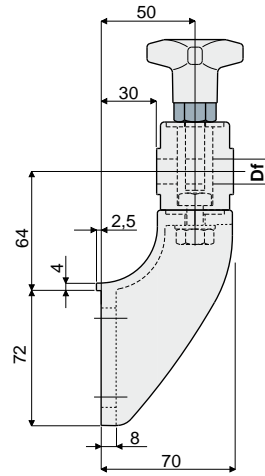
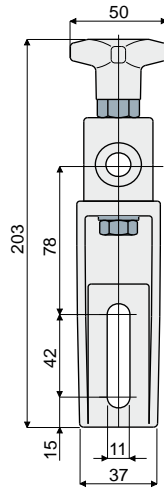
Guide rail brackets

Guide rail bracket (with adjustable head)

Part. **214**



Presetting for drip tray support (see on page 31)



Df Bore for pin of (mm)	Code
12	214 / 80755
14	214 / 80756
16	214 / 80757

MATERIALS: Bracket and knob made of reinforced polyamide black colour; hexagonal insert made of nickel plated brass; eyebolt, screw, nut and washers made of stainless steel AISI 304.

FEATURES: Max tightening torque 4 Kg·m.

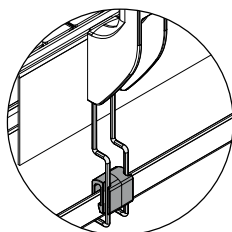
BOX QUANTITY: 24 pieces.

ON REQUEST:

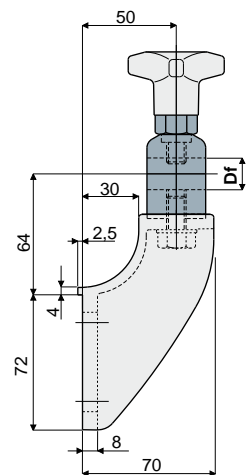
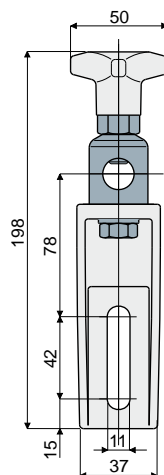
- Brackets: In reinforced polypropylene, in different colours.
- Box quantity: According to your request.

Guide rail bracket (with metal adjustable head)

Part. **216**



Presetting for drip tray support (see on page 31)



Df Bore for pin of (mm)	Code
14 - 16	216 / 80759

MATERIALS: Bracket and knob made out of reinforced polyamide black colour; head made out of stainless steel AISI 304; hexagonal insert made out of nickel plated brass; screw and washer made out of stainless steel AISI 304.

FEATURES: Possibility to use pins with diameter 14 and 16 mm. Max tightening torque 4 Kg·m.

BOX QUANTITY: 24 pieces.

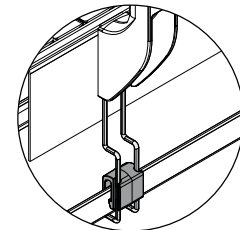
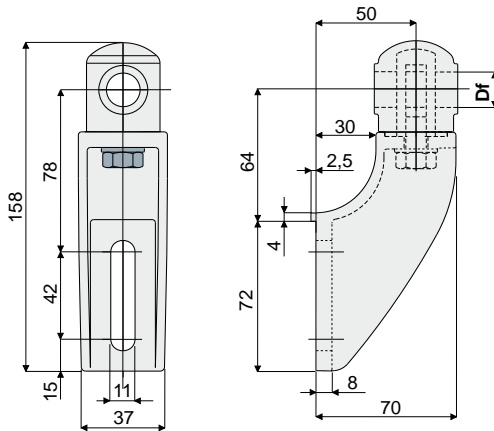
ON REQUEST:

- Brackets: In reinforced polypropylene, in different colours.
- Box quantity: According to your request.

Guide rail brackets

Guide rail bracket (with adjustable head)

Part. **217**



Presetting for
drip tray support
(see on page 31)

Df Bore for pin of (mm)	Code
12	217 / 80760
14	217 / 80761
16	217 / 80762

MATERIALS: Bracket and head made of reinforced polyamide black colour; eyebolt, nut and washer made of stainless steel AISI 304.

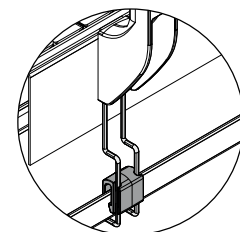
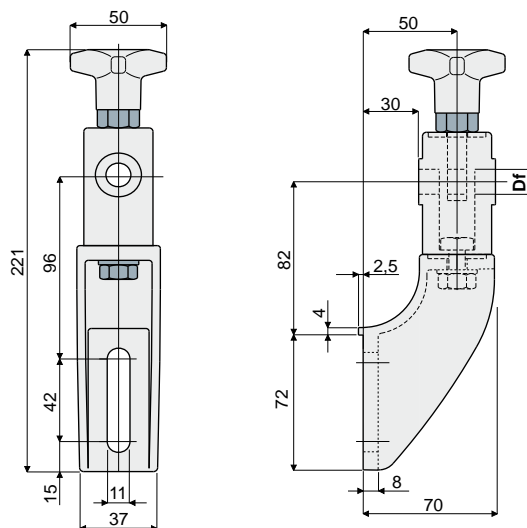
FEATURES: Max tightening torque 4 Kg-m.

BOX QUANTITY: 24 pieces.

ON REQUEST:

- Brackets: In reinforced polypropylene, in different colours.
- Box quantity: According to your request.

Part. **279** Guide rail bracket (with adjustable head)



Presetting for
drip tray support
(see on page 31)

Df Bore for pin of (mm)	Code
12	279 / 82124
14	279 / 82125
16	279 / 82126

MATERIALS: Bracket and knob made of reinforced polyamide black colour; hexagonal insert made of nickel plated brass; eyebolt, screw, nut and washer made of stainless steel AISI 304.

FEATURES: Max tightening torque 4 Kg-m.

BOX QUANTITY: 24 pieces.

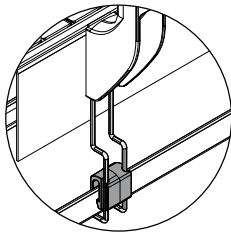
ON REQUEST:

- Brackets: In reinforced polypropylene, in different colours.
- Box quantity: According to your request.

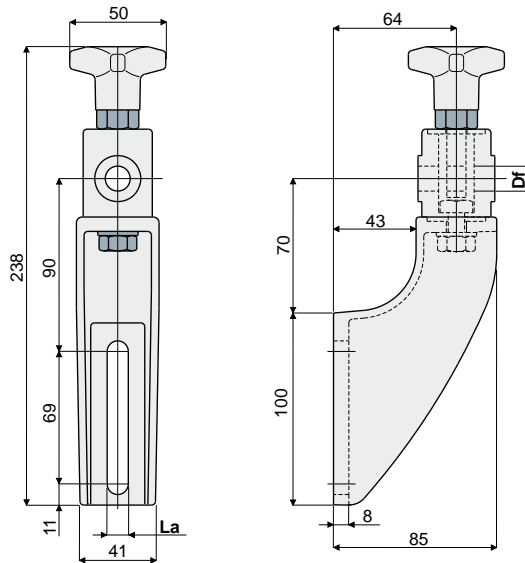
Guide rail brackets

Guide rail bracket (with adjustable head)

Part. **215**



Presetting for drip tray support (see on page 31)



Df Bore for pin of (mm)	La (9 mm slot) Code	La (11 mm slot) Code
12	215 / 82106	215 / 80658
14	215 / 82108	215 / 80659
16	215 / 82110	215 / 80660

MATERIALS: Bracket and knob made of reinforced polyamide black colour; hexagonal insert made of nickel plated brass; eyebolt, screw, nut and washers made of stainless steel AISI 304.

FEATURES: Max tightening torque 4 Kg-m.

BOX QUANTITY: 24 pieces.

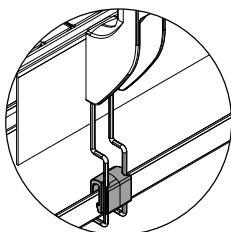
ON REQUEST:

- Brackets: In reinforced polypropylene, in different colours.
- Box quantity: According to your request.

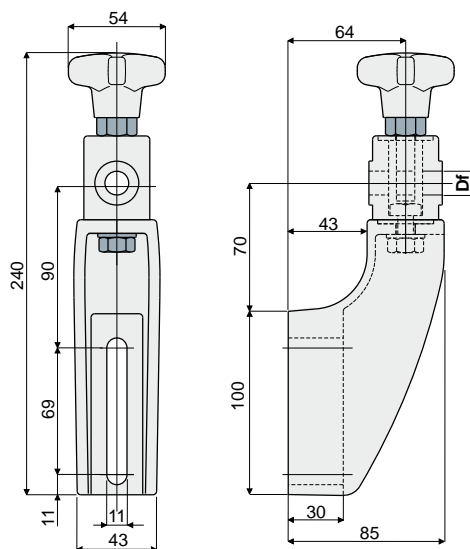
Guide rail bracket

Part. **243**

(reinforced type with adjustable head)



Presetting for drip tray support (see on page 31)



Df Bore for pin of (mm)	Code
12	243 / 81003
14	243 / 81004
16	243 / 81005

MATERIALS: Bracket and knob made of reinforced polyamide black colour; hexagonal insert made of nickel plated brass; eyebolt, screw, nut and washers made of stainless steel AISI 304.

FEATURES: To be used for heavy applications, suitable in conveyors with more ways, both in accumulation and curve. Max tightening torque 4 Kg-m.

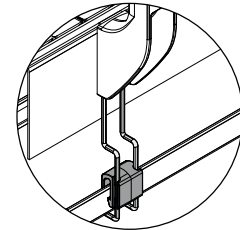
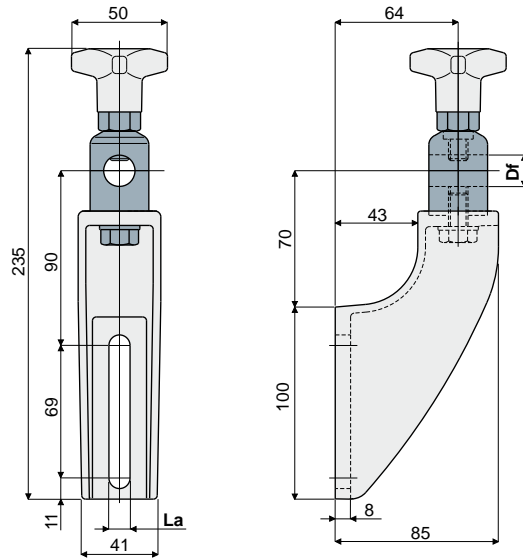
BOX QUANTITY: 24 pieces.

ON REQUEST:

- Brackets: In reinforced polypropylene, in different colours.
- Box quantity: According to your request.

Guide rail brackets

Part. 218 Guide rail bracket (with metal adjustable head)



Presetting for drip tray support (see on page 31)

La (9 mm slot)		La (11 mm slot)	
Df	Code	Df	Code
Bore for pin of (mm)		Bore for pin of (mm)	
14 - 16	218 / 82113	14 - 16	218 / 80663

MATERIALS: Bracket and knob made out of reinforced polyamide black colour; head made out of stainless steel AISI 304; hexagonal insert made out of nickel plated brass; screw and washer made out of stainless steel AISI 304.

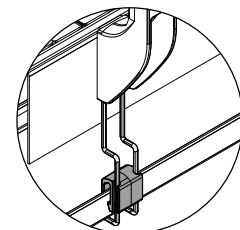
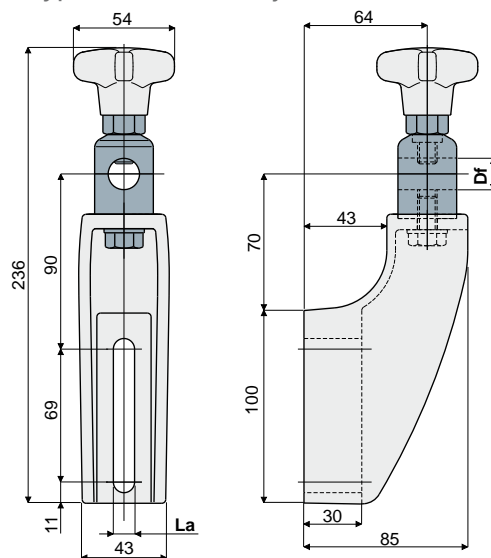
FEATURES: Possibility to use pins with diameter 14 and 16 mm. Max tightening torque 4 Kg-m.

BOX QUANTITY: 24 pieces.

ON REQUEST:

- Brackets: In reinforced polypropylene, in different colours.
- Box quantity: According to your request.

Part. 244 Guide rail bracket (reinforced type with metal adjustable head)



Presetting for drip tray support (see on page 31)

La (9 mm slot)		La (11 mm slot)	
Df	Code	Df	Code
Bore for pin of (mm)		Bore for pin of (mm)	
14 - 16	244 / 87159	14 - 16	244 / 81007

MATERIALS: Bracket and knob made out of reinforced polyamide black colour; head made out of stainless steel AISI 304; hexagonal insert made out of nickel plated brass; screw and washer made out of stainless steel AISI 304.

FEATURES: To be used for heavy applications, suitable in conveyors with more ways, both in accumulation and curve. Possibility to use pins with diameter 14 and 16 mm. Max tightening torque 4 Kg-m.

BOX QUANTITY: 24 pieces.

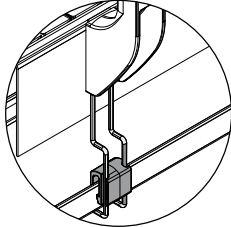
ON REQUEST:

- Brackets: In reinforced polypropylene, in different colours.
- Box quantity: According to your request.

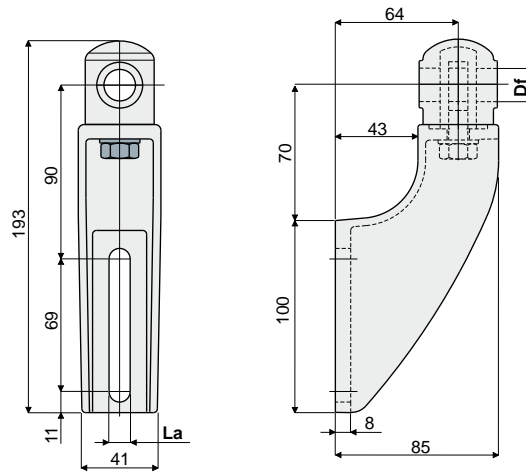
Guide rail brackets

Guide rail bracket (with adjustable head)

Part. **219**



Presetting for drip tray support (see on page 31)



Df Bore for pin of (mm)	La (9 mm slot) Code	La (11 mm slot) Code
12	219 / 82114	219 / 80664
14	219 / 82115	219 / 80665
16	219 / 82116	219 / 80666

MATERIALS: Bracket and head made of reinforced polyamide black colour; eyebolt, nut and washer made of stainless steel AISI 304.

FEATURES: Max tightening torque 4 Kg-m.

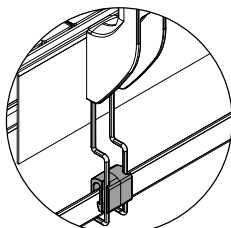
BOX QUANTITY: 24 pieces.

ON REQUEST:

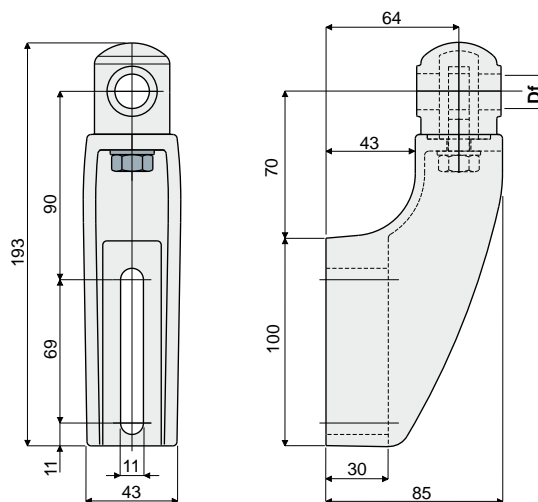
- **Brackets:** In reinforced polypropylene, in different colours.
- **Box quantity:** According to your request.

Guide rail bracket (reinforced type with adjustable head)

Part. **255**



Presetting for drip tray support (see on page 31)



Df Bore for pin of (mm)	Code
12	255 / 81008
14	255 / 81009
16	255 / 81010

MATERIALS: Bracket and head made of reinforced polyamide black colour; eyebolt, nut and washer made of stainless steel AISI 304.

FEATURES: To be used for heavy applications, suitable in conveyors with more ways, both in accumulation and curve. Max tightening torque 4 Kg-m.

BOX QUANTITY: 24 pieces.

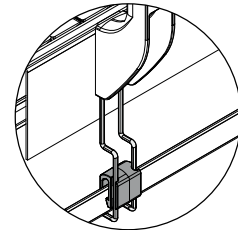
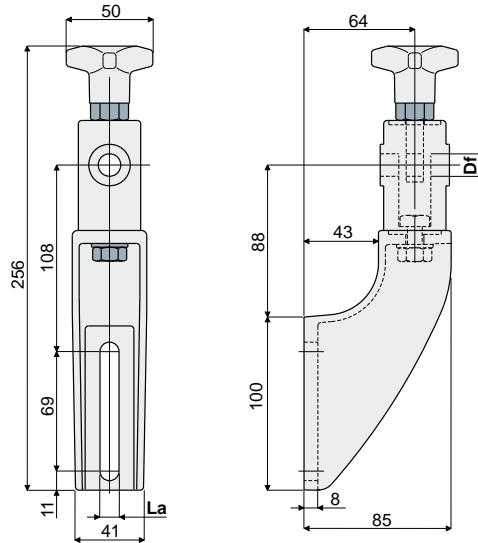
ON REQUEST:

- **Brackets:** In reinforced polypropylene, in different colours.
- **Box quantity:** According to your request.

Guide rail brackets

Guide rail bracket (with adjustable high type head)

Part. **280**



Presetting for drip tray support (see on page 31)

Df Bore for pin of (mm)	La (9 mm slot) Code	La (11 mm slot) Code
12	280 / 82150	280 / 82127
14	280 / 82151	280 / 82128
16	280 / 82152	280 / 82129

MATERIALS: Bracket and knob made of reinforced polyamide black colour; hexagonal insert made of nickel plated brass; eyebolt, screw, nut and washers made of stainless steel AISI 304.

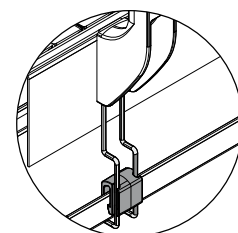
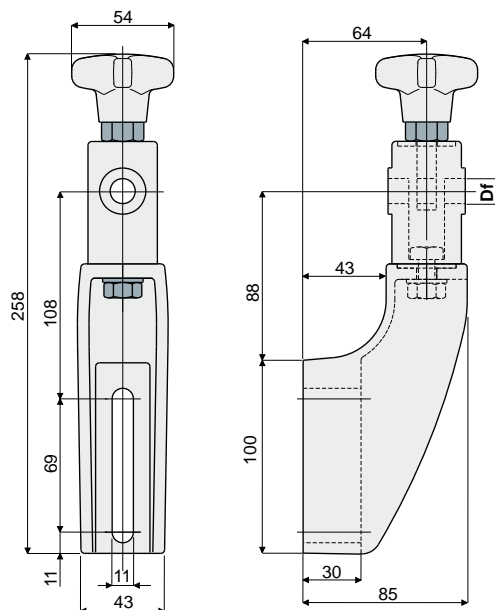
FEATURES: Max tightening torque 4 Kg-m.

BOX QUANTITY: 24 pieces.

ON REQUEST:

- Brackets: In reinforced polypropylene, in different colours.
- Box quantity: According to your request.

Part. **281** Guide rail bracket (reinforced type with adjustable high type head)



Presetting for drip tray support (see on page 31)

Df Bore for pin of (mm)	Code
12	281 / 82130
14	281 / 82131
16	281 / 82132

MATERIALS: Bracket and knob made of reinforced polyamide black colour; hexagonal insert made of nickel plated brass; eyebolt, screw, nut and washers made of stainless steel AISI 304.

FEATURES: To be used for heavy applications, suitable in conveyors with more ways, both in accumulation and curve. Max tightening torque 4 Kg-m.

BOX QUANTITY: 24 pieces.

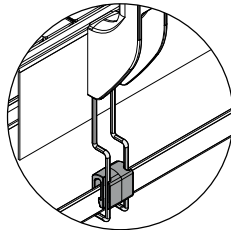
ON REQUEST:

- Brackets: In reinforced polypropylene, in different colours.
- Box quantity: According to your request.

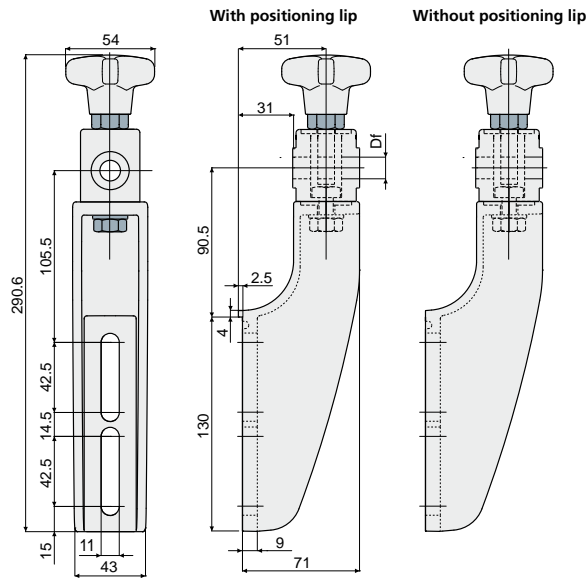
Guide rail brackets

Guide rail bracket (reinforced type with adjustable head)

Part. **488**



Presetting for drip tray support (see on page 31)



Df Bore for pin of (mm)	With positioning lip Code	Without positioning lip Code
12	488 / 86193	488 / 86194
14	488 / 86195	488 / 86196
16	488 / 86197	488 / 86198

MATERIALS: Bracket and knob made of reinforced polyamide black colour; hexagonal insert made of nickel plated brass; eyebolt, screw, nut and washers made of stainless steel AISI 304.
FEATURES: Max tightening torque 4 Kg·m.

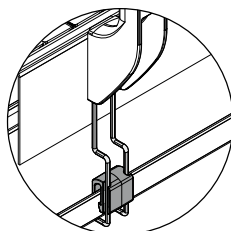
BOX QUANTITY: 24 pieces.

ON REQUEST:

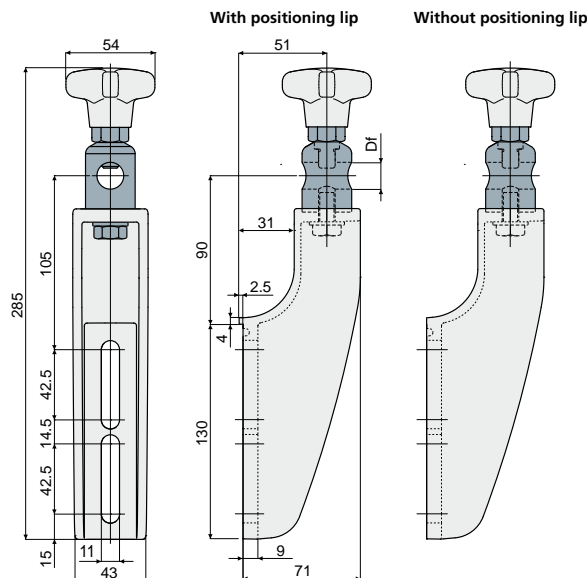
- **Brackets:** In reinforced polypropylene, in different colours.
- **Box quantity:** According to your request.

Guide rail bracket (reinforced type with metal adjustable head)

Part. **490**



Presetting for drip tray support (see on page 31)



Df Bore for pin of (mm)	With positioning lip Code	Without positioning lip Code
16	490 / 87005	490 / 87006

MATERIALS: Bracket and knob made of reinforced polyamide black colour; head made out of stainless steel AISI 304; hexagonal insert made of nickel plated brass; eyebolt and washer made of stainless steel AISI 304.

FEATURES: Max tightening torque 4 Kg·m.

BOX QUANTITY: 24 pieces.

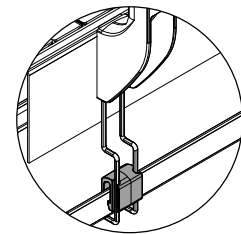
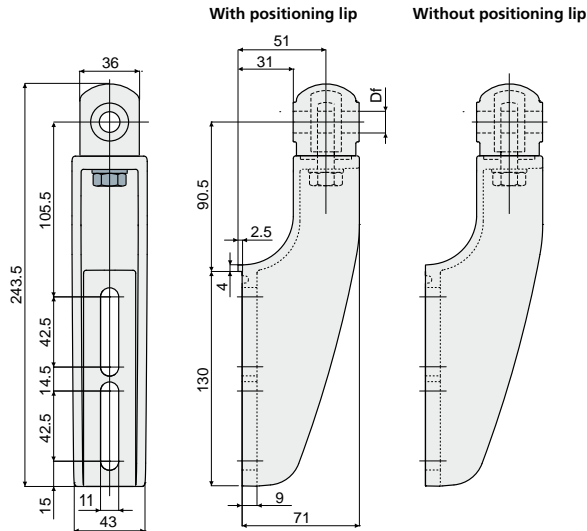
ON REQUEST:

- **Brackets:** In reinforced polypropylene, in different colours.
- **Box quantity:** According to your request.

Guide rail brackets

Guide rail bracket (reinforced type with adjustable head)

Part. **491**



Presetting for drip tray support (see on page 31)

Df Bore for pin of (mm)	With positioning lip Code	Without positioning lip Code
12	491 / 87007	491 / 87008
14	491 / 87009	491 / 87010
16	491 / 87011	491 / 87012

MATERIALS: Bracket and knob made of reinforced polyamide black colour; eyebolt, nut and washer made of stainless steel AISI 304.

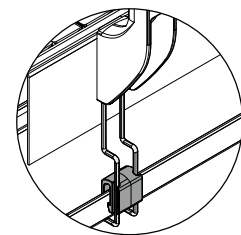
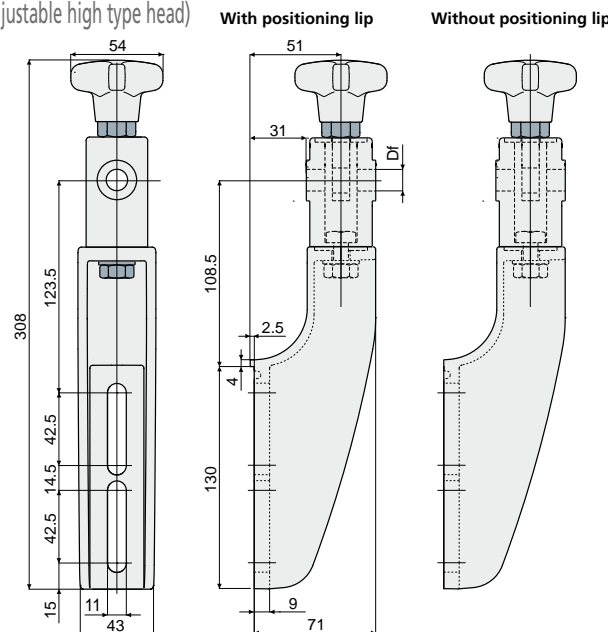
FEATURES: Max tightening torque 4 Kg-m.

BOX QUANTITY: 24 pieces.

ON REQUEST:

- Brackets: In reinforced polypropylene, in different colours.
- Box quantity: According to your request.

Part. **489** Guide rail bracket (reinforced type with adjustable high type head)



Presetting for drip tray support (see on page 31)

Df Bore for pin of (mm)	With positioning lip Code	Without positioning lip Code
12	489 / 86199	489 / 87000
14	489 / 87001	489 / 87002
16	489 / 87003	489 / 87004

MATERIALS: Bracket and knob made of reinforced polyamide black colour; hexagonal insert made of nickel plated brass; eyebolt, screw, nut and washers made of stainless steel AISI 304.

FEATURES: Max tightening torque 4 Kg-m.

BOX QUANTITY: 24 pieces.

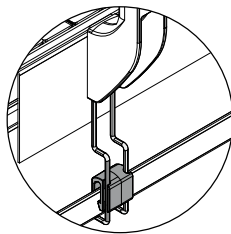
ON REQUEST:

- Brackets: In reinforced polypropylene, in different colours.
- Box quantity: According to your request.

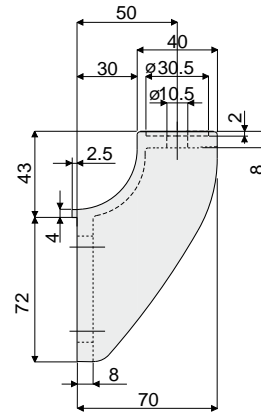
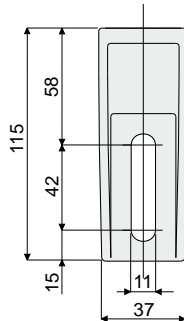
Guide rail brackets

Guide rail bracket (for adjustable heads)

Part. **209**



Presetting for
drip tray support
(see on page 31)



Code

209 / 80754

MATERIALS: Bracket made out of reinforced polyamide black colour.

FEATURES: To be used with heads Part.221, 222, 223 and 266.

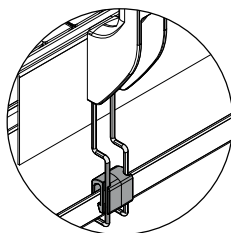
BOX QUANTITY: 24 pieces.

ON REQUEST:

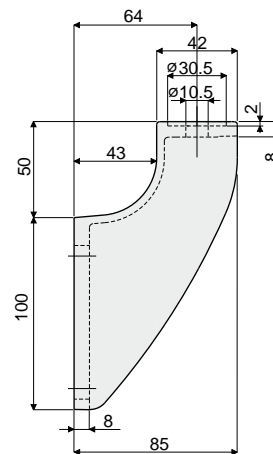
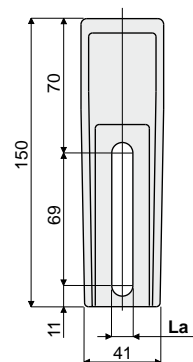
- Brackets: In reinforced polypropylene, in different colours.
- Box quantity: According to your request.

Guide rail bracket (for adjustable heads)

Part. **220**



Presetting for
drip tray support
(see on page 31)



La (9 mm slot)

La (11 mm slot)

Code

Code

220 / 82111

220 / 80667

MATERIALS: Bracket made out of reinforced polyamide black colour.

FEATURES: To be used with heads Part.221, 222, 223 and 266.

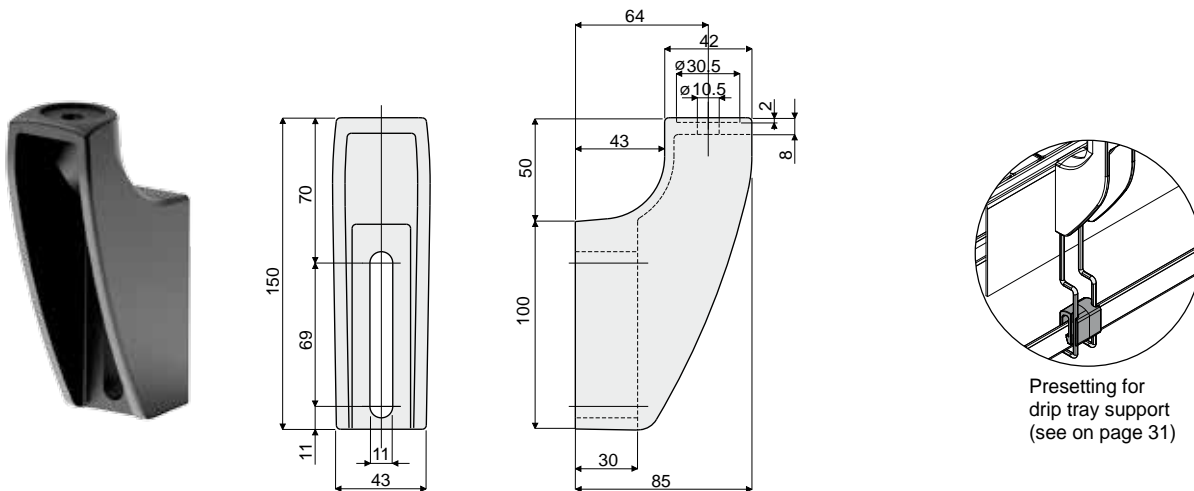
BOX QUANTITY: 24 pieces.

ON REQUEST:

- Brackets: In reinforced polypropylene, in different colours.
- Box quantity: According to your request.

Guide rail brackets

Part. 242 Guide rail bracket (reinforced type for adjustable head)



Code
242 / 81002

MATERIALS: Bracket made of reinforced polyamide black colour.

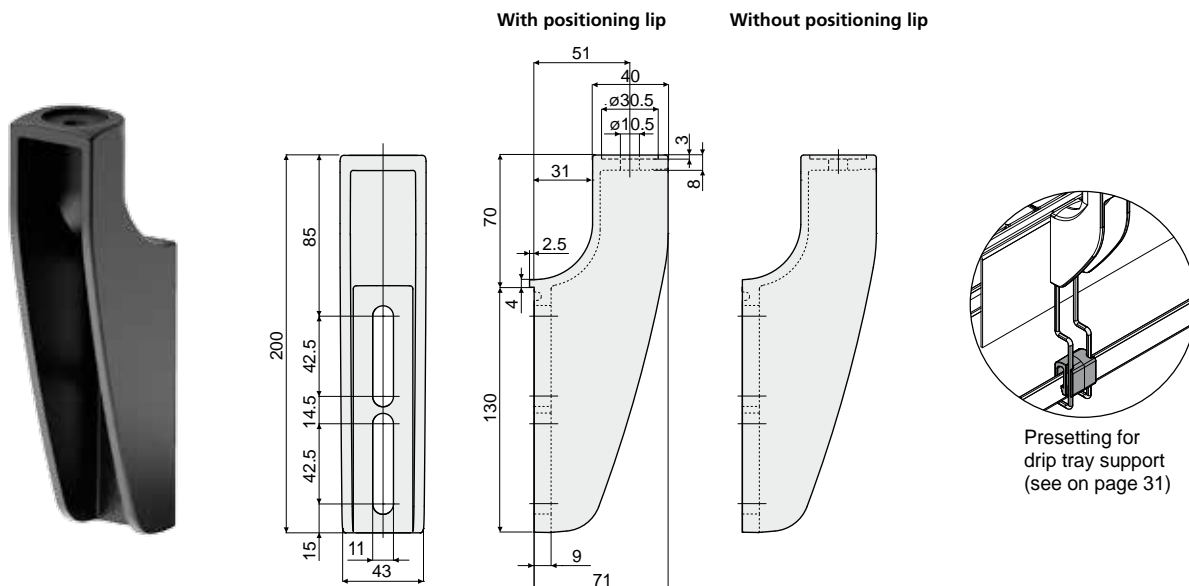
FEATURES: To be used with heads Part.221, 222, 223 and 266 for heavy applications. Suitable in conveyors with more ways, both in accumulation and curve.

BOX QUANTITY: 24 pieces.

ON REQUEST:

- Brackets: In reinforced polypropylene, in different colours.
- Box quantity: According to your request.

Part. 486 Guide rail bracket (reinforced type for adjustable heads)



With positioning lip	Without positioning lip
Code	Code
486 / 86189	486 / 86190

MATERIALS: Bracket made out of reinforced polyamide black colour.

FEATURES: To be used with heads Part.221, 222, 223 and 266.

BOX QUANTITY: 24 pieces.

ON REQUEST:

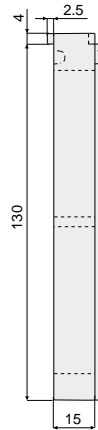
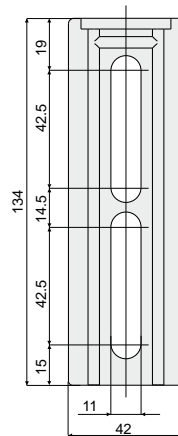
- Brackets: In reinforced polypropylene, in different colours.
- Box quantity: According to your request.

Guide rail brackets

Spacer for bracket

Part. **487**

With positioning lip Without positioning lip



With positioning lip	Without positioning lip
Code	Code
487 / 86191	487 / 86192

MATERIALS: Spacer made of reinforced polyamide black colour.

FEATURES: Accessory to be used with brackets Part.486, 488, 489, 490, 491.

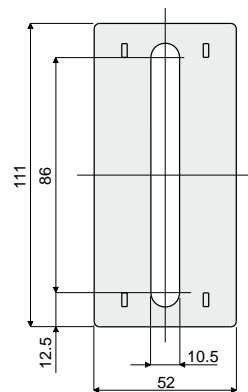
BOX QUANTITY: 24 pieces.

ON REQUEST:

- Spacers: In reinforced polypropylene, in different colours.
- Box quantity: According to your request.

Spacer for bracket

Part. **224**



Code
224 / 80676

MATERIALS: Spacer made of reinforced polyamide black colour.

FEATURES: Accessory to be used with brackets Part.215, 218, 219, 220, 242, 243, 244, 255, 280, 281.

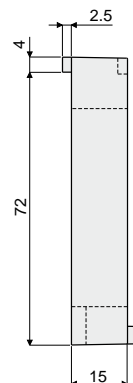
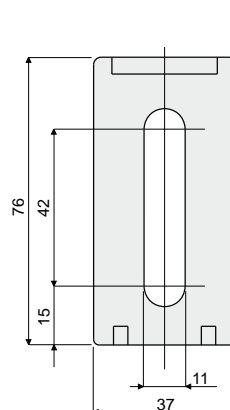
BOX QUANTITY: 24 pieces.

ON REQUEST:

- Spacers: In reinforced polypropylene, in different colours.
- Box quantity: According to your request.

Spacer for bracket

Part. **225**



Code
225 / 80677

MATERIALS: Spacer made of reinforced polyamide black colour.

FEATURES: Accessory to be used with brackets Part.209, 213, 214, 216, 217, 279, 557.

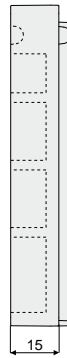
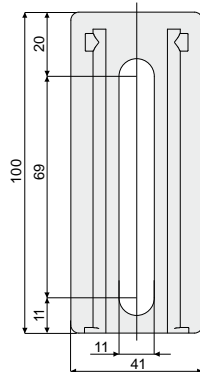
BOX QUANTITY: 24 pieces.

ON REQUEST:

- Spacers: In reinforced polypropylene, in different colours.
- Box quantity: According to your request.

Guide rail brackets

Part. 530 Spacer for bracket



Code
530 / 87752

MATERIALS: Spacer made of reinforced polyamide black colour.

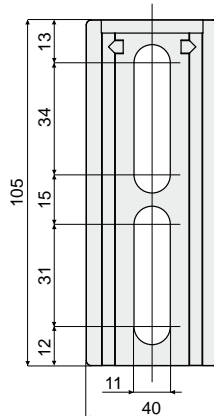
FEATURES: Accessory to be used with brackets Part.215, 218, 219, 220, 242, 243, 244, 255, 280, 281.

BOX QUANTITY: 24 pieces.

ON REQUEST:

- Spacers: In reinforced polypropylene, in different colours.
- Box quantity: According to your request.

Part. 560 Spacer for bracket



Code
560 / 90822

MATERIALS: Spacer made of reinforced polyamide black colour.

FEATURES: Accessory to be used with brackets Part.558, 559.

BOX QUANTITY: 24 pieces.

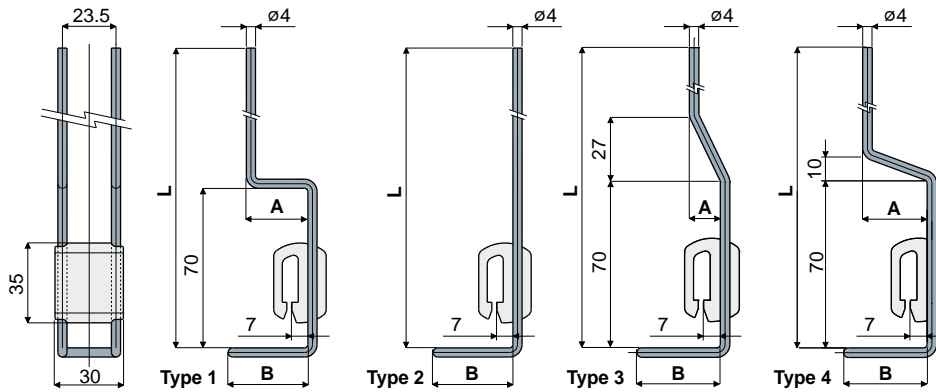
ON REQUEST:

- Spacers: In reinforced polypropylene, in different colours.
- Box quantity: According to your request.

Guide rail brackets

Drip tray support

Part. **236**



L (mm)	B (mm)	A (mm)	Type 1 Code
180	35	27	236 / 80779
180	35	17	236 / 81012
230	35	27	236 / 82683
310	35	18	236 / 88679

L (mm)	B (mm)	Type 2 Code
200	35	236 / 80780
246	35	236 / 81013

L (mm)	B (mm)	A (mm)	Type 3 Code
250	35	13	236 / 82640

L (mm)	B (mm)	A (mm)	Type 4 Code
280	35	27	236 / 82949

MATERIALS: Support elements made of stainless steel AISI 304; body of coupling made of reinforced polyamide black colour.

FEATURES: To be used to support drip trays.

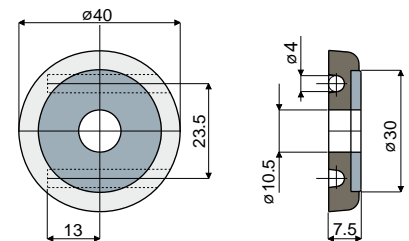
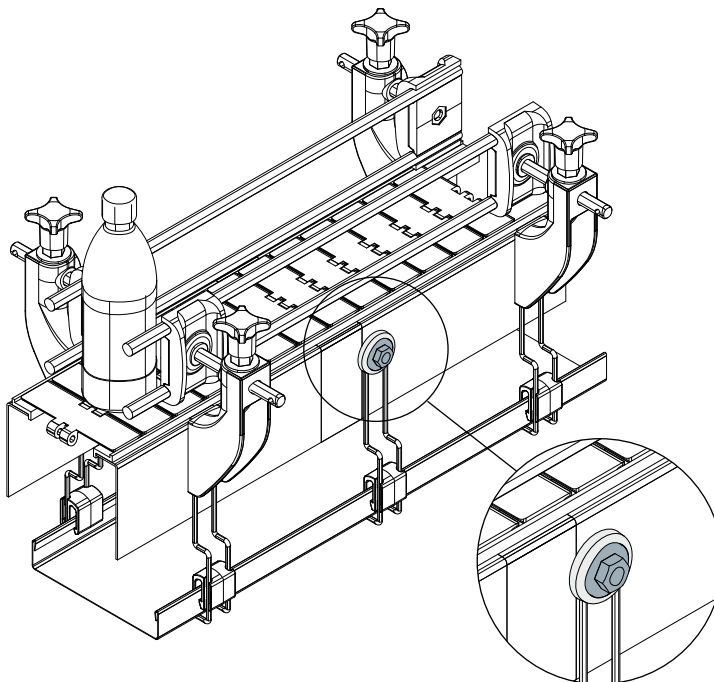
BOX QUANTITY: 24 pieces.

ON REQUEST:

- Drip tray supports: Supplied in different shapes and sizes.
- Box quantity: According to your request.

Mounting plate (for drip tray support)

Part. **235**



Code
235 / 80778

Example of application

MATERIALS: Plate made of reinforced polyamide black colour; washer made of stainless steel AISI 304.

FEATURES: For application on conveyor side to fasten drip tray support.

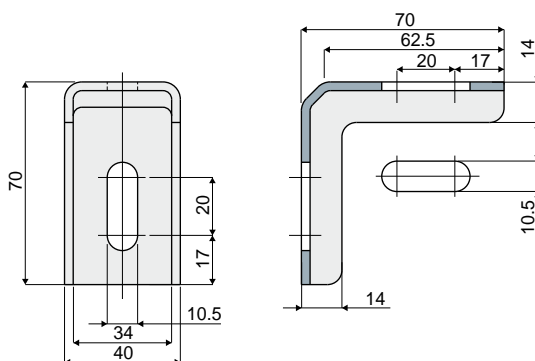
BOX QUANTITY: 24 pieces.

ON REQUEST:

- Plates: With glued washer.
- Box quantity: According to your request.

Guide rail brackets

Part. **387** **Bracket 90°**
(70 mm x 70 mm)



Code
387 / 84128

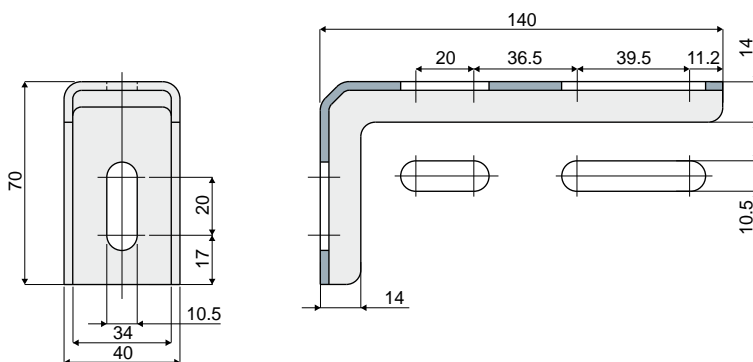
MATERIALS: Bracket in stainless steel AISI 304.

BOX QUANTITY: 24 pieces.

ON REQUEST:

- Box quantity: According to your request.

Part. **392** **Bracket 90°**
(70 mm x 140 mm)



Code
392 / 84130

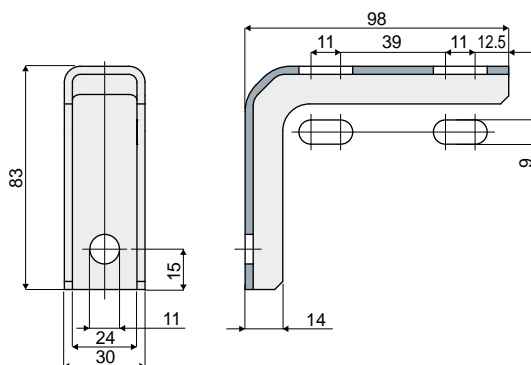
MATERIALS: Bracket in stainless steel AISI 304.

BOX QUANTITY: 24 pieces.

ON REQUEST:

- Box quantity: According to your request.

Part. **436** **Bracket 90°**
(83 mm x 98 mm)



Code
436 / 85215

MATERIALS: Bracket in stainless steel AISI 304.

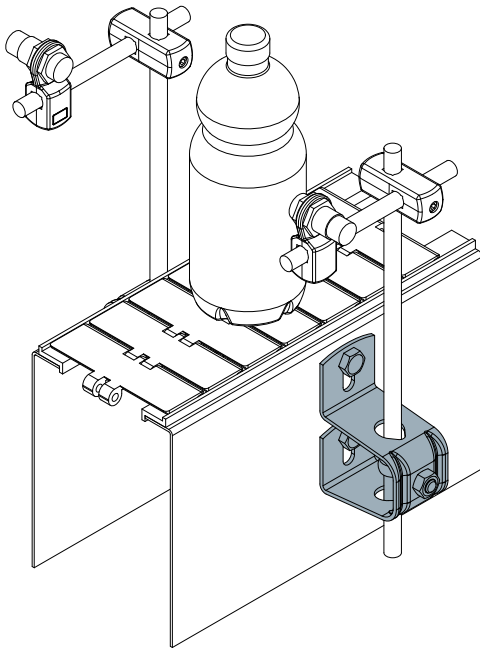
BOX QUANTITY: 24 pieces.

ON REQUEST:

- Box quantity: According to your request.

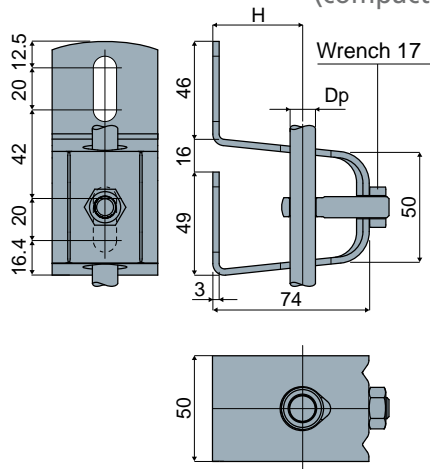
Guide rail brackets

Example of application



Guide rail bracket
(compact version)

Part. **408**



Dp Pin diameter (mm)	H (mm)	Code
12	49	408 / 84337
14	47	408 / 84338
16	46	408 / 84339
20	43	408 / 88698

MATERIALS: Bracket, eyebolt and nut made of stainless steel AISI 304.

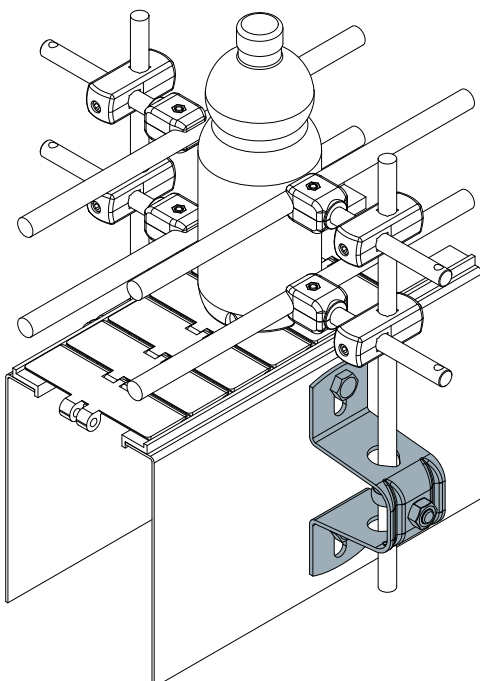
FEATURES: Supplied complete with bolts and nuts.

BOX QUANTITY: 8 pieces.

ON REQUEST:

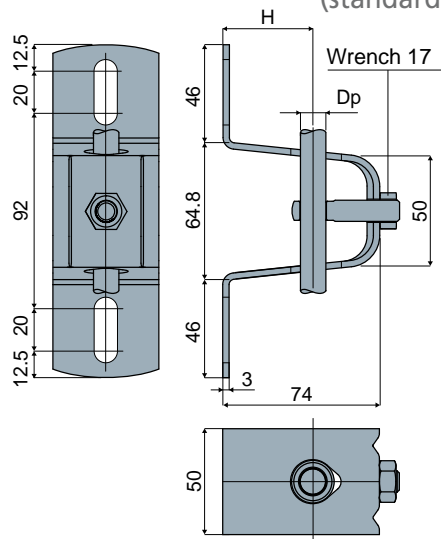
- Assembly of: Eyebolts, nuts.
- Box quantity: According to your request.

Example of application



Guide rail bracket
(standard version)

Part. **408**



Dp Pin diameter (mm)	H (mm)	Code
12	49	408 / 84334
14	47	408 / 84335
16	46	408 / 84336
20	43	408 / 88700

MATERIALS: Bracket, eyebolt and nut made of stainless steel AISI 304.

FEATURES: Supplied complete with bolts and nuts.

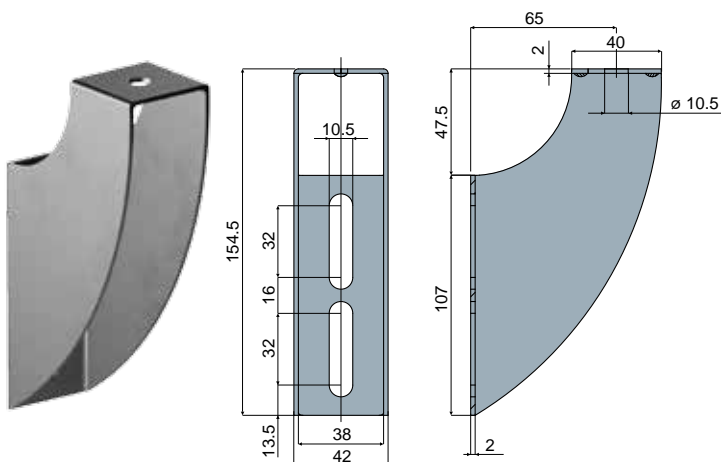
BOX QUANTITY: 8 pieces.

ON REQUEST:

- Assembly of: Eyebolts, nuts.
- Box quantity: According to your request.

Guide rail brackets

Part. 442 Guide rail bracket



Code

442 / 85242

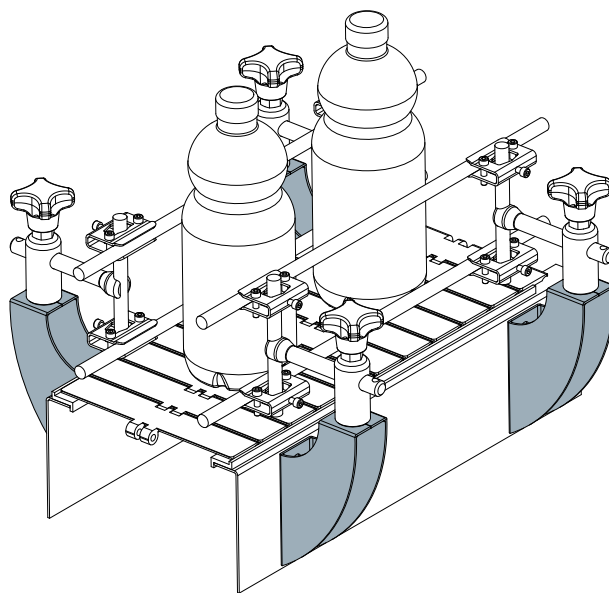
MATERIALS: Bracket made of stainless steel AISI 304.

BOX QUANTITY: 24 pieces.

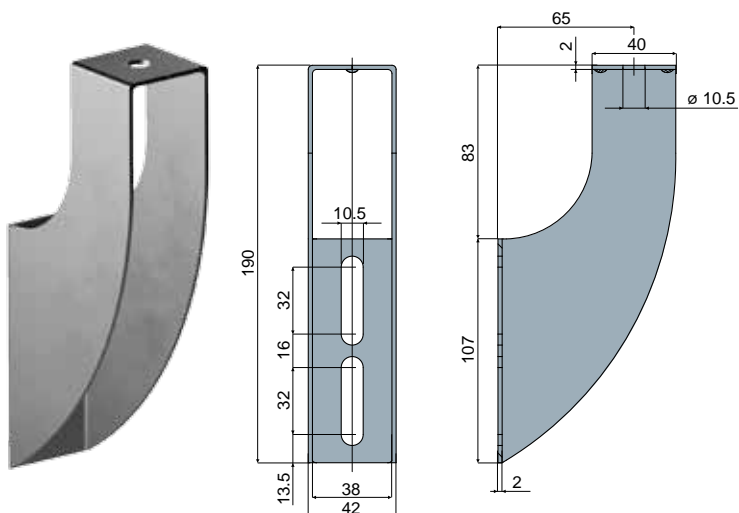
ON REQUEST:

- Box quantity: According to your request.

Example of application



Part. 441 Guide rail bracket



Code

441 / 85241

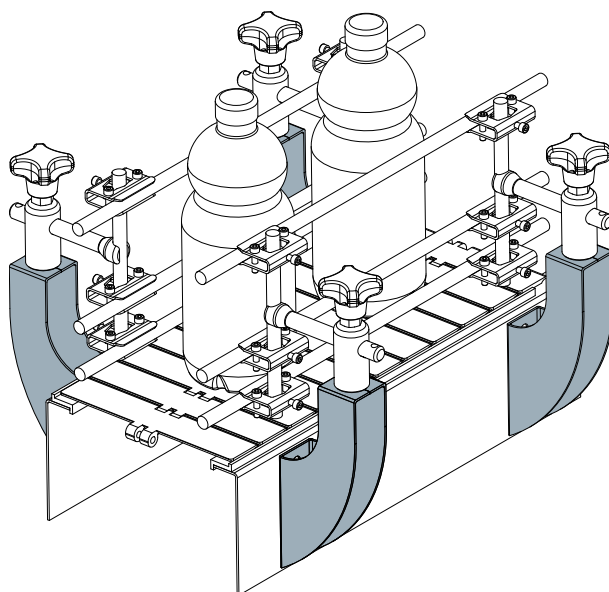
MATERIALS: Bracket made of stainless steel AISI 304.

BOX QUANTITY: 24 pieces.

ON REQUEST:

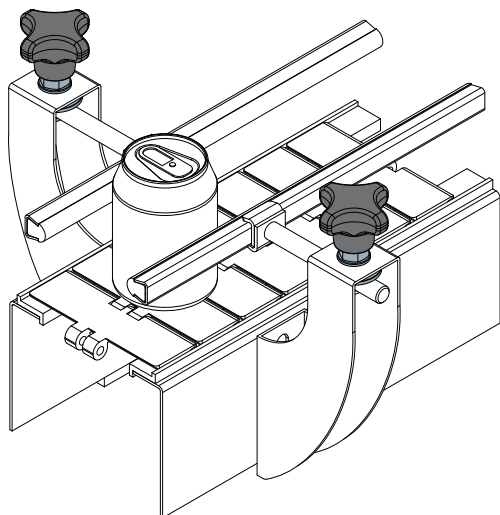
- Box quantity: According to your request.

Example of application



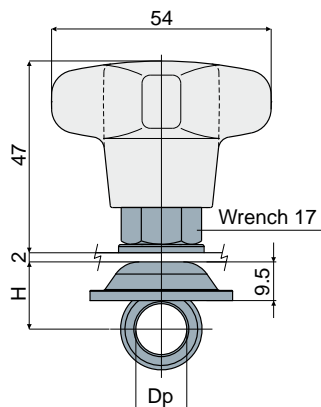
Tightening eyebolts

Example of application



Tightening eyebolt (with knob)

Part. **406**



Dp Pin diameter (mm)	H (mm)	Code
12	15,5	406 / 84328
14	16,5	406 / 84329
16	17,5	406 / 84330

MATERIALS: Eyebolt and washers made of stainless steel AISI 304, threaded bushing in nickel plated brass; knob in reinforced polyamide black colour.

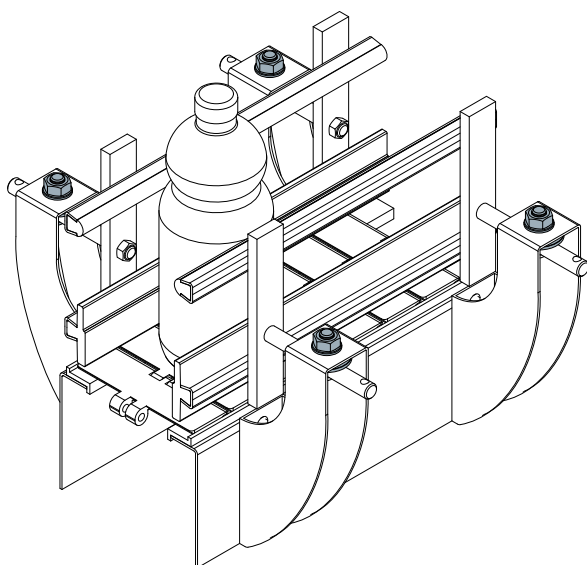
FEATURES: Supplied complete with bolts and nuts.

BOX QUANTITY: 24 pieces.

ON REQUEST:

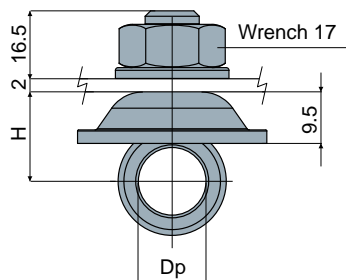
- Assembly of: Eyebolts, washers and nuts.
- Box quantity: According to your request.

Example of application



Tightening eyebolt (with nut)

Part. **407**



Dp Pin diameter (mm)	H (mm)	Code
12	15,5	407 / 84331
14	16,5	407 / 84332
16	17,5	407 / 84333

MATERIALS: Eyebolt, washers and nuts made of stainless steel AISI 304.

FEATURES: Supplied complete with bolts and nuts.

BOX QUANTITY: 24 pieces.

ON REQUEST:

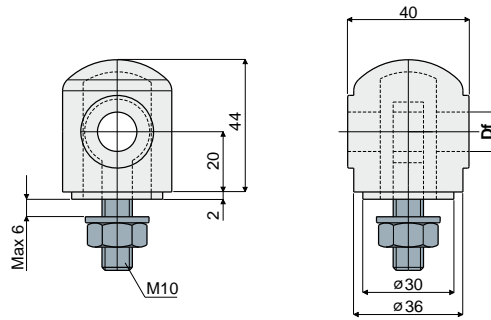
- Assembly of: Eyebolts, washers and nuts.
- Box quantity: According to your request.

Heads for brackets

Part. 222 Head for bracket



Df Bore for pin of (mm)	Code
12	222 / 80671
14	222 / 80672
16	222 / 80673



MATERIALS: Head made of reinforced polyamide black colour; eyebolt, nut and washer made of stainless steel AISI 304.

FEATURES: To be used with bracket Part.209, 220, 242, 441, 442, 486. Max tightening torque 4 Kg-m.

BOX QUANTITY: 24 pieces.

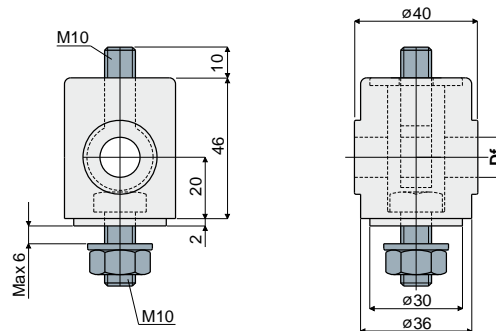
ON REQUEST:

- Heads: In reinforced polypropylene, in different colours.
- Box quantity: According to your request.

Part. 221 Head for bracket



Df Bore for pin of (mm)	Code
12	221 / 80668
14	221 / 80669
16	221 / 80670



MATERIALS: Head made of reinforced polyamide black colour; eyebolt, screw, nut and washers made of stainless steel AISI 304.

FEATURES: To be used with bracket Part.209, 220, 242, 441, 442, 486. Max tightening torque 4 Kg-m.

BOX QUANTITY: 24 pieces.

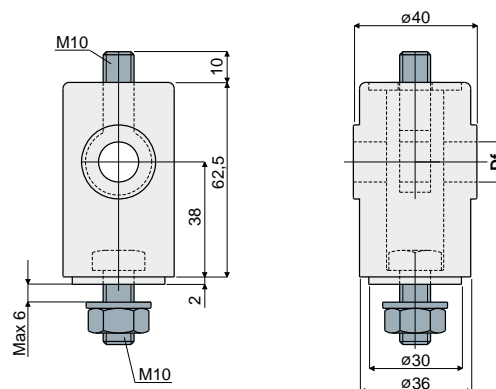
ON REQUEST:

- Heads: In reinforced polypropylene, in different colours.
- Box quantity: According to your request.

Part. 266 Head for bracket (high type)



Df Bore for pin of (mm)	Code
12	266 / 82035
14	266 / 82036
16	266 / 82037



MATERIALS: Head made of reinforced polyamide black colour; eyebolt, nuts and washer made of stainless steel AISI 304.

FEATURES: To be used with bracket Part.209, 220, 242, 441, 442, 486. Max tightening torque 4 Kg-m.

BOX QUANTITY: 24 pieces.

ON REQUEST:

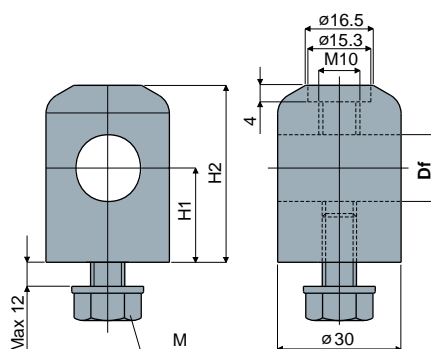
- Heads: Made of reinforced polypropylene, in different colours.
- Box quantity: According to your request.

Heads for brackets

Head for bracket (metal)

Part. **223**

M	Df		H1	H2	Code
	Bore for pin of (mm)	(inches)			
M8x16	14 - 16	-	23	43	223 / 84544
M10x16	14 - 16	-	23	43	223 / 84226
M10x20	12,7	1/2"	23	43	223 / 84543
M10x20	14 - 16	-	23	43	223 / 80675
	14 - 16	-	40	60	223 / 84542
	14 - 16	-	60	80	223 / 83640



MATERIALS: Head made out of stainless steel AISI 304; screw and washer made out of stainless steel AISI 304.

FEATURES: To be used with Part.209, 220, 242, 441, 442, 486. Max tightening torque 4 Kg.m.

Possibility to use pins with diameter 12.7, 14, 16 mm and 1/2".

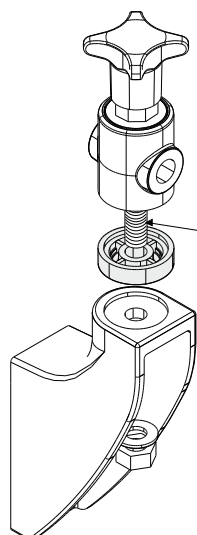
BOX QUANTITY: 24 pieces.

ON REQUEST:

- Heads: In different lengths.
- Box quantity: According to your request.

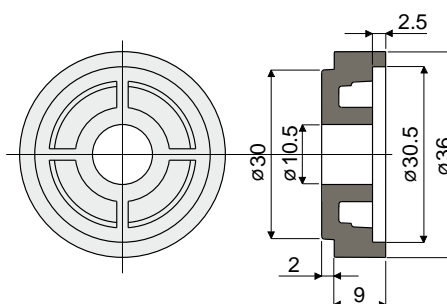
Spacer for heads

Part. **256**



Example of application

N.B.: To use the spacer, it is necessary to change the standard screw with a longer one.



Code
256 / 81011

MATERIALS: Spacer made of reinforced polyamide black colour.

FEATURES: Accessory to be used on brackets Part.209, 214, 215, 216, 218, 220, 242, 243, 244, 279, 280, 281, 486, 488, 489, 490 to increase heads height.

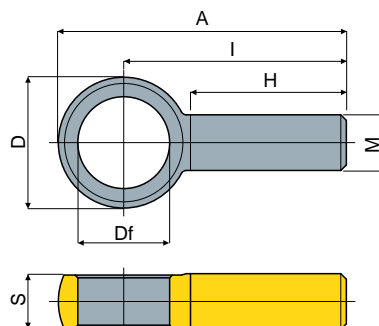
BOX QUANTITY: 24 pieces.

ON REQUEST:

- Spacers: In reinforced polypropylene, in different colours.
- Box quantity: According to your request.

Eyebolt Part. **526**

M	Df		D	H	I	A	S	Code
	Bore diameter (mm)							
M10x20	13		22	21	39	49	9	526 / 87380
	14,5		22	21	39	49	9	526 / 87381
	16,5		23,5	28	40	52	9,5	526 / 87382
	20,5		27	26	40	53,5	7	526 / 88704



MATERIALS: Eyebolt in stainless steel AISI 304.

FEATURES: To be used with Part.213, 214, 215, 217, 219, 221, 222, 227, 243, 247, 255, 266, 279, 280, 281, 312, 406, 407, 408, 488, 489, 491, 557, 558, 559. Possibility to use pins with diameter 12.7, 14, 16, 20 mm and 1/2".

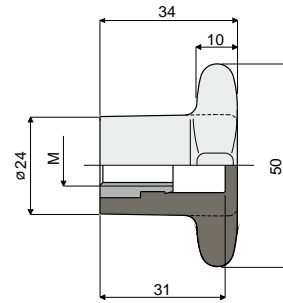
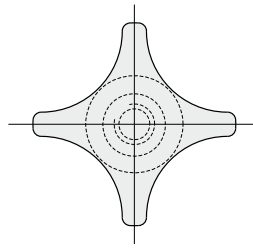
BOX QUANTITY: 24 pieces.

ON REQUEST:

- Box quantity: According to your request.

Knobs and handles

Part. 226 Knob for bracket



M	Code
M8	226 / 81147
M10	226 / 80678
M12	226 / 81148

MATERIALS: Knob made of reinforced polyamide black colour; threaded bushing made of nickel plated brass.

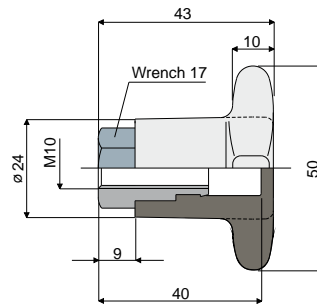
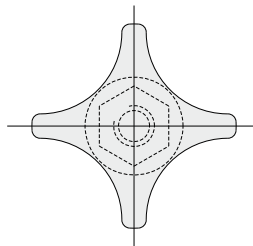
FEATURES: Accessory to be used with heads Part.221 and 266.

BOX QUANTITY: 24 pieces.

ON REQUEST:

- Knobs: In reinforced polypropylene, in different colours.
- Box quantity: According to your request.

Part. 227 Knob for bracket



Code
227 / 80679

MATERIALS: Knob made of reinforced polyamide black colour; threaded bushing made of nickel plated brass.

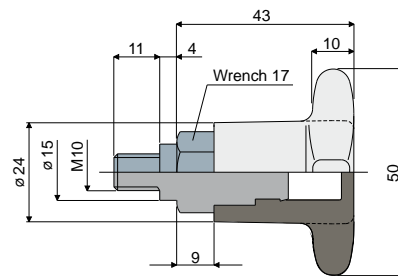
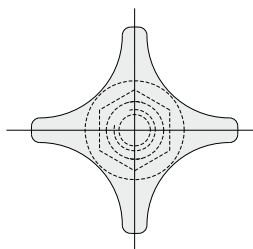
FEATURES: Accessory to be used with heads Part.221 and 266.

BOX QUANTITY: 24 pieces.

ON REQUEST:

- Knobs: In reinforced polypropylene, in different colours.
- Box quantity: According to your request.

Part. 228 Knob for bracket



Code
228 / 80680

MATERIALS: Knob made of reinforced polyamide black colour; threaded bushing made of nickel plated brass.

FEATURES: Accessory to be used with head Part.223.

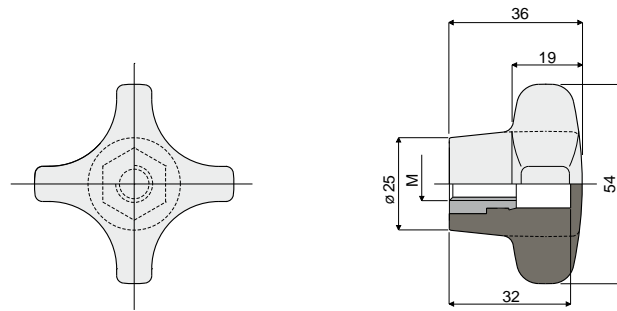
BOX QUANTITY: 24 pieces.

ON REQUEST:

- Knobs: In reinforced polypropylene, in different colours.
- Box quantity: According to your request.

Knobs and handles

Knob for bracket (reinforced type) Part. 246



M	Code
M8	246 / 84473
M10	246 / 81135
M12	246 / 84870

MATERIALS: Knob made of reinforced polyamide black colour; threaded bushing is made of nickel plated brass.

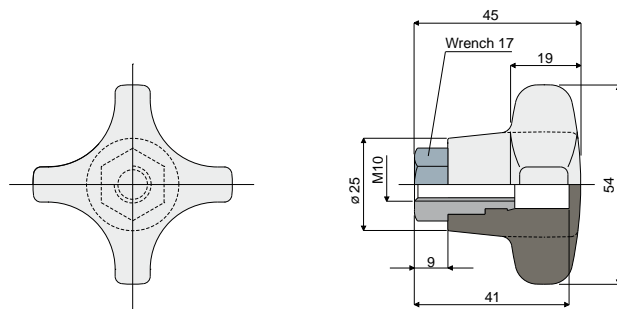
FEATURES: Accessory to be applied to our heads Part.221 and Part.266.

BOX QUANTITY: 24 pieces.

ON REQUEST:

- Knobs: In reinforced polypropylene, in different colours.
- Box quantity: According to your request.

Knob for bracket (reinforced type) Part. 247



Code
247 / 81137

MATERIALS: Knob made of reinforced polyamide black colour; threaded bushing made of nickel plated brass.

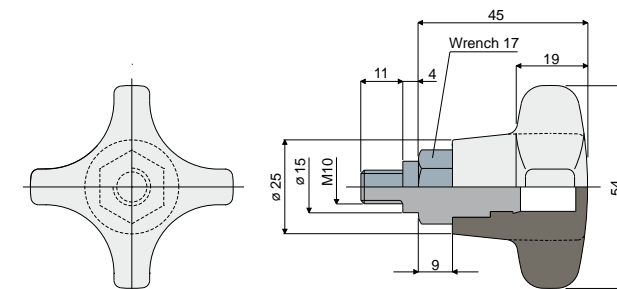
FEATURES: Accessory to be applied to our heads Part.221 and Part.266.

BOX QUANTITY: 24 pieces.

ON REQUEST:

- Knobs: In reinforced polypropylene, in different colours.
- Box quantity: According to your request.

Knob for bracket (reinforced type) Part. 248



Code
248 / 81139

MATERIALS: Knob made of reinforced polyamide black colour; threaded insert made of nickel plated brass.

FEATURES: Accessory to be applied to our head Part.223.

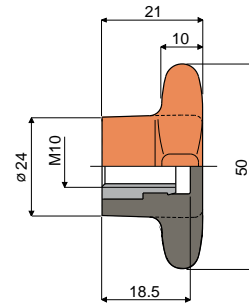
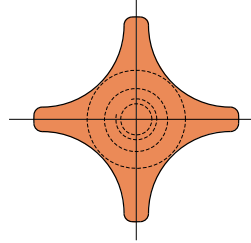
BOX QUANTITY: 24 pieces.

ON REQUEST:

- Knobs: In reinforced polypropylene, in different colours.
- Box quantity: According to your request.

Knobs and handles

Part. 313 Knob for bracket (short type)



Code	Colour
313 / 82848	Orange
313 / 88337	Black

MATERIALS: Knob made of reinforced polyamide orange or black colour; threaded bushing made of nickel plated brass.

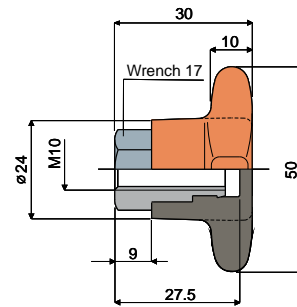
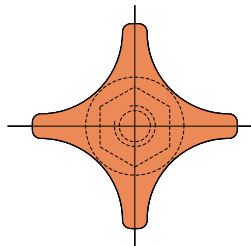
FEATURES: Accessory to be used with heads Part.221 and 266.

BOX QUANTITY: 24 pieces.

ON REQUEST:

- Knobs: In reinforced polypropylene, in different colours.
- Box quantity: According to your request.

Part. 314 Knob for bracket (short type)



Code	Colour
314 / 82849	Orange
314 / 90537	Black

MATERIALS: Knob made of reinforced polyamide orange or black colour; threaded bushing made of nickel plated brass.

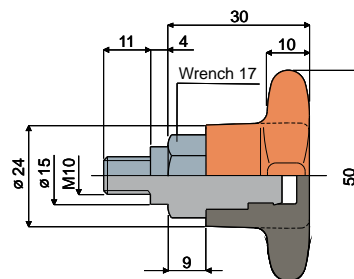
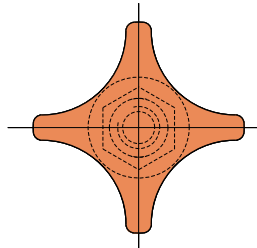
FEATURES: Accessory to be used with heads Part.221 and 266.

BOX QUANTITY: 24 pieces.

ON REQUEST:

- Knobs: In reinforced polypropylene, in different colours.
- Box quantity: According to your request.

Part. 315 Knob for bracket (short type)



Code	Colour
315 / 82850	Orange
315 / 90539	Black

MATERIALS: Knob made of reinforced polyamide orange or black colour; threaded bushing made of nickel plated brass.

FEATURES: Accessory to be used with head Part.223.

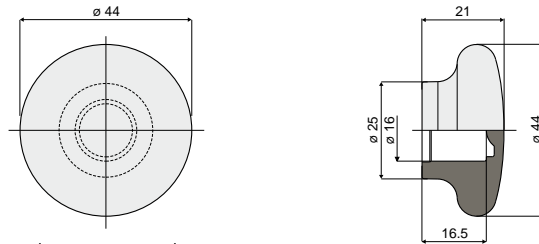
BOX QUANTITY: 24 pieces.

ON REQUEST:

- Knobs: In reinforced polypropylene, in different colours.
- Box quantity: According to your request.

Knobs and handles

Round handle Part. **386**
(\varnothing 44 mm)

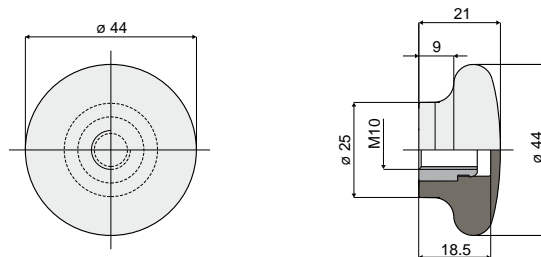


Code
386 / 84124

MATERIALS: Handle in reinforced polypropylene, orange colour.
FEATURES: To be used as protection for the pins edges; can be used with pin Part.301 (Dp = 16 mm.).
BOX QUANTITY: 24 pieces.

- ON REQUEST:**
- Handles: in reinforced polypropylene, different colours.
 - Box quantity: According to your request.

Round handle Part. **334**
(\varnothing 44 mm)

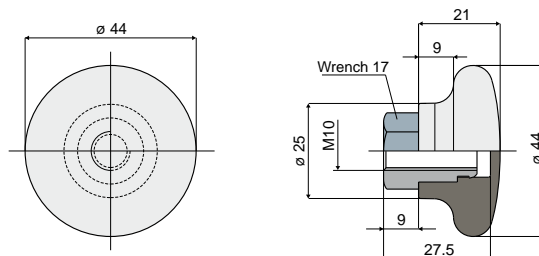


Code
334 / 83116

MATERIALS: Handle made of reinforced polyamide black colour; threaded bushing made of nickel plated brass.
FEATURES: Accessory to be used with heads Part.221 and 266.
BOX QUANTITY: 24 pieces.

- ON REQUEST:**
- Handles: In reinforced polypropylene, in different colours.
 - Box quantity: According to your request.

Round handle Part. **337**
(\varnothing 44 mm)

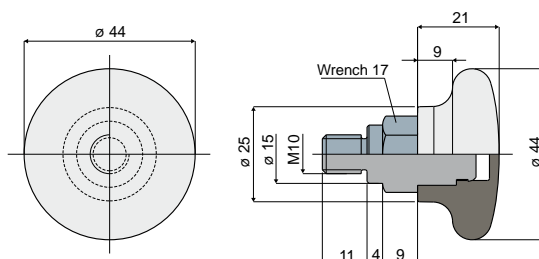


Code
337 / 83302

MATERIALS: Handle made of reinforced polyamide black colour; threaded bushing made of nickel plated brass.
FEATURES: Accessory to be used with heads Part.221 and 266.
BOX QUANTITY: 24 pieces.

- ON REQUEST:**
- Handles: In reinforced polypropylene, in different colours.
 - Box quantity: According to your request.

Round handle Part. **338**
(\varnothing 44 mm)



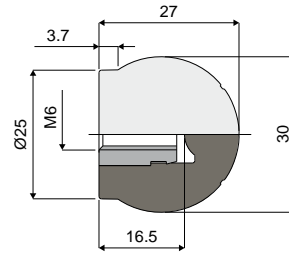
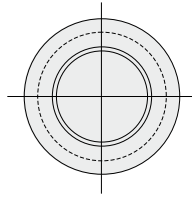
Code
338 / 83303

MATERIALS: Handle made of reinforced polyamide black colour; threaded bushing made of nickel plated brass.
FEATURES: Accessory to be used with head Part.223.
BOX QUANTITY: 24 pieces.

- ON REQUEST:**
- Handles: In reinforced polypropylene, in different colours.
 - Box quantity: According to your request.

Knobs and handles

Part. 382 Ball handle



Code
382 / 84119

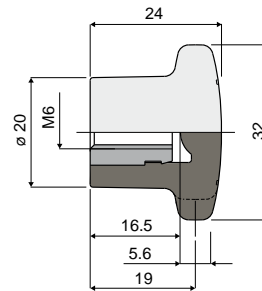
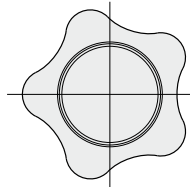
MATERIALS: Ball handle made of reinforced polyamide, black colour; threaded bushing in nickel plated brass.

BOX QUANTITY: 24 pieces.

ON REQUEST:

- Handles: Made in reinforced polypropylene, different colours.
- Box quantity: According to your request.

Part. 383 Knob



Code
383 / 84120

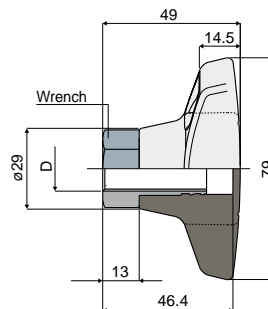
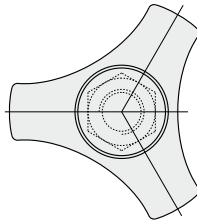
MATERIALS: Knob made of reinforced polyamide, black colour; threaded bushing in nickel plated brass.

BOX QUANTITY: 24 pieces.

ON REQUEST:

- Knobs: In reinforced polypropylene, in different colours
- Box quantity: According to your request.

Part. 350 Knob



D	Wrench	Code
M12	19	350 / 83398
M16	24	350 / 83399

MATERIALS: Knob made of reinforced polypropylene black colour; threaded bushing in nickel plated brass.

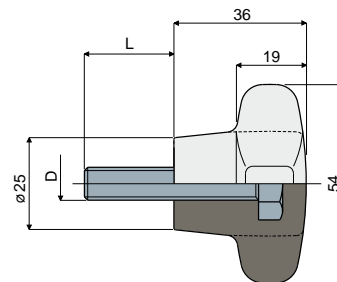
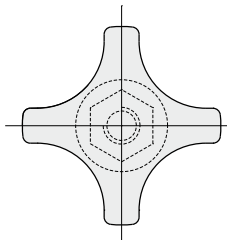
FEATURES: Accessory to be used with heads Part.221 and 266.

BOX QUANTITY: 24 pieces.

ON REQUEST:

- Knobs: In different colours.
- Box quantity: According to your request.

Part. 294 Knob for bracket (reinforced type)



D (mm)	L (mm)	Code
M8	22	294 / 82805
M10	22	294 / 82588

MATERIALS: Knob made of reinforced polyamide black colour; bolt made of stainless steel AISI 304.

FEATURES: Accessory to be used with head Part.223.

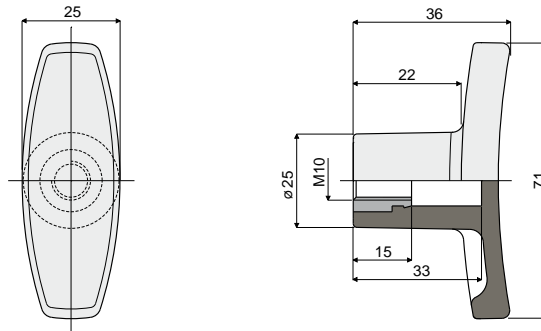
BOX QUANTITY: 24 pieces.

ON REQUEST:

- Knobs: Made of reinforced polypropylene, in different colours.
- Box quantity: According to your request.

Knobs and handles

"T"- handle Part. 303



Code
303 / 82806

MATERIALS: Handle is made of reinforced polyamide black colour; threaded bushing is made of nickel plated brass.

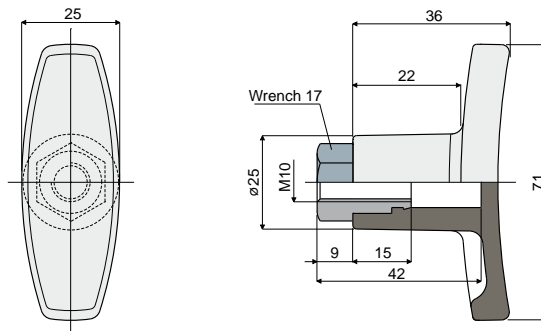
FEATURES: Accessory to be used with heads Part.221 and 266.

BOX QUANTITY: 24 pieces.

ON REQUEST:

- Handles: Made of reinforced polypropylene, in different colours.
- Box quantity: According to your request.

"T"- handle Part. 304



Code
304 / 82807

MATERIALS: Handle is made of reinforced polyamide black colour; threaded bushing is made of nickel plated brass.

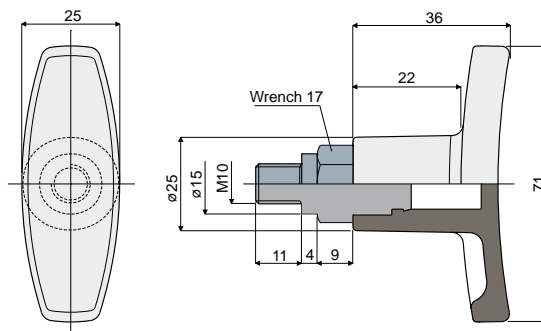
FEATURES: Accessory to be used with heads Part.221 and 266.

BOX QUANTITY: 24 pieces.

ON REQUEST:

- Handles: Made of reinforced polypropylene, in different colours.
- Box quantity: According to your request.

"T"- handle Part. 305



Code
305 / 82808

MATERIALS: Handle is made of reinforced polyamide black colour; threaded bushing is made of nickel plated brass.

FEATURES: Accessory to be used with heads Part.223.

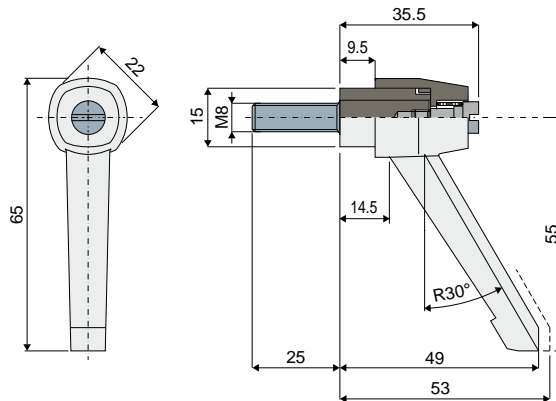
BOX QUANTITY: 24 pieces.

ON REQUEST:

- Handles: Made of reinforced polypropylene, in different colours.
- Box quantity: According to your request.

Knobs and handles

Part. 397 Ratchet handle clamping



Code
397 / 84260

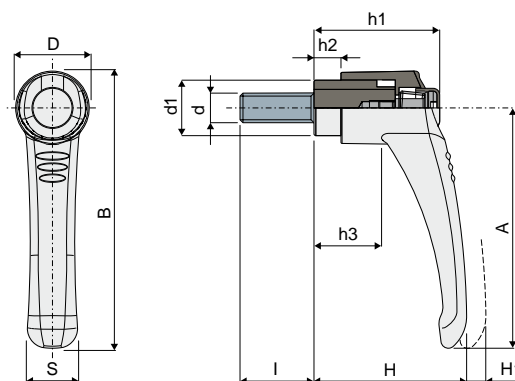
MATERIALS: Handle made of reinforced polyamide black colour; threaded insert made of stainless steel AISI 304.

BOX QUANTITY: 24 pieces.

ON REQUEST:

- Box quantity: According to your request.

Part. 400 Ratchet handle clamping



Code	A	B	D	S	H	H1	h1	h3	d1	h2	d	I
400 / 86693	65	75	19,5	11,5	42,5	3,5	38	9,5	15	8,5	M8	25
400 / 84316	80	93	24	14	54,5	4	49	13	20	11,5	M10	25

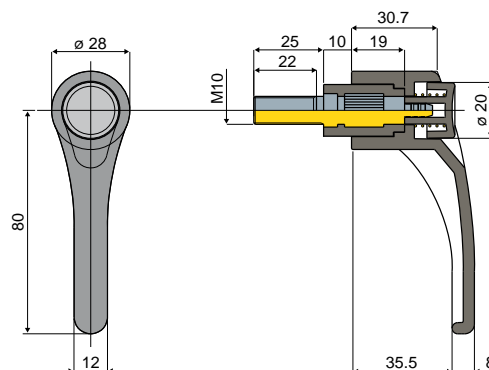
MATERIALS: Handle made of reinforced polyamide black colour with push button in orange colour; threaded insert made of stainless steel AISI 304.

BOX QUANTITY: 24 pieces.

ON REQUEST:

- Box quantity: According to your request.

Part. 332 Ratchet handle clamping



Code
332 / 83113

MATERIALS: Handle made of reinforced polyamide black colour with push button in orange colour; threaded insert made of zinc plated steel.

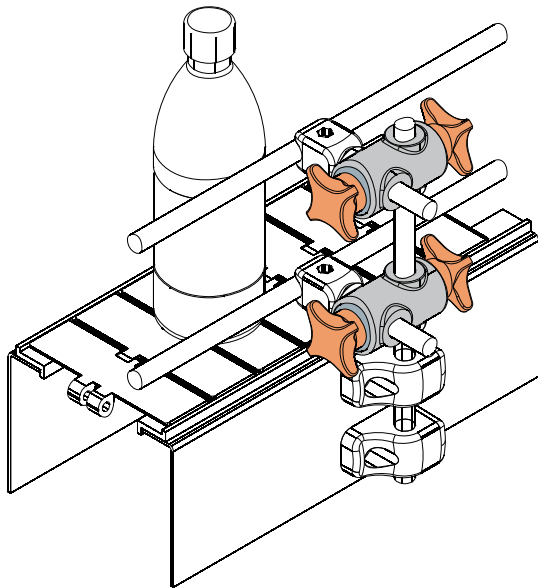
BOX QUANTITY: 24 pieces.

ON REQUEST:

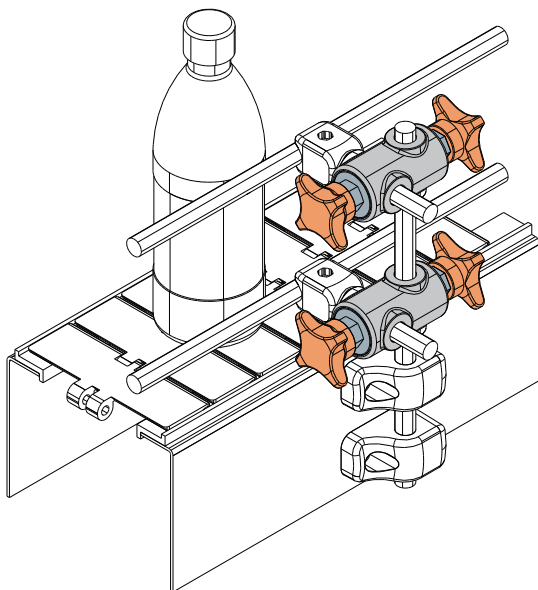
- Box quantity: According to your request.

Clamps

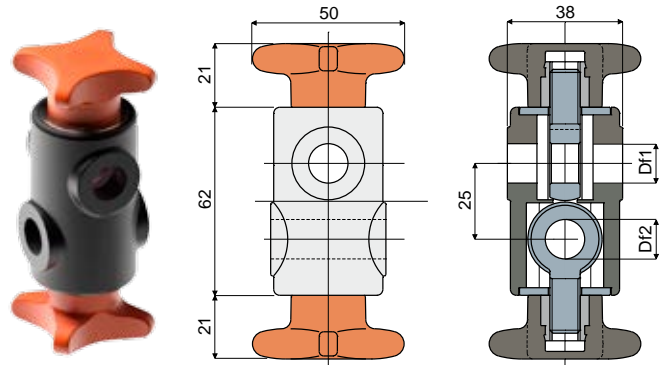
Example of application



Example of application



Cross block Part. 297



Df1 Bore for pin of (mm)	Df2 Bore for pin of (mm)	Code
12	12	297 / 82658

MATERIALS: Housing in reinforced polyamide black colour and knob in reinforced polyamide orange colour; eyebolts in stainless steel AISI 304; threaded insert in nickel plated brass.

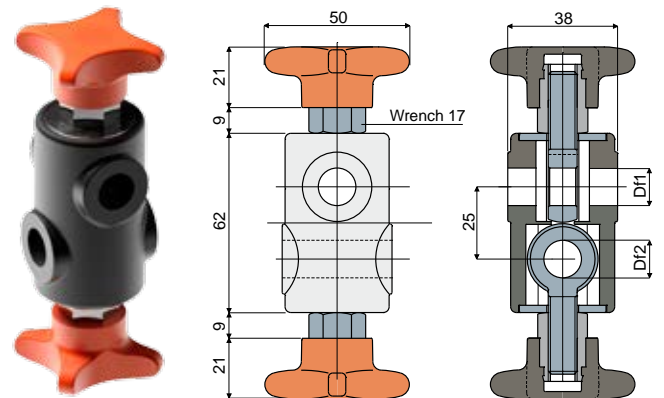
FEATURES: To be used to support the rail-holder pins.

BOX QUANTITY: 24 pieces.

ON REQUEST:

- Housings and Knobs: In different colours.
- Box quantity: According to your request.

Cross block Part. 312



Df1 Bore for pin of (mm)	Df2 Bore for pin of (mm)	Code
12	12	312 / 82845
12	14	312 / 87811
12	16	312 / 87812
14	14	312 / 82846
14	16	312 / 87813
16	16	312 / 82847

MATERIALS: Housing in reinforced polyamide black colour and knob in reinforced polyamide orange colour; eyebolts in stainless steel AISI 304; threaded insert in nickel plated brass.

FEATURES: To be used to support the rail-holder pins.

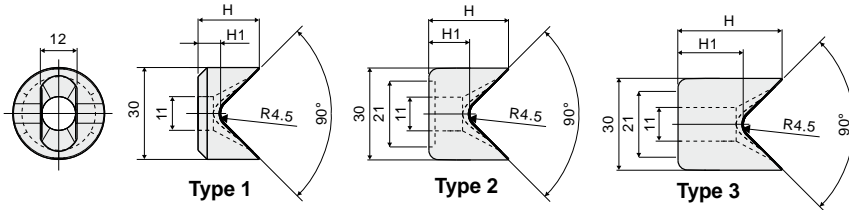
BOX QUANTITY: 24 pieces.

ON REQUEST:

- Housings and Knobs: In different colours.
- Box quantity: According to your request.

Clamps

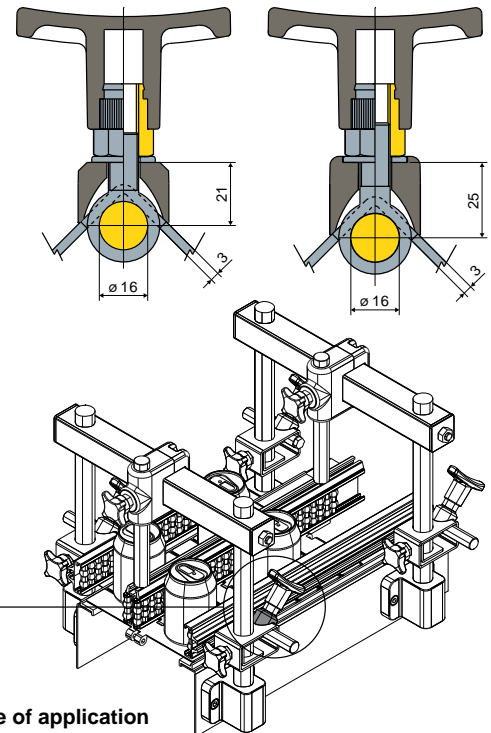
Part. 333 Bushing for eyebolt



H (mm)	H1 (mm)	Type	Code
20	7,3	Type 1	333 / 83117
26	13,3	Type 2	333 / 83115
34	21,3	Type 3	333 / 84025

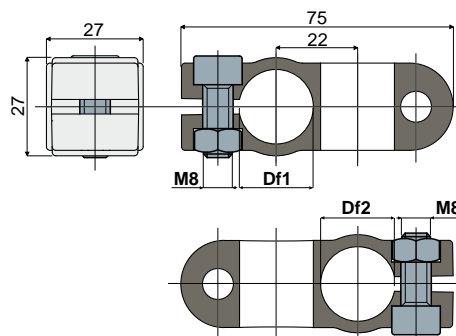
MATERIALS: Bushing made of reinforced polyamide black colour.
FEATURES: To be used with the eyebolts to block the pins holding the transport guides.
BOX QUANTITY: 24 pieces.
ON REQUEST:

- Bushings: In different colours.
- Box quantity: According to your request.



Guide rail clamps

Part. 470 Cross clamp

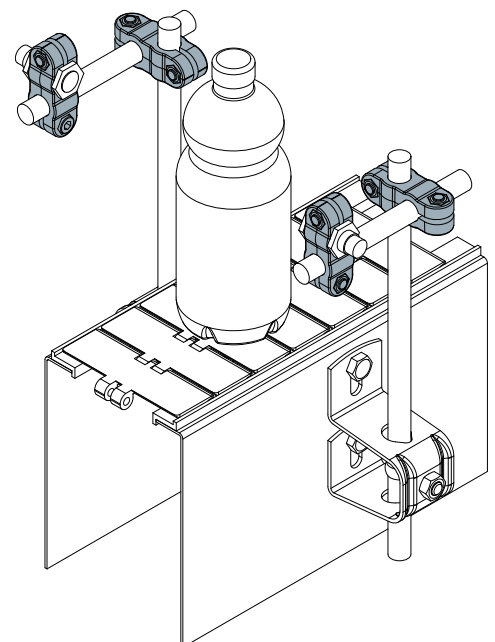


Bore for pin of		Version with bolts and nuts	Version without bolts and nuts
Df1 round (mm)	Df2 round (mm)		
16	16	470 / 85598	470 / 86710
16	20	470 / 85599	470 / 86711
20	20	470 / 85600	470 / 86712

MATERIALS: Clamp, bolts and nuts in stainless steel AISI 304.
BOX QUANTITY: 24 pieces.
ON REQUEST:

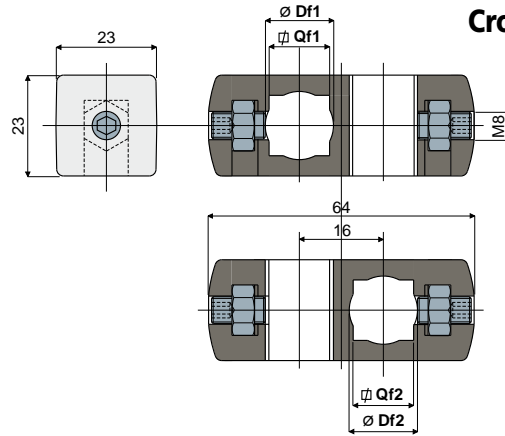
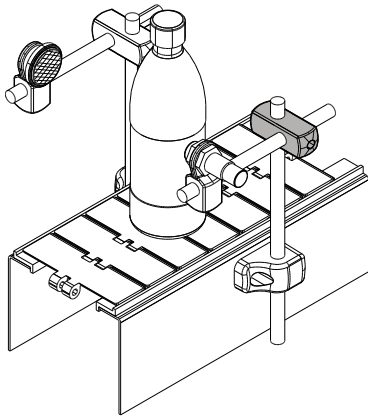
- Box quantity: According to your request.

Example of application



Clamps

Example of application



Cross clamp Part. **239**



Bore for pin of		Bore for pin of		Code
Df1	Qf1	Df2	Qf2	
round (mm)	square (mm)	round (mm)	square (mm)	
10	8	10	8	239 / 80993
12	10	12	10	239 / 80994
14	12	14	12	239 / 80995

MATERIALS: Clamp made of reinforced polyamide black colour; grub screws and nuts made of stainless steel AISI 304.

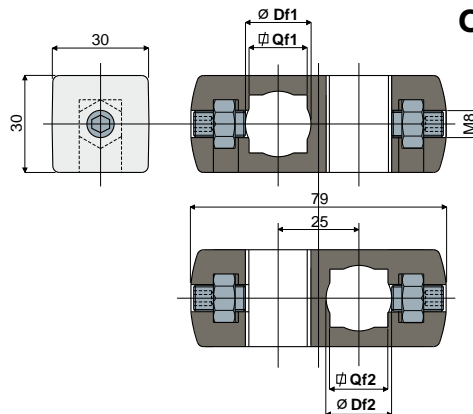
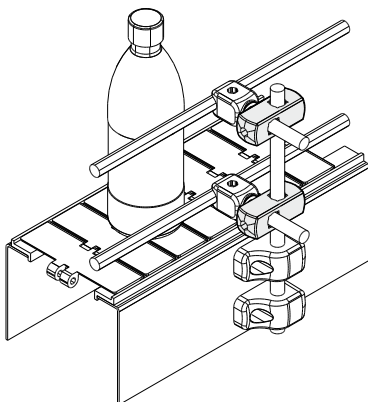
FEATURES: This part can be used with round and square pins either.

BOX QUANTITY: 24 pieces.

ON REQUEST:

- Clamps: In different colours.
- Box quantity: According to your request.

Example of application



Cross clamp Part. **241**



Bore for pin of		Bore for pin of		Code
Df1	Qf1	Df2	Qf2	
round (mm)	square (mm)	round (mm)	square (mm)	
14	12	14	12	241 / 80988
14	12	15	-	241 / 89147
14	12	16	-	241 / 89149
14	12	18	-	241 / 82117
14	12	20	-	241 / 82540
15	-	15	-	241 / 80989
15	-	16	-	241 / 89148
15	-	18	-	241 / 89151
15	-	20	-	241 / 89152
16	-	16	-	241 / 80990
16	-	18	-	241 / 89150
16	-	20	-	241 / 82271
18	-	18	-	241 / 80991
18	-	20	-	241 / 89153
20	-	20	-	241 / 80992

MATERIALS: Clamp made of reinforced polyamide black colour; grub screws and nuts made of stainless steel AISI 304.

FEATURES: This part can be used with round and square pins either, only in the version Df1 14.

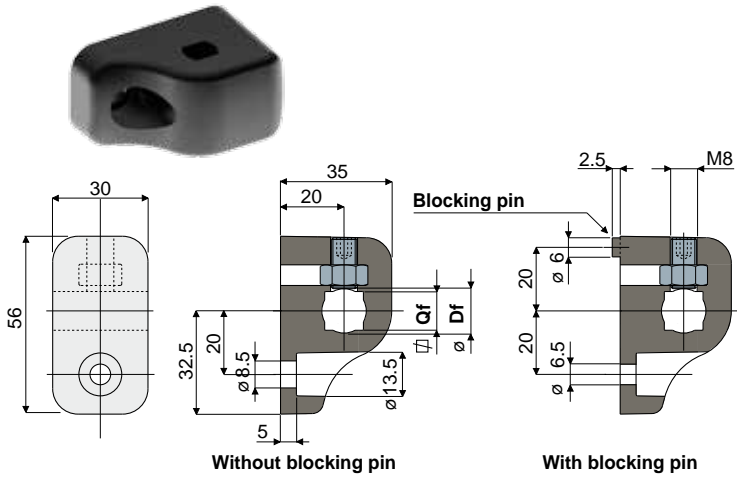
BOX QUANTITY: 24 pieces.

ON REQUEST:

- Clamps: In different colours.
- Box quantity: According to your request.

Clamps

Part. 237 Clamp (to support rails and photocells)



Bore for pin of		Without blocking pin	With blocking pin
Df round (mm)	Qf square (mm)	Code	Code
10	8	237 / 80958	237 / 80961
12	10	237 / 80959	237 / 80962
14	12	237 / 80960	237 / 80963

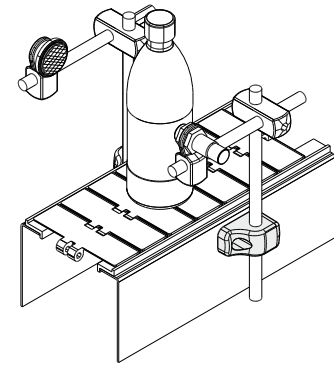
MATERIALS: Clamp made of reinforced polyamide black colour; grub screw and nut made of stainless steel AISI 304.

FEATURES: This part can be used with round and square pins either.

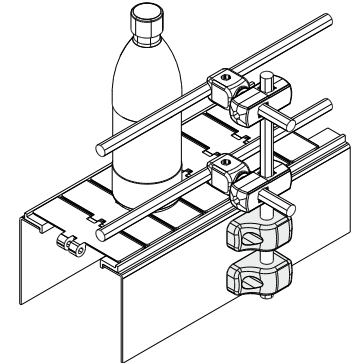
BOX QUANTITY: 24 pieces.

ON REQUEST:

- Clamps: In different colours.
- Box quantity: According to your request.

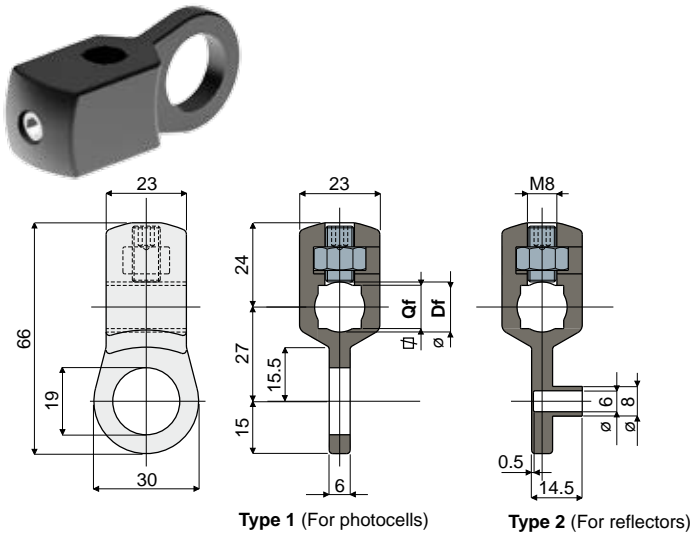


With blocking pin
(Suitable to support photocells)



Without blocking pin
(Suitable to support guide)

Part. 240 Clamp (for photocells and reflectors)



Bore for pin of		Type 1 (for photocells)	Type 2 (for reflectors)
Df round (mm)	Qf square (mm)	Code	Code
10	8	240 / 80996	240 / 80997
12	10	240 / 80998	240 / 80999
14	12	240 / 81000	240 / 81001

MATERIALS: Clamp made of reinforced polyamide black colour; grub screw and nut made of stainless steel AISI 304.

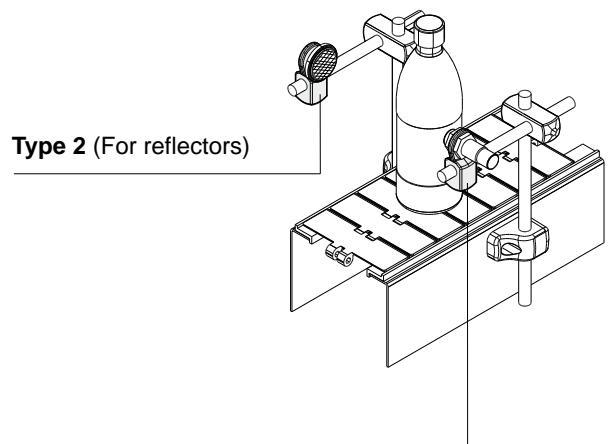
FEATURES: This part can be used with round and square pins either.

BOX QUANTITY: 24 pieces.

ON REQUEST:

- Clamps: In different colours.
- Box quantity: According to your request.

Example of application

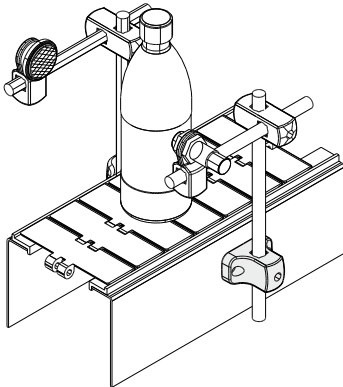


Type 2 (For reflectors)

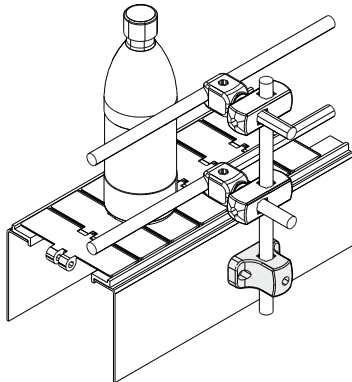
Type 1 (For photocells)

Clamps

Example of applications

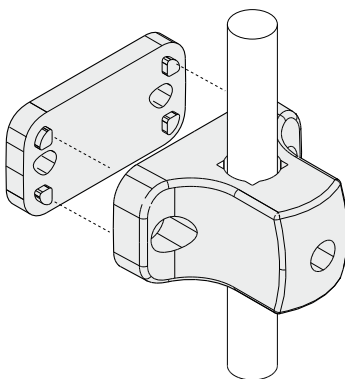


To support photocells

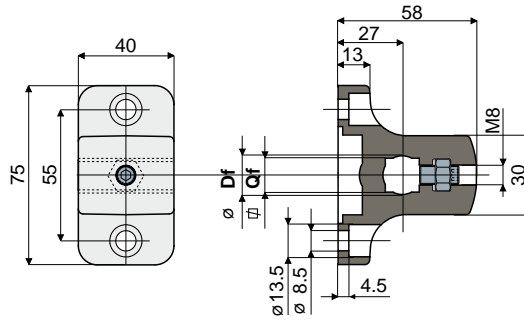


To support guide

Example of application



"T" clamp Part. 539 (to support rails and photocells)



Bore for pin of		Code
Df round (mm)	Qf square (mm)	
16	14	539 / 89101
18	16	539 / 89102
20	18	539 / 89103

MATERIALS: Clamp made of reinforced polyamide black colour; grub screw and nut made of stainless steel AISI 304.

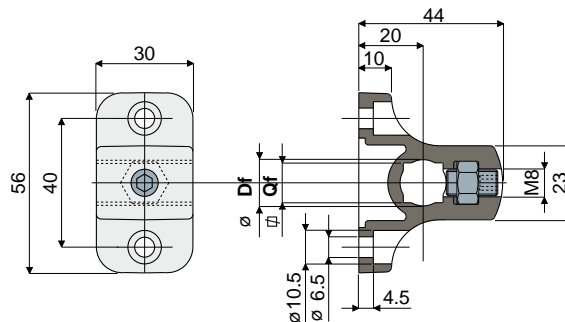
FEATURES: This part can be used with round and square pins either.

BOX QUANTITY: 24 pieces.

ON REQUEST:

- Clamps: In different colours.
- Box quantity: According to your request.

"T" clamp Part. 238 (to support rails and photocells)



Bore for pin of		Code
Df round (mm)	Qf square (mm)	
10	8	238 / 80985
12	10	238 / 80986
14	12	238 / 80987

MATERIALS: Clamp made of reinforced polyamide black colour; grub screw and nut made of stainless steel AISI 304.

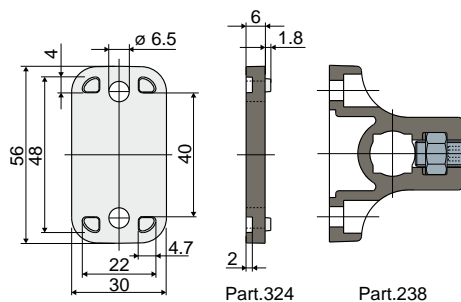
FEATURES: This part can be used with round and square pins either.

BOX QUANTITY: 24 pieces.

ON REQUEST:

- Clamps: In different colours.
- Box quantity: According to your request.

Spacer for clamp Part. 324 (for "T" clamp Part. 238)



Code
324 / 82971

MATERIALS: Spacer made of reinforced polyamide black colour.

FEATURES: Accessory to be applied to "T" clamp Part.238.

BOX QUANTITY: 24 pieces.

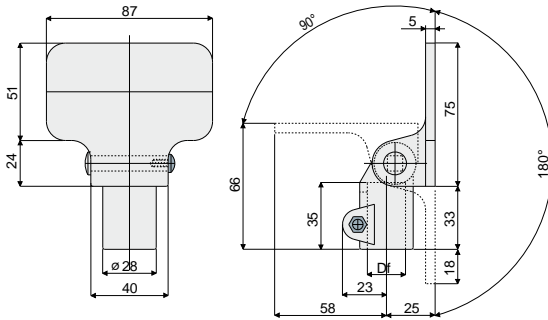
ON REQUEST:

- Spacers: In different colours.
- Box quantity: According to your request.

Clamps

Part. 206

Clamp support for photocells (for photocells and reflectors)



Df Bore for pin of (mm)	Code
12	206 / 82010 (can be used also with square pins 10x10)
14	206 / 80818
15	206 / 80819
16	206 / 80820
18	206 / 80821
20	206 / 80822

MATERIALS: Clamp made of reinforced polyamide black colour; bolts and nuts made of stainless steel AISI 304.

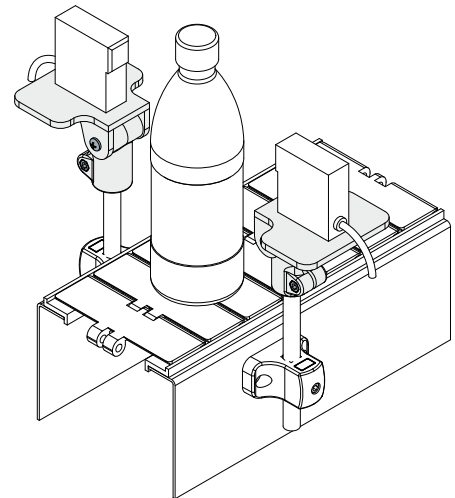
FEATURES: Possibility of assembly in various positions.

BOX QUANTITY: 24 pieces.

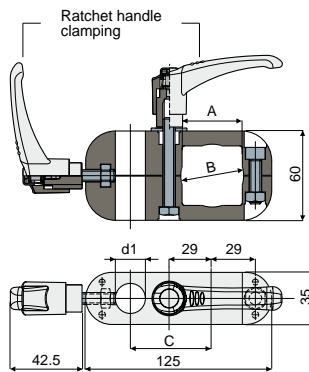
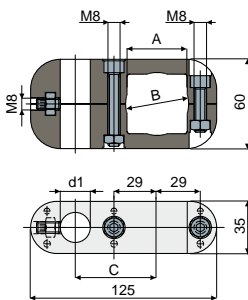
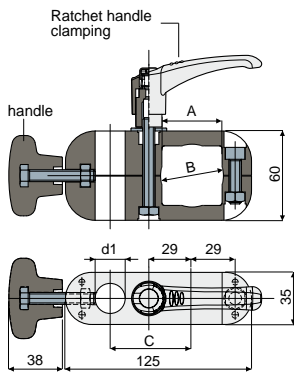
ON REQUEST:

- Clamps: In different colours.
- Box quantity: According to your request.

Example of application



Part. 435 Cross clamp for central roller guides support



Type 1

Type 2

Type 3

Square tube	Round tube	Pin ø	Type 1	Type 2	Type 3	
A	B	C	d1	Code	Code	Code
40	42,4	58	15-16	435 / 85166	435 / 85167	435 / 86692
		56	20	435 / 85168	435 / 85169	435 / 86691

MATERIALS: Clamp and handles are made of reinforced polyamide black colour; nuts, screws and washer in stainless steel AISI 304.

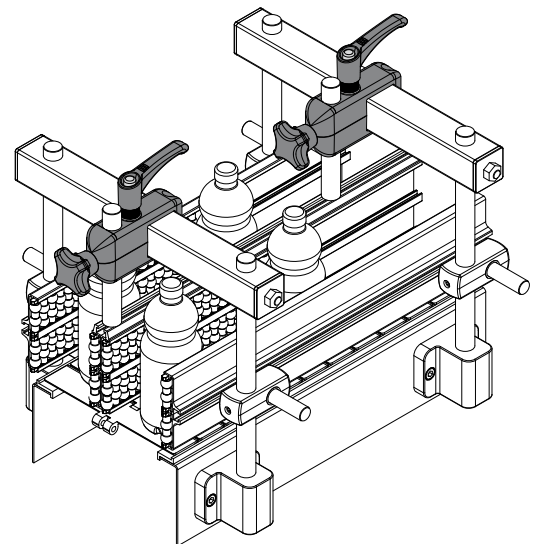
FEATURES: They are used to support the central rollers side guides.

BOX QUANTITY: 8 pieces.

ON REQUEST:

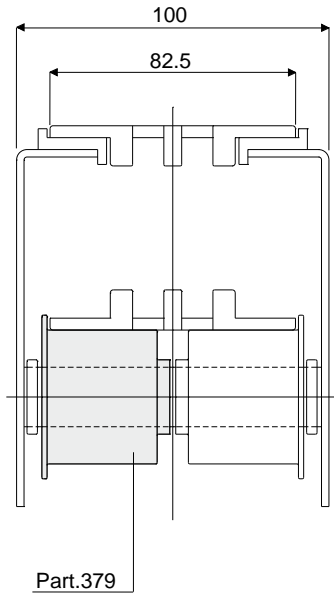
- Assembling of: Knobs, handles, bolts and nuts.
- Box quantity: According to your request.

Example of application



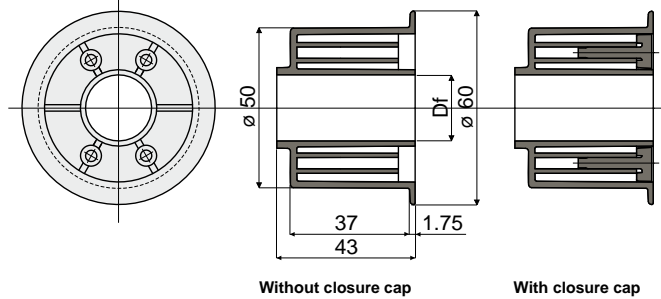
Return rollers

Example of application



Roller for chain return (with flange)

Part. **379**



Df Bore for pin of (mm)	Without closure cap	With closure cap
	Code	Code
12	379 / 90647	379 / 90650
15	379 / 84069	379 / 90651
16	379 / 90648	379 / 90652
18	379 / 90649	379 / 90653
20	379 / 84070	379 / 90654

MATERIALS: Roller made of reinforced polyamide, black colour; cap made out of polyamide, grey colour.

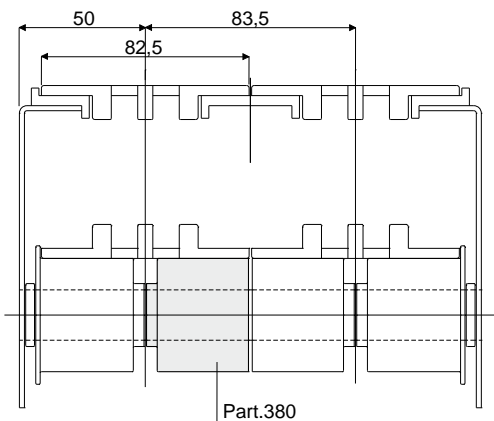
FEATURES: To be assembled in the chain return.

BOX QUANTITY: 96 pieces.

ON REQUEST:

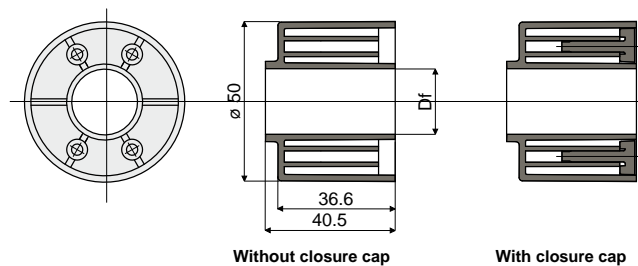
- Rollers: In different colours.
- Box quantity: According to your request.

Example of application



Roller for chain return (without flange)

Part. **380**



Df Bore for pin of (mm)	Without closure cap	With closure cap
	Code	Code
12	380 / 90657	380 / 90660
15	380 / 84071	380 / 90661
16	380 / 90658	380 / 90662
18	380 / 90659	380 / 90663
20	380 / 84072	380 / 90664

MATERIALS: Roller made of reinforced polyamide, black colour; cap made out of polyamide, grey colour.

FEATURES: To be assembled in the chain return.

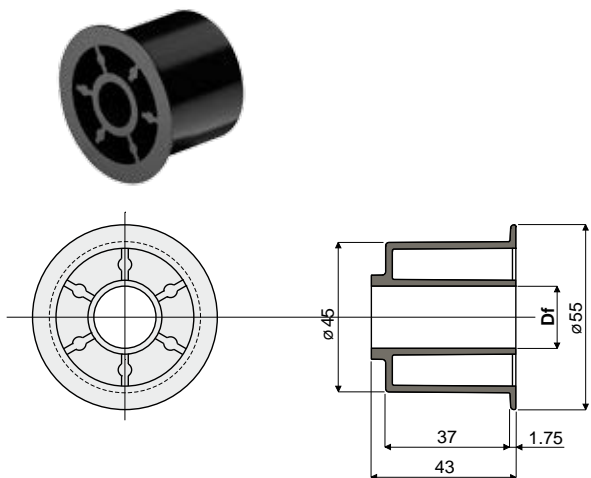
BOX QUANTITY: 96 pieces.

ON REQUEST:

- Rollers: In different colours.
- Box quantity: According to your request.

Return rollers

Part. 270 Roller for chain return (with flange)



Df Bore for pin of (mm)	Code
15	270 / 82042
20	270 / 82043

MATERIALS: Roller made of polyamide black colour.

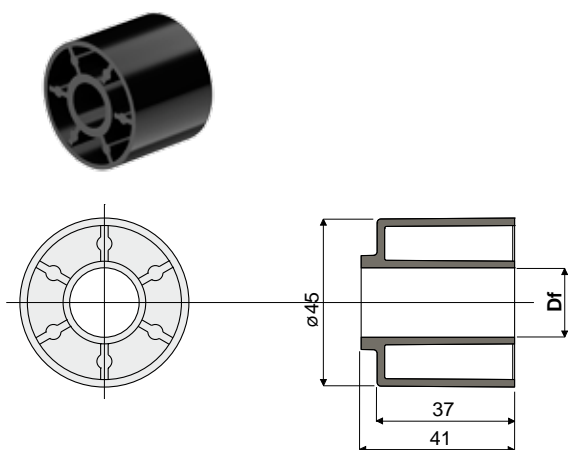
FEATURES: To be assembled in the chain return.

BOX QUANTITY: 96 pieces.

ON REQUEST:

- Rollers: In different colours.
- Box quantity: According to your request.

Part. 271 Roller for chain return (without flange)



Df Bore for pin of (mm)	Code
15	271 / 82044
20	271 / 82045

MATERIALS: Roller made of polyamide black colour.

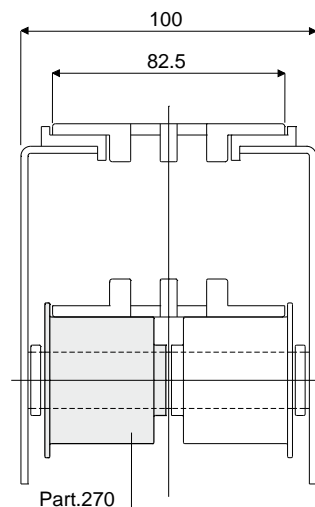
FEATURES: To be assembled in the chain return.

BOX QUANTITY: 96 pieces.

ON REQUEST:

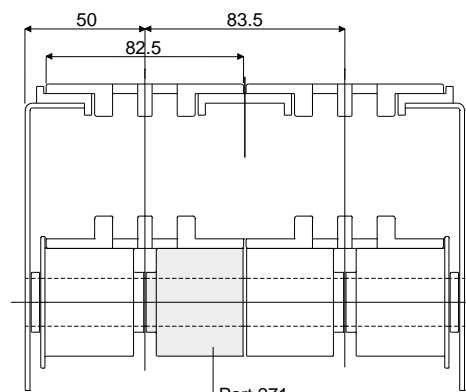
- Rollers: In different colours.
- Box quantity: According to your request.

Example of application



Part.270

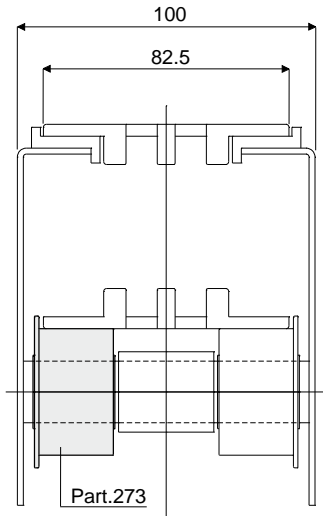
Example of application



Part.271

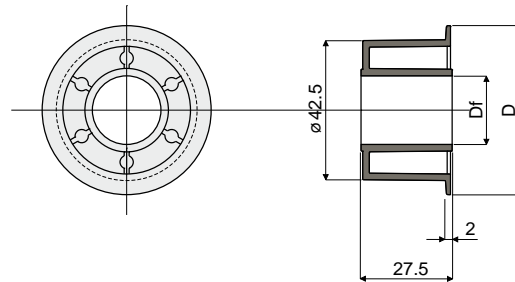
Return rollers

Example of application



Roller for chain return (with flange)

Part. **273**



Df Bore for pin of (mm)	D = 51	D = 55
	Code	Code
12	273 / 82048	273 / 85337
16	273 / 82049	273 / 85338
18	273 / 82050	273 / 85339
20	273 / 82051	273 / 85340

MATERIALS: Roller made of polyamide black colour.

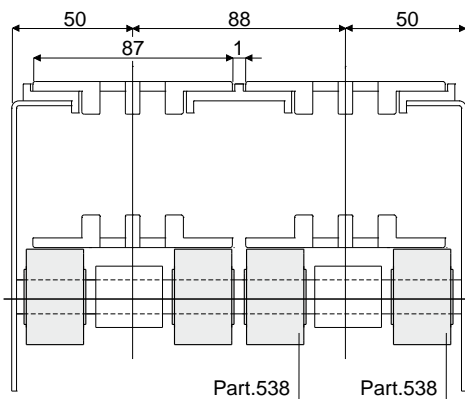
FEATURES: To be assembled in the chain return.

BOX QUANTITY: 96 pieces.

ON REQUEST:

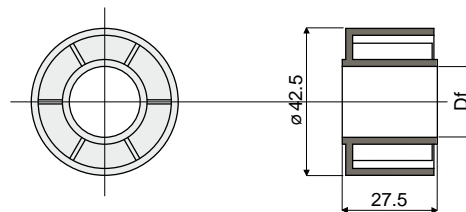
- Rollers: In different colours.
- Box quantity: According to your request.

Example of application



Roller for chain return (without flange)

Part. **538**



Df Bore for pin of (mm)	Code
12	538 / 88821
16	538 / 88822
18	538 / 88823
20	538 / 88824

MATERIALS: Roller made of polyamide black colour.

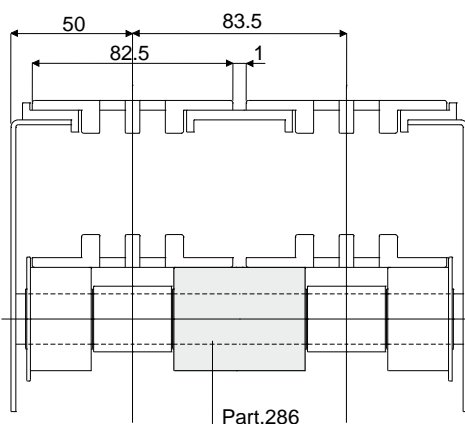
FEATURES: To be assembled in the chain return.

BOX QUANTITY: 96 pieces.

ON REQUEST:

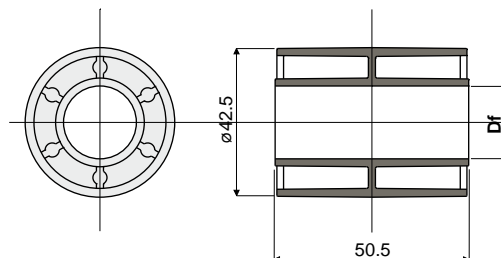
- Rollers: In different colours.
- Box quantity: According to your request.

Example of application



Double roller for chain return (without flange)

Part. **286**



Df Bore for pin of (mm)	Code
12	286 / 82532
16	286 / 82533
18	286 / 82534
20	286 / 82535

MATERIALS: Roller made of polyamide black colour.

FEATURES: To be assembled in the chain return.

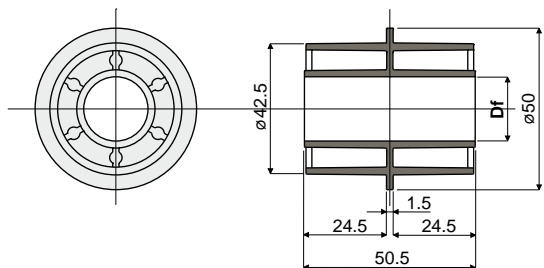
BOX QUANTITY: 96 pieces.

ON REQUEST:

- Rollers: In different colours.
- Box quantity: According to your request.

Return rollers

Part. 287 Double roller for chain return (with central flange)



Df Bore for pin of (mm)	Code
12	287 / 82536
16	287 / 82537
18	287 / 82538
20	287 / 82539

MATERIALS: Roller made of polyamide black colour.

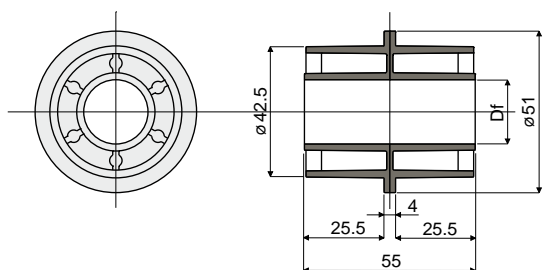
FEATURES: To be assembled in the chain return.

BOX QUANTITY: 96 pieces.

ON REQUEST:

- Rollers: In different colours.
- Box quantity: According to your request.

Part. 274 Double roller for chain return (with central flange)



Df Bore for pin of (mm)	Code
12	274 / 82052
16	274 / 82053
18	274 / 82054
20	274 / 82055

MATERIALS: Roller made of polyamide black colour.

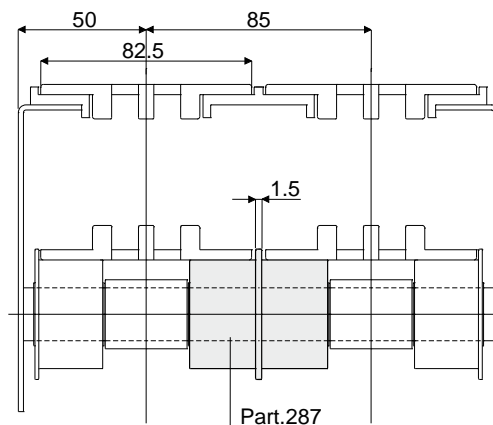
FEATURES: To be assembled in the chain return.

BOX QUANTITY: 96 pieces.

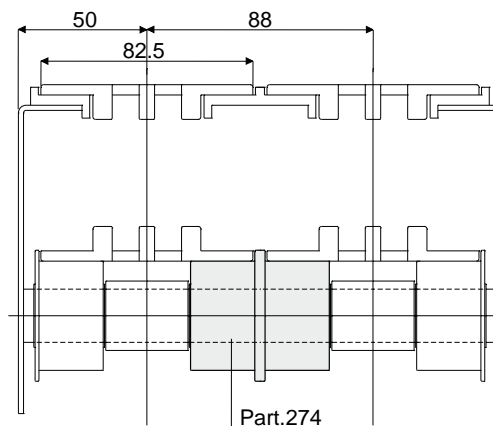
ON REQUEST:

- Rollers: In different colours.
- Box quantity: According to your request.

Example of application

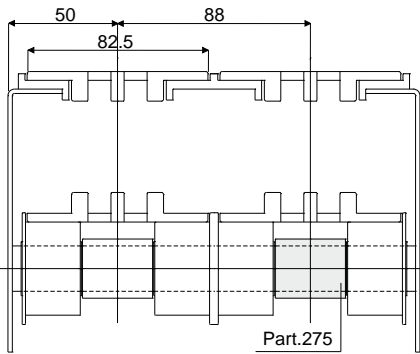


Example of application

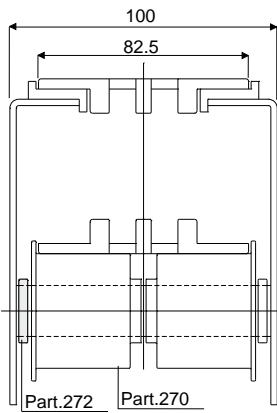


Return rollers

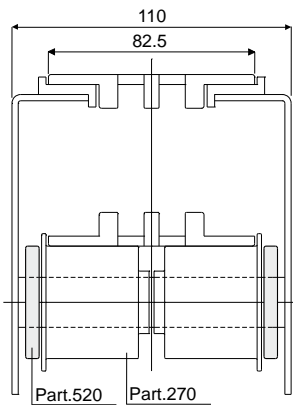
Example of application



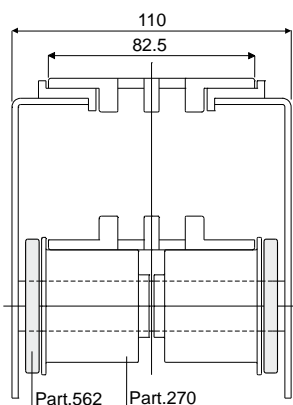
Example of application



Example of application



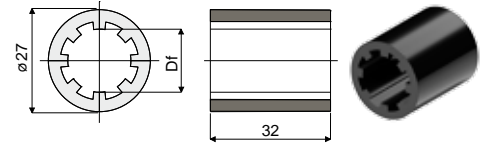
Example of application



Spacer for rollers for chain return

Part. **275**

Df Bore for pin of (mm)	Code
12	275 / 82056
16	275 / 82057
18	275 / 82058
20	275 / 82059



MATERIALS: Spacer made of polyamide black colour.
FEATURES: To be used as a spacer between the rollers.
BOX QUANTITY: 96 pieces.

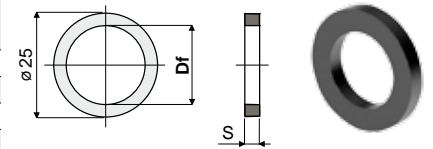
ON REQUEST:

- Spacers: In different colours.
- Box quantity: According to your request.

Spacer for rollers for chain return

Part. **272**

Df Bore for pin of (mm)	S	Code
15	3,5	272 / 82046
	5	272 / 83331
16	3,5	272 / 86091
	5	272 / 86091
20	3,5	272 / 82047
	5	272 / 85186



MATERIALS: Spacer made of polyamide black colour.
FEATURES: To be used as a spacer between the rollers.
BOX QUANTITY: 96 pieces.

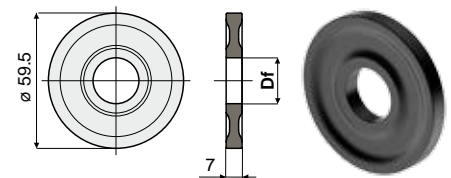
ON REQUEST:

- Spacers: In different colours.
- Box quantity: According to your request.

Spacer for rollers for chain return

Part. **520**

Df Bore for pin of (mm)	Code
20	520 / 87264



MATERIALS: Spacer made of polypropylene black colour.
FEATURES: To be used as a spacer between the rollers.
BOX QUANTITY: 96 pieces.

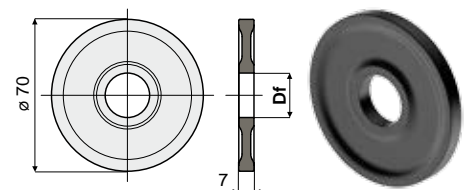
ON REQUEST:

- Spacers: In different colours.
- Box quantity: According to your request.

Spacer for rollers for chain return

Part. **562**

Df Bore for pin of (mm)	Code
12	562 / 90835
16	562 / 90836
20	562 / 90837



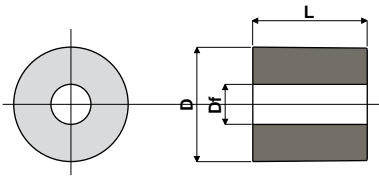
MATERIALS: Spacer made of polypropylene black colour.
FEATURES: To be used as a spacer between the rollers.
BOX QUANTITY: 96 pieces.

ON REQUEST:

- Spacers: In different colours.
- Box quantity: According to your request.

Return rollers

Part. 302 Spacer for chain profiles

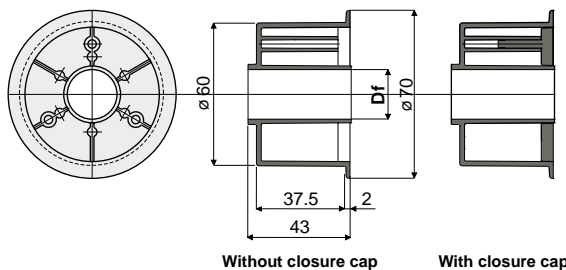


Df Bore diameter (mm)	D (mm)	L (mm)	Code
7	20	20	302 / 82797
7	20	27,5	302 / 82873

MATERIALS: Spacer made of reinforced polyamide black colour.
FEATURES: To be used as fixing spacer for chain profiles.
BOX QUANTITY: 96 pieces.
ON REQUEST:

- Spacers: In different colours.
- Box quantity: According to your request.

Part. 250 Roller for chain return (with flange)

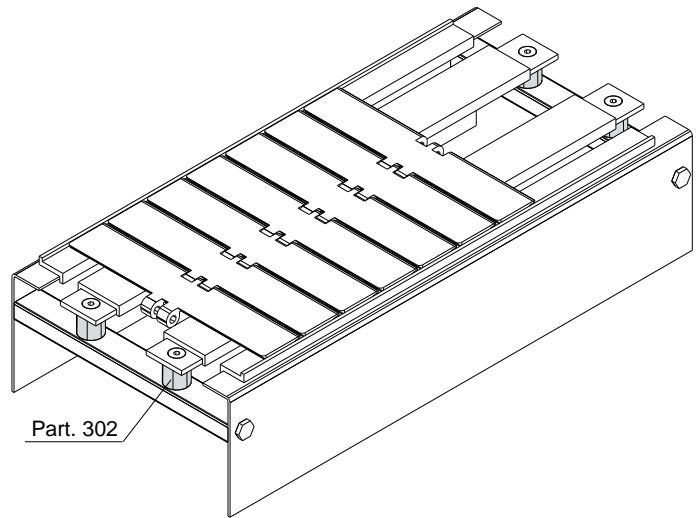


Df Bore for pin of (mm)	Without closure cap	With closure cap
	Code	Code
15	250 / 82201	250 / 82219
16	250 / 82202	250 / 82220
18	250 / 82203	250 / 82221
20	250 / 82204	250 / 82222

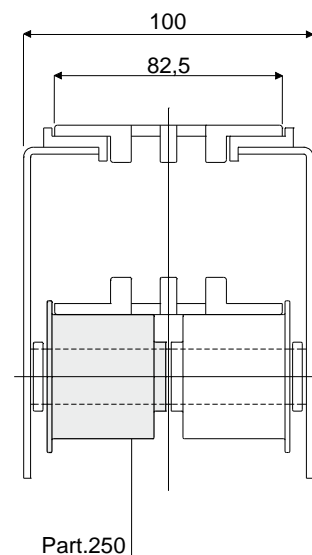
MATERIALS: Roller made out of polyamide black colour; cap made out of polyamide grey colour.
FEATURES: To be assembled in the chain return.
BOX QUANTITY: 96 pieces.
ON REQUEST:

- Rollers: In different colours.
- Box quantity: According to your request.

Example of application

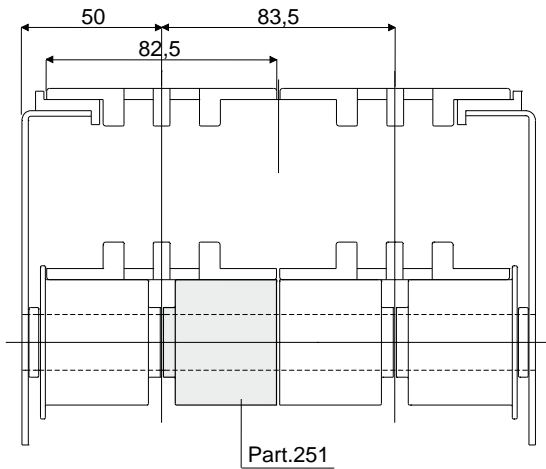


Example of application



Return rollers

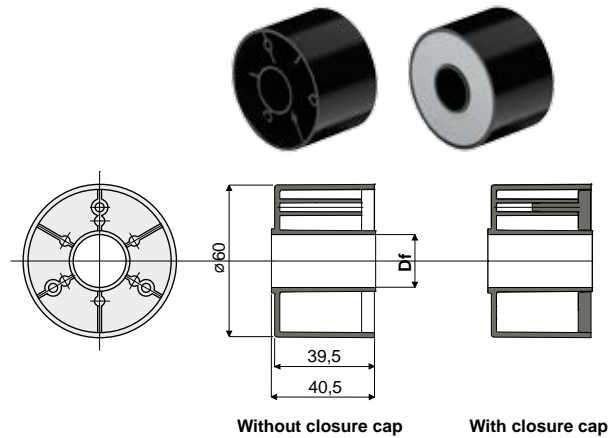
Example of application



Part.251

Roller for chain return (without flange)

Part. **251**



Df	Without closure cap	With closure cap
Bore for pin of (mm)	Code	Code
15	251 / 82205	251 / 82223
16	251 / 82206	251 / 82224
18	251 / 82207	251 / 82225
20	251 / 82208	251 / 82226

MATERIALS: Roller made out of polyamide black colour; cap made out of polyamide grey colour.

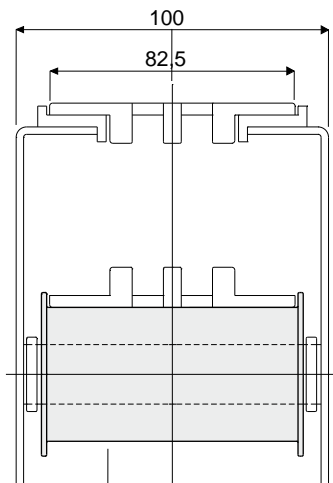
FEATURES: To be assembled in the chain return.

BOX QUANTITY: 96 pieces.

ON REQUEST:

- Rollers: In different colours.
- Box quantity: According to your request.

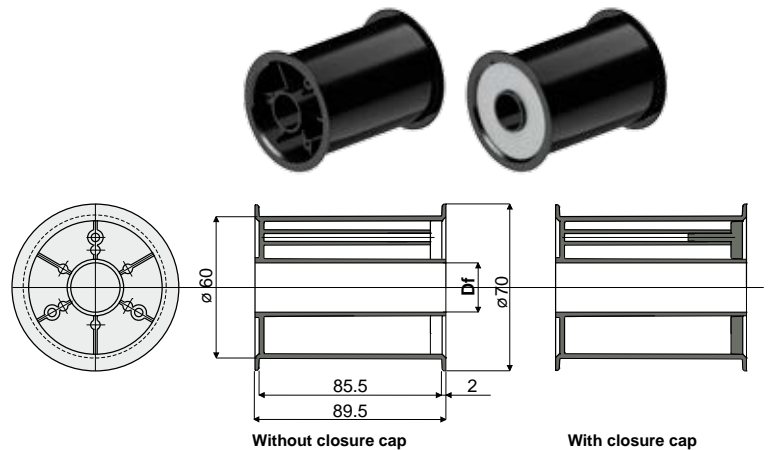
Example of application



Part.296

Roller for chain return (with double flange)

Part. **296**



Df	Without closure cap	With closure cap
Bore for pin of (mm)	Code	Code
12	296 / 82611	296 / 82612
14	296 / 82613	296 / 82614
15	296 / 82615	296 / 82616
16	296 / 82617	296 / 82618
18	296 / 82619	296 / 82620
20	296 / 82621	296 / 82622

MATERIALS: Roller made out of polyamide black colour; cap made out of polyamide grey colour.

FEATURES: To be assembled in the chain return.

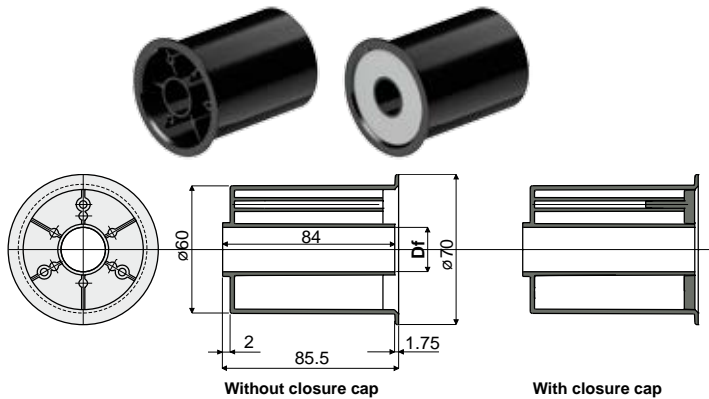
BOX QUANTITY: 48 pieces.

ON REQUEST:

- Rollers: In different colours.
- Box quantity: According to your request.

Return rollers

Part. 252 Roller for chain return (with flange)



Df Bore for pin of (mm)	Without closure cap		With closure cap	
	Code		Code	
12	252 / 82624		252 / 82625	
14	252 / 82258		252 / 82259	
15	252 / 82227		252 / 82231	
16	252 / 82228		252 / 82232	
18	252 / 82229		252 / 82233	
20	252 / 82230		252 / 82234	
25	252 / 83307		-	
30	252 / 83309		-	

MATERIALS: Roller made out of polyamide black colour; cap made out of polyamide grey colour.

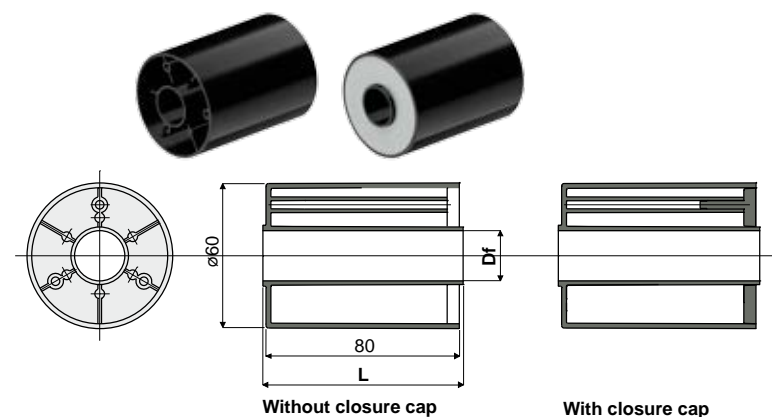
FEATURES: To be assembled in the chain return.

BOX QUANTITY: 48 pieces.

ON REQUEST:

- Rollers: In different colours.
- Box quantity: According to your request.

Part. 253 Roller for chain return (without flange)



Df Bore for pin of (mm)	Without closure cap		With closure cap	
	L = 82 mm Code	L = 84 mm Code	L = 82 mm Code	L = 84 mm Code
12	253 / 82626	253 / 82627	253 / 82628	253 / 82629
14	253 / 82260	253 / 82261	253 / 82262	253 / 82263
15	253 / 82235	253 / 82239	253 / 82243	253 / 82247
16	253 / 82236	253 / 82240	253 / 82244	253 / 82248
18	253 / 82237	253 / 82241	253 / 82245	253 / 82249
20	253 / 82238	253 / 82242	253 / 82246	253 / 82250
25	-	253 / 83313	-	-
30	-	253 / 83314	-	-

MATERIALS: Roller made out of polyamide black colour; cap made out of polyamide grey colour.

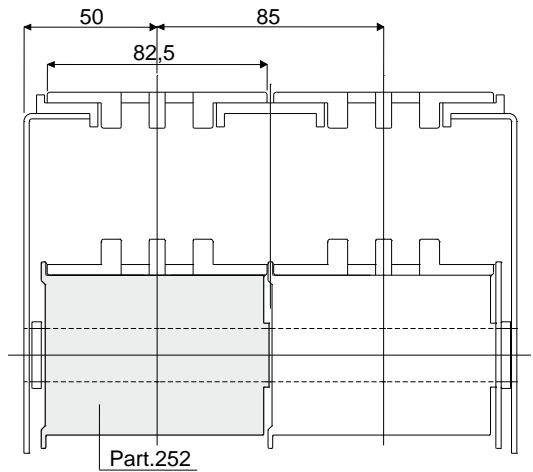
FEATURES: To be assembled in the chain return.

BOX QUANTITY: 48 pieces.

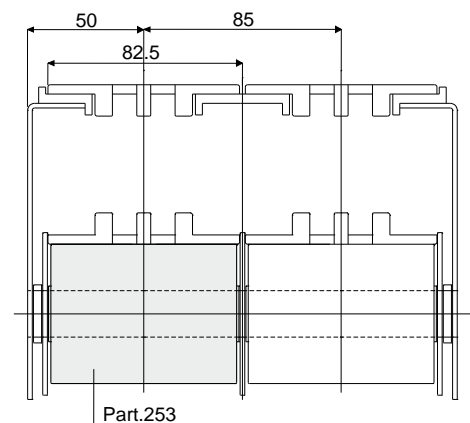
ON REQUEST:

- Rollers: In different colours.
- Box quantity: According to your request.

Example of application

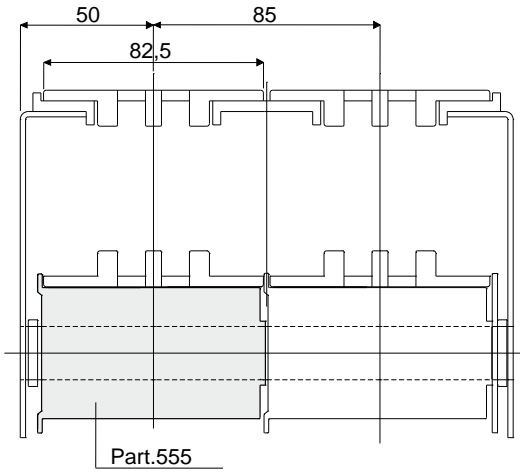


Example of application

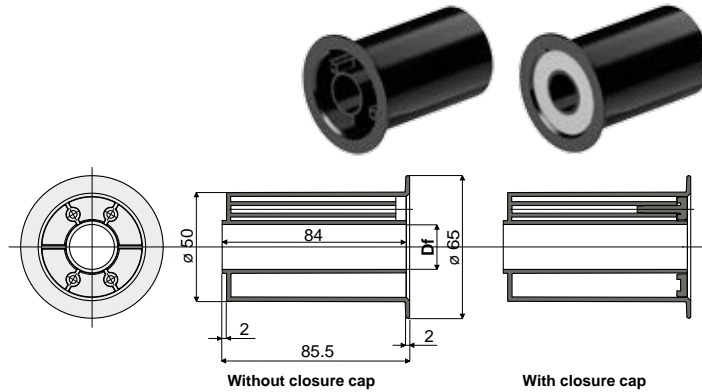


Return rollers

Example of application



Roller for chain return (with flange) Part. 555



Df Bore for pin of (mm)	Without closure cap		With closure cap	
	Code		Code	
12	555 / 90596		555 / 90601	
15	555 / 90597		555 / 90602	
16	555 / 90598		555 / 90603	
18	555 / 90599		555 / 90604	
20	555 / 90600		555 / 90605	

MATERIALS: Roller made out of polyamide black colour; cap made out of polyamide grey colour.

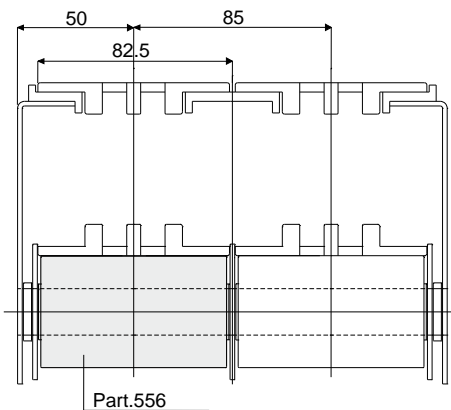
FEATURES: To be assembled in the chain return.

BOX QUANTITY: 48 pieces.

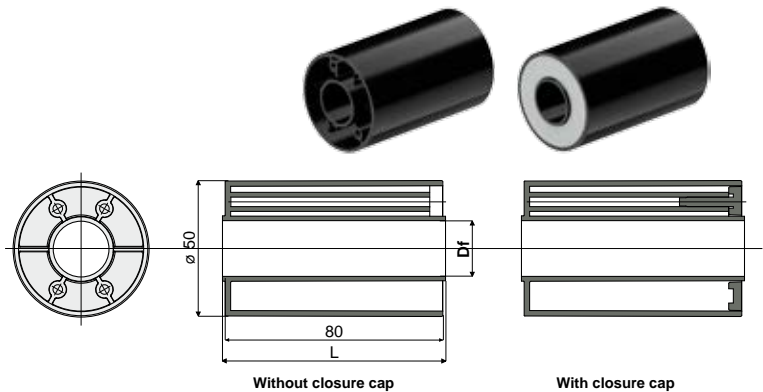
ON REQUEST:

- Rollers: In different colours.
- Box quantity: According to your request.

Example of application



Roller for chain return (without flange) Part. 556



Df Bore for pin of (mm)	Without closure cap				With closure cap			
	L = 82 mm		L = 84 mm		L = 82 mm		L = 84 mm	
	Code		Code		Code		Code	
12	556 / 90606	556 / 90616	556 / 90616	556 / 90611	556 / 90611	556 / 90621	556 / 90621	
15	556 / 90607	556 / 90617	556 / 90617	556 / 90612	556 / 90612	556 / 90622	556 / 90622	
16	556 / 90608	556 / 90618	556 / 90618	556 / 90613	556 / 90613	556 / 90623	556 / 90623	
18	556 / 90609	556 / 90619	556 / 90619	556 / 90614	556 / 90614	556 / 90624	556 / 90624	
20	556 / 90610	556 / 90620	556 / 90620	556 / 90615	556 / 90615	556 / 90625	556 / 90625	

MATERIALS: Roller made out of polyamide black colour; cap made out of polyamide grey colour.

FEATURES: To be assembled in the chain return.

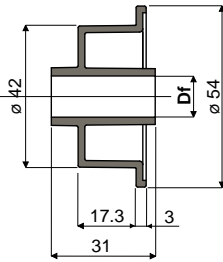
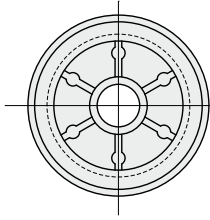
BOX QUANTITY: 48 pieces.

ON REQUEST:

- Rollers: In different colours.
- Box quantity: According to your request.

Return rollers

Part. 552 Roller for chain return (with flange)



Df Bore for pin of (mm)	Code
12	552 / 90540

MATERIALS: Roller made out of polyamide black colour.

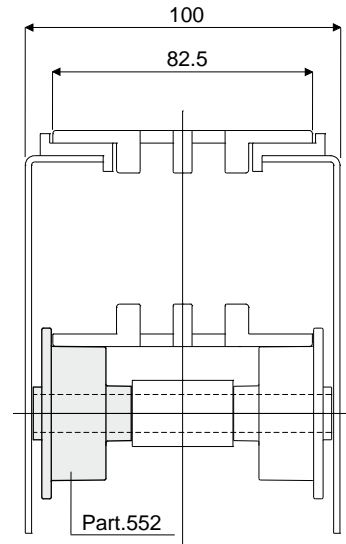
FEATURES: To be assembled in the chain return.

BOX QUANTITY: 96 pieces.

ON REQUEST:

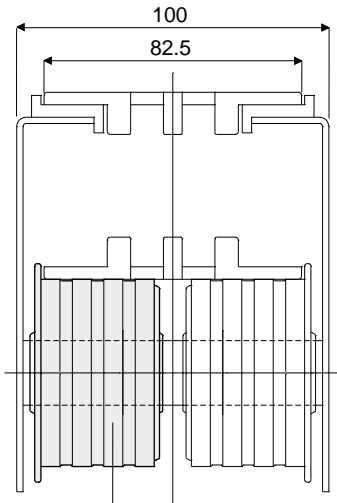
- Rollers: In different colours.
- Box quantity: According to your request.

Example of application



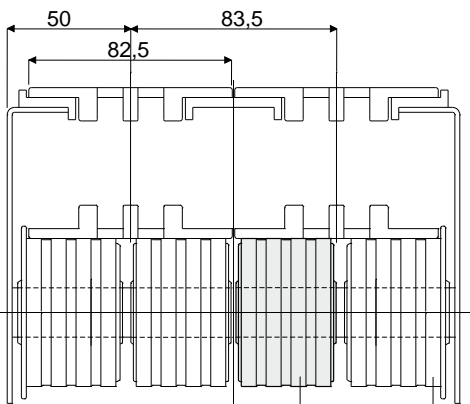
Return rollers

Example of application



Part.249

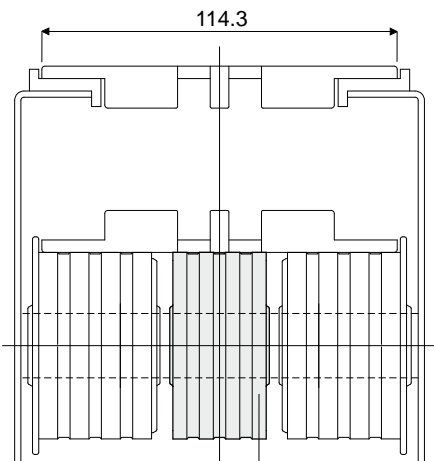
Example of application



Part.245

Part.249

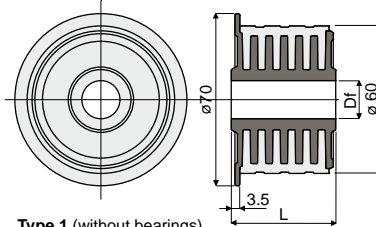
Example of application



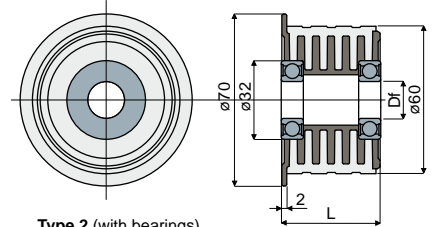
Part.399

Roller with rubber for chain return (with flange)

Part. **249**



Type 1 (without bearings)



Type 2 (with bearings)

Df Bore for pin of (mm)	L (mm)	Type 1 (without bearings) Code
15	22	249 / 85346
15	43	249 / 82021
16	22	249 / 85347
16	43	249 / 82022
18	22	249 / 85348
18	43	249 / 82023
20	22	249 / 85349
20	43	249 / 82024

MATERIALS: Internal part is made of polyamide black colour; external rubber is made of thermoplastic rubber grey colour 65 Shore; bearing made of chrome steel.

FEATURES: This roller is completely closed, total lack of internal cavities to obtain the maximum level of cleanability and noiselessness during working operations.

BOX QUANTITY: 48 pieces.

ON REQUEST:

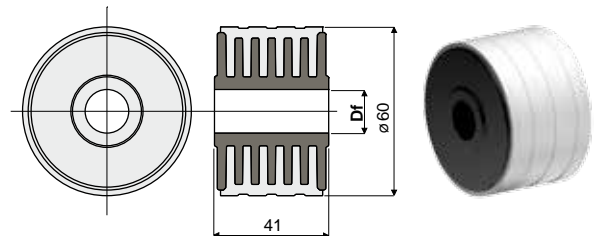
- Rollers: In different colours.
- Box quantity: According to your request.

Df Bore for pin of (mm)	L (mm)	Type 2 (with bearings) Code	Bearing type
15	40.5	249 / 83642	6002-ZZ

Roller with rubber for chain return (without flange)

Part. **245**

Df Bore for pin of (mm)	Code
12	245 / 84180
15	245 / 82017
16	245 / 82018
18	245 / 82019
20	245 / 82020



MATERIALS: Internal part is made of polyamide black colour; external rubber is made of thermoplastic rubber grey colour 65 Shore.

FEATURES: This roller is completely closed, total lack of internal cavities to obtain the maximum level of cleanability and noiselessness during working operations.

BOX QUANTITY: 48 pieces.

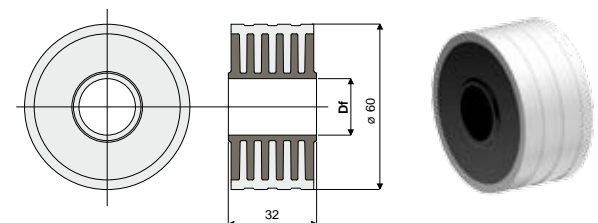
ON REQUEST:

- Rollers: In different colours.
- Box quantity: According to your request.

Roller with rubber for chain return (without flange)

Part. **399**

Df Bore for pin of (mm)	Code
12	399 / 84304
15	399 / 84305
16	399 / 84306
18	399 / 84307
20	399 / 84308



MATERIALS: Internal part is made of polyamide black colour; external rubber is made of thermoplastic rubber grey colour 65 Shore.

FEATURES: This roller is completely closed, total lack of internal cavities to obtain the maximum level of cleanability and noiselessness during working operations.

BOX QUANTITY: 48 pieces.

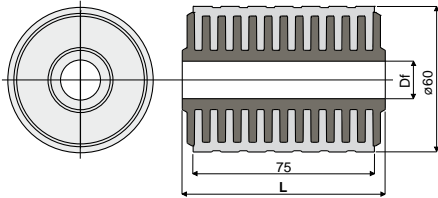
ON REQUEST:

- Rollers: In different colours.
- Box quantity: According to your request.

Return rollers

Part. 293

Roller with rubber for chain return (without flange)



Df Bore for pin of (mm)	L = 82 mm	L = 84 mm
	Code	Code
12	293 / 82789	293 / 82833
15	293 / 82580	293 / 82581
16	293 / 82582	293 / 82583
18	293 / 82584	293 / 82585
20	293 / 82586	293 / 82587
25	293 / 87465	293 / 87466
30	293 / 87467	293 / 87468

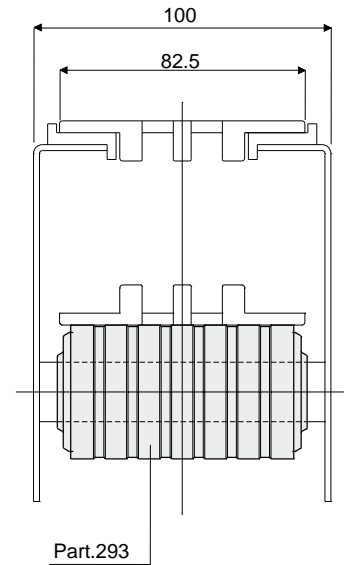
MATERIALS: Internal part is made of polyamide black colour; external rubber is made of thermoplastic rubber grey colour 65 Shore.
FEATURES: This roller is completely closed, total lack of internal cavities to obtain the maximum level of cleanability and noiselessness during working operations.

BOX QUANTITY: 48 pieces.

ON REQUEST:

- Rollers: In different colours.
- Box quantity: According to your request.

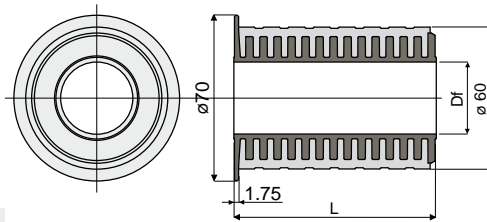
Example of application



Part.293

Part. 525

Roller with rubber for chain return (with flange)



Df Bore for pin of (mm)	L (mm)	Code
30	85,5	525 / 87379

MATERIALS: Internal part is made of polyamide black colour; external rubber is made of thermoplastic rubber grey colour 65 Shore.

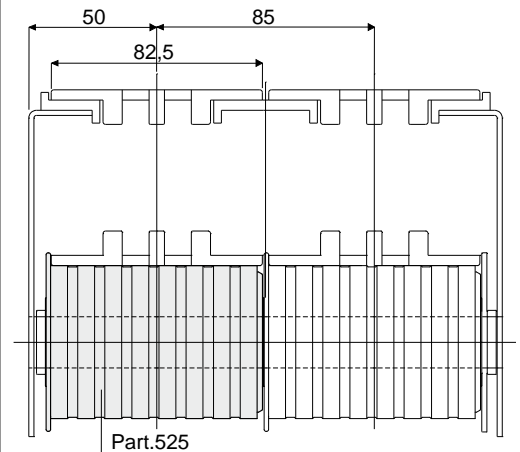
FEATURES: This roller is completely closed, total lack of internal cavities to obtain the maximum level of cleanability and noiselessness during working operations.

BOX QUANTITY: 48 pieces.

ON REQUEST:

- Rollers: In different colours.
- Box quantity: According to your request.

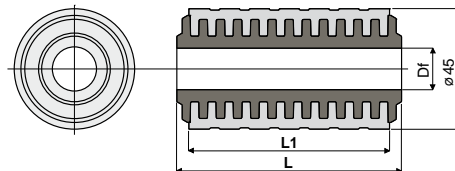
Example of application



Part.525

Part. 276

Roller with rubber for chain return (without flange)



Df Bore for pin of (mm)	L = 41 mm L1 = 36 mm	L = 82 mm L1 = 75 mm	L = 84 mm L1 = 75 mm
	Code	Code	Code
12	276 / 85466	276 / 82853	276 / 82855
15	276 / 85462	276 / 82060	276 / 82061
16	276 / 85463	276 / 82062	276 / 82063
18	276 / 85464	276 / 82064	276 / 82065
20	276 / 85465	276 / 82066	276 / 82067

MATERIALS: Internal part is made of polyamide black colour; external rubber is made of thermoplastic rubber grey colour 65 Shore.

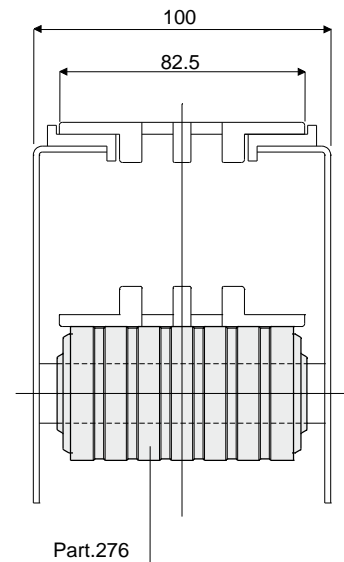
FEATURES: This roller is completely closed, total lack of internal cavities to obtain the maximum level of cleanability and noiselessness during working operations.

BOX QUANTITY: 48 pieces.

ON REQUEST:

- Rollers: In different colours.
- Box quantity: According to your request.

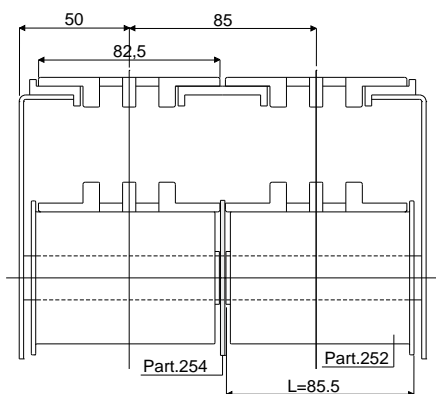
Example of application



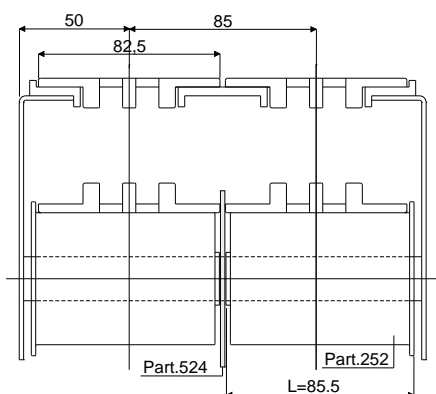
Part.276

Return rollers

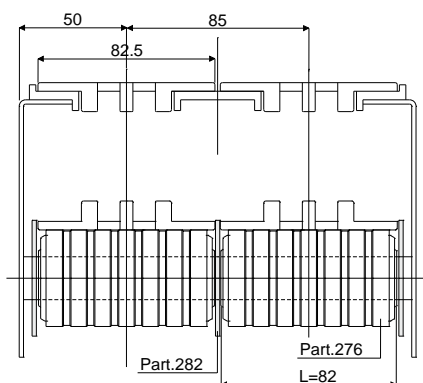
Example of application



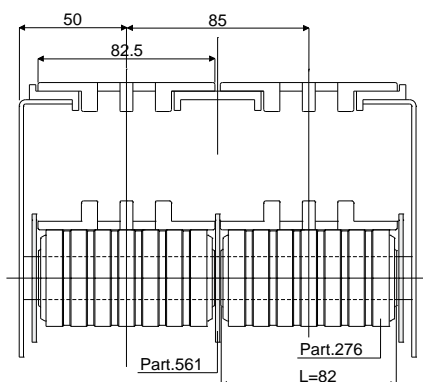
Example of application



Example of application



Example of application

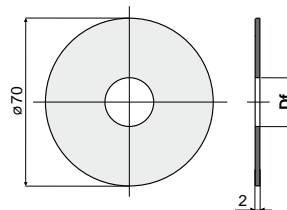


Flange for chain guide

(for rollers Part. 245, 249, 250, 251, 252, 253, 293, 399, 525)

Part. 254

Df	Bore for pin of (mm)	Code
12	12	254 / 82630
14	14	254 / 82264
15	15	254 / 82251
16	16	254 / 82252
18	18	254 / 82253
20	20	254 / 82254



MATERIALS: Flange is made of polypropylene black colour.

FEATURES: To be assembled to rollers for chain return Part.245, 249, 250, 251, 252, 253, 293, 399, 525.

BOX QUANTITY: 96 pieces.

ON REQUEST:

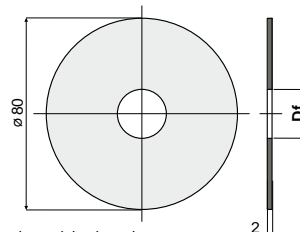
- Flanges: In different colours.
- Box quantity: According to your request.

Flange for chain guide

(for rollers Part. 245, 249, 250, 251, 252, 253, 293, 399, 525)

Part. 524

Df	Bore for pin of (mm)	Code
12	12	524 / 87385
16	16	524 / 87388
20	20	524 / 87390



MATERIALS: Flange is made of polypropylene black colour.

FEATURES: To be assembled to rollers for chain return Part.245, 249, 250, 251, 252, 253, 293, 399, 525.

BOX QUANTITY: 96 pieces.

ON REQUEST:

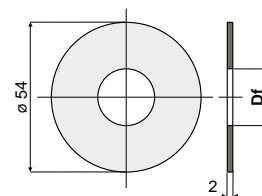
- Flanges: In different colours.
- Box quantity: According to your request.

Flange for chain guide

(for rollers Part. 270, 271, 276)

Part. 282

Df	Bore for pin of (mm)	Code
12	12	282 / 90829
15	15	282 / 82154
16	16	282 / 82155
18	18	282 / 82156
20	20	282 / 82157



MATERIALS: Flange is made of polypropylene black colour.

FEATURES: To be assembled to rollers for chain return Part.270, 271, 276.

BOX QUANTITY: 96 pieces.

ON REQUEST:

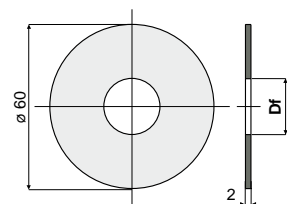
- Flanges: In different colours.
- Box quantity: According to your request.

Flange for chain guide

(for rollers Part. 270, 271, 276)

Part. 561

Df	Bore for pin of (mm)	Code
12	12	561 / 90830
15	15	561 / 90831
16	16	561 / 90832
18	18	561 / 90833
20	20	561 / 90834



MATERIALS: Flange is made of polypropylene black colour.

FEATURES: To be assembled to rollers for chain return Part.270, 271, 276.

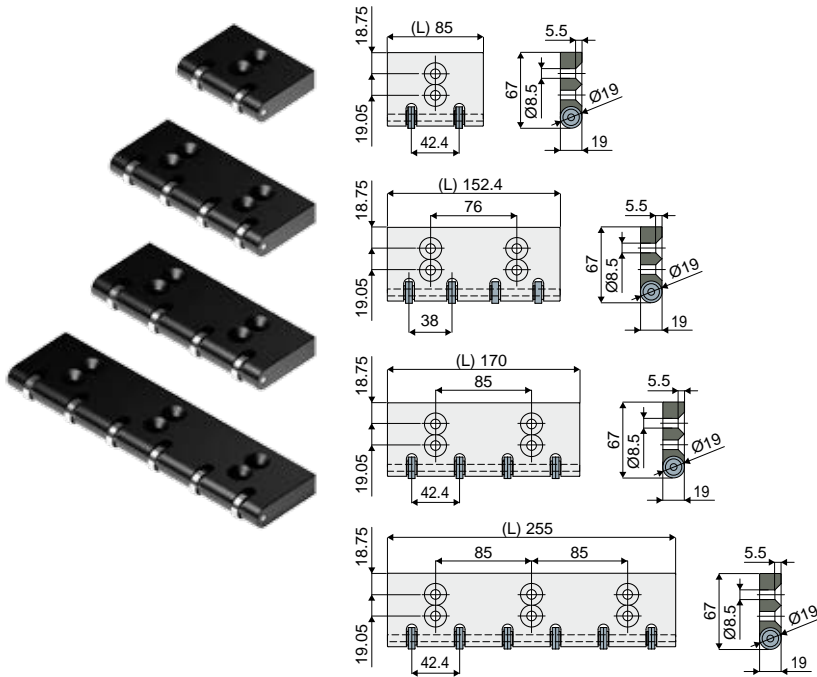
BOX QUANTITY: 96 pieces.

ON REQUEST:

- Flanges: In different colours.
- Box quantity: According to your request.

Nose over

Part. **553** "Nose - over" bar
(with bearings, for 12,7 and 15 mm. pitch chains)



Code	L (mm)
553 / 90583	85
553 / 90584	152,4
553 / 90585	170
553 / 90586	255

MATERIALS: Bars in high density polyethylene PE 1000 black colour; pin in stainless steel AISI 304; bearings in chrome steel.

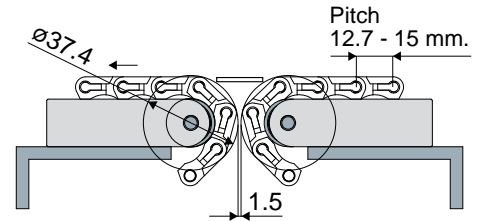
FEATURES: To be used for end-to-end transfers, with 12,7 and 15 mm pitch chains.

BOX QUANTITY: 8 pieces.

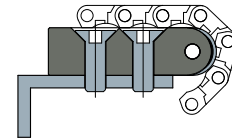
ON REQUEST:

- Bars: With bearings in stainless steel.
- Box quantity: According to your request.

Example of assembly

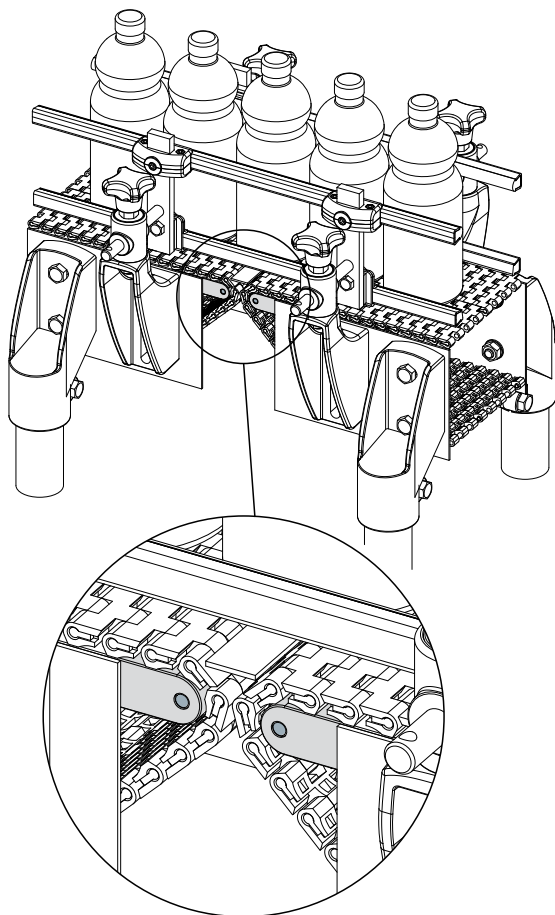


Fixing with 4 M8 countersunk head screws UNI 5933



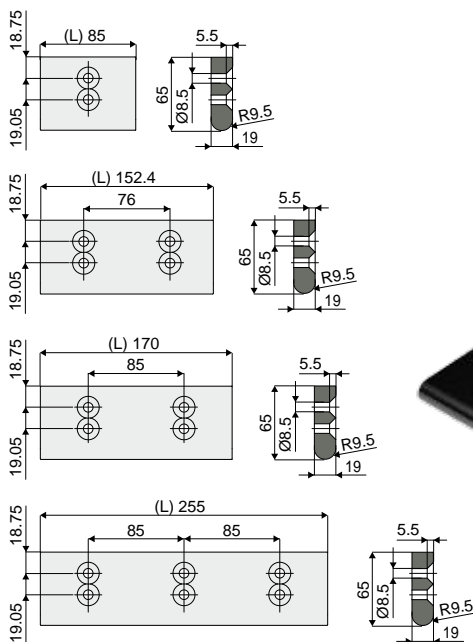
Nose over

Example of application



"Nose - over" bar (without bearings, for 12,7 and 15 mm. pitch chains)

Part. **553**



Code	L (mm)
553 / 90579	85
553 / 90580	152,4
553 / 90581	170
553 / 90582	255

MATERIALS: Bars in high density polyethylene PE 1000 black colour.

FEATURES: To be used for end-to-end transfers, with 12,7 and 15 mm pitch chains.

BOX QUANTITY: 8 pieces.

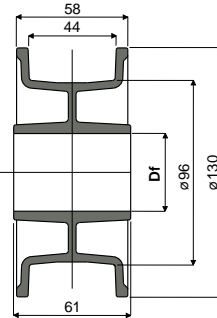
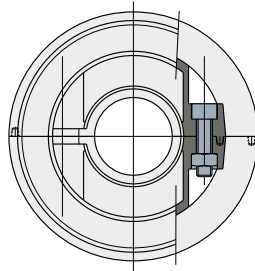
ON REQUEST:

- Box quantity: According to your request.

Idler wheels

Part. 311

Split idler wheel 21 teeth (for chains series 812-815-820-831)



Df Bore for pin of (mm)	Code
25	311 / 82841
30	311 / 82842
35	311 / 82843
40	311 / 82844

MATERIALS: Wheel made of polyamide black colour; bolts and nuts made of stainless steel AISI 304.

FEATURES: Supplied assembled. To be used for chain return in the series 812, 815, 820, 831.

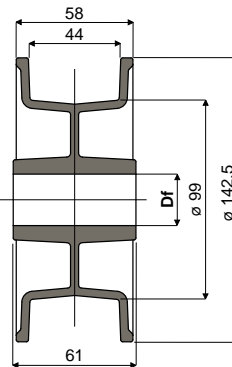
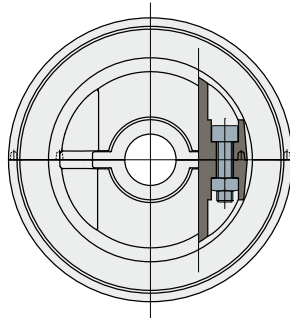
BOX QUANTITY: 8 pieces.

ON REQUEST:

- Wheels: In different colours.
- Box quantity: According to your request.

Part. 529

Split idler wheel 23 teeth (for chains series 812-815-820-831)



Df Bore for pin of (mm)	Code
25	529 / 87589
30	529 / 87590
35	529 / 87591
40	529 / 87592

MATERIALS: Wheel made of polyamide black colour; bolts and nuts made of stainless steel AISI 304.

FEATURES: Supplied assembled. To be used for chain return in the series 812, 815, 820, 831.

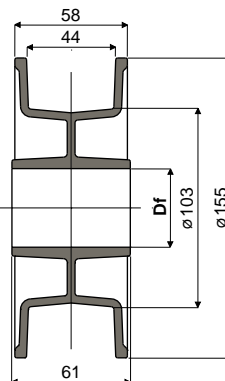
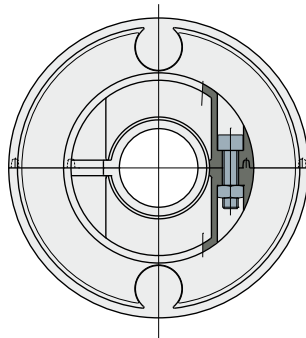
BOX QUANTITY: 8 pieces.

ON REQUEST:

- Wheels: In different colours.
- Box quantity: According to your request.

Part. 285

Split idler wheel 25 teeth (for chains series 812-815-820-831)



Df Bore for pin of (mm)	Code
25	285 / 82526
30	285 / 82528
35	285 / 82529
40	285 / 82530

MATERIALS: Wheel made of polyamide black colour; bolt and nuts made of stainless steel AISI 304.

FEATURES: Supplied assembled. To be used for chains Series 812, 815, 820, 831.

BOX QUANTITY: 8 pieces.

ON REQUEST:

- Wheels: In different colours.
- Box quantity: According to your request.

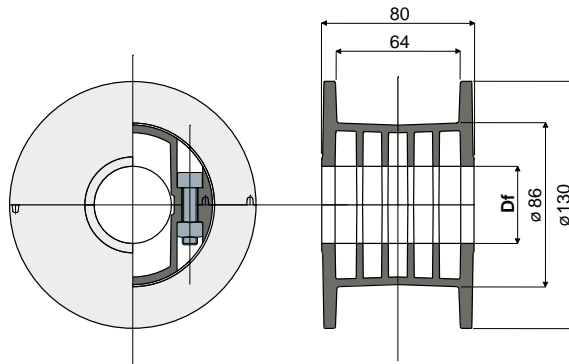
Idler wheels

Split idler wheel 10 teeth

(for chains series 879 TAB, 880 TAB and 881 TAB)

Part. **310**

Df Bore for pin of (mm)	Code
20	310 / 82827
25	310 / 82828
30	310 / 82829
35	310 / 82830
40	310 / 82831



MATERIALS: Wheel made of polyamide black colour; bolts and nuts made of stainless steel AISI 304.

FEATURES: Supplied assembled. To be used with chains Part.710, 711, 713.

BOX QUANTITY: 8 pieces.

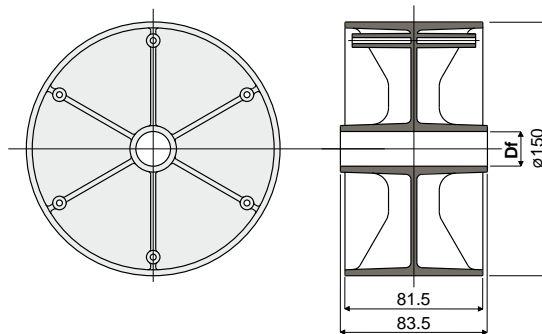
ON REQUEST:

- Wheels: In different colours.
- Box quantity: According to your request.

Idler wheel for chain return

Part. **268**

Df Bore for pin of (mm)	Code
20	268 / 82040



MATERIALS: Wheel in polyamide black colour.

FEATURES: To be assembled in the chain return near to the sprocket.

BOX QUANTITY: 8 pieces.

ON REQUEST:

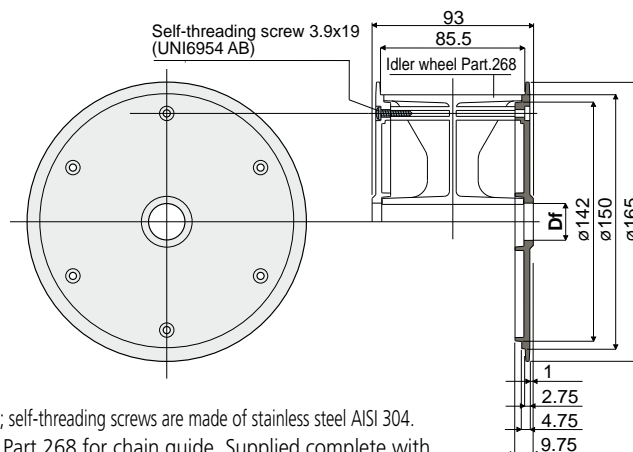
- Wheels: In different colours.
- Box quantity: According to your request.

Flange for chain guide

(for idler wheel Part. 268)

Part. **269**

Df Bore for pin of (mm)	Code
20	269 / 82041



MATERIALS: Flange is made of polyamide black colour; self-threading screws are made of stainless steel AISI 304.

FEATURES: To be assembled to our idler wheel Part.268 for chain guide. Supplied complete with blocking screws.

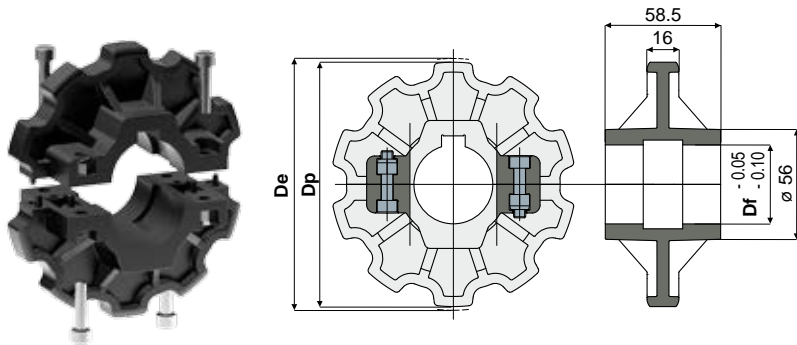
BOX QUANTITY: 16 pieces.

ON REQUEST:

- Flanges: In different colours.
- Box quantity: According to your request.

Idler wheels

Part. 454 Split sprocket 10 teeth (for chains series 879, 879 TAB, 880, 880 TAB)



Df (mm)	Dp (mm)	De (mm)	Code
25	123,3	122,5	454 / 85416
30	123,3	122,5	454 / 85417
35	123,3	122,5	454 / 85418
40	123,3	122,5	454 / 85419

MATERIALS: Wheel made of reinforced polyamide black colour; screws made of stainless steel AISI 304, nuts in nickel plated brass.

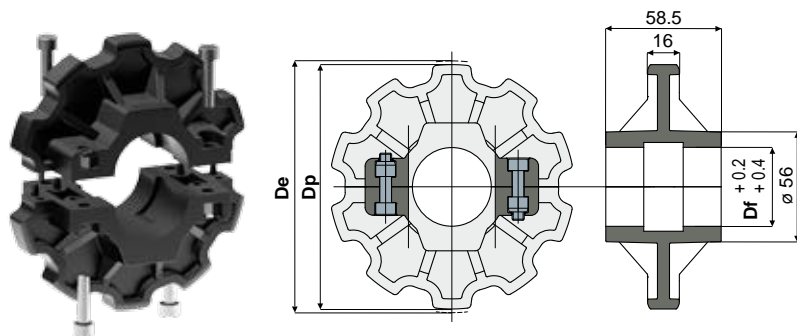
FEATURES: Dimensions of the keyway UNI 6604-69 - DIN 6885/1. To be used with chains Part.710, 711, 713.

BOX QUANTITY: 8 pieces.

ON REQUEST:

- Wheels: In different colours.
- Box quantity: According to your request.

Part. 455 Split idler wheel 10 teeth (for chains series 879, 879 TAB, 880, 880 TAB)



Df (mm)	Dp (mm)	De (mm)	Code
25	123,3	122,5	455 / 85420
30	123,3	122,5	455 / 85421
35	123,3	122,5	455 / 85422
40	123,3	122,5	455 / 85423

MATERIALS: Wheel made of polyamide black colour; screws made of stainless steel AISI 304, nuts in nickel plated brass.

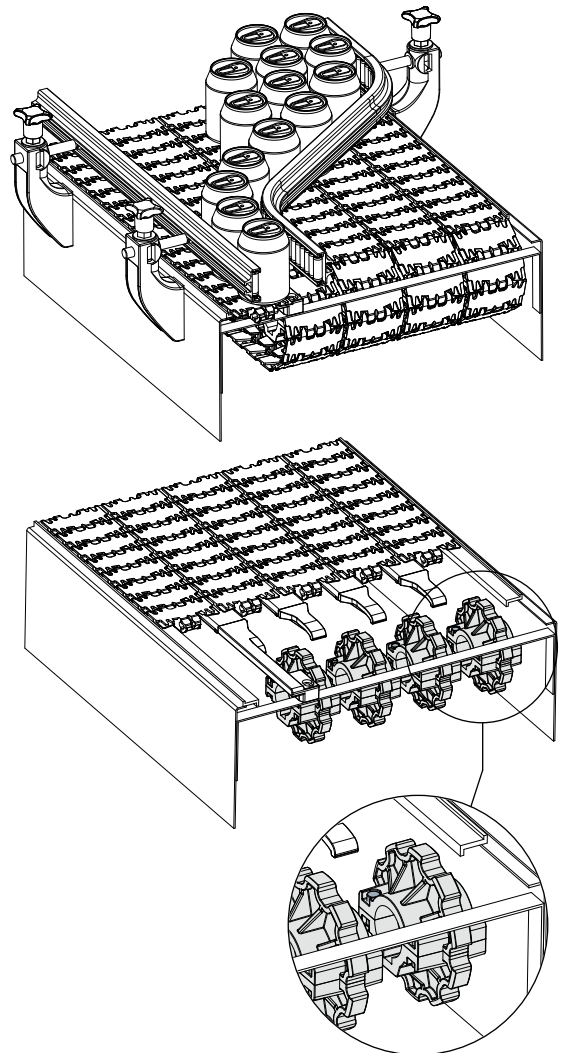
FEATURES: To be used with chains Part.710, 711, 713.

BOX QUANTITY: 8 pieces.

ON REQUEST:

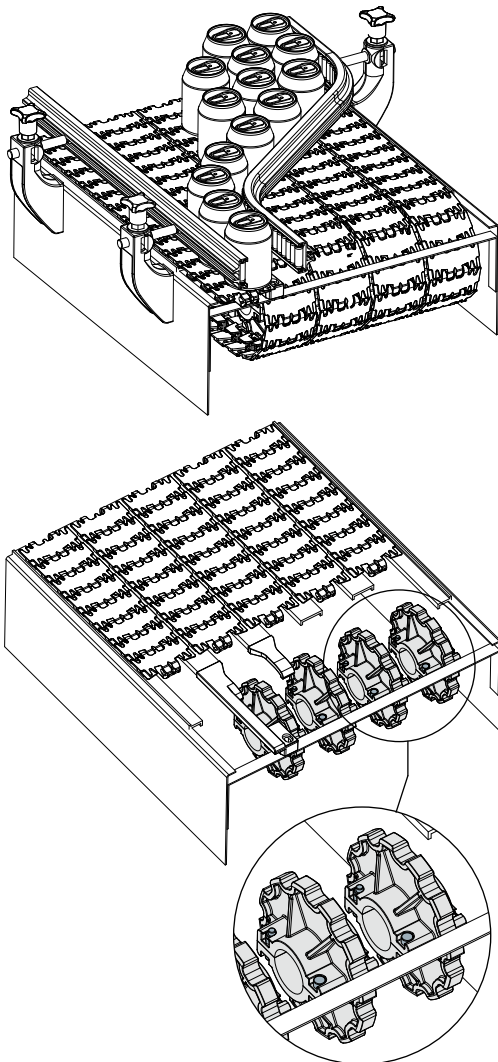
- Wheels: In different colours.
- Box quantity: According to your request.

Example of application



Idler wheels

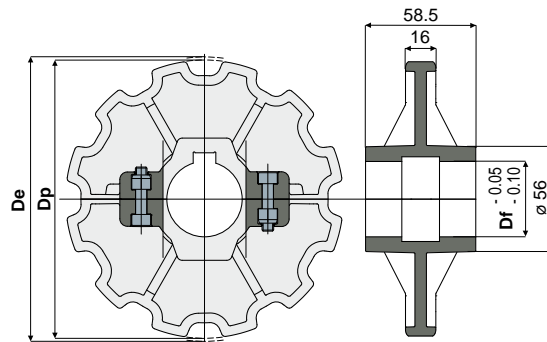
Example of application



Split sprocket 12 teeth

(for chains series 879, 879 TAB, 880, 880 TAB)

Part. **456**



Df (mm)	Dp (mm)	De (mm)	Code
25	147,2	147,4	456 / 85424
30	147,2	147,4	456 / 85425
35	147,2	147,4	456 / 85426
40	147,2	147,4	456 / 85427

MATERIALS: Wheel made of reinforced polyamide black colour; screws made of stainless steel AISI 304, nuts in nickel plated brass.

FEATURES: Dimensions of the keyway UNI 6604-69 - DIN 6885/1. To be used with chains Part.710, 711, 713.

BOX QUANTITY: 8 pieces.

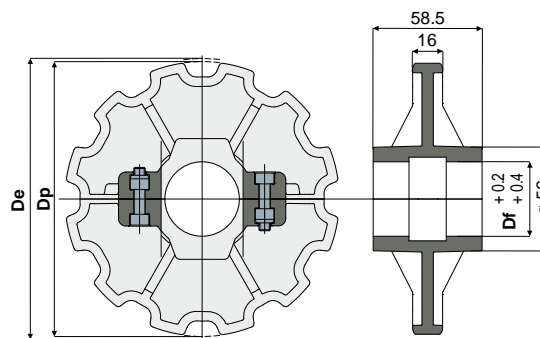
ON REQUEST:

- Wheels: In different colours.
- Box quantity: According to your request.

Split idler wheel 12 teeth

(for chains series 879, 879 TAB, 880, 880 TAB)

Part. **457**



Df (mm)	Dp (mm)	De (mm)	Code
25	147,2	147,4	457 / 85428
30	147,2	147,4	457 / 85429
35	147,2	147,4	457 / 85430
40	147,2	147,4	457 / 85431

MATERIALS: Wheel made of polyamide black colour; screws made of stainless steel AISI 304, nuts in nickel plated brass.

FEATURES: To be used with chains Part.710, 711, 713.

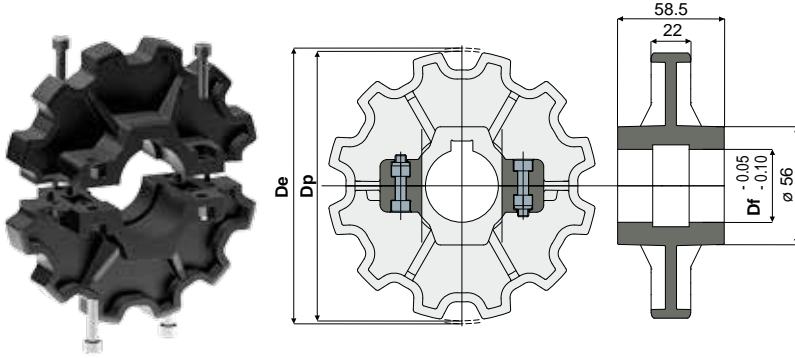
BOX QUANTITY: 8 pieces.

ON REQUEST:

- Wheels: In different colours.
- Box quantity: According to your request.

Idler wheels

Part. 473 Split sprocket 12 teeth (for chains series 882, 882 TAB)



Df (mm)	Dp (mm)	De (mm)	Code
25	147,2	149	473 / 85973
30	147,2	149	473 / 85974
35	147,2	149	473 / 85975
40	147,2	149	473 / 85976

MATERIALS: Wheel made of reinforced polyamide black colour; screws made of stainless steel AISI 304, nuts in nickel plated brass.

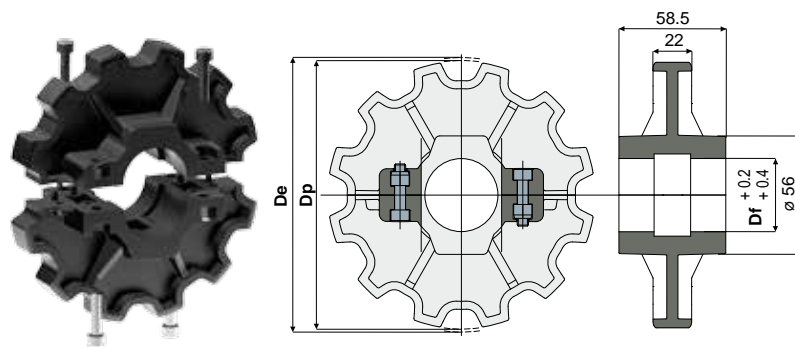
FEATURES: Dimensions of the keyway UNI 6604-69 - DIN 6885/1.

BOX QUANTITY: 8 pieces.

ON REQUEST:

- Wheels: In different colours.
- Box quantity: According to your request.

Part. 472 Split idler wheel 12 teeth (for chains series 882, 882 TAB)



Df (mm)	Dp (mm)	De (mm)	Code
25	147,2	149	472 / 85969
30	147,2	149	472 / 85970
35	147,2	149	472 / 85971
40	147,2	149	472 / 85972

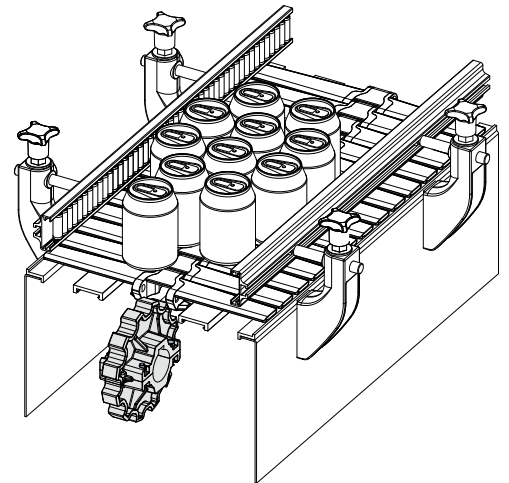
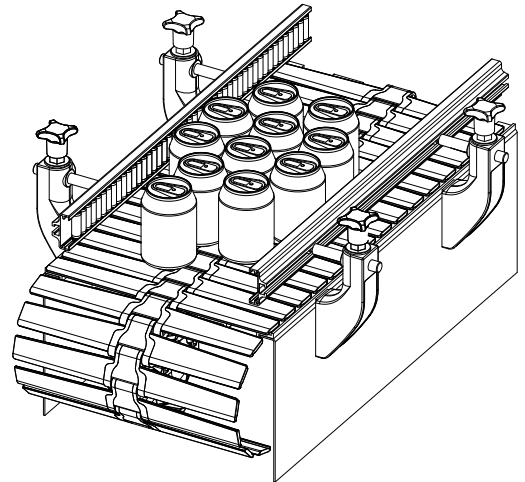
MATERIALS: Wheel made of polyamide black colour; screws made of stainless steel AISI 304, nuts in nickel plated brass.

BOX QUANTITY: 8 pieces.

ON REQUEST:

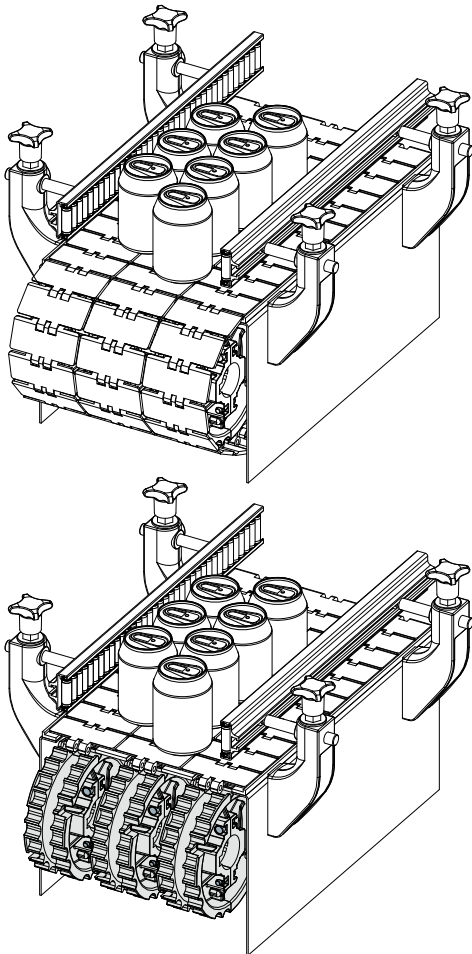
- Wheels: In different colours.
- Box quantity: According to your request.

Example of application



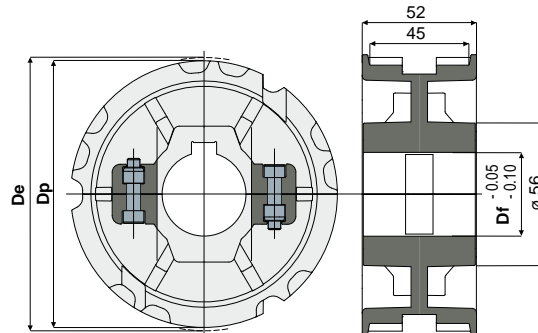
Idler wheels

Example of application



Split sprocket 21 teeth (for chains series 815, 820, 831)

Part. **543**



Df (mm)	Dp (mm)	De (mm)	Code
25	129,3	128	543 / 89135
30	129,3	128	543 / 89136
35	129,3	128	543 / 89137
40	129,3	128	543 / 89138

MATERIALS: Wheel made of reinforced polyamide black colour; screws made of stainless steel AISI 304, nuts in nickel plated brass.

FEATURES: Dimensions of the keyway UNI 6604-69 - DIN 6885/1.

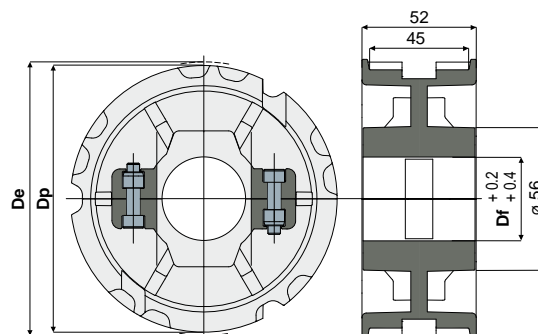
BOX QUANTITY: 8 pieces.

ON REQUEST:

- Wheels: In different colours.
- Box quantity: According to your request.

Split idler wheel 21 teeth (for chains series 815, 820, 831)

Part. **542**



Df (mm)	Dp (mm)	De (mm)	Code
25	129,3	128	542 / 89129
30	129,3	128	542 / 89131
35	129,3	128	542 / 89133
40	129,3	128	542 / 89134

MATERIALS: Wheel made of polyamide black colour; screws made of stainless steel AISI 304, nuts in nickel plated brass.

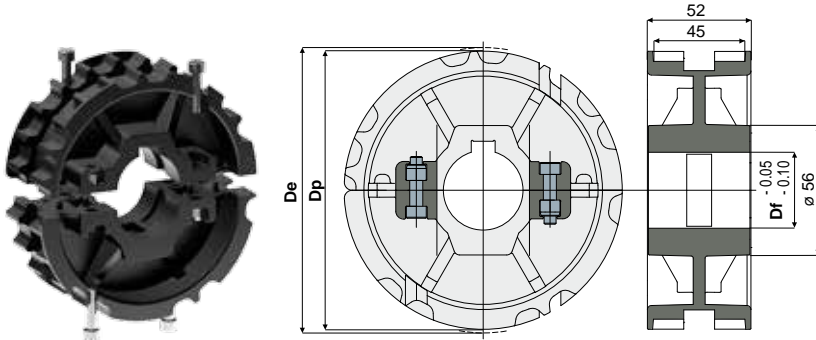
BOX QUANTITY: 8 pieces.

ON REQUEST:

- Wheels: In different colours.
- Box quantity: According to your request.

Idler wheels

Part. 541 Split sprocket 23 teeth (for chains series 815, 820, 831)



Df (mm)	Dp (mm)	De (mm)	Code
25	141,2	140	541 / 89111
30	141,2	140	541 / 89112
35	141,2	140	541 / 89113
40	141,2	140	541 / 89114

MATERIALS: Wheel made of reinforced polyamide black colour; screws made of stainless steel AISI 304, nuts in nickel plated brass.

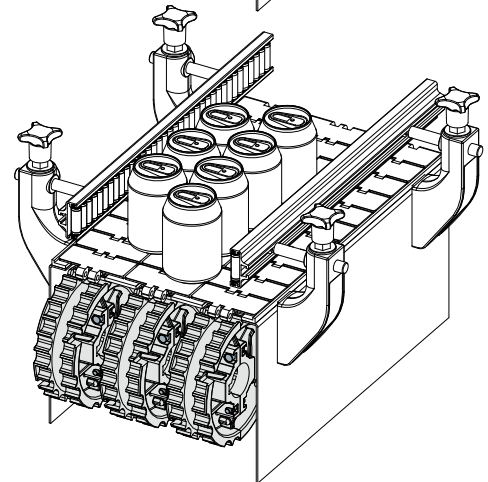
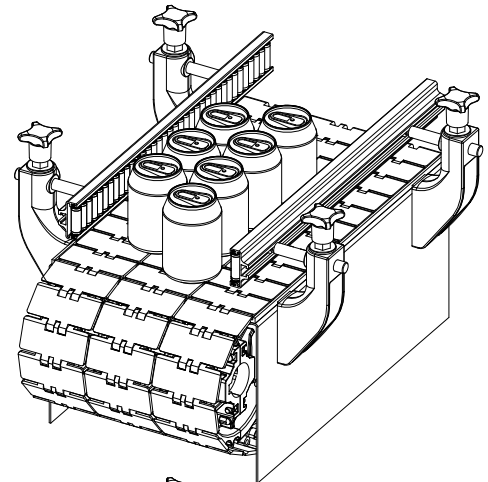
FEATURES: Dimensions of the keyway UNI 6604-69 - DIN 6885/1.

BOX QUANTITY: 8 pieces.

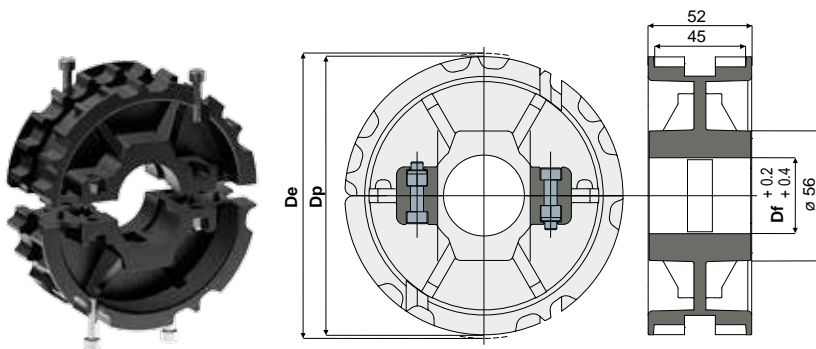
ON REQUEST:

- Wheels: In different colours.
- Box quantity: According to your request.

Example of application



Part. 540 Split idler wheel 23 teeth (for chains series 815, 820, 831)



Df (mm)	Dp (mm)	De (mm)	Code
25	141,2	140	540 / 89105
30	141,2	140	540 / 89107
35	141,2	140	540 / 89109
40	141,2	140	540 / 89110

MATERIALS: Wheel made of polyamide black colour; screws made of stainless steel AISI 304, nuts in nickel plated brass.

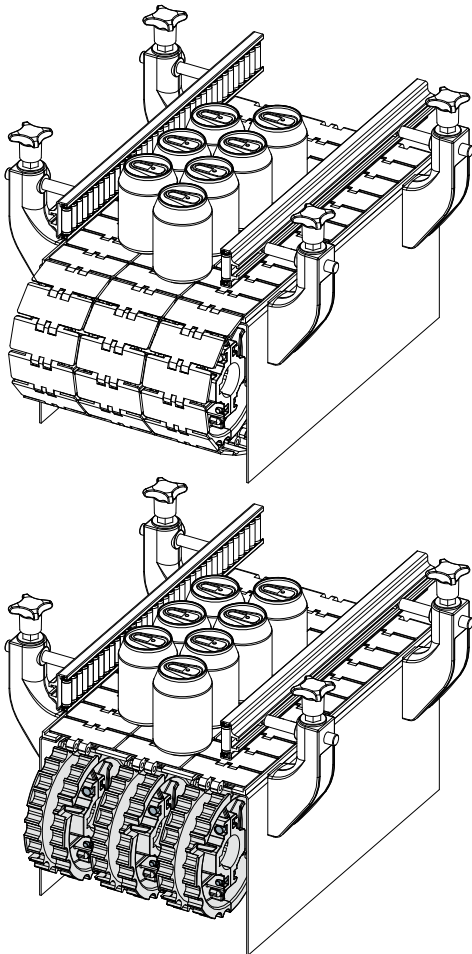
BOX QUANTITY: 8 pieces.

ON REQUEST:

- Wheels: In different colours.
- Box quantity: According to your request.

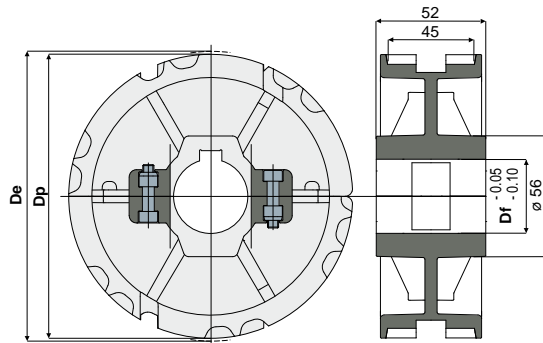
Idler wheels

Example of application



Split sprocket 25 teeth (for chains series 815, 820, 831)

Part. **523**



Df (mm)	Dp (mm)	De (mm)	Code
25	153,2	153	523 / 87357
30	153,2	153	523 / 87358
35	153,2	153	523 / 87359
40	153,2	153	523 / 87360

MATERIALS: Wheel made of reinforced polyamide black colour; screws made of stainless steel AISI 304, nuts in nickel plated brass.

FEATURES: Dimensions of the keyway UNI 6604-69 - DIN 6885/1.

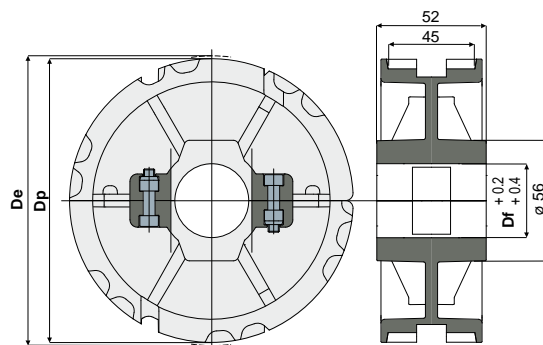
BOX QUANTITY: 8 pieces.

ON REQUEST:

- Wheels: In different colours.
- Box quantity: According to your request.

Split idler wheel 25 teeth (for chains series 815, 820, 831)

Part. **535**



Df (mm)	Dp (mm)	De (mm)	Code
25	153,2	153	535 / 88680
30	153,2	153	535 / 88681
35	153,2	153	535 / 88682
40	153,2	153	535 / 88683

MATERIALS: Wheel made of polyamide black colour; screws made of stainless steel AISI 304, nuts in nickel plated brass.

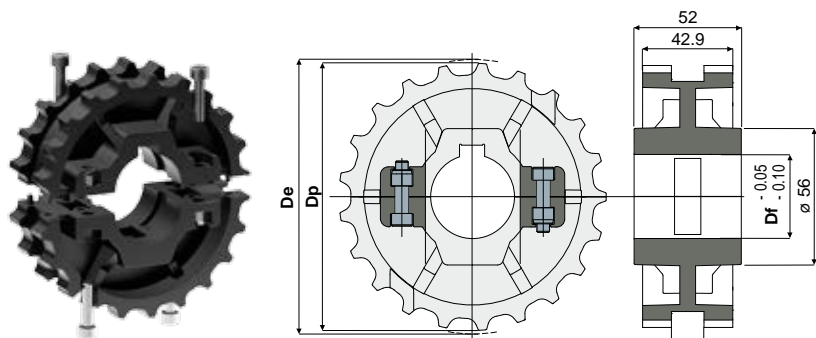
BOX QUANTITY: 8 pieces.

ON REQUEST:

- Wheels: In different colours.
- Box quantity: According to your request.

Idler wheels

Part. 564 Split sprocket 21 teeth (for chains series 815, 820, 831)



Df (mm)	Dp (mm)	De (mm)	Code
25	129,3	128	564 / 90863
30	129,3	128	564 / 90864
35	129,3	128	564 / 90865
40	129,3	128	564 / 90866

MATERIALS: Wheel made of reinforced polyamide black colour; screws made of stainless steel AISI 304, nuts in nickel plated brass.

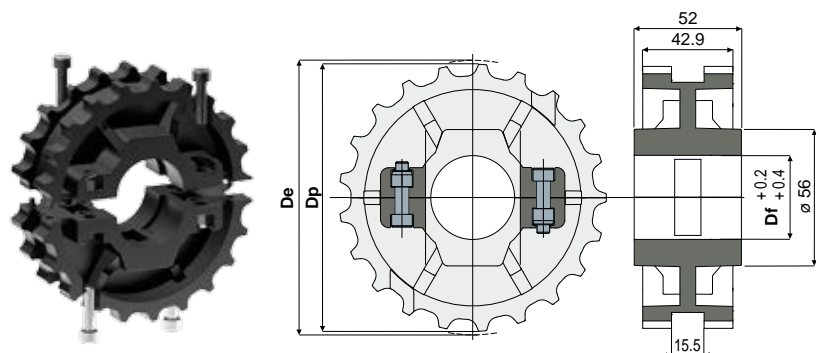
FEATURES: Dimensions of the keyway UNI 6604-69 - DIN 6885/1.

BOX QUANTITY: 8 pieces.

ON REQUEST:

- Wheels: In different colours.
- Box quantity: According to your request.

Part. 563 Split idler wheel 21 teeth (for chains series 815, 820, 831)



Df (mm)	Dp (mm)	De (mm)	Code
25	129,3	128	563 / 90859
30	129,3	128	563 / 90860
35	129,3	128	563 / 90861
40	129,3	128	563 / 90862

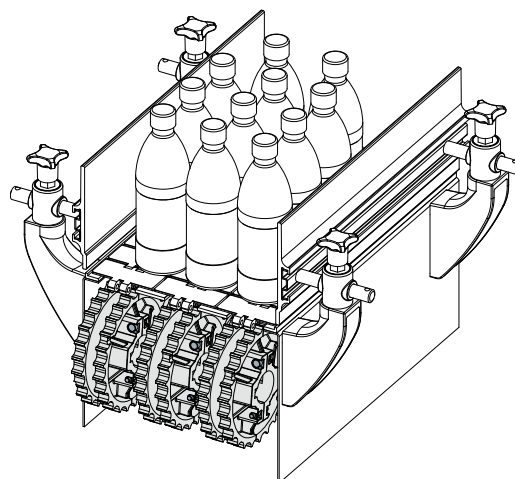
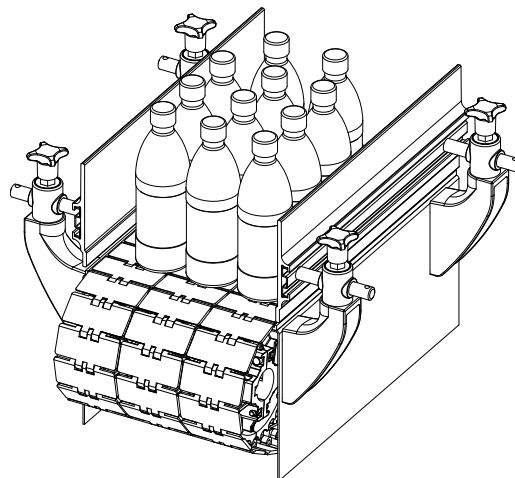
MATERIALS: Wheel made of polyamide black colour; screws made of stainless steel AISI 304, nuts in nickel plated brass.

BOX QUANTITY: 8 pieces.

ON REQUEST:

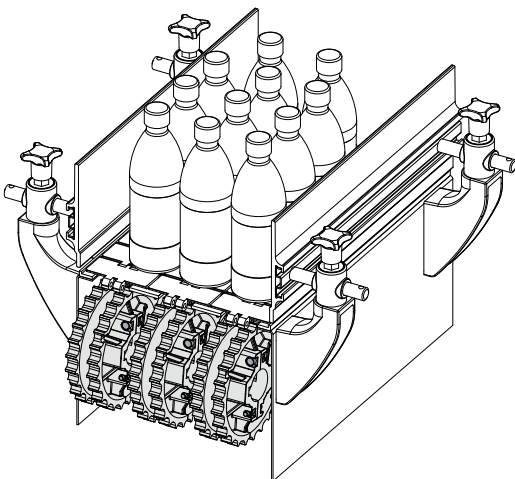
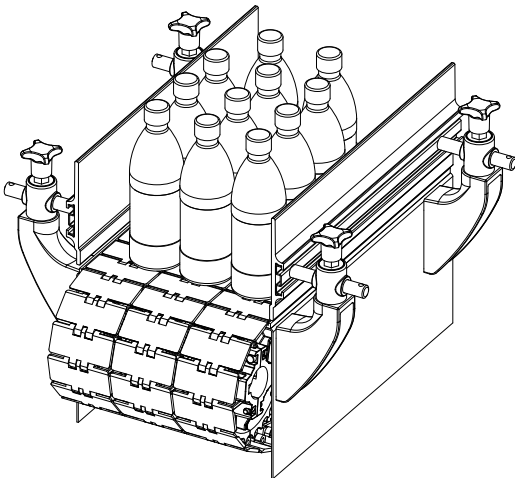
- Wheels: In different colours.
- Box quantity: According to your request.

Example of application



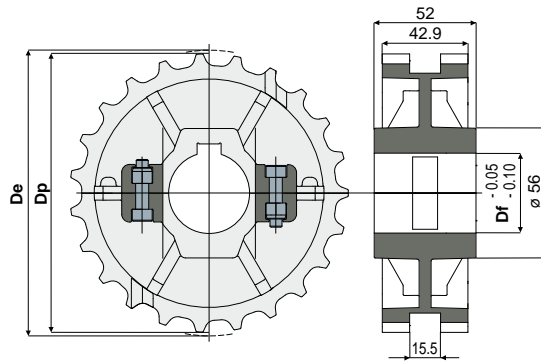
Idler wheels

Example of application



Split sprocket 23 teeth (for chains series 815, 820, 831)

Part. **566**



Df (mm)	Dp (mm)	De (mm)	Code
25	141,2	140	566 / 90871
30	141,2	140	566 / 90872
35	141,2	140	566 / 90873
40	141,2	140	566 / 90874

MATERIALS: Wheel made of reinforced polyamide black colour; screws made of stainless steel AISI 304, nuts in nickel plated brass.

FEATURES: Dimensions of the keyway UNI 6604-69 - DIN 6885/1.

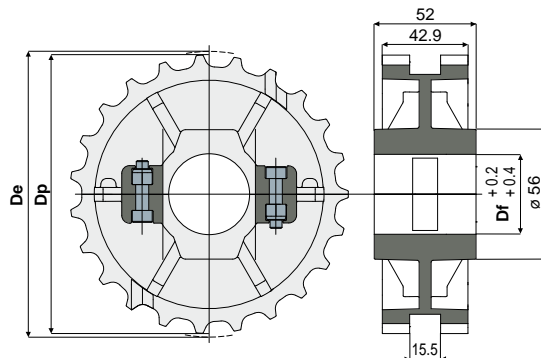
BOX QUANTITY: 8 pieces.

ON REQUEST:

- Wheels: In different colours.
- Box quantity: According to your request.

Split idler wheel 23 teeth (for chains series 815, 820, 831)

Part. **565**



Df (mm)	Dp (mm)	De (mm)	Code
25	141,2	140	565 / 90867
30	141,2	140	565 / 90868
35	141,2	140	565 / 90869
40	141,2	140	565 / 90870

MATERIALS: Wheel made of polyamide black colour; screws made of stainless steel AISI 304, nuts in nickel plated brass.

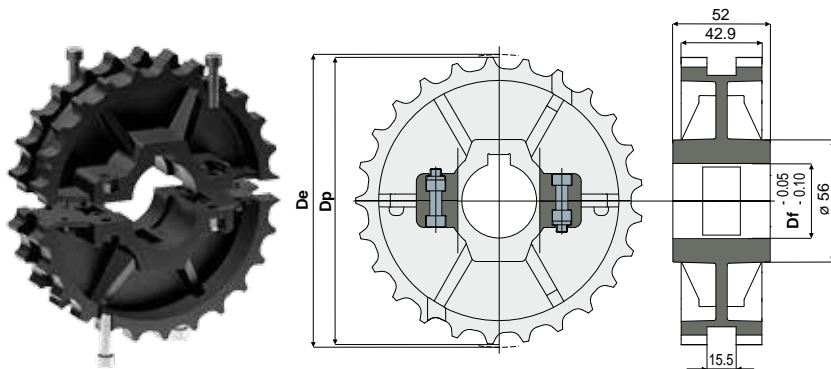
BOX QUANTITY: 8 pieces.

ON REQUEST:

- Wheels: In different colours.
- Box quantity: According to your request.

Idler wheels

Part. 568 Split sprocket 25 teeth (for chains series 815, 820, 831)



Df (mm)	Dp (mm)	De (mm)	Code
25	153,2	153	568 / 90879
30	153,2	153	568 / 90880
35	153,2	153	568 / 90881
40	153,2	153	568 / 90882

MATERIALS: Wheel made of reinforced polyamide black colour; screws made of stainless steel AISI 304, nuts in nickel plated brass.

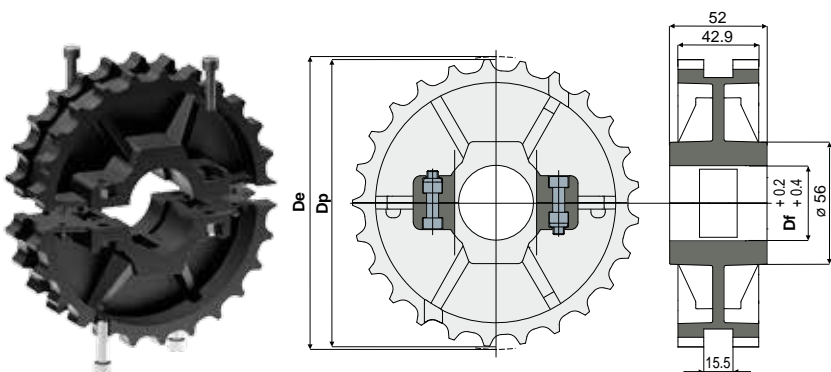
FEATURES: Dimensions of the keyway UNI 6604-69 - DIN 6885/1.

BOX QUANTITY: 8 pieces.

ON REQUEST:

- Wheels: In different colours.
- Box quantity: According to your request.

Part. 567 Split idler wheel 25 teeth (for chains series 815, 820, 831)



Df (mm)	Dp (mm)	De (mm)	Code
25	153,2	153	567 / 90875
30	153,2	153	567 / 90876
35	153,2	153	567 / 90877
40	153,2	153	567 / 90878

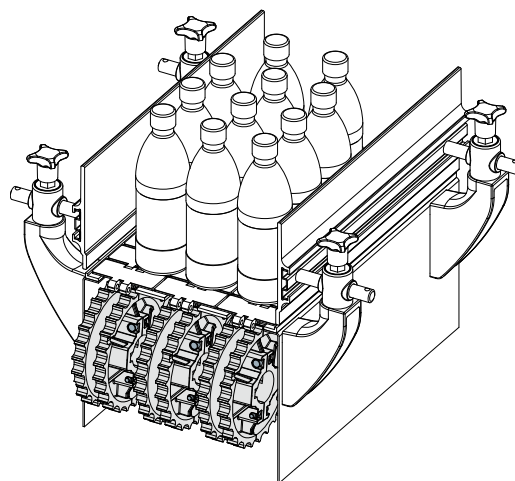
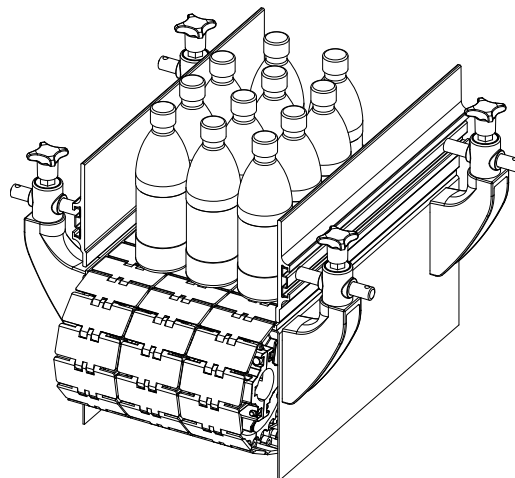
MATERIALS: Wheel made of polyamide black colour; screws made of stainless steel AISI 304, nuts in nickel plated brass.

BOX QUANTITY: 8 pieces.

ON REQUEST:

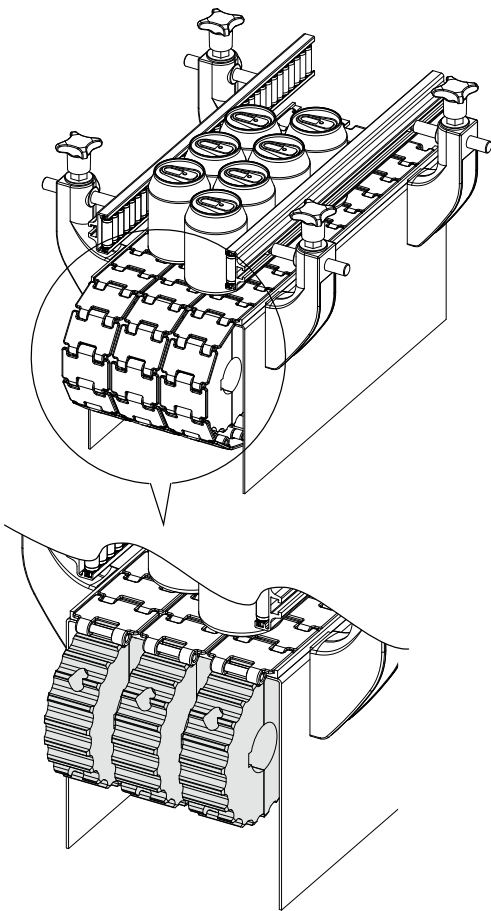
- Wheels: In different colours.
- Box quantity: According to your request.

Example of application



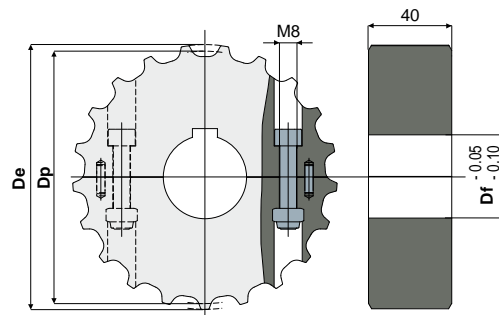
Idler wheels

Example of application



Split sprocket 21 teeth (machined, for chains series 815)

Part. **571**



Df (mm)	Dp (mm)	De (mm)	Code
25	129,3	130	571 / 90913
30	129,3	130	571 / 90914
35	129,3	130	571 / 90915
40	129,3	130	571 / 90916

MATERIALS: Wheel made of polyamide blue Ral 5005 colour; screws made of stainless steel AISI 304, nuts in nickel plated brass.

FEATURES: Dimensions of the keyway UNI 6604-69 - DIN 6885/1.

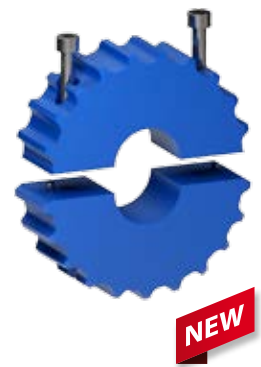
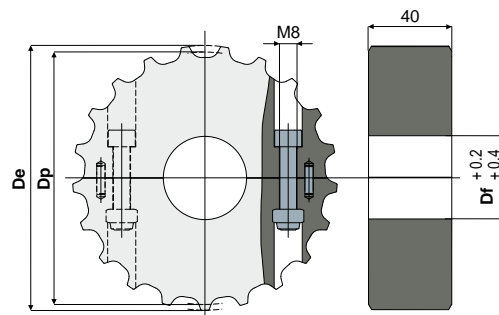
BOX QUANTITY: 8 pieces.

ON REQUEST:

- **Wheels:** With 18 mm. hole diameter to be machined.
- **Wheels:** In polyamide blue Ral 5005 FDA APPROVED.
- **Box quantity:** According to your request.

Split idler wheel 21 teeth (machined, for chains series 815)

Part. **570**



Df (mm)	Dp (mm)	De (mm)	Code
25	129,3	130	570 / 90909
30	129,3	130	570 / 90910
35	129,3	130	570 / 90911
40	129,3	130	570 / 90912

MATERIALS: Wheel made of polyamide blue Ral 5005 colour; screws made of stainless steel AISI 304, nuts in nickel plated brass.

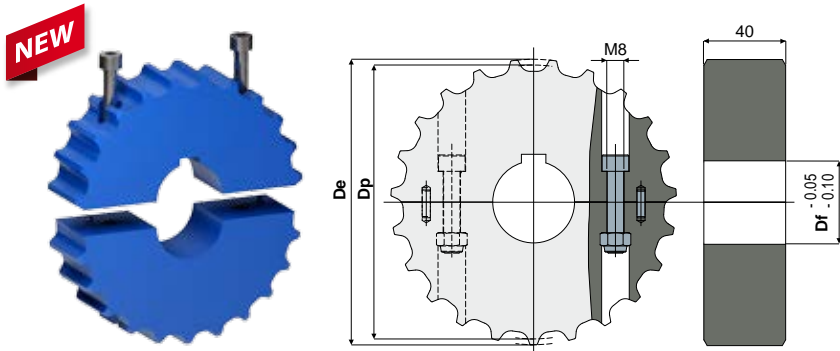
BOX QUANTITY: 8 pieces.

ON REQUEST:

- **Wheels:** With 18 mm. hole diameter to be machined.
- **Wheels:** In polyamide blue Ral 5005 FDA APPROVED.
- **Box quantity:** According to your request.

Idler wheels

Part. 573 Split sprocket 23 teeth (machined, for chains series 815)



Df (mm)	Dp (mm)	De (mm)	Code
25	141,2	141,9	573 / 90921
30	141,2	141,9	573 / 90922
35	141,2	141,9	573 / 90923
40	141,2	141,9	573 / 90924

MATERIALS: Wheel made of polyamide blue Ral 5005 colour; screws made of stainless steel AISI 304, nuts in nickel plated brass.

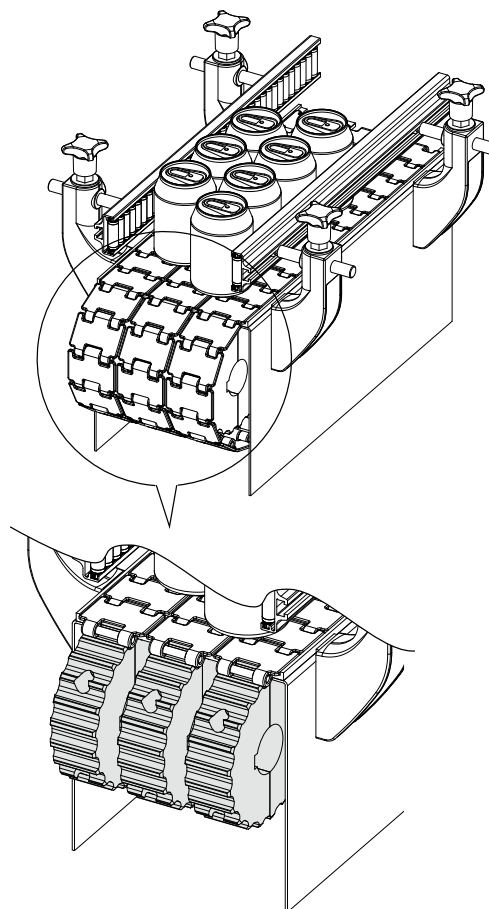
FEATURES: Dimensions of the keyway UNI 6604-69 - DIN 6885/1.

BOX QUANTITY: 8 pieces.

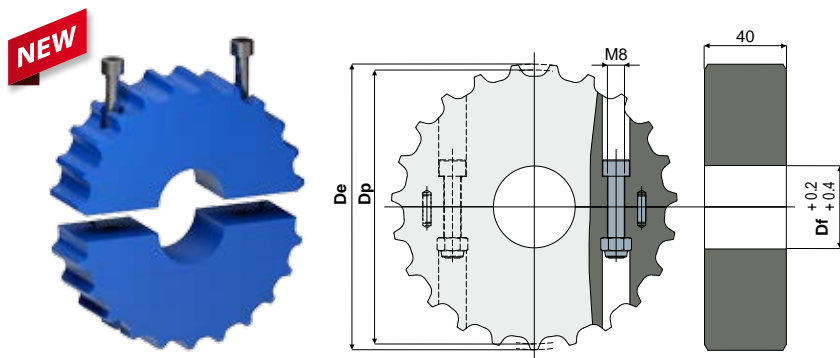
ON REQUEST:

- Wheels: With 18 mm. hole diameter to be machined.
- Wheels: In polyamide blue Ral 5005 FDA APPROVED.
- Box quantity: According to your request.

Example of application



Part. 572 Split idler wheel 23 teeth (machined, for chains series 815)



Df (mm)	Dp (mm)	De (mm)	Code
25	141,2	141,9	572 / 90917
30	141,2	141,9	572 / 90918
35	141,2	141,9	572 / 90919
40	141,2	141,9	572 / 90920

MATERIALS: Wheel made of polyamide blue Ral 5005 colour; screws made of stainless steel AISI 304, nuts in nickel plated brass.

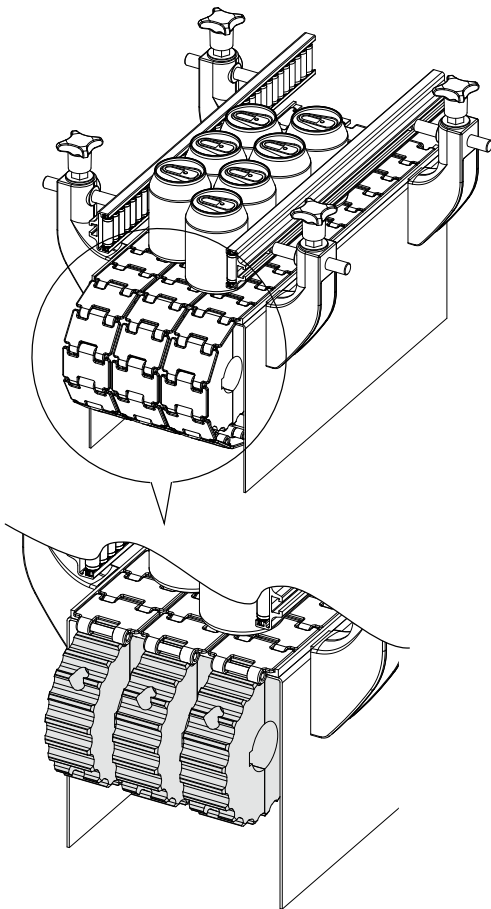
BOX QUANTITY: 8 pieces.

ON REQUEST:

- Wheels: With 18 mm. hole diameter to be machined.
- Wheels: In polyamide blue Ral 5005 FDA APPROVED.
- Box quantity: According to your request.

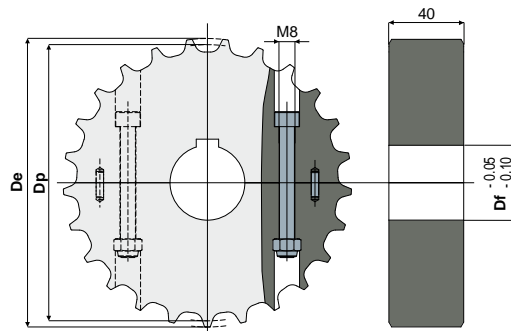
Idler wheels

Example of application



Split sprocket 25 teeth (machined, for chains series 815)

Part. **575**



Df (mm)	Dp (mm)	De (mm)	Code
25	153,2	153,9	575 / 90929
30	153,2	153,9	575 / 90930
35	153,2	153,9	575 / 90931
40	153,2	153,9	575 / 90932

MATERIALS: Wheel made of polyamide blue Ral 5005 colour; screws made of stainless steel AISI 304, nuts in nickel plated brass.

FEATURES: Dimensions of the keyway UNI 6604-69 - DIN 6885/1.

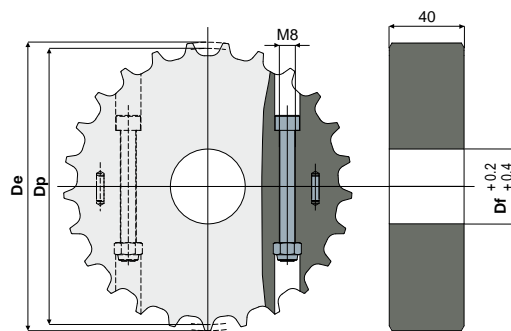
BOX QUANTITY: 8 pieces.

ON REQUEST:

- **Wheels:** With 18 mm. hole diameter to be machined.
- **Wheels:** In polyamide blue Ral 5005 FDA APPROVED.
- **Box quantity:** According to your request.

Split idler wheel 25 teeth (machined, for chains series 815)

Part. **574**



Df (mm)	Dp (mm)	De (mm)	Code
25	153,2	153,9	574 / 90925
30	153,2	153,9	574 / 90926
35	153,2	153,9	574 / 90927
40	153,2	153,9	574 / 90928

MATERIALS: Wheel made of polyamide blue Ral 5005 colour; screws made of stainless steel AISI 304, nuts in nickel plated brass.

BOX QUANTITY: 8 pieces.

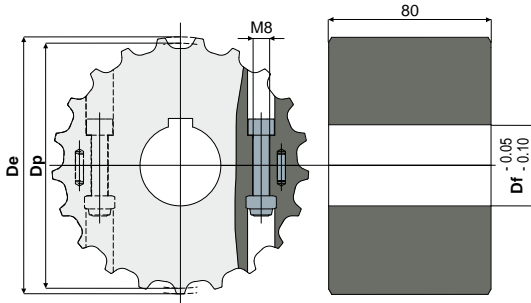
ON REQUEST:

- **Wheels:** With 18 mm. hole diameter to be machined.
- **Wheels:** In polyamide blue Ral 5005 FDA APPROVED.
- **Box quantity:** According to your request.

Idler wheels

Part. 577 Split sprocket 21 teeth (machined, for chains series 821)

NEW



Df (mm)	Dp (mm)	De (mm)	Code
25	129,3	130	577 / 90937
30	129,3	130	577 / 90938
35	129,3	130	577 / 90939
40	129,3	130	577 / 90940

MATERIALS: Wheel made of polyamide blue Ral 5005 colour; screws made of stainless steel AISI 304, nuts in nickel plated brass.

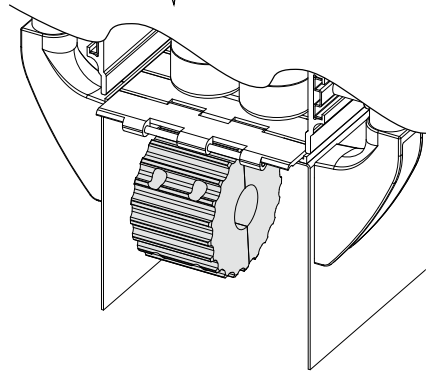
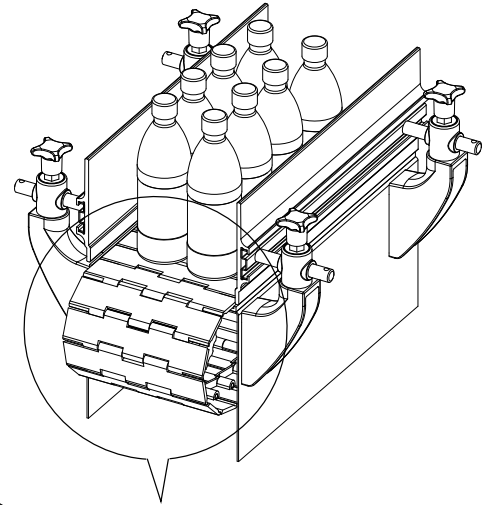
FEATURES: Dimensions of the keyway UNI 6604-69 - DIN 6885/1.

BOX QUANTITY: 8 pieces.

ON REQUEST:

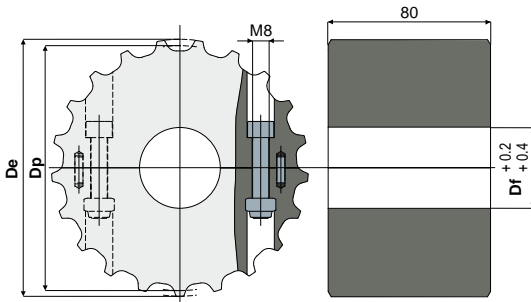
- Wheels: With 18 mm. hole diameter to be machined.
- Wheels: In polyamide blue Ral 5005 FDA APPROVED.
- Box quantity: According to your request.

Example of application



Part. 576 Split idler wheel 21 teeth (machined, for chains series 821)

NEW



Df (mm)	Dp (mm)	De (mm)	Code
25	129,3	130	576 / 90933
30	129,3	130	576 / 90934
35	129,3	130	576 / 90935
40	129,3	130	576 / 90936

MATERIALS: Wheel made of polyamide blue Ral 5005 colour; screws made of stainless steel AISI 304, nuts in nickel plated brass.

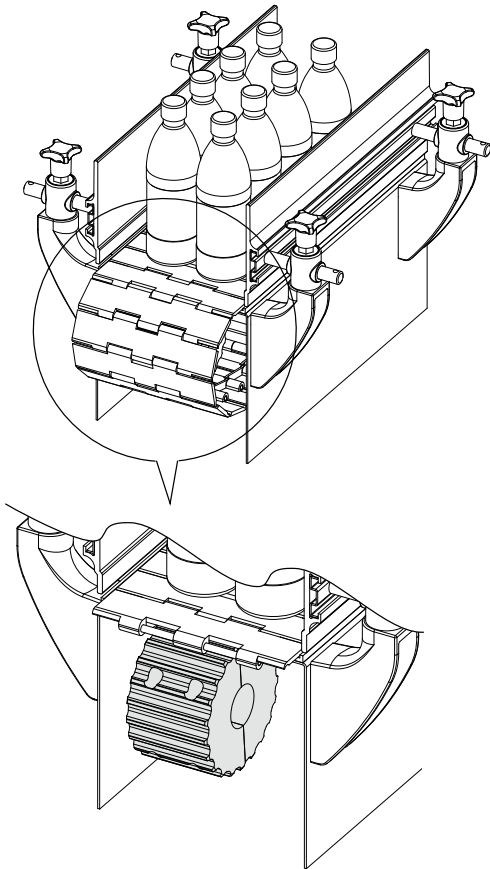
BOX QUANTITY: 8 pieces.

ON REQUEST:

- Wheels: With 18 mm. hole diameter to be machined.
- Wheels: In polyamide blue Ral 5005 FDA APPROVED.
- Box quantity: According to your request.

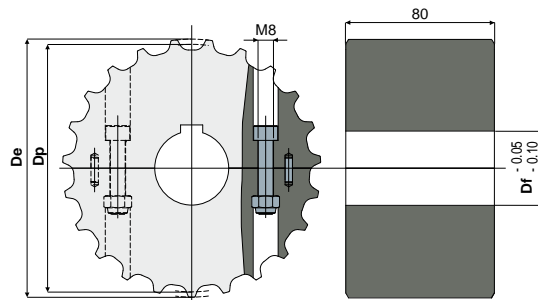
Idler wheels

Example of application



Split sprocket 23 teeth (machined, for chains series 821)

Part. **579**



Df (mm)	Dp (mm)	De (mm)	Code
25	141,2	141,9	579 / 90945
30	141,2	141,9	579 / 90946
35	141,2	141,9	579 / 90947
40	141,2	141,9	579 / 90948

MATERIALS: Wheel made of polyamide blue Ral 5005 colour; screws made of stainless steel AISI 304, nuts in nickel plated brass.

FEATURES: Dimensions of the keyway UNI 6604-69 - DIN 6885/1.

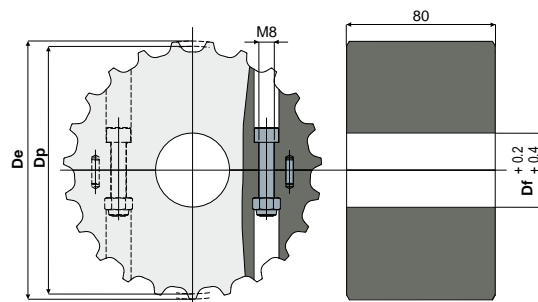
BOX QUANTITY: 8 pieces.

ON REQUEST:

- **Wheels:** With 18 mm. hole diameter to be machined.
- **Wheels:** In polyamide blue Ral 5005 FDA APPROVED.
- **Box quantity:** According to your request.

Split idler wheel 23 teeth (machined, for chains series 821)

Part. **578**



Df (mm)	Dp (mm)	De (mm)	Code
25	141,2	141,9	578 / 90941
30	141,2	141,9	578 / 90942
35	141,2	141,9	578 / 90943
40	141,2	141,9	578 / 90944

MATERIALS: Wheel made of polyamide blue Ral 5005 colour; screws made of stainless steel AISI 304, nuts in nickel plated brass.

BOX QUANTITY: 8 pieces.

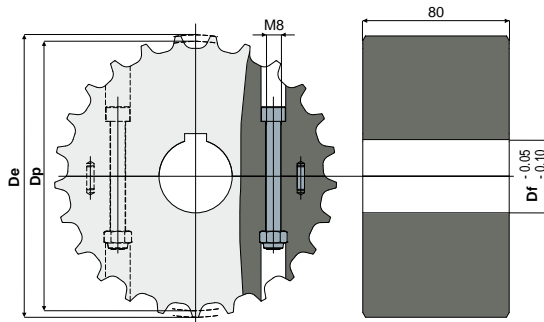
ON REQUEST:

- **Wheels:** With 18 mm. hole diameter to be machined.
- **Wheels:** In polyamide blue Ral 5005 FDA APPROVED.
- **Box quantity:** According to your request.

Idler wheels

Part. 581 Split sprocket 25 teeth (machined, for chains series 821)

NEW



Df (mm)	Dp (mm)	De (mm)	Code
25	153,2	153,9	581 / 90953
30	153,2	153,9	581 / 90954
35	153,2	153,9	581 / 90955
40	153,2	153,9	581 / 90956

MATERIALS: Wheel made of polyamide blue Ral 5005 colour; screws made of stainless steel AISI 304, nuts in nickel plated brass.

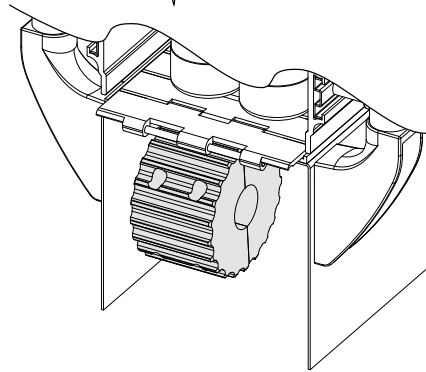
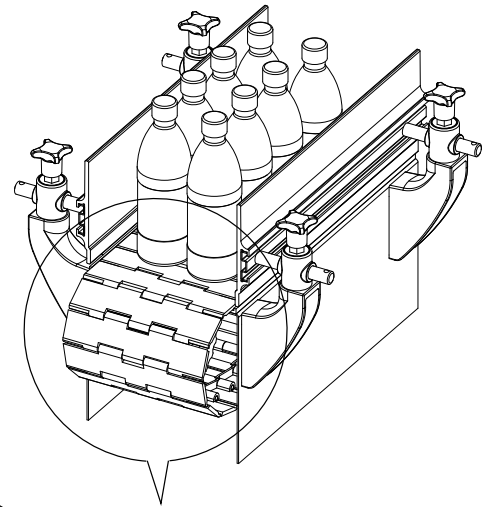
FEATURES: Dimensions of the keyway UNI 6604-69 - DIN 6885/1.

BOX QUANTITY: 8 pieces.

ON REQUEST:

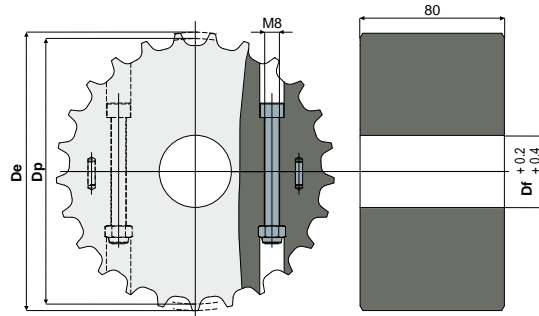
- Wheels: With 18 mm. hole diameter to be machined.
- Wheels: In polyamide blue Ral 5005 FDA APPROVED.
- Box quantity: According to your request.

Example of application



Part. 580 Split idler wheel 25 teeth (machined, for chains series 821)

NEW



Df (mm)	Dp (mm)	De (mm)	Code
25	153,2	153,9	580 / 90949
30	153,2	153,9	580 / 90950
35	153,2	153,9	580 / 90951
40	153,2	153,9	580 / 90952

MATERIALS: Wheel made of polyamide blue Ral 5005 colour; screws made of stainless steel AISI 304, nuts in nickel plated brass.

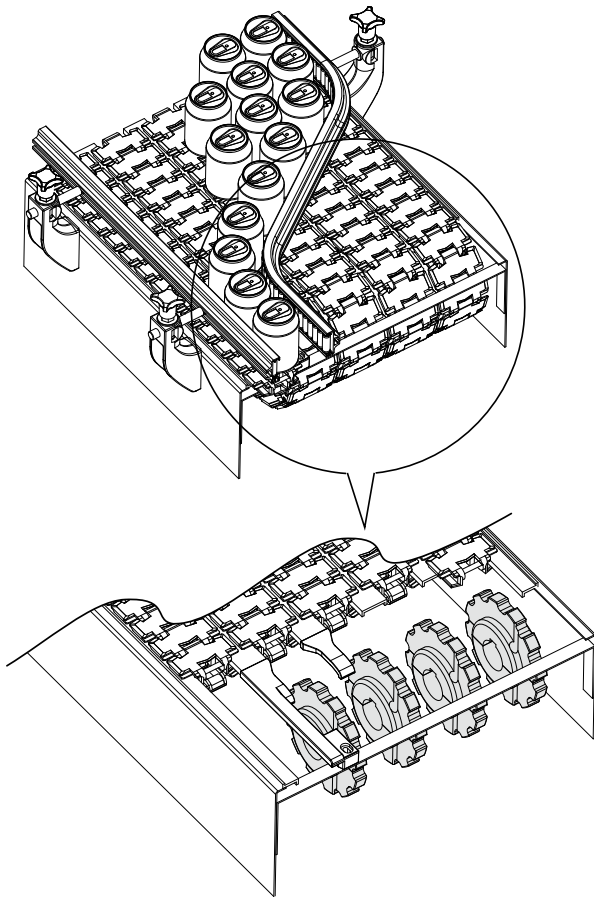
BOX QUANTITY: 8 pieces.

ON REQUEST:

- Wheels: With 18 mm. hole diameter to be machined.
- Wheels: In polyamide blue Ral 5005 FDA APPROVED.
- Box quantity: According to your request.

Idler wheels

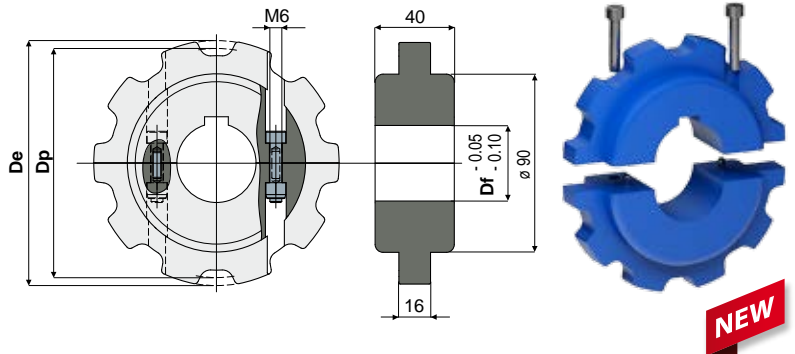
Example of application



Split sprocket 10 teeth

(machined, for chains series 879, 879 TAB, 880, 880 TAB)

Part. **583**



Df (mm)	Dp (mm)	De (mm)	Code
25	123,3	121,4	583 / 90961
30	123,3	121,4	583 / 90962
35	123,3	121,4	583 / 90963
40	123,3	121,4	583 / 90964

MATERIALS: Wheel made of polyamide blue Ral 5005 colour; screws made of stainless steel AISI 304, nuts in nickel plated brass.

FEATURES: Dimensions of the keyway UNI 6604-69 - DIN 6885/1. To be used with chains Part.710, 711, 713.

BOX QUANTITY: 8 pieces.

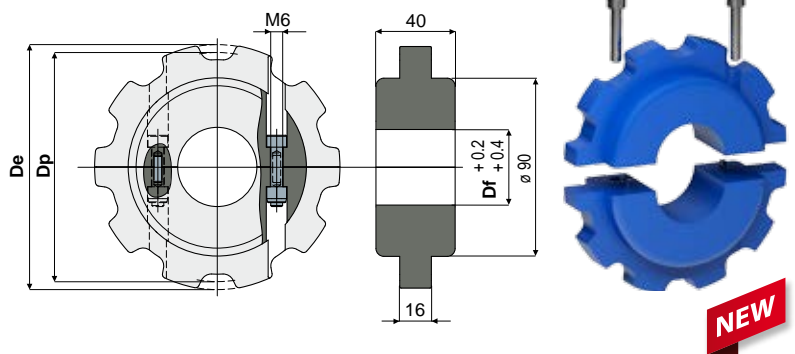
ON REQUEST:

- Wheels: With 18 mm. hole diameter to be machined.
- Wheels: In polyamide blue Ral 5005 FDA APPROVED.
- Box quantity: According to your request.

Split idler wheel 10 teeth

(machined, for chains series 879, 879 TAB, 880, 880 TAB)

Part. **582**



Df (mm)	Dp (mm)	De (mm)	Code
25	123,3	121,4	582 / 90957
30	123,3	121,4	582 / 90958
35	123,3	121,4	582 / 90959
40	123,3	121,4	582 / 90960

MATERIALS: Wheel made of polyamide blue Ral 5005 colour; screws made of stainless steel AISI 304, nuts in nickel plated brass.

FEATURES: To be used with chains Part.710, 711, 713.

BOX QUANTITY: 8 pieces.

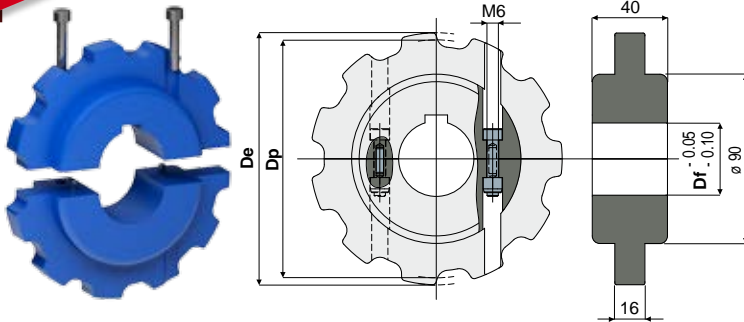
ON REQUEST:

- Wheels: With 18 mm. hole diameter to be machined.
- Wheels: In polyamide blue Ral 5005 FDA APPROVED.
- Box quantity: According to your request.

Idler wheels

Part. **585** **Split sprocket 11 teeth**
(machined, for chains series 879, 879 TAB, 880, 880 TAB)

NEW



Df (mm)	Dp (mm)	De (mm)	Code
25	135,2	133,9	585 / 90969
30	135,2	133,9	585 / 90970
35	135,2	133,9	585 / 90971
40	135,2	133,9	585 / 90972

MATERIALS: Wheel made of polyamide blue Ral 5005 colour; screws made of stainless steel AISI 304, nuts in nickel plated brass.

FEATURES: Dimensions of the keyway UNI 6604-69 - DIN 6885/1. To be used with chains Part.710, 711, 713.

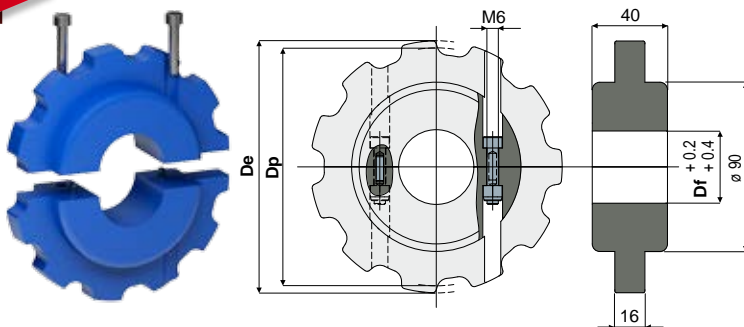
BOX QUANTITY: 8 pieces.

ON REQUEST:

- Wheels: With 18 mm. hole diameter to be machined.
- Wheels: In polyamide blue Ral 5005 FDA APPROVED.
- Box quantity: According to your request.

Part. **584** **Split idler wheel 11 teeth**
(machined, for chains series 879, 879 TAB, 880, 880 TAB)

NEW



Df (mm)	Dp (mm)	De (mm)	Code
25	135,2	133,9	584 / 90965
30	135,2	133,9	584 / 90966
35	135,2	133,9	584 / 90967
40	135,2	133,9	584 / 90968

MATERIALS: Wheel made of polyamide blue Ral 5005 colour; screws made of stainless steel AISI 304, nuts in nickel plated brass.

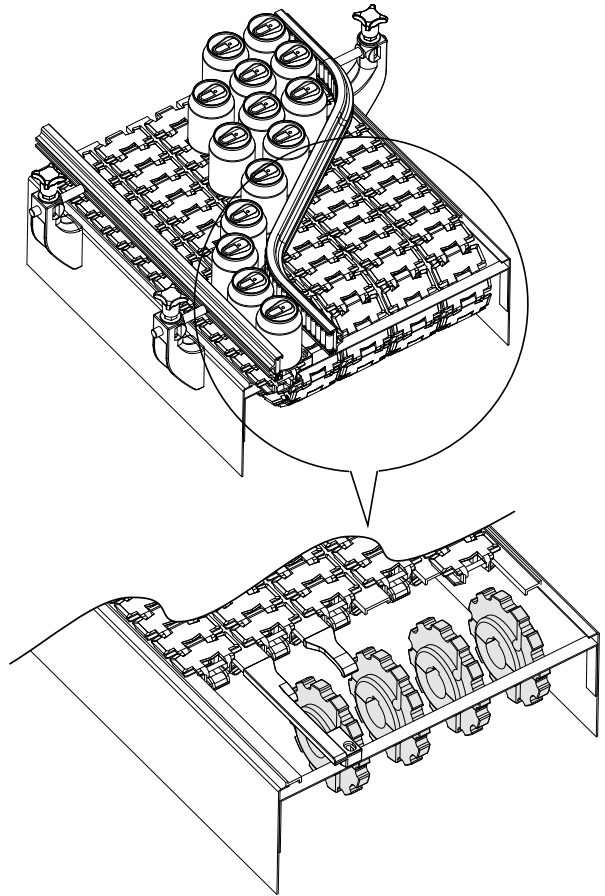
FEATURES: To be used with chains Part.710, 711, 713.

BOX QUANTITY: 8 pieces.

ON REQUEST:

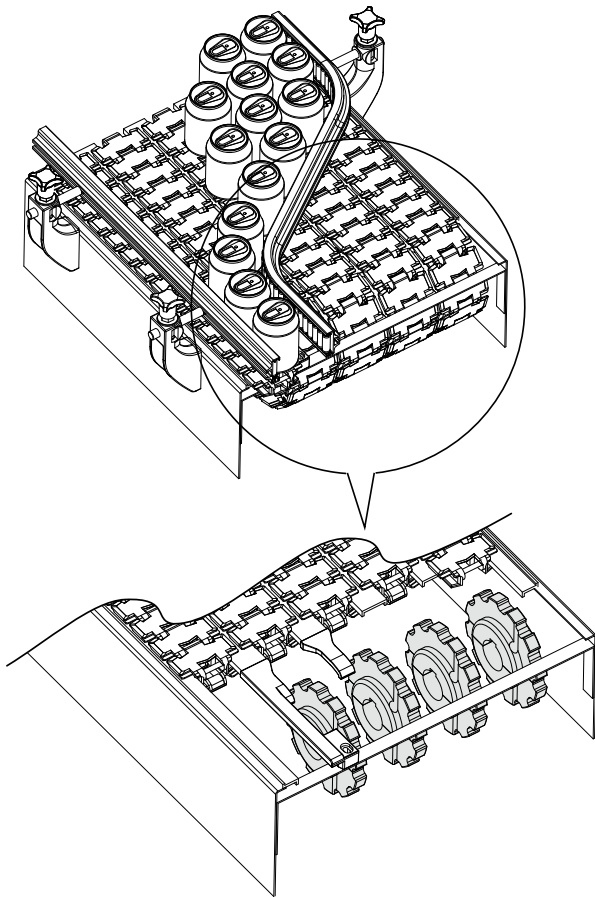
- Wheels: With 18 mm. hole diameter to be machined.
- Wheels: In polyamide blue Ral 5005 FDA APPROVED.
- Box quantity: According to your request.

Example of application



Idler wheels

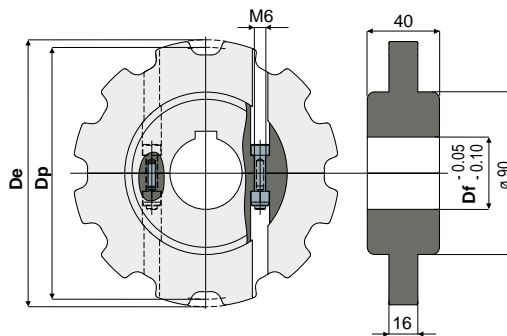
Example of application



Split sprocket 12 teeth

(machined, for chains series 879, 879 TAB, 880, 880 TAB)

Part. **587**



Df (mm)	Dp (mm)	De (mm)	Code
25	147,2	145,8	587 / 90977
30	147,2	145,8	587 / 90978
35	147,2	145,8	587 / 90979
40	147,2	145,8	587 / 90980

MATERIALS: Wheel made of polyamide blue Ral 5005 colour; screws made of stainless steel AISI 304, nuts in nickel plated brass.

FEATURES: Dimensions of the keyway UNI 6604-69 - DIN 6885/1. 6885/1. To be used with chains Part.710, 711, 713.

BOX QUANTITY: 8 pieces.

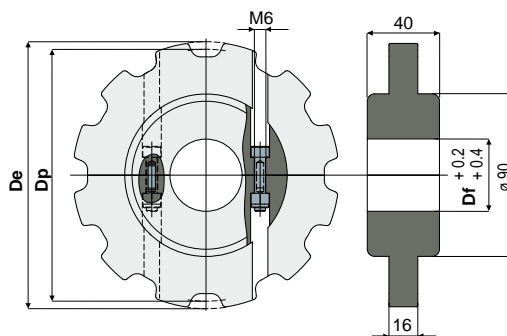
ON REQUEST:

- Wheels: With 18 mm. hole diameter to be machined.
- Wheels: In polyamide blue Ral 5005 FDA APPROVED.
- Box quantity: According to your request.

Split idler wheel 12 teeth

(machined, for chains series 879, 879 TAB, 880, 880 TAB)

Part. **586**



Df (mm)	Dp (mm)	De (mm)	Code
25	147,2	145,8	586 / 90973
30	147,2	145,8	586 / 90974
35	147,2	145,8	586 / 90975
40	147,2	145,8	586 / 90976

MATERIALS: Wheel made of polyamide blue Ral 5005 colour; screws made of stainless steel AISI 304, nuts in nickel plated brass.

FEATURES: To be used with chains Part.710, 711, 713.

BOX QUANTITY: 8 pieces.

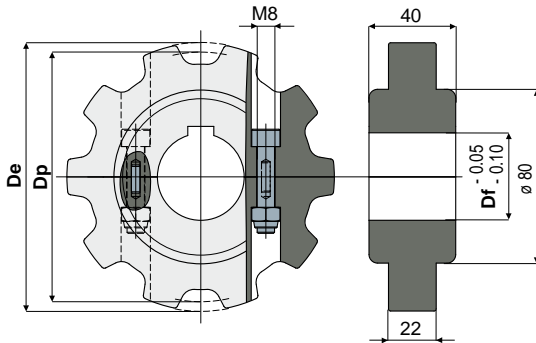
ON REQUEST:

- Wheels: With 18 mm. hole diameter to be machined.
- Wheels: In polyamide blue Ral 5005 FDA APPROVED.
- Box quantity: According to your request.

Idler wheels

Part. **589** **Split sprocket 10 teeth**
(machined, for chains series 882, 882 TAB)

NEW



Df (mm)	Dp (mm)	De (mm)	Code
25	123,2	123,7	589 / 90985
30	123,2	123,7	589 / 90986
35	123,2	123,7	589 / 90987
40	123,2	123,7	589 / 90988

MATERIALS: Wheel made of polyamide blue Ral 5005 colour; screws made of stainless steel AISI 304, nuts in nickel plated brass.

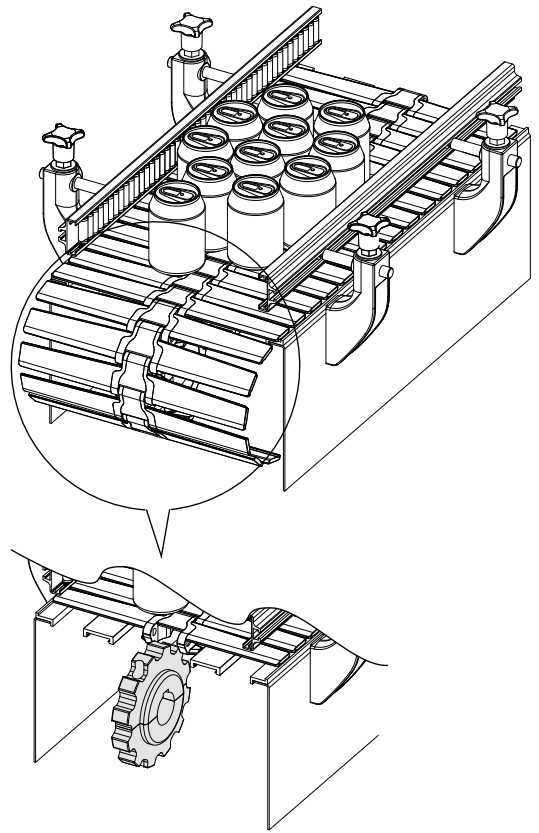
FEATURES: Dimensions of the keyway UNI 6604-69 - DIN 6885/1.

BOX QUANTITY: 8 pieces.

ON REQUEST:

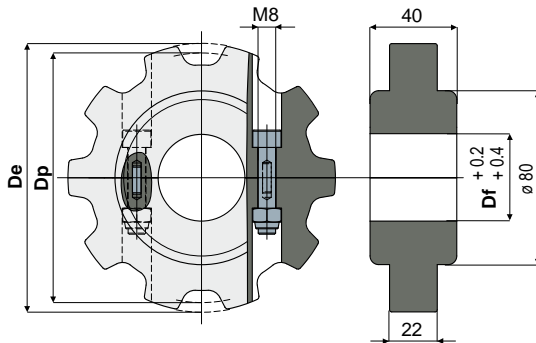
- Wheels: With 18 mm. hole diameter to be machined.
- Wheels: In polyamide blue Ral 5005 FDA APPROVED.
- Box quantity: According to your request.

Example of application



Part. **588** **Split idler wheel 10 teeth**
(machined, for chains series 882, 882 TAB)

NEW



Df (mm)	Dp (mm)	De (mm)	Code
25	123,2	123,7	588 / 90981
30	123,2	123,7	588 / 90982
35	123,2	123,7	588 / 90983
40	123,2	123,7	588 / 90984

MATERIALS: Wheel made of polyamide blue Ral 5005 colour; screws made of stainless steel AISI 304, nuts in nickel plated brass.

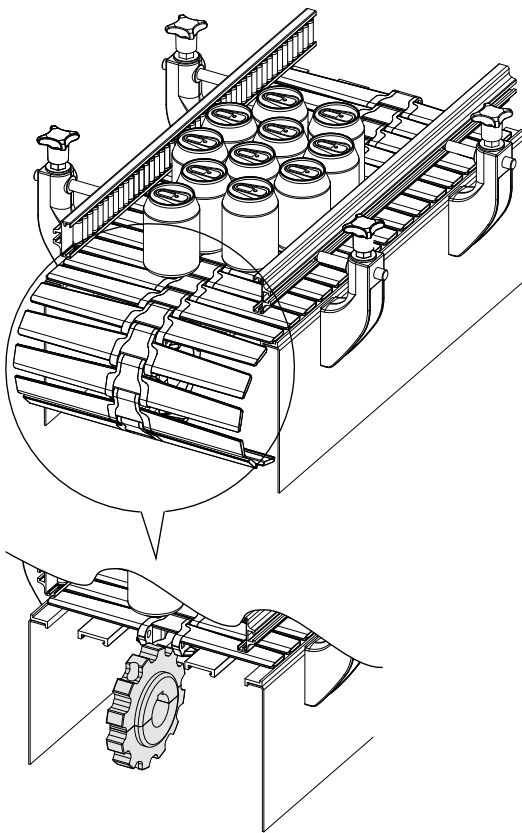
BOX QUANTITY: 8 pieces.

ON REQUEST:

- Wheels: With 18 mm. hole diameter to be machined.
- Wheels: In polyamide blue Ral 5005 FDA APPROVED.
- Box quantity: According to your request.

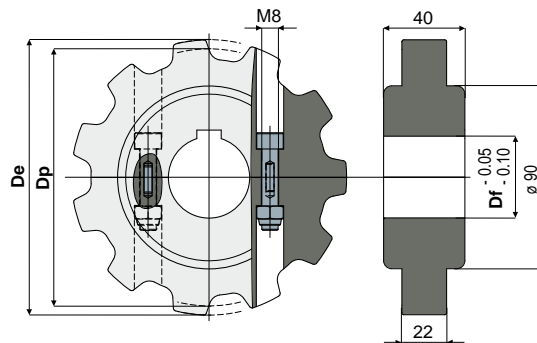
Idler wheels

Example of application



Split sprocket 11 teeth (machined, for chains series 882, 882 TAB)

Part. **591**



Df (mm)	Dp (mm)	De (mm)	Code
25	135,2	135,4	591 / 90993
30	135,2	135,4	591 / 90994
35	135,2	135,4	591 / 90995
40	135,2	135,4	591 / 90996

MATERIALS: Wheel made of polyamide blue Ral 5005 colour; screws made of stainless steel AISI 304, nuts in nickel plated brass.

FEATURES: Dimensions of the keyway UNI 6604-69 - DIN 6885/1.

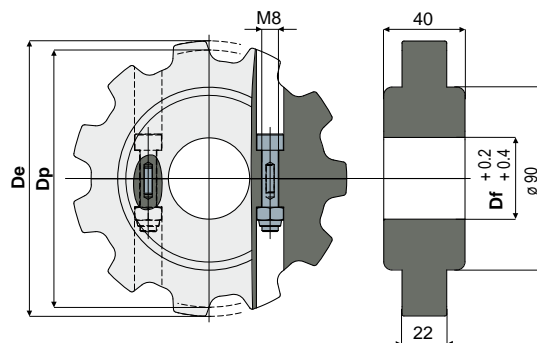
BOX QUANTITY: 8 pieces.

ON REQUEST:

- **Wheels:** With 18 mm. hole diameter to be machined.
- **Wheels:** In polyamide blue Ral 5005 FDA APPROVED.
- **Box quantity:** According to your request.

Split idler wheel 11 teeth (machined, for chains series 882, 882 TAB)

Part. **590**



Df (mm)	Dp (mm)	De (mm)	Code
25	135,2	135,4	590 / 90989
30	135,2	135,4	590 / 90990
35	135,2	135,4	590 / 90991
40	135,2	135,4	590 / 90992

MATERIALS: Wheel made of polyamide blue Ral 5005 colour; screws made of stainless steel AISI 304, nuts in nickel plated brass.

BOX QUANTITY: 8 pieces.

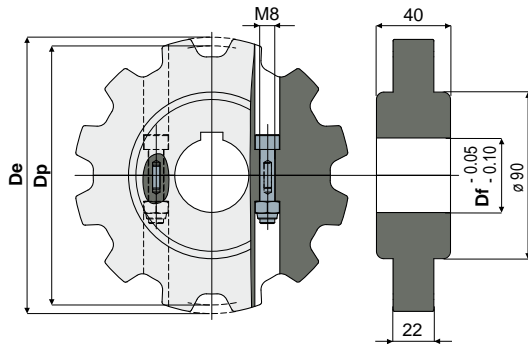
ON REQUEST:

- **Wheels:** With 18 mm. hole diameter to be machined.
- **Wheels:** In polyamide blue Ral 5005 FDA APPROVED.
- **Box quantity:** According to your request.

Idler wheels

Part. 593 Split sprocket 12 teeth (machined, for chains series 882, 882 TAB)

NEW



Df (mm)	Dp (mm)	De (mm)	Code
25	147,2	147,6	593 / 91001
30	147,2	147,6	593 / 91002
35	147,2	147,6	593 / 91003
40	147,2	147,6	593 / 91004

MATERIALS: Wheel made of polyamide blue Ral 5005 colour; screws made of stainless steel AISI 304, nuts in nickel plated brass.

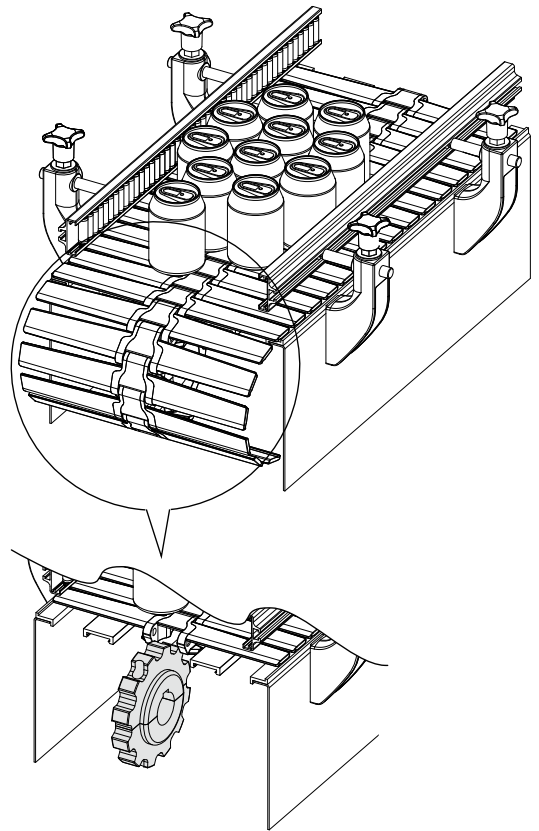
FEATURES: Dimensions of the keyway UNI 6604-69 - DIN 6885/1.

BOX QUANTITY: 8 pieces.

ON REQUEST:

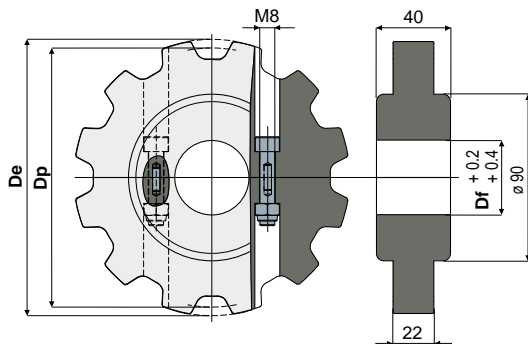
- Wheels: With 18 mm. hole diameter to be machined.
- Wheels: In polyamide blue Ral 5005 FDA APPROVED.
- Box quantity: According to your request.

Example of application



Part. 592 Split idler wheel 12 teeth (machined, for chains series 882, 882 TAB)

NEW



Df (mm)	Dp (mm)	De (mm)	Code
25	147,2	147,6	592 / 90997
30	147,2	147,6	592 / 90998
35	147,2	147,6	592 / 90999
40	147,2	147,6	592 / 91000

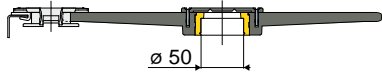
MATERIALS: Wheel made of polyamide blue Ral 5005 colour; screws made of stainless steel AISI 304, nuts in nickel plated brass.

BOX QUANTITY: 8 pieces.

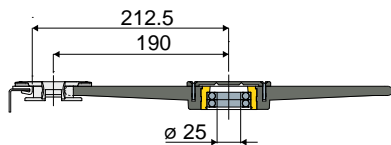
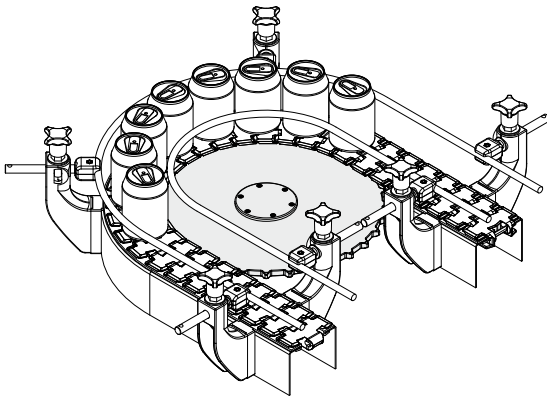
ON REQUEST:

- Wheels: With 18 mm. hole diameter to be machined.
- Wheels: In polyamide blue Ral 5005 FDA APPROVED.
- Box quantity: According to your request.

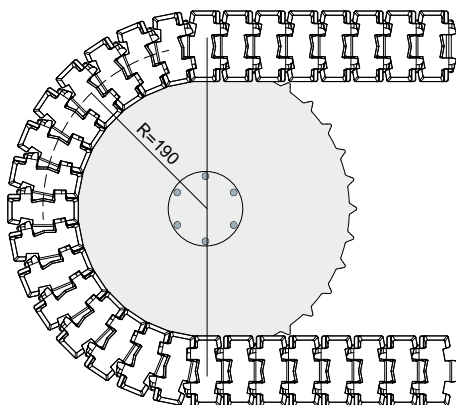
Idler wheels



Example of application



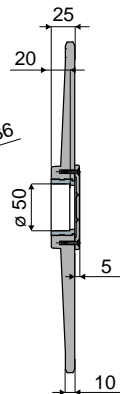
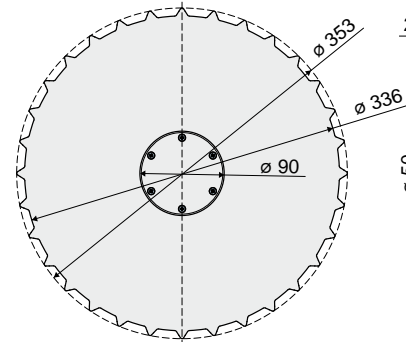
Example of application



Split sprocket 32 teeth

(for chains series 879 BO, 879 TAB BO, 880 BO, 880 TAB BO)

Part. **459**



Code
459 / 85436

MATERIALS: Wheel and external cap made of reinforced polyamide black colour; bushing in brass; self-threading screws in stainless steel AISI 304.

FEATURES: To be used with chains Part.710, 711, 713.

BOX QUANTITY: 2 pieces.

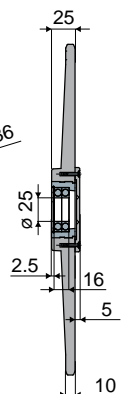
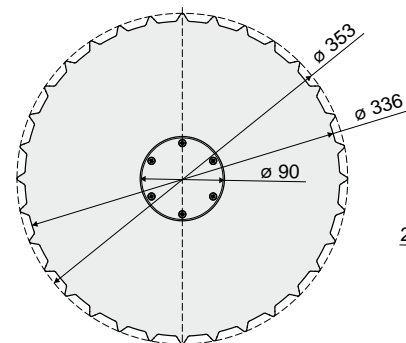
ON REQUEST:

- Wheels: In different colours.
- Box quantity: According to your request.

Split idler wheel 32 teeth

(for chains series 879 BO, 879 TAB BO, 880 BO, 880 TAB BO)

Part. **458**



Code
458 / 85435

MATERIALS: Wheel and external cap made of reinforced polyamide black colour; bushing in brass; stop ring and self-threading screws in stainless steel AISI 304; bearing type 16005 25x47x8 in chrome steel.

FEATURES: To be used with chains Part.710, 711, 713.

BOX QUANTITY: 2 pieces.

ON REQUEST:

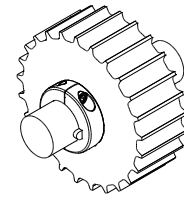
- Wheels: In different colours.
- Box quantity: According to your request.

Split shaft collars

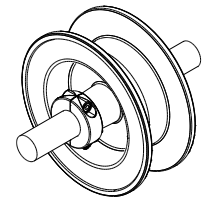
Part. 288 Split shaft collar (with round bore)



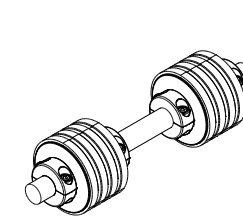
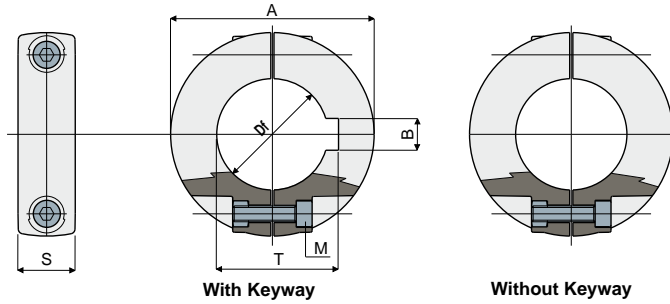
Example of applications



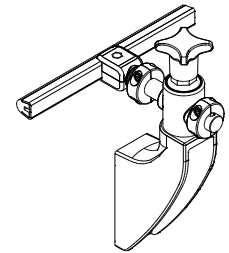
Sprockets



Idler wheels



Rollers for chain return



Guide rail bracket

With keyway						
Df (mm)	A (mm)	S (mm)	M (mm)	B (mm)	T (mm)	Code
20	40	14	M4	6	22,8	288 / 82555
25	50	14	M5	8	28,3	288 / 82556
30	50	14	M5	8	33,3	288 / 82557
35	65	14	M5	10	38,3	288 / 82558
40	65	14	M5	12	43,3	288 / 82559

Without keyway				
Df (mm)	A (mm)	S (mm)	M (mm)	Code
12	35	13	M4	288 / 82560
14	35	13	M4	288 / 82561
15	35	13	M4	288 / 83649
16	35	13	M4	288 / 82562
18	40	14	M4	288 / 82563
20	40	14	M4	288 / 82564
25	50	14	M5	288 / 82565
30	50	14	M5	288 / 82566
35	65	14	M5	288 / 82567
40	65	14	M5	288 / 82568

MATERIALS: Collars made out of reinforced polyamide black colour; bolt and nuts made out of stainless steel AISI 304.

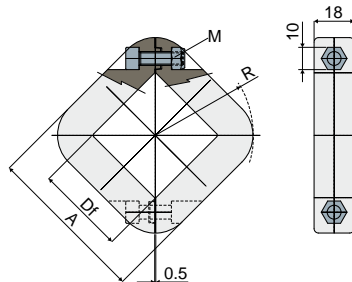
FEATURES: Supplied assembled. To be assembled on the shaft to obtain wheels axial blocking; to be assembled on pins for guides supporting to adjust the position of guides according to the bottle size. Dimensions of the keyway UNI 6604-69 - DIN 6885/1

BOX QUANTITY: 48 pieces.

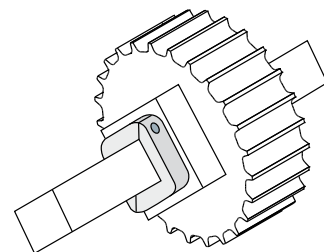
ON REQUEST:

- Collars: In different colours.
- Box quantity: According to your request.

Part. 376 Split shaft collar (with square bore)



Example of application



M (mm)	Df (mm)	A (mm)	R (mm)	Code
M6	25	62	37	376 / 90546
M6	30	62	37	376 / 90547
M6	40	72	44	376 / 83895
M6	50	82	51	376 / 90548
M6	60	92	58	376 / 85067

MATERIALS: Collar made out of reinforced polyamide black colour; self-locking nuts and screws made of stainless steel AISI 304.

FEATURES: To be assembled on the shaft to obtain wheels axial blocking.

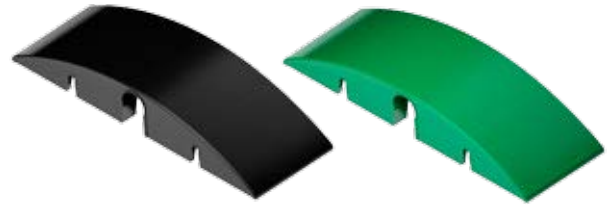
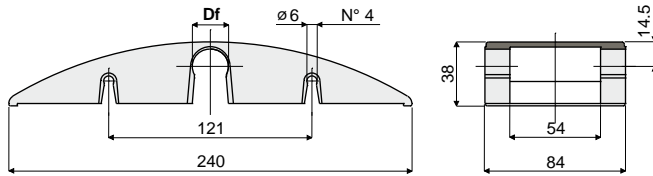
BOX QUANTITY: 48 pieces.

ON REQUEST:

- Collars: In different colours.
- Box quantity: According to your request.

Shoes

Self-adjusting sliding shoe for chain return Part. 267



Df Bore for pin of (mm)	Polyamide (black)	Polyethylene (green)
	Code	Code
18	267 / 82038	267 / 82812
20	267 / 82039	267 / 82813

MATERIALS: Sliding shoe is made of polyamide black colour or of polyethylene green colour.

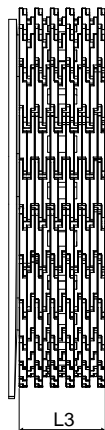
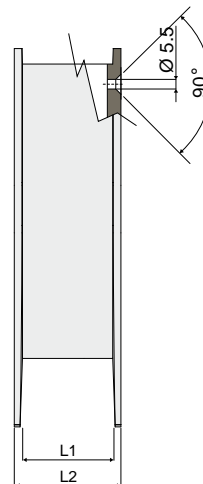
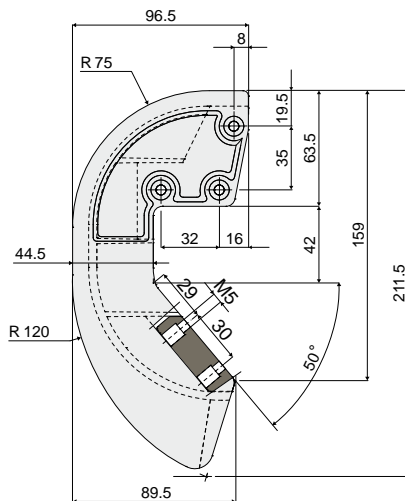
FEATURES: To be assembled in the chain return near to the sprocket. Snap-on assembly.

BOX QUANTITY: 12 pieces.

ON REQUEST:

- Sliding shoes: In different colours.
- Box quantity: According to your request.

Shoe for chain return Part. 359 (for "Raised Rib" chains)



Code	L1	L2	L3 (Chain width)
359 / 83504	41	50	38,5
359 / 83503	49	58,5	47

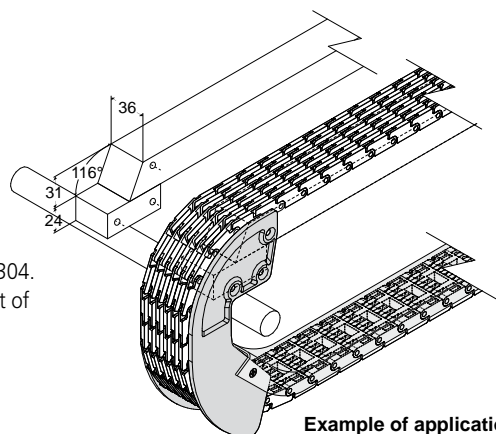
MATERIALS: Shoe in black polyethylene; screws in stainless steel AISI 304.

FEATURES: Supplied complete with screws. To be used in the idler part of the conveyor.

BOX QUANTITY: 8 pieces.

ON REQUEST:

- Shoes: In different colours.
- Box quantity: According to your request.



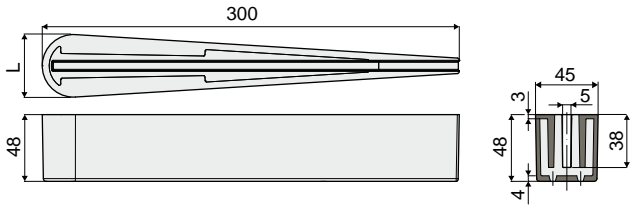
Example of application

Shoes

Part. 428 Product guide shoe



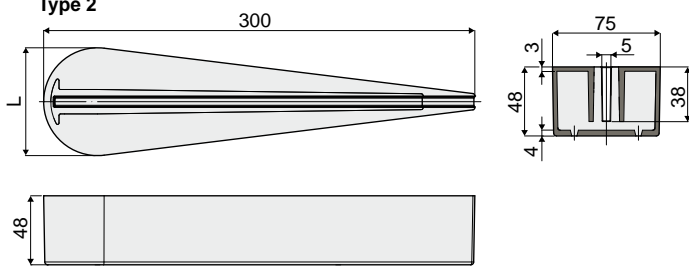
Type 1



L (mm)	Type 1 Code
45	428 / 85063



Type 2



L (mm)	Type 2 Code
75	428 / 85064

MATERIALS: Internal part made of reinforced polypropylene, black colour; external covering in HD polyethylene, black colour.

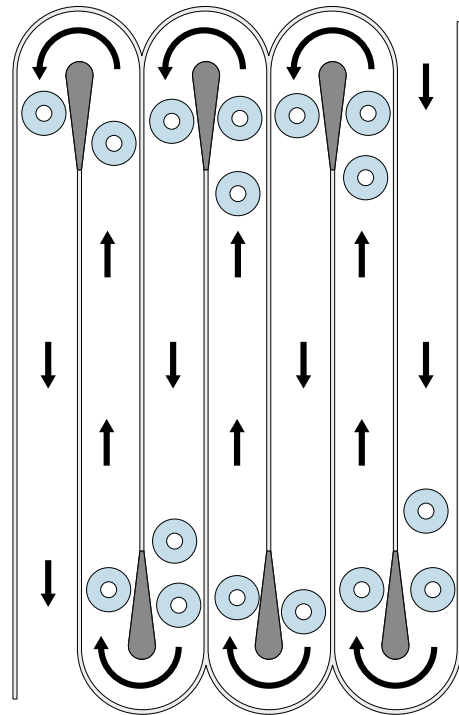
FEATURES: To be used as product guide in the conveyor systems.

BOX QUANTITY: 12 pieces.

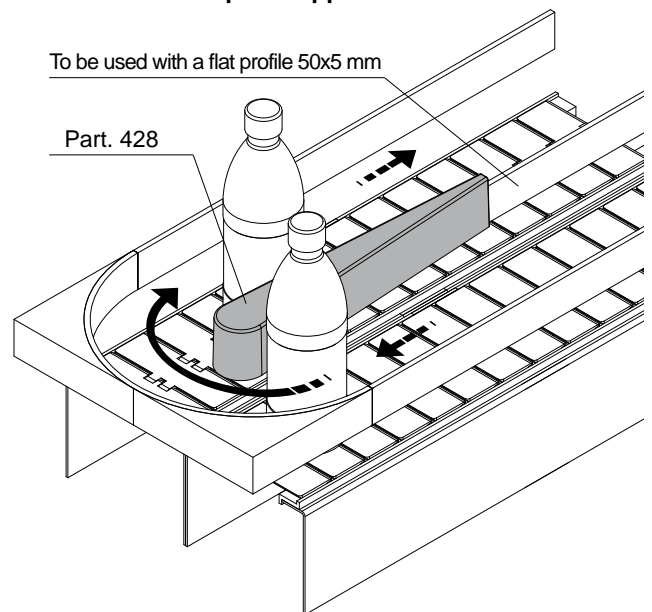
ON REQUEST:

- Shoes: In different colours.
- Box quantity: According to your request.

Example of application



Example of application



To be used with a flat profile 50x5 mm

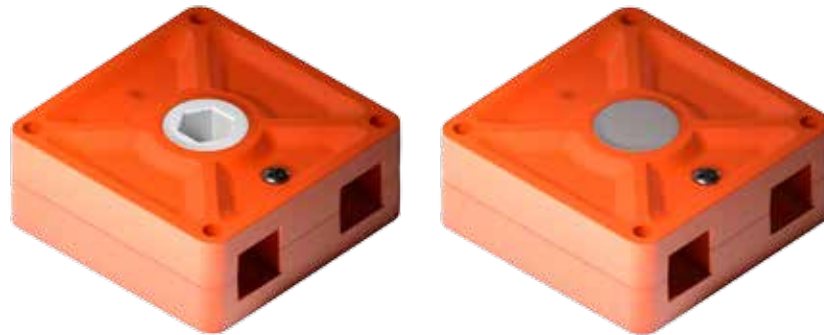
Part. 428

Accessories for the cross adjustment of the side guides

Reducer for Racks

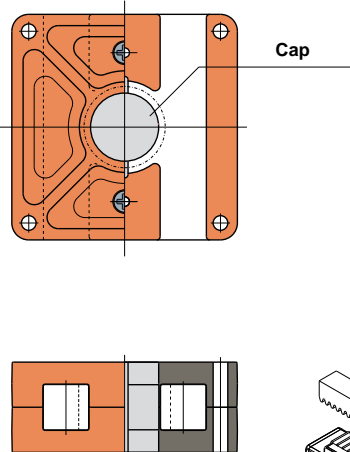
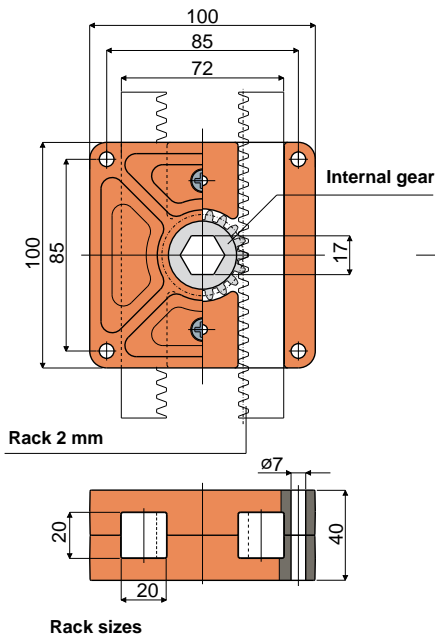
(for the cross adjustment of the side guides)

Part. **299**

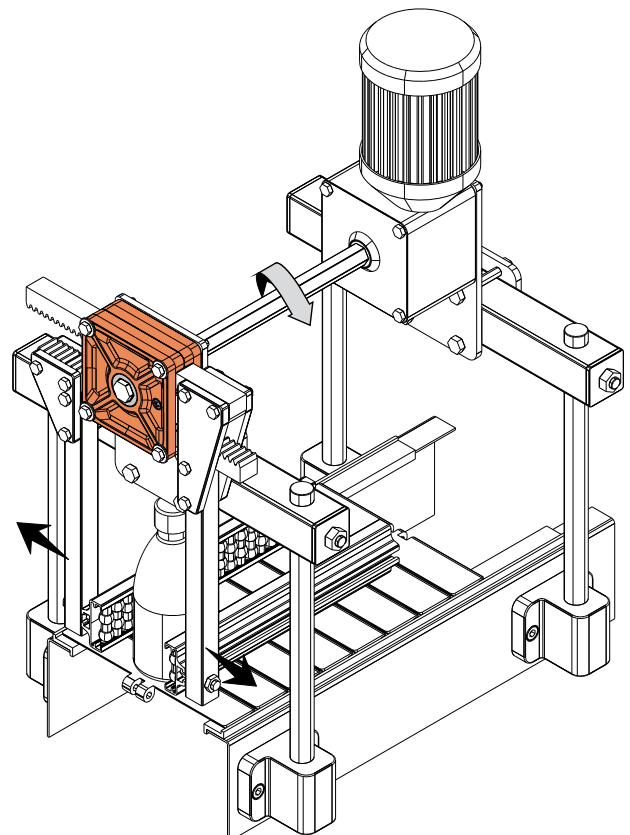


With gear

Without gear



Example of application



Internal gear made of acetal	Internal gear made of brass	Without gear
Code	Code	Code
299 / 82681	299 / 83378	299 / 82680

MATERIALS: External body of reducer is made of reinforced polyamide orange colour; self-threading screws are made of stainless steel AISI 304. Available: without internal gear; with internal gear made of acetal, white colour; with internal gear made of brass.

FEATURES: To be used for the cross adjustment of the side guides while changing the size of the conveyed product.

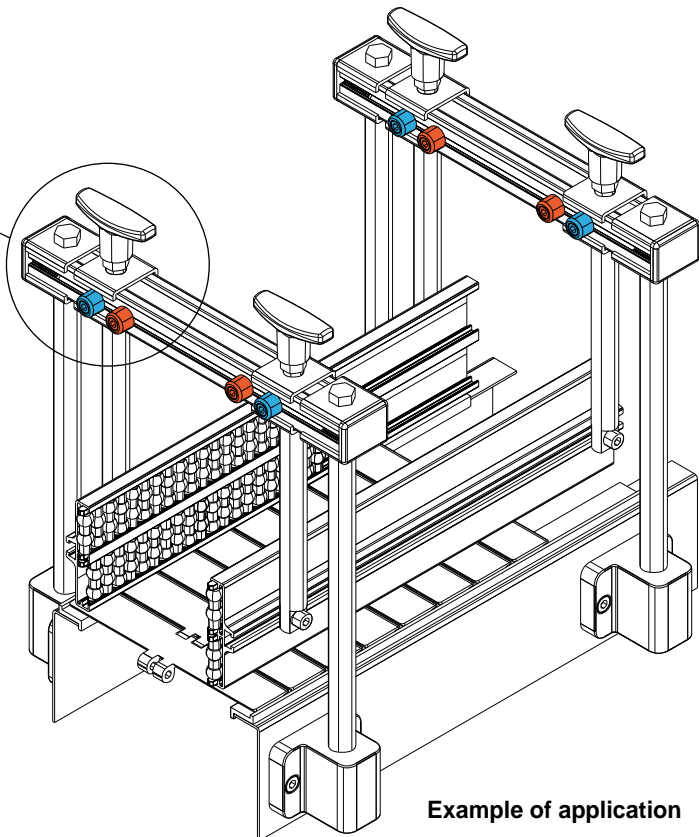
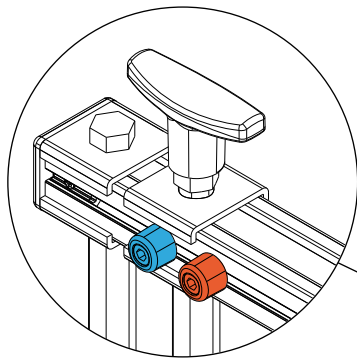
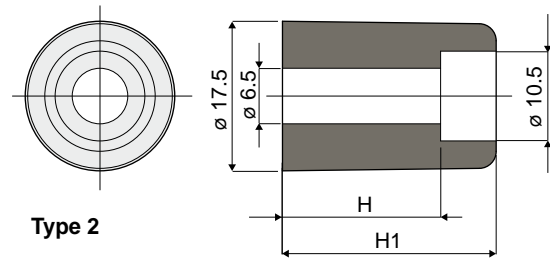
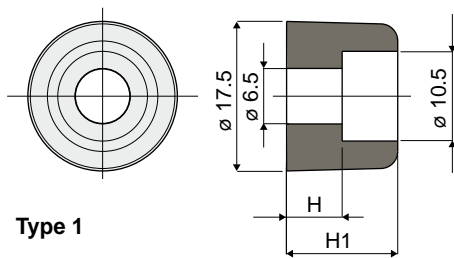
BOX QUANTITY: 24 pieces.

ON REQUEST:

- Reducers: In different colours.
- Box quantity: According to your request.

Accessories for the cross adjustment of the side guides

Part. 331 Reference peg for size changing



Example of application

Colour	H (mm)	H1 (mm)	Type 1 Code
Black RAL 9005			331 / 83090
White RAL 9001			331 / 83091
Red RAL 3000			331 / 83092
Yellow RAL 1021			331 / 83093
Blue RAL 5015			331 / 83094
Green RAL 6029	6,5	13	331 / 83095
Mustard RAL 1027			331 / 83096
Orange RAL 2004			331 / 83097
Grey RAL 7035			331 / 83098
Pink RAL 3015			331 / 83099
Light blue RAL 6027			331 / 83100
Brown RAL 8001			331 / 83101

Colour	H (mm)	H1 (mm)	Type 2 Code
White RAL 9001			331 / 84479
Red RAL 3000			331 / 84480
Yellow RAL 1021	18,5	25	331 / 84483
Blue RAL 5015			331 / 84482
Green RAL 6029			331 / 84481

MATERIALS: Peg in reinforced polypropylene.

FEATURES: To be used as a reference on the transport guides for size changing.

BOX QUANTITY: 96 pieces.

ON REQUEST:

- Box quantity: According to your request.

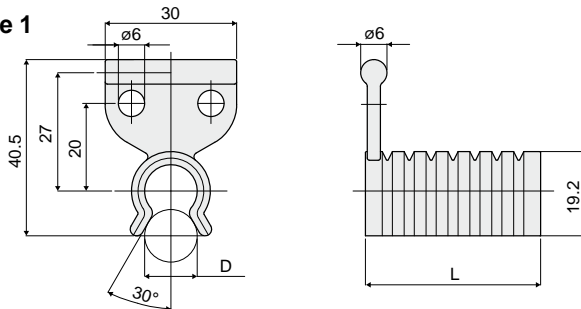
Accessories for the cross adjustment of the side guides

Spacer for guide rail pin

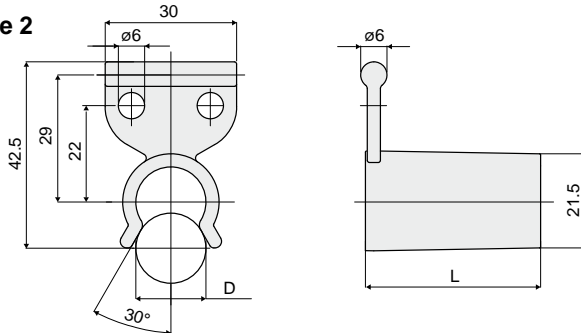
Part. 352



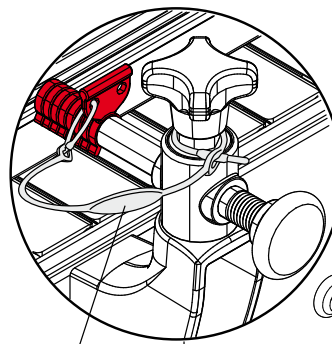
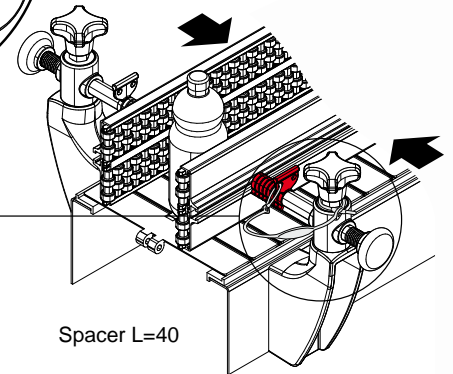
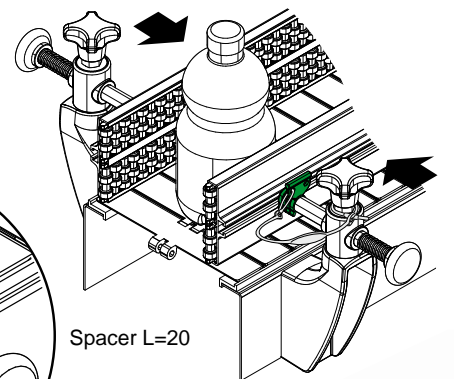
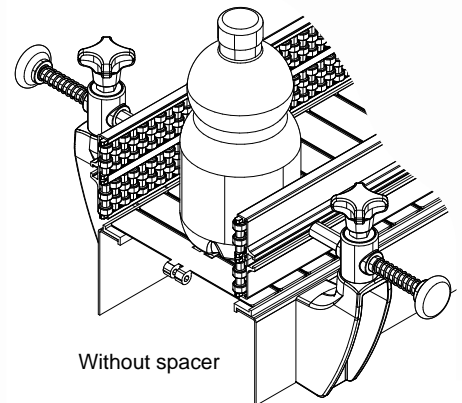
Type 1



Type 2



Example of applications



D (mm)	L (mm)	Colour	Type 1 Code
5		White RAL 9001	352 / 83419
10		Red RAL 3000	352 / 83420
15		Black RAL 9005	352 / 83421
20		Green RAL 6029	352 / 83422
25		Yellow RAL 1021	352 / 83423
30		Orange RAL 2004	352 / 83424
35		Blue RAL 5015	352 / 83425
12		White RAL 9001	352 / 83411
		Red RAL 3000	352 / 83412
		Black RAL 9005	352 / 83413
		Green RAL 6029	352 / 83414
40		Yellow RAL 1021	352 / 83415
		Orange RAL 2004	352 / 83416
		Blue RAL 5015	352 / 83417
		Grey RAL 7035	352 / 83418

D (mm)	L (mm)	Colour	Type 2 Code
		White RAL 9001	352 / 84444
		Red RAL 3000	352 / 84445
16	40	Green RAL 6029	352 / 84446
		Yellow RAL 1021	352 / 85569
		Blue RAL 5015	352 / 85570

MATERIALS: Spacer in polypropylene.

FEATURES: To be used to adjust the distance between the side guides.

Snap-on assembly. Available in different lengths and colours.

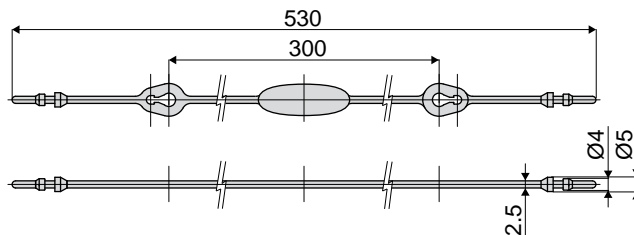
BOX QUANTITY: 24 pieces.

ON REQUEST:

- Box quantity: According to your request.

Accessories for the cross adjustment of the side guides

Part. 462 Safety string



Code
462 / 85548

MATERIALS: String made of black polyamide.

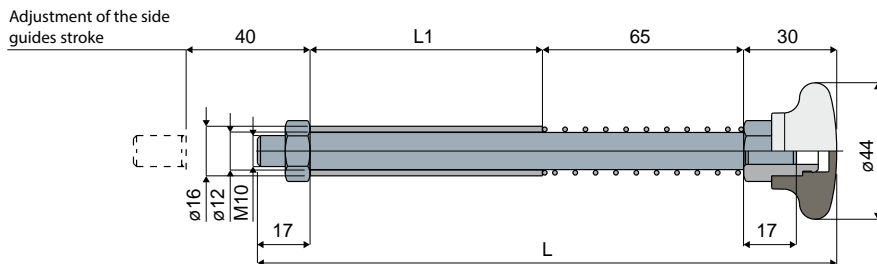
FEATURES: To be used to tie Part.352 together with Part.374.

BOX QUANTITY: 24 pieces.

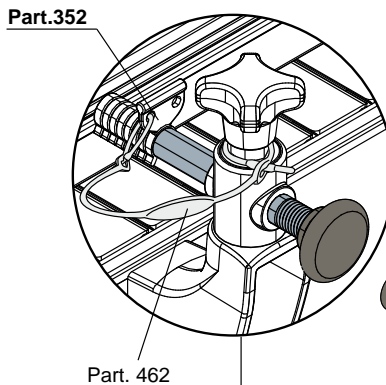
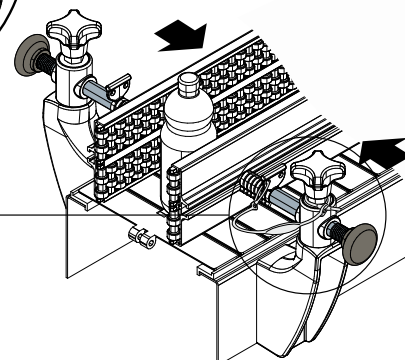
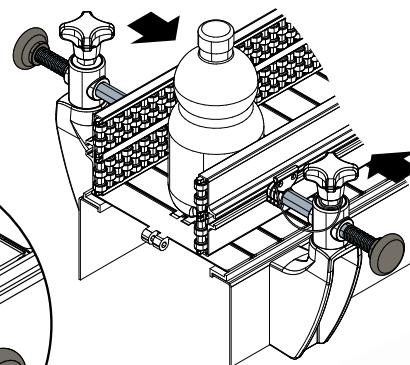
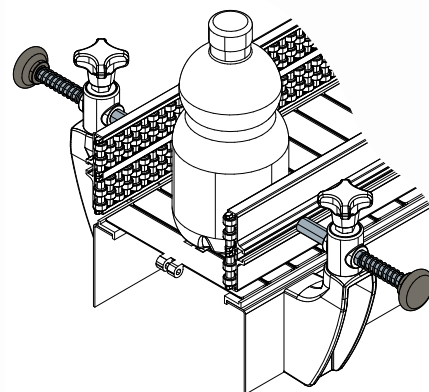
ON REQUEST:

- Strings: In different colours.
- Box quantity: According to your request.

Part. 374 Guide rail pin (for the quick adjustment of the side guides)



Example of application



L	L1	Code
187	75	374 / 83860
237	125	374 / 85977

MATERIALS: Handle made of reinforced polyamide, black colour; pin, nut, spring and dinghy in stainless steel AISI 304; bushing in nickel plated brass.

FEATURES: To be used together with our Part.352, for the quick adjustment of the side guides.

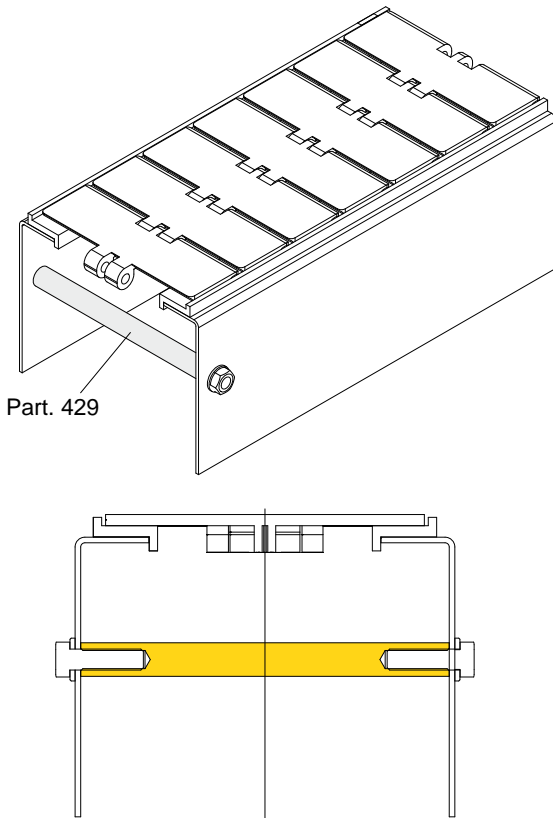
BOX QUANTITY: 24 pieces.

ON REQUEST:

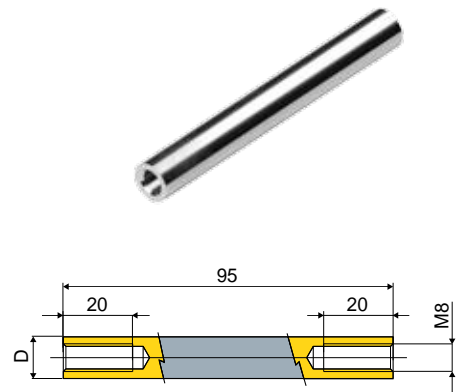
- Pins: In different lengths; with M8 thread instead of M10.
- Box quantity: According to your request.

Accessories for the cross adjustment of the side guides

Example of application



Spacer Part. 429 (for conveyors' section)



D (mm)	Code
12	429 / 85065
16	429 / 85066

MATERIALS: Spacers in stainless steel AISI 304.

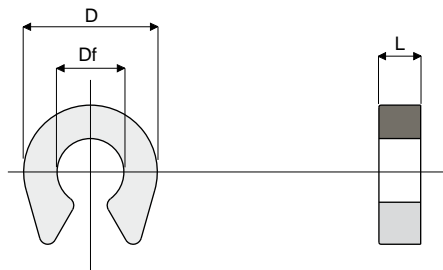
FEATURES: To be used to fix the frame in the conveyor system.

BOX QUANTITY: 24 pieces.

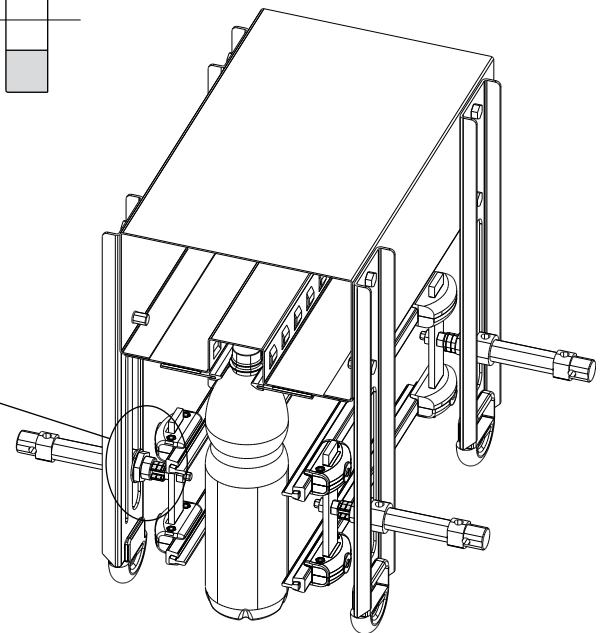
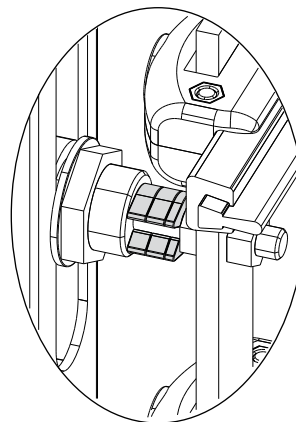
ON REQUEST:

- Box quantity: According to your request.

Spacer for rail-holder cylinder Part. 316



Df Bore diameter (mm)	D (mm)	L (mm)	Code
8	16	2,5	316 / 82871
8	16	5	316 / 82872



Example of application

MATERIALS: Spacer made of polyamide black colour.

FEATURES: To be used as spacer for the stroke regulation of rail-holder pneumatic cylinder. Snap-on assembly on 8 mm diameter spindles.

BOX QUANTITY: 96 pieces.

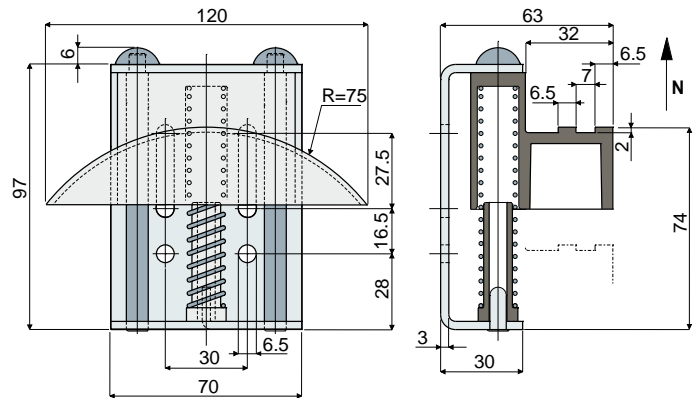
ON REQUEST:

- Box quantity: According to your request.

Chain tensioners

Part. 277

Chain tensioner with sliding shoe (for roller chains type DIN 8187 08-B1 and 08-B2)



Code	Min. tension load (N)	Max. tension load (N)
277 / 82068	60	110

MATERIALS: External part, pin and spring are made of zinc plated steel; sliding shoe and spring guide are made of polyamide black colour.

FEATURES: To be assembled in the transmissions with roller chain to stretch it.

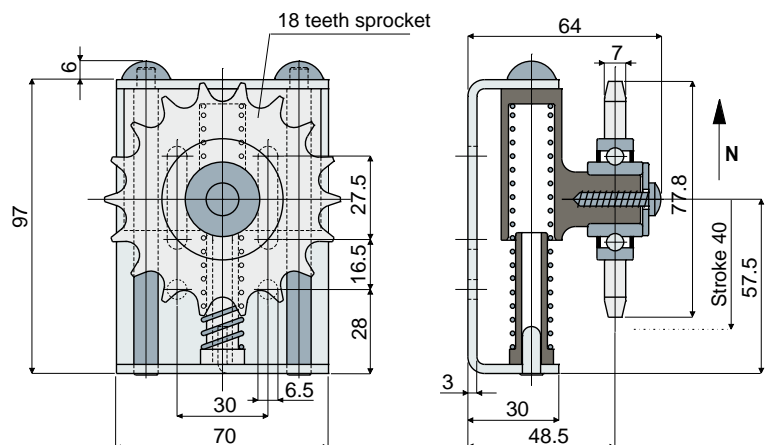
BOX QUANTITY: 12 pieces.

ON REQUEST:

- Sliding shoes: In different colours.
- Box quantity: According to your request.

Part. 278

Chain tensioner with sprocket (for roller chains type DIN 8187 08-B1)



Code	Min. tension load (N)	Max. tension load (N)
278 / 82069	60	110

MATERIALS: External part, sprocket, pins and spring are made of zinc plated steel; cursor and spring guide are made of polyamide black colour.

FEATURES: To be assembled in the transmissions with roller chain to stretch it.

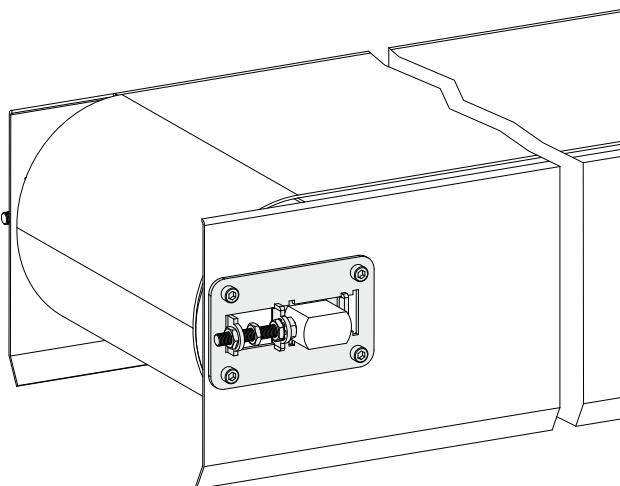
BOX QUANTITY: 12 pieces.

ON REQUEST:

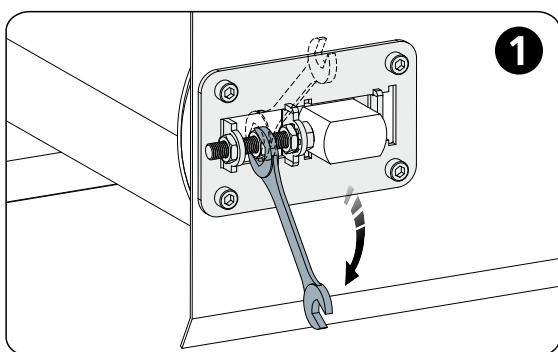
- Box quantity: According to your request.

Chain tensioners

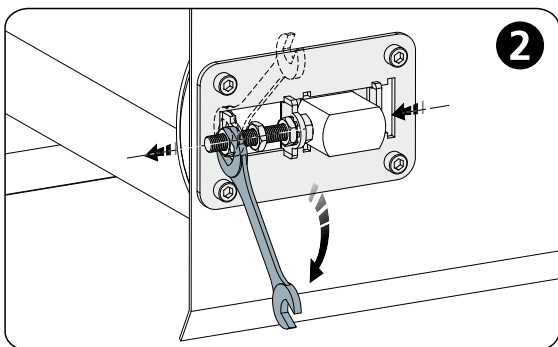
Example of application



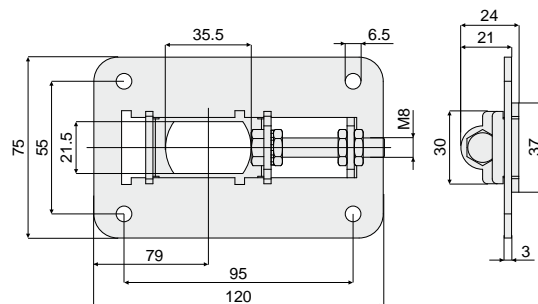
Unscrew the lock



Screw to make the pulley advance



Chain tensioner for idler pulley Part. **554**



Code
554 / 90587

MATERIALS: Chain tensioner in stainless steel AISI 304.

FEATURES: For use in conveyor lines to tension conveyor belts by adjusting idler pulleys.

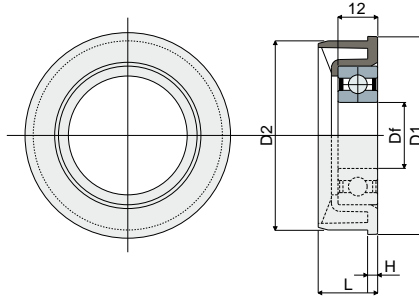
BOX QUANTITY: 2 pieces.

ON REQUEST:

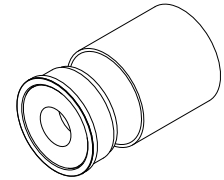
- Box quantity: According to your request.

Bearing supports

Part. 300 Bearing-holder flange



Example of assembly



Tube dimensions			Bore for pin					Code	Bearing type
Outside \varnothing (mm)	thickness (mm)	Inside \varnothing (mm)	D1 (mm)	D2 (mm)	H (mm)	L (mm)	Df (mm)		
60	1,5	57,3	60	57,3	3	18	20	300 / 84814	6004/2RS
60	1,5	57,3	60	57,3	3	18	20	300 / 82682	Supplied without bearings
50	1,5	47	50	47,3	3	18	20	300 / 86727	6004/2RS
50	1,5	47	50	47,3	3	18	20	300 / 86728	Supplied without bearings

MATERIALS: Flange is made of polyamide black colour.

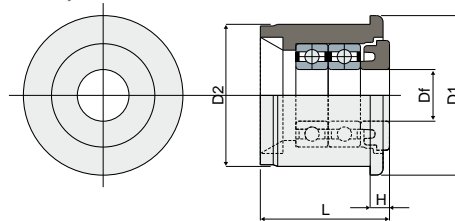
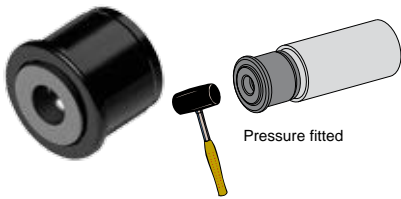
FEATURES: To be inserted in the tube sides to build a roller conveyor.

BOX QUANTITY: 24 pieces.

ON REQUEST:

- Flanges: Supplied assembled with bearings, in different colours.
- Box quantity: According to your request.

Part. 317 Bearing support for conveyor rollers (with protective shield)



Tube dimensions			Bore for pin					Code	Bearing type
Outside \varnothing (mm)	thickness (mm)	Inside \varnothing (mm)	D1 (mm)	D2 (mm)	H (mm)	L (mm)	Df (mm)		
25	1,5	22	25	22	3	20	8	317 / 82911	688/8-2RS
25	1,5	22	25	22	3	20	8	317 / 82912	Supplied without bearings

MATERIALS: Bearing support with internal part and external bushing made of polyamide black colour; bearings made of chrome steel.

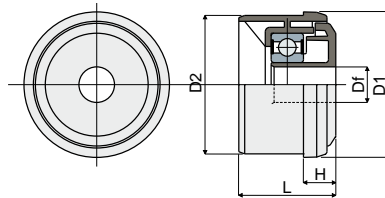
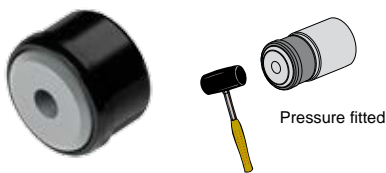
FEATURES: To be inserted in the tube sides to build a roller conveyor.

BOX QUANTITY: 24 pieces.

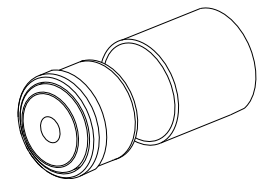
ON REQUEST:

- Bearing supports: In different colours.
- Box quantity: According to your request.

Part. 263 Bearing support for conveyor rollers (for idler roller)



Example of assembly



Tube dimensions			Bore for pin					Bearing material		Bearing type	Max Recommended load (N)
Outside \varnothing (mm)	thickness (mm)	Inside \varnothing (mm)	D1 (mm)	D2 (mm)	H (mm)	L (mm)	Df (mm)	Chrome steel Code	Stainless steel Code		
50	1,5	47	50	47	11	30	12	263 / 82032	263 / 83737	200	
50	1,5	47	50	47	11	30	14	263 / 82256	263 / 87652		
60	1,5	57	60	57	15	53	12	263 / 85071	263 / 90898		
60	1,5	57	60	57	15	53	14	263 / 85068	263 / 90899		
60	2	56	60	56	15	53	12	263 / 85072	263 / 90900		
60	2	56	60	56	15	53	14	263 / 85069	263 / 90901		
60	2,75	54,5	60	54,5	15	53	12	263 / 85073	263 / 90902		
60	2,75	54,5	60	54,5	15	53	14	263 / 85070	263 / 90903		

MATERIALS: Bearing support with protective shield made of polyamide grey colour; external bushing made of polyamide black colour; bearing made of chrome steel or stainless steel.

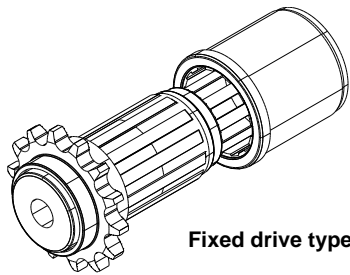
FEATURES: To be inserted in the tube sides to build a roller conveyor.

BOX QUANTITY: 24 pieces.

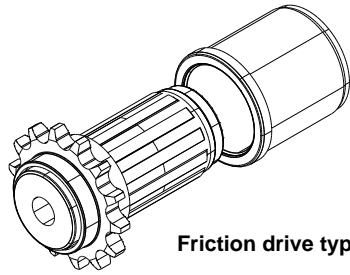
ON REQUEST:

- Bearing supports: In different colours.
- Box quantity: According to your request.

Bearing supports



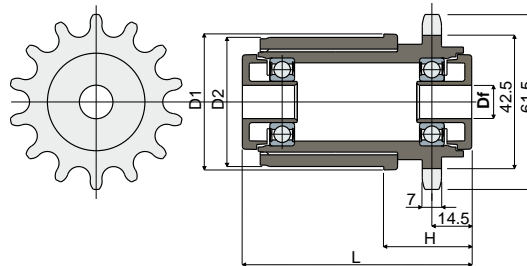
Fixed drive type



Friction drive type

14 teeth bearing support for conveyor rollers (for drive roller)

Part. **264**



Pressure fitted

Tube dimensions				Bore for pin		Fixed drive type	Friction drive type	Bearing type	Max Recommended load (N)		
Outside ø (mm)	Thickness (mm)	Inside ø (mm)	D1 (mm)	D2 (mm)	H (mm)	L (mm)	Df (mm)			Code	Code
50	1,5	47	50	47	32	83	12	264 / 82033	264 / 82217	6002-2RS	200
50	1,5	47	50	47	32	83	14	264 / 82215	264 / 82218	6002-2RS	
60	1,5	57	60	57	39	83	12	264 / 85074	264 / 84244	6002-2RS	
60	1,5	57	60	57	39	83	14	264 / 85075	264 / 84245	6002-2RS	
60	2	56	60	56	39	83	12	264 / 85076	264 / 84246	6002-2RS	
60	2	56	60	56	39	83	14	264 / 85077	264 / 84247	6002-2RS	
60	2,75	54,5	60	54,5	39	83	12	264 / 85078	264 / 84251	6002-2RS	
60	2,75	54,5	60	54,5	39	83	14	264 / 85079	264 / 84253	6002-2RS	

MATERIALS: Bearing support with protective shield made of polyamide grey colour; external bushing made of polyamide black colour; bearing made of chrome steel.

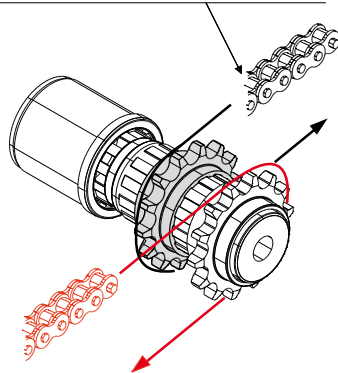
FEATURES: To be inserted in the tube sides to build a roller conveyor. Drive sprocket with 14 teeth for roller chain type DIN 8187-08-B1.

BOX QUANTITY: 24 pieces.

ON REQUEST:

- Bearing supports: In different colours.
- Box quantity: According to your request.

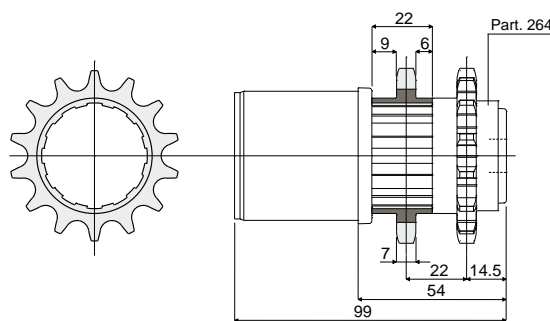
Roller chain type DIN 8187 tipo 08-B1



Example of assembly

14 teeth sprocket (for bearing support Part. 264)

Part. **265**



Code
265 / 82034

MATERIALS: Drive sprocket is made of polyamide black colour.

FEATURES: Accessory to be used with bearing support Part.264 to make the drive roller to roller. This drive type allows a greater torque.

BOX QUANTITY: 24 pieces.

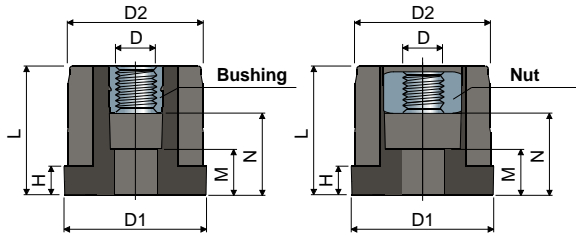
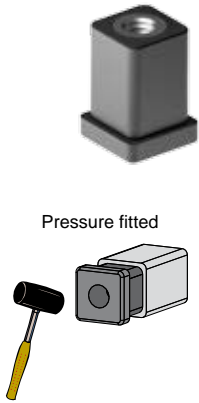
ON REQUEST:

- Sprockets: In different colours.
- Box quantity: According to your request.

Bushings

Part. 336

(for conveyor flanks)
Threaded bushing



Tube dimensions										With bushing
Outside (mm)	Thickness (mm)	Inside (mm)	Thread D	D1 (mm)	D2 (mm)	H (mm)	L (mm)	M (mm)	N (mm)	Code
20x20	1,5	17x17	M8	20x20	17x17	5	28	13	18	336 / 83138

Tube dimensions										With nut
Outside (mm)	Thickness (mm)	Inside (mm)	Thread D	D1 (mm)	D2 (mm)	H (mm)	L (mm)	M (mm)	N (mm)	Code
20x20	1,5	17x17	M8	20x20	17x17	5	28	13	18	336 / 84563

MATERIALS: Bushing in reinforced polyamide black colour; threaded insert or nut in nickel plated brass.

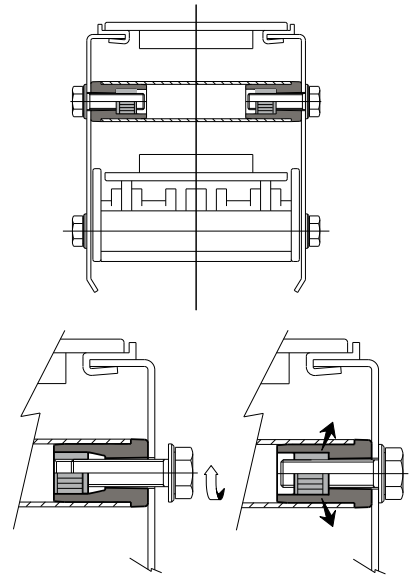
FEATURES: Supplied assembled. To be assembled in the conveyor flanks.

BOX QUANTITY: 48 pieces.

ON REQUEST:

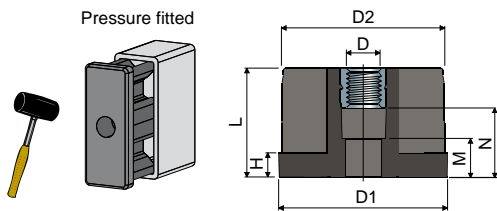
- Bushings: Special thickness tubes, in different colours.
- Box quantity: According to your request.

Example of application



Part. 335 Threaded bushing

(for conveyor flanks)



Tube dimensions										Code
Outside (mm)	Thickness (mm)	Inside (mm)	Thread D	D1 (mm)	D2 (mm)	H (mm)	L (mm)	M (mm)	N (mm)	Code
20x50	2	16x46	M8	20x50	16x46	5	28	13	18	335 / 83128

MATERIALS: Bushing in reinforced polyamide black colour; threaded insert in nickel plated brass.

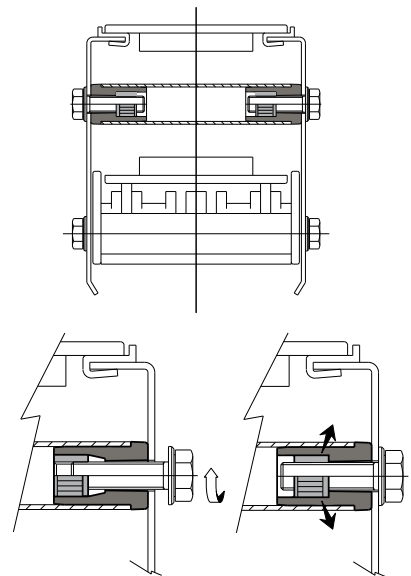
FEATURES: Supplied assembled. To be assembled in the conveyor flanks.

BOX QUANTITY: 48 pieces.

ON REQUEST:

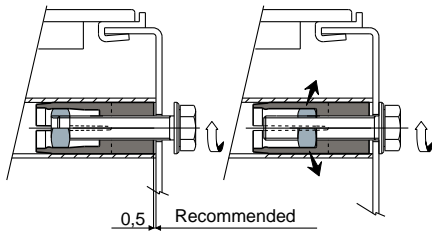
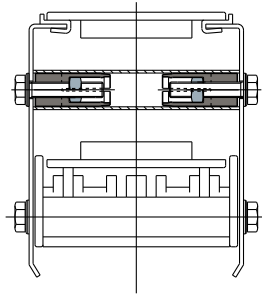
- Bushings: Special thickness tubes, in different colours.
- Box quantity: According to your request.

Example of application



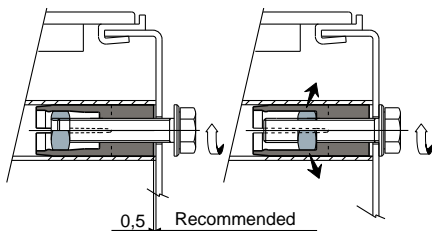
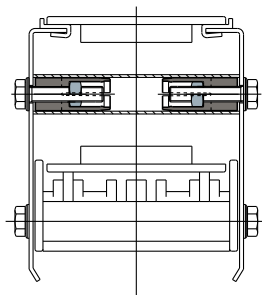
Bushings

Example of application



0.5 Recommended

Example of application

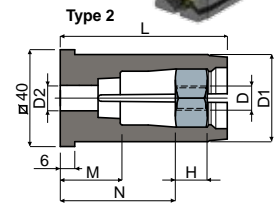
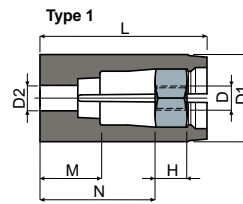
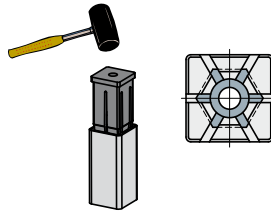


0.5 Recommended

Expansion plug (for square tubes)

Part. **414**

Pressure fitted



Tube dimensions										Type 1
Outside (mm)	Thickness (mm)	Inside (mm)	D (mm)	D1 (mm)	D2 (mm)	H (mm)	L (mm)	M (mm)	N (mm)	Code
40x40	2	36x36	M8	36	10,5	13	69	24,8	47,5	414 / 84868
40x40	2	36x36	M10	36	10,5	13	69	24,8	47,5	414 / 85096

Tube dimensions										Type 2
Outside (mm)	Thickness (mm)	Inside (mm)	D (mm)	D1 (mm)	D2 (mm)	H (mm)	L (mm)	M (mm)	N (mm)	Code
40x40	2	36x36	M8	36	10,5	13	69	24,8	47,5	414 / 84545
40x40	2	36x36	M10	36	10,5	13	69	24,8	47,5	414 / 84546

MATERIALS: Plug made of reinforced polyamide black colour; nut made of brass.

FEATURES: Supplied assembled. To be assembled in the conveyor flanks.

BOX QUANTITY: 48 pieces.

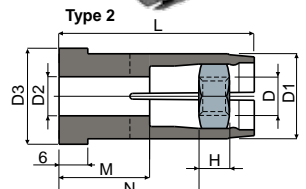
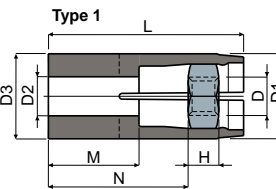
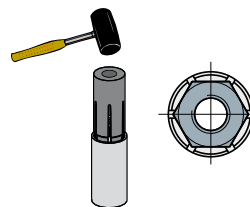
ON REQUEST:

- Plugs: Special thickness tubes, in different colours.
- Box quantity: According to your request.

Expansion plug (for round tubes)

Part. **283**

Pressure fitted



Tube dimensions										Type 1	
Outside (mm)	Thickness (mm)	Inside (mm)	D (mm)	D1 (mm)	D2 (mm)	D3 (mm)	H (mm)	L (mm)	M (mm)	N (mm)	Code
20	1,5	17	M8	17	8,5	17	6,5	40,5	19	29	283 / 82579
33,7	1,5	30,7	M8	30,7	8,5	30,7	8	40,5	13	26	283 / 87815
38	1,5	35	M8	35	10,5	35	13	69	24,8	47,5	283 / 87816
42,4	1,5	39,4	M8	39,4	10,5	39,4	13	69	24,8	47,5	283 / 87364
48,3	1,5	45,3	M8	45,3	10,5	45,3	13	69	24,8	47,5	283 / 87817
25	1,5	22	M10	22	10,5	22	8	40,5	13	26	283 / 82505
33,7	1,5	30,7	M10	30,7	10,5	30,7	8	40,5	13	26	283 / 87818
38	1,5	35	M10	35	10,5	35	13	69	24,8	47,5	283 / 87819
42,4	1,5	39,4	M10	39,4	10,5	39,4	13	69	24,8	47,5	283 / 87365
48,3	1,5	45,3	M10	45,3	10,5	45,3	13	69	24,8	47,5	283 / 87820

Tube dimensions										Type 2	
Outside (mm)	Thickness (mm)	Inside (mm)	D (mm)	D1 (mm)	D2 (mm)	D3 (mm)	H (mm)	L (mm)	M (mm)	N (mm)	Code
20	1,5	17	M8	17	8,5	20	6,5	40,5	19	29	283 / 82664
33,7	1,5	30,7	M8	30,7	8,5	33,7	8	40,5	13	26	283 / 87821
38	1,5	35	M8	35	10,5	38	13	69	24,8	47,5	283 / 87822
42,4	1,5	39,4	M8	39,4	10,5	42,4	13	69	24,8	47,5	283 / 87366
48,3	1,5	45,3	M8	45,3	10,5	48,3	13	69	24,8	47,5	283 / 87823
25	1,5	22	M10	22	10,5	25	8	40,5	13	26	283 / 84865
33,7	1,5	30,7	M10	30,7	10,5	33,7	8	40,5	13	26	283 / 87824
38	1,5	35	M10	35	10,5	38	13	69	24,8	47,5	283 / 87825
42,4	1,5	39,4	M10	39,4	10,5	42,4	13	69	24,8	47,5	283 / 87367
48,3	1,5	45,3	M10	45,3	10,5	48,3	13	69	24,8	47,5	283 / 87826

MATERIALS: Plug made of reinforced polyamide black colour; nut made of stainless steel AISI 304 (codes with outside tube dimension of 20 and 25 mm.) or made of brass (codes with outside tube dimension of 33,7 - 38 - 42,4 - 48,3 mm.).

FEATURES: Supplied assembled. To be assembled in the conveyor flanks.

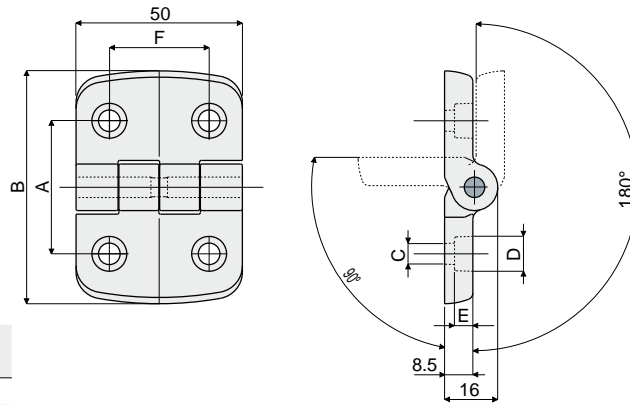
BOX QUANTITY: 48 pieces.

ON REQUEST:

- Plugs: Special thickness tubes, in different colours.
- Box quantity: According to your request.

Hinges

Part. 233 Hinge



A (mm)	B (mm)	C (mm)	D (mm)	E (mm)	F (mm)	Code
34	50	5,5	10,5	3,5	34	233 / 80970
31	50	5,5	9	5	30	233 / 80772
40	70	6,5	10,5	6	30	233 / 80773
46	70	6,5	10,5	6	30	233 / 80774
46	70	8,5	13,5	5	30	233 / 80775

MATERIALS: Hinge made of reinforced polyamide black colour; pin made of stainless steel AISI 304.

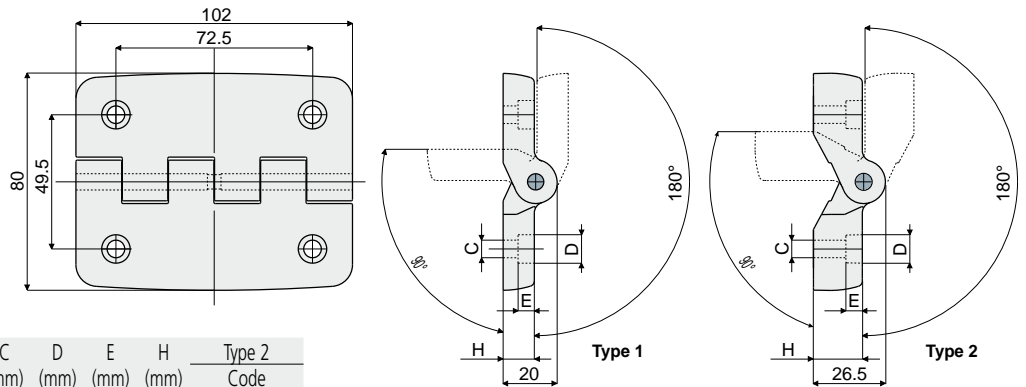
FEATURES: Maximum rotation 270°

BOX QUANTITY: 24 pieces.

ON REQUEST:

- Hinges: In different colours.
- Box quantity: According to your request.

Part. 234 Hinge



C (mm)	D (mm)	E (mm)	H (mm)	Type 1 Code	C (mm)	D (mm)	E (mm)	H (mm)	Type 2 Code
6,5	10,5	6	11,5	234 / 80776	6,5	10,5	6	18	234 / 87520
8,5	13,5	8	11,5	234 / 80777	8,5	13,5	8	18	234 / 87521

MATERIALS: Hinge made of reinforced polyamide black colour; pin made of stainless steel AISI 304.

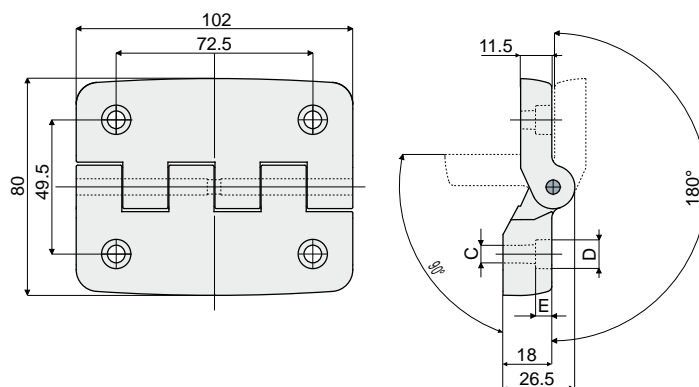
FEATURES: Maximum rotation 270°.

BOX QUANTITY: 24 pieces.

ON REQUEST:

- Hinges: In different colours.
- Box quantity: According to your request.

Part. 527 Hinge



C (mm)	D (mm)	E (mm)	Code
6,5	10,5	6	527 / 87522
8,5	13,5	8	527 / 87523

MATERIALS: Hinge made of reinforced polyamide black colour; pin made of stainless steel AISI 304.

FEATURES: Maximum rotation 270°.

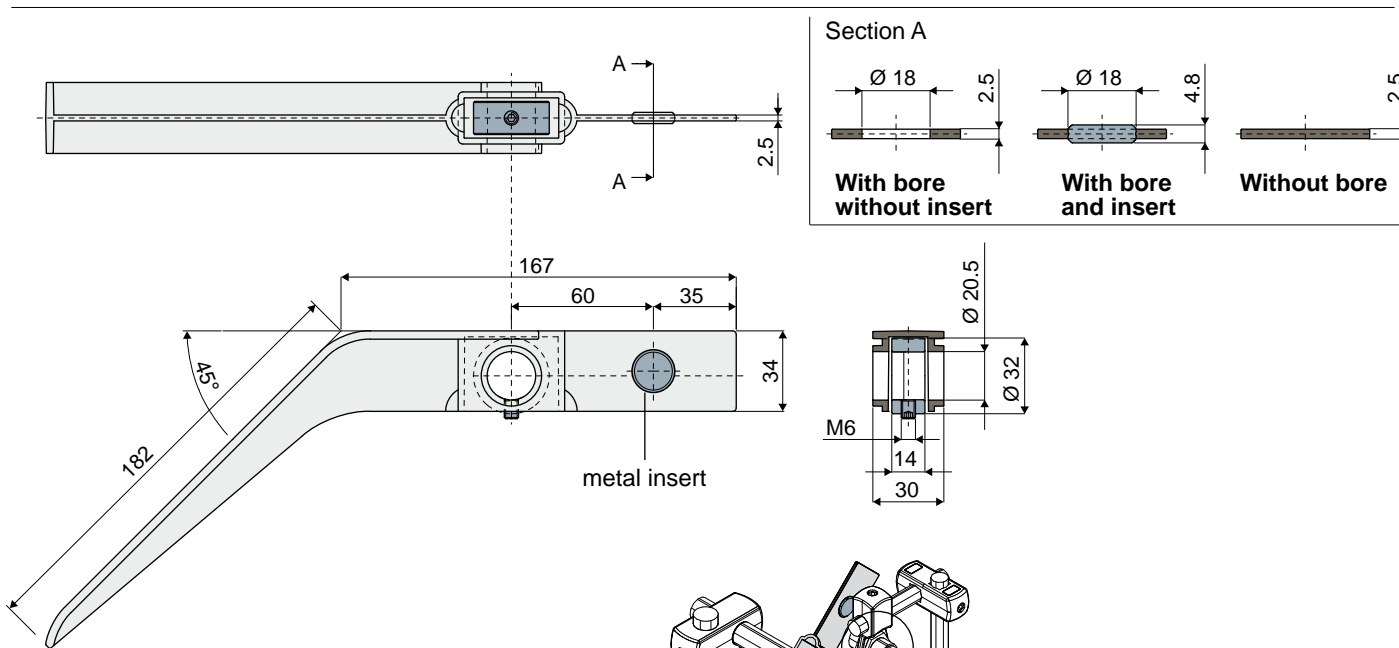
BOX QUANTITY: 24 pieces.

ON REQUEST:

- Hinges: In different colours.
- Box quantity: According to your request.

Process control

Scanning lever Part. 360



Stop ring in zinc plated steel		
Without bore	With bore without sensor insert	With bore and sensor insert
Code	Code	Code
360 / 83606	360 / 83607	360 / 83608

Stop ring in stainless steel AISI 304		
Without bore	With bore without sensor insert	With bore and sensor insert
Code	Code	Code
360 / 84091	360 / 85184	360 / 85185

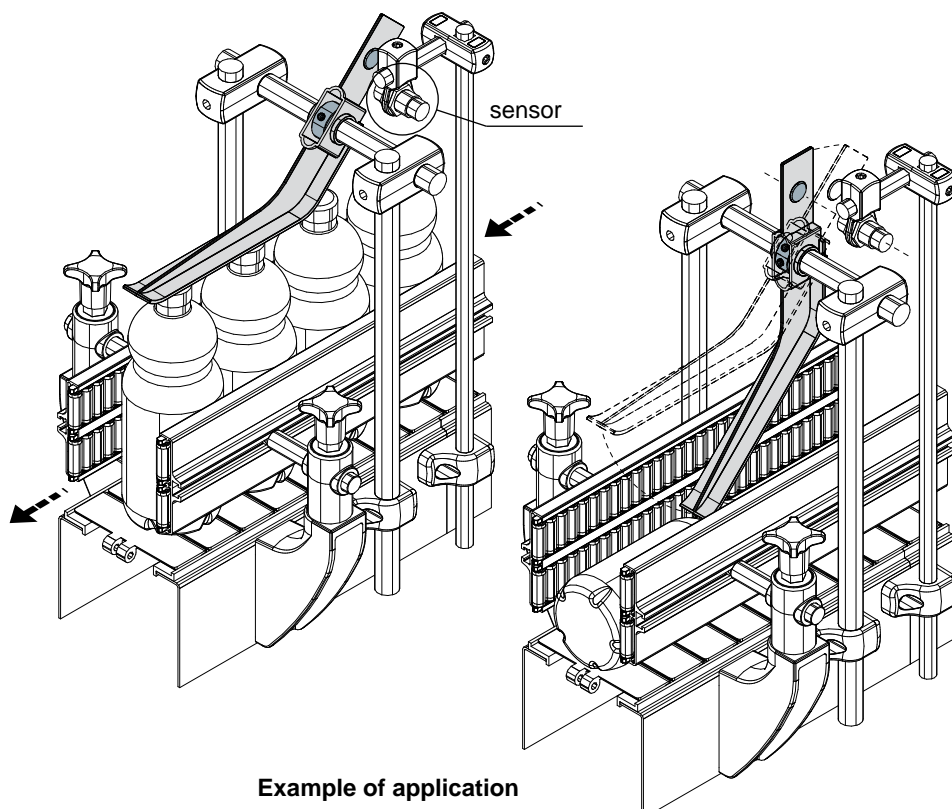
MATERIALS: Scanning lever in reinforced polyamide black colour; grain and collar in zinc plated steel or stainless steel AISI 304.

FEATURES: Supplied assembled. To be used in the surveying of the packaged products.

BOX QUANTITY: 24 pieces.

ON REQUEST:

- Scanning levers: Versions without stop ring; in different colours.
- Box quantity: According to your request.

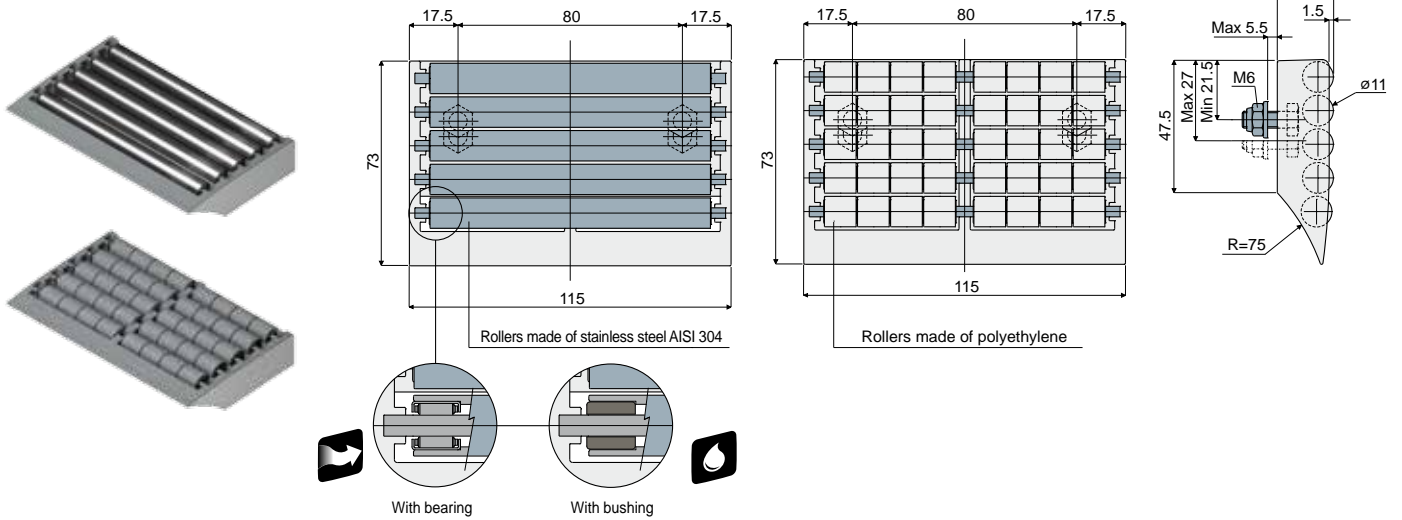


Example of application

Modular transfer plates

Part. 257

Modular transfer plates with lip (width 115 mm 5 rows of rollers)



Rollers made of stainless steel AISI 304		Rollers made of Polyethylene
With bearings	With bushings	
Code	Code	Code
257 / 85004	257 / 85802	257 / 82005

MATERIALS: Modular transfer plate with external module made of grey colour acetal; rollers made of grey colour polyethylene or stainless steel AISI 304; bearings made of chrome steel; bushings made of auto-lubricating polyamide; pins and fixing nuts made of stainless steel AISI 304.

FEATURES: To be assembled at the end of your conveyor to help the products transfer. Low friction coefficient, minimum noise level, extremely cleanable. The versions with rollers made in stainless steel, are available both with bearings made of chrome steel or with bushings made of auto-lubricating polyamide which are suitable for applications in contact with water.

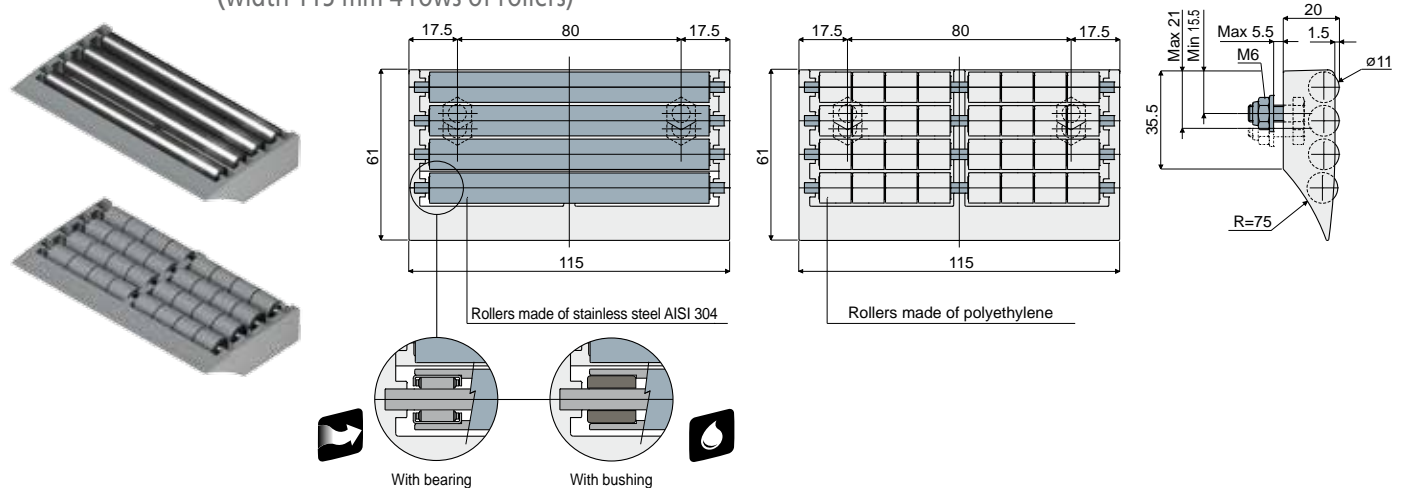
BOX QUANTITY: 8 pieces.

ON REQUEST:

- External module and rollers: In different colours.
- Box quantity: According to your request.

Part. 417

Modular transfer plates with lip (width 115 mm 4 rows of rollers)



Rollers made of stainless steel AISI 304		Rollers made of Polyethylene
With bearings	With bushings	
Code	Code	Code
417 / 85031	417 / 85803	417 / 84576

MATERIALS: Modular transfer plate with external module made of grey colour acetal; rollers made of grey colour polyethylene or stainless steel AISI 304; bearings made of chrome steel; bushings made of auto-lubricating polyamide; pins and fixing nuts made of stainless steel AISI 304.

FEATURES: To be assembled at the end of your conveyor to help the products transfer. Low friction coefficient, minimum noise level, extremely cleanable. The versions with rollers made in stainless steel, are available both with bearings made of chrome steel or with bushings made of auto-lubricating polyamide which are suitable for applications in contact with water.

BOX QUANTITY: 8 pieces.

ON REQUEST:

- External module and rollers: In different colours.
- Box quantity: According to your request.

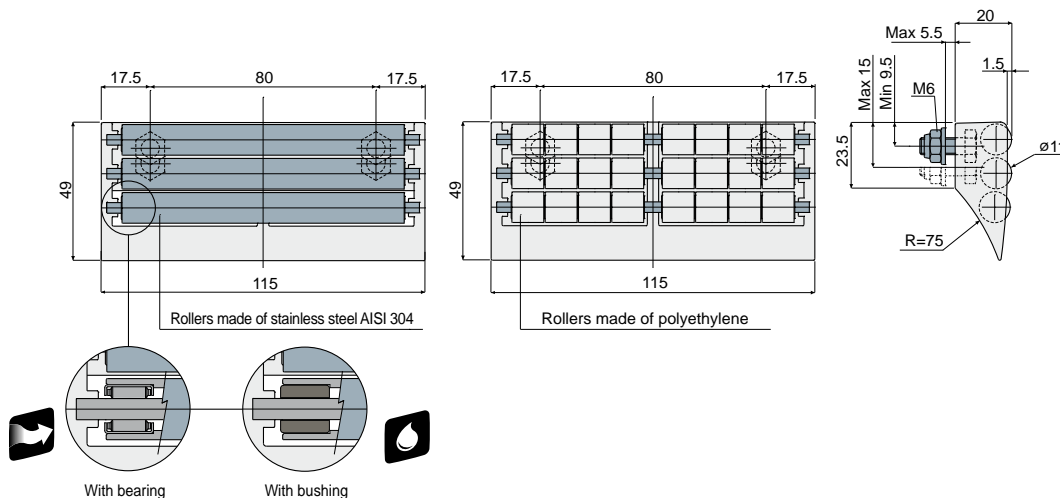
Suitable for applications which require maximum smoothness.

Suitable for applications in contact with water.

Modular transfer plates

Modular transfer plates with lip (width 115 mm 3 rows of rollers)

Part. **258**



Rollers made of stainless steel AISI 304		Rollers made of Polyethylene
With bearings	With bushings	
Code	Code	Code
258 / 85003	258 / 85804	258 / 82004

MATERIALS: Modular transfer plate with external module made of grey colour acetal; rollers made of grey colour polyethylene or stainless steel AISI 304; bearings made of chrome steel; bushings made of auto-lubricating polyamide; pins and fixing nuts made of stainless steel AISI 304.

FEATURES: To be assembled at the end of your conveyor to help the products transfer. Low friction coefficient, minimum noise level, extremely cleanable. The versions with rollers made in stainless steel, are available both with bearings made of chrome steel or with bushings made of auto-lubricating polyamide which are suitable for applications in contact with water.

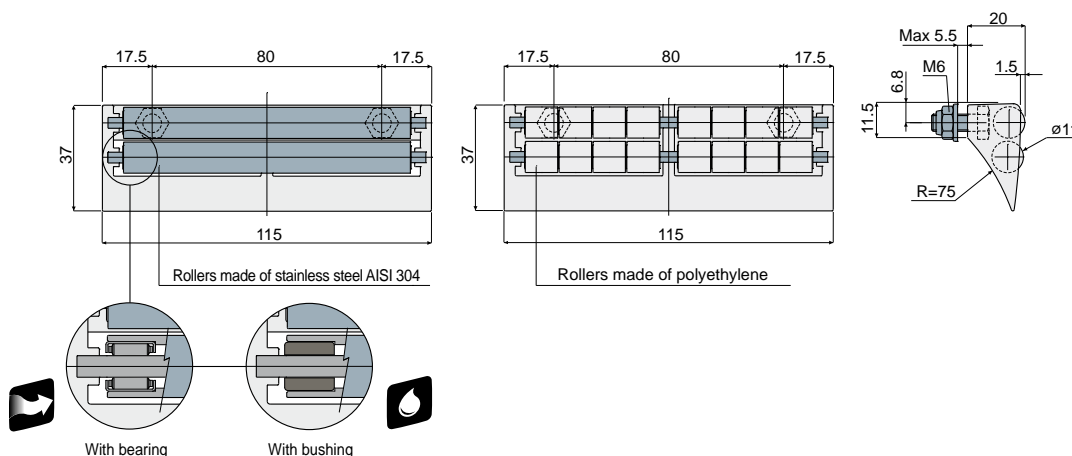
BOX QUANTITY: 8 pieces.

ON REQUEST:

- External module and rollers: In different colours.
- Box quantity: According to your request.

Modular transfer plates with lip (width 115 mm 2 rows of rollers)

Part. **259**



Rollers made of stainless steel AISI 304		Rollers made of Polyethylene
With bearings	With bushings	
Code	Code	Code
259 / 85002	259 / 85805	259 / 82003

MATERIALS: Modular transfer plate with external module made of grey colour acetal; rollers made of grey colour polyethylene or stainless steel AISI 304; bearings made of chrome steel; bushings made of auto-lubricating polyamide; pins and fixing nuts made of stainless steel AISI 304.

FEATURES: To be assembled at the end of your conveyor to help the products transfer. Low friction coefficient, minimum noise level, extremely cleanable. The versions with rollers made in stainless steel, are available both with bearings made of chrome steel or with bushings made of auto-lubricating polyamide which are suitable for applications in contact with water.

BOX QUANTITY: 8 pieces.

ON REQUEST:

- External module and rollers: In different colours.
- Box quantity: According to your request.



Suitable for applications which require maximum smoothness.

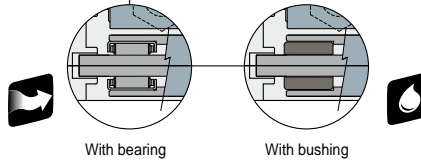
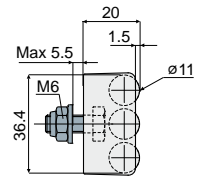
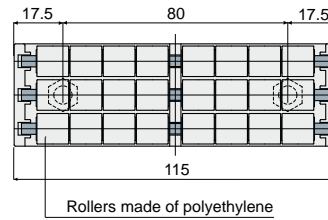
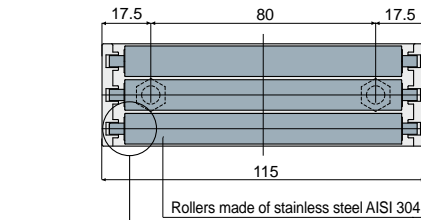


Suitable for applications in contact with water.

Modular transfer plates

Modular transfer plates without lip (width 115 mm 3 rows of rollers)

Part. 430



Rollers made of stainless steel AISI 304		Rollers made of Polyethylene
With bearings	With bushings	
Code	Code	Code
430 / 85080	430 / 85806	430 / 85084

MATERIALS: Modular transfer plate with external module made of grey colour acetal; rollers made of grey colour polyethylene or stainless steel AISI 304; bearings made of chrome steel; bushings made of auto-lubricating polyamide; pins and fixing nuts made of stainless steel AISI 304.

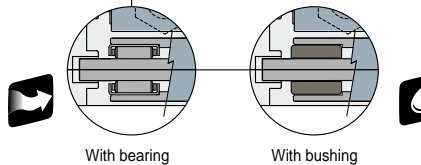
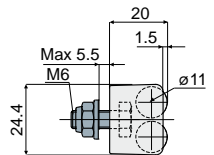
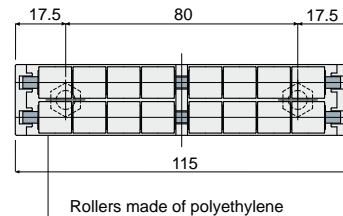
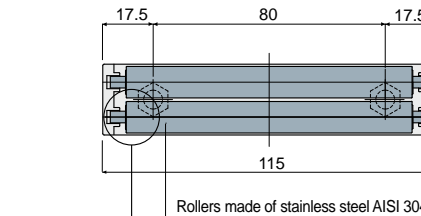
FEATURES: To be assembled at the end of your conveyor to help the products transfer. Low friction coefficient, minimum noise level, extremely cleanable. The versions with rollers made in stainless steel, are available both with bearings made of chrome steel or with bushings made of auto-lubricating polyamide which are suitable for applications in contact with water.

BOX QUANTITY: 8 pieces.

ON REQUEST:

- External module and rollers: In different colours.
- Box quantity: According to your request.

Part. 431 Modular transfer plates without lip (width 115 mm 2 rows of rollers)



Rollers made of stainless steel AISI 304		Rollers made of Polyethylene
With bearings	With bushings	
Code	Code	Code
431 / 85081	431 / 85807	431 / 85085

MATERIALS: Modular transfer plate with external module made of grey colour acetal; rollers made of grey colour polyethylene or stainless steel AISI 304; bearings made of chrome steel; bushings made of auto-lubricating polyamide; pins and fixing nuts made of stainless steel AISI 304.

FEATURES: To be assembled at the end of your conveyor to help the products transfer. Low friction coefficient, minimum noise level, extremely cleanable. The versions with rollers made in stainless steel, are available both with bearings made of chrome steel or with bushings made of auto-lubricating polyamide which are suitable for applications in contact with water.

BOX QUANTITY: 8 pieces.

ON REQUEST:

- External module and rollers: In different colours.
- Box quantity: According to your request.



Suitable for applications which require maximum smoothness.

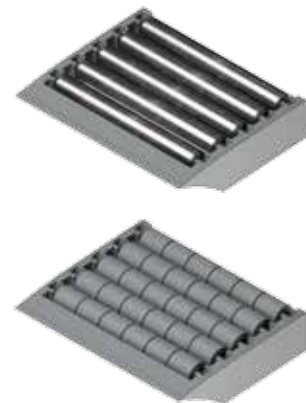
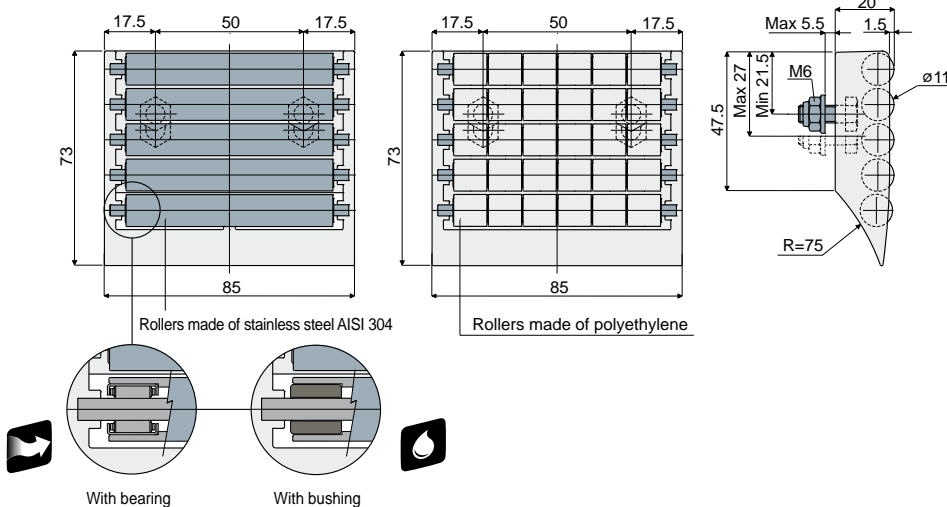


Suitable for applications in contact with water.

Modular transfer plates

Modular transfer plates with lip (width 85 mm 5 rows of rollers)

Part. **260**



Rollers made of stainless steel AISI 304		Rollers made of Polyethylene
With bearings	With bushings	
Code	Code	Code
260 / 85007	260 / 85808	260 / 82002

MATERIALS: Modular transfer plate with external module made of grey colour acetal; rollers made of grey colour polyethylene or stainless steel AISI 304; bearings made of chrome steel; bushings made of auto-lubricating polyamide; pins and fixing nuts made of stainless steel AISI 304.

FEATURES: To be assembled at the end of your conveyor to help the products transfer. Low friction coefficient, minimum noise level, extremely cleanable. The versions with rollers made in stainless steel, are available both with bearings made of chrome steel or with bushings made of auto-lubricating polyamide which are suitable for applications in contact with water.

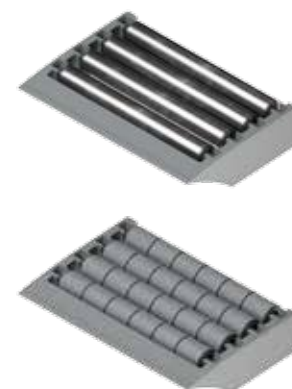
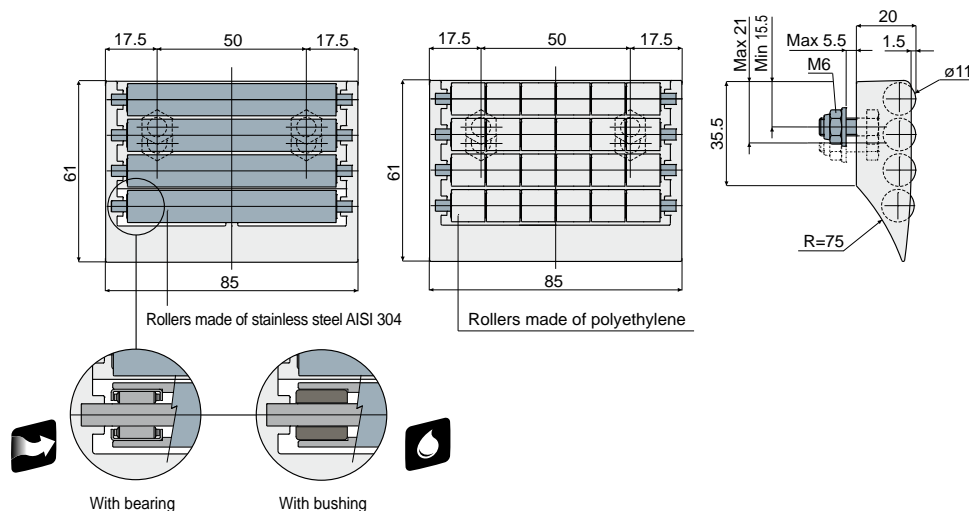
BOX QUANTITY: 8 pieces.

ON REQUEST:

- External module and rollers: In different colours.
- Box quantity: According to your request.

Modular transfer plates with lip (width 85 mm 4 rows of rollers)

Part. **416**



Rollers made of stainless steel AISI 304		Rollers made of Polyethylene
With bearings	With bushings	
Code	Code	Code
416 / 85032	416 / 85809	416 / 84575

MATERIALS: Modular transfer plate with external module made of grey colour acetal; rollers made of grey colour polyethylene or stainless steel AISI 304; bearings made of chrome steel; bushings made of auto-lubricating polyamide; pins and fixing nuts made of stainless steel AISI 304.

FEATURES: To be assembled at the end of your conveyor to help the products transfer. Low friction coefficient, minimum noise level, extremely cleanable. The versions with rollers made in stainless steel, are available both with bearings made of chrome steel or with bushings made of auto-lubricating polyamide which are suitable for applications in contact with water.

BOX QUANTITY: 8 pieces.

ON REQUEST:

- External module and rollers: In different colours.
- Box quantity: According to your request.



Suitable for applications which require maximum smoothness.

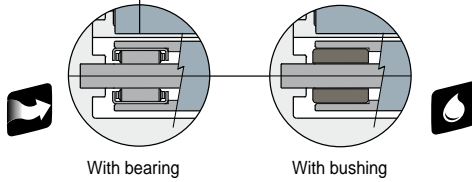
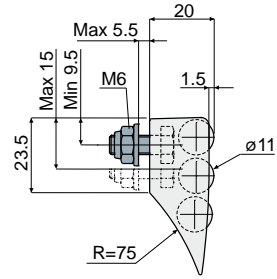
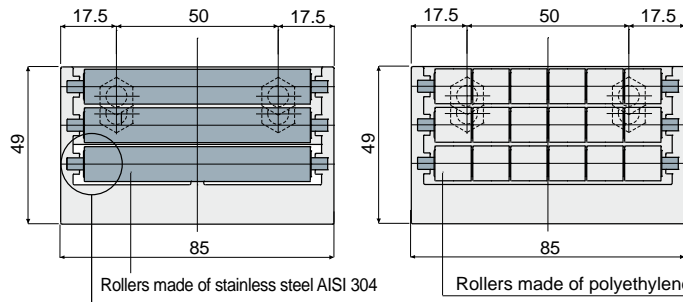


Suitable for applications in contact with water.

Modular transfer plates

Part. 261

Modular transfer plates with lip
(width 85 mm 3 rows of rollers)



Rollers made of stainless steel AISI 304	Rollers made of Polyethylene
With bearings	With bushings
Code	Code
261 / 85006	261 / 85810
	261 / 82001

MATERIALS: Modular transfer plate with external module made of grey colour acetal; rollers made of grey colour polyethylene or stainless steel AISI 304; bearings made of chrome steel; bushings made of auto-lubricating polyamide; pins and fixing nuts made of stainless steel AISI 304.

FEATURES: To be assembled at the end of your conveyor to help the products transfer. Low friction coefficient, minimum noise level, extremely cleanable. The versions with rollers made in stainless steel, are available both with bearings made of chrome steel or with bushings made of auto-lubricating polyamide which are suitable for applications in contact with water.

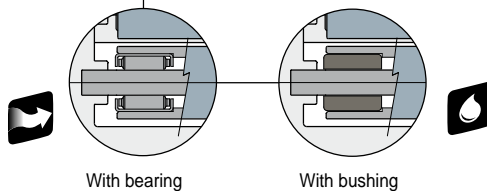
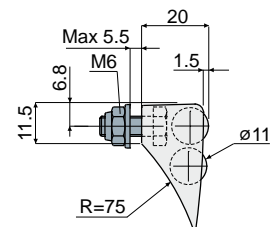
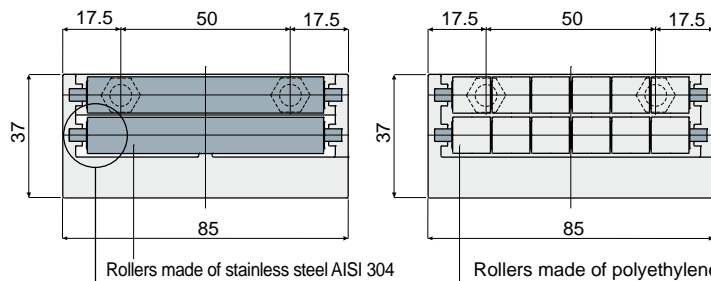
BOX QUANTITY: 8 pieces.

ON REQUEST:

- External module and rollers: In different colours.
- Box quantity: According to your request.

Part. 262

Modular transfer plates with lip
(width 85 mm 2 rows of rollers)



Rollers made of stainless steel AISI 304	Rollers made of Polyethylene
With bearings	With bushings
Code	Code
262 / 85005	262 / 85811
	262 / 82000

MATERIALS: Modular transfer plate with external module made of grey colour acetal; rollers made of grey colour polyethylene or stainless steel AISI 304; bearings made of chrome steel; bushings made of auto-lubricating polyamide; pins and fixing nuts made of stainless steel AISI 304.

FEATURES: To be assembled at the end of your conveyor to help the products transfer. Low friction coefficient, minimum noise level, extremely cleanable. The versions with rollers made in stainless steel, are available both with bearings made of chrome steel or with bushings made of auto-lubricating polyamide which are suitable for applications in contact with water.

BOX QUANTITY: 8 pieces.

ON REQUEST:

- External module and rollers: In different colours.
- Box quantity: According to your request.



Suitable for applications which require maximum smoothness.



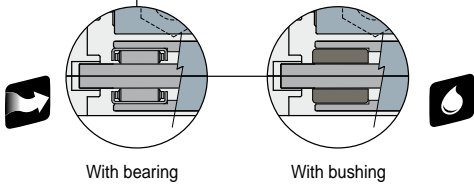
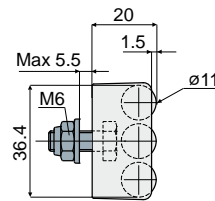
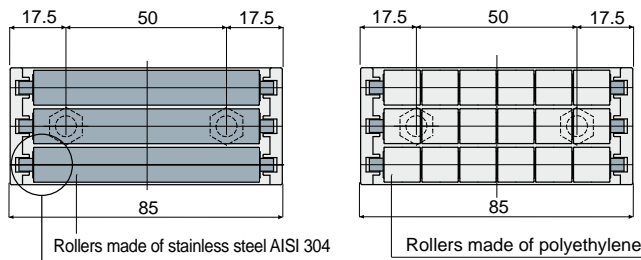
Suitable for applications in contact with water.

Modular transfer plates

Modular transfer plates without lip

(width 85 mm 3 rows of rollers)

Part. **432**



With bearing

With bushing

Rollers made of stainless steel AISI 304 With bearings	Rollers made of Polyethylene With bushings	Code
432 / 85082	432 / 85812	432 / 85086

MATERIALS: Modular transfer plate with external module made of grey colour acetal; rollers made of grey colour polyethylene or stainless steel AISI 304; bearings made of chrome steel; bushings made of auto-lubricating polyamide; pins and fixing nuts made of stainless steel AISI 304.

FEATURES: To be assembled at the end of your conveyor to help the products transfer. Low friction coefficient, minimum noise level, extremely cleanable. The versions with rollers made in stainless steel, are available both with bearings made of chrome steel or with bushings made of auto-lubricating polyamide which are suitable for applications in contact with water.

BOX QUANTITY: 8 pieces.

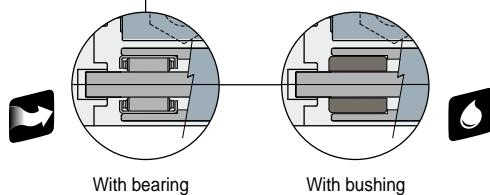
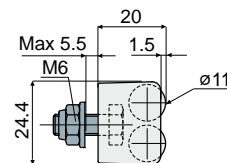
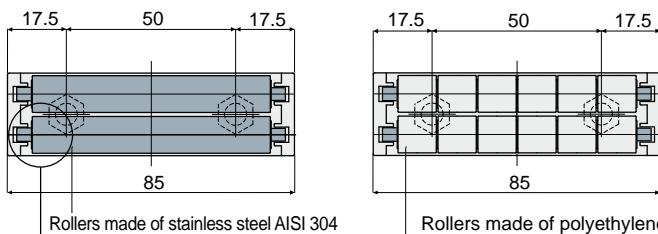
ON REQUEST:

- External module and rollers: In different colours.
- Box quantity: According to your request.

Modular transfer plates without lip

(width 85 mm 2 rows of rollers)

Part. **433**



With bearing

With bushing

Rollers made of stainless steel AISI 304 With bearings	Rollers made of Polyethylene With bushings	Code
433 / 85083	433 / 85813	433 / 85087

MATERIALS: Modular transfer plate with external module made of grey colour acetal; rollers made of grey colour polyethylene or stainless steel AISI 304; bearings made of chrome steel; bushings made of auto-lubricating polyamide; pins and fixing nuts made of stainless steel AISI 304.

FEATURES: To be assembled at the end of your conveyor to help the products transfer. Low friction coefficient, minimum noise level, extremely cleanable. The versions with rollers made in stainless steel, are available both with bearings made of chrome steel or with bushings made of auto-lubricating polyamide which are suitable for applications in contact with water.

BOX QUANTITY: 8 pieces.

ON REQUEST:

- External module and rollers: In different colours.
- Box quantity: According to your request.



Suitable for applications which require maximum smoothness.

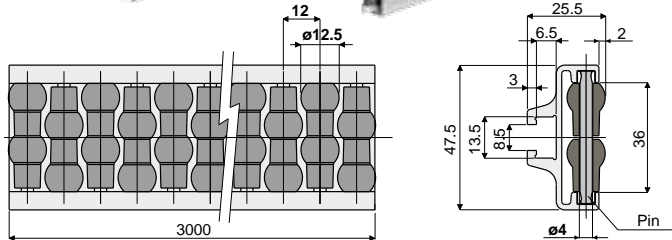
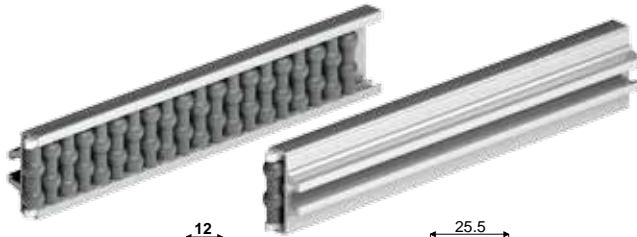


Suitable for applications in contact with water.

Product guides and accessories

Part. 306

Roller side guide with pearls
(single type, pitch of the rollers: 12 mm.)



Pins made of acetal	Pins made of stainless steel AISI 304
Code	Code
306 / 82809	306 / 84548

MATERIALS: Metal profile in anodized aluminium; rollers in grey polyethylene; support pins in white acetal or in stainless steel AISI 304.

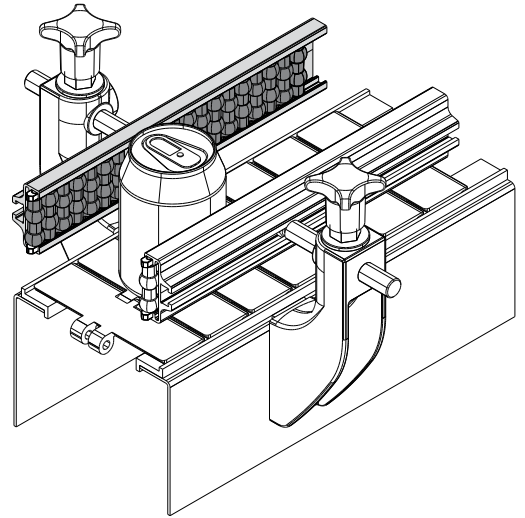
FEATURES: Supplied already assembled, in bars of 3 meters length.
Min. curvature radius: 250 mm.

BOX QUANTITY: 2 bars of 3 meters (total 6 meters).

ON REQUEST:

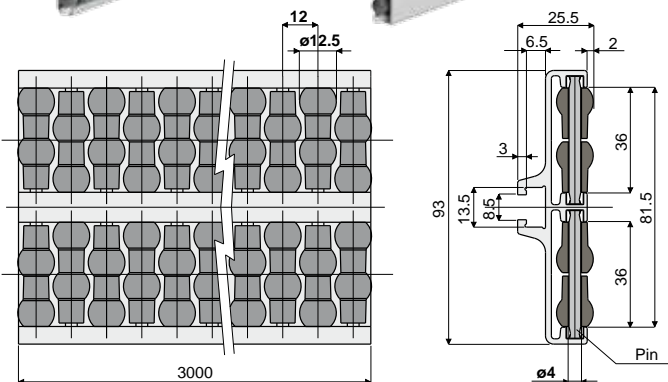
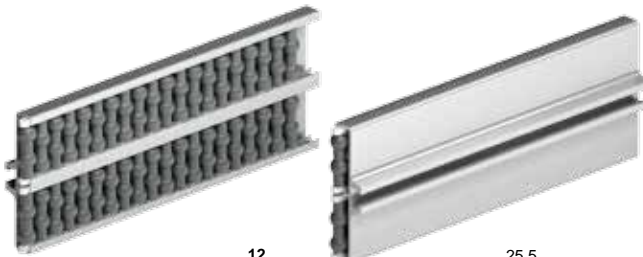
- Roller side guide: In different colours.

Example of application



Part. 307

Roller side guide with pearls
(double type, pitch of the rollers: 12 mm.)



Pins made of acetal	Pins made of stainless steel AISI 304
Code	Code
307 / 82810	307 / 84549

MATERIALS: Metal profile in anodized aluminium; rollers in grey polyethylene; support pins in white acetal or in stainless steel AISI 304.

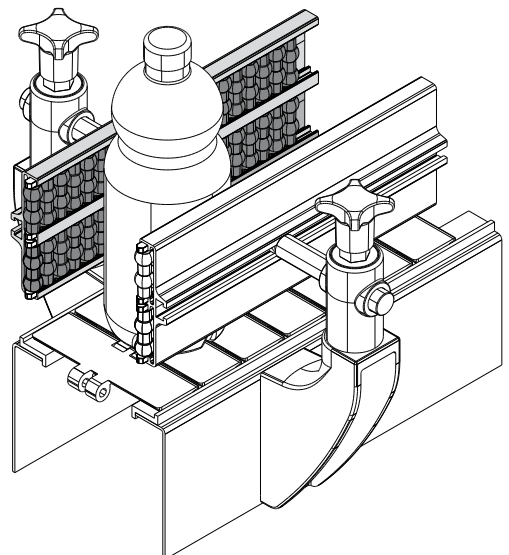
FEATURES: Supplied already assembled, in bars of 3 meters length.
Min. curvature radius: 500 mm.

BOX QUANTITY: 2 bars of 3 meters (total 6 meters).

ON REQUEST:

- Roller side guide: In different colours.

Example of application



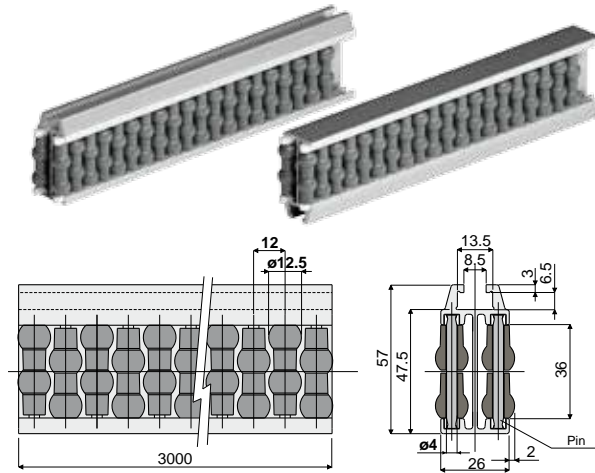
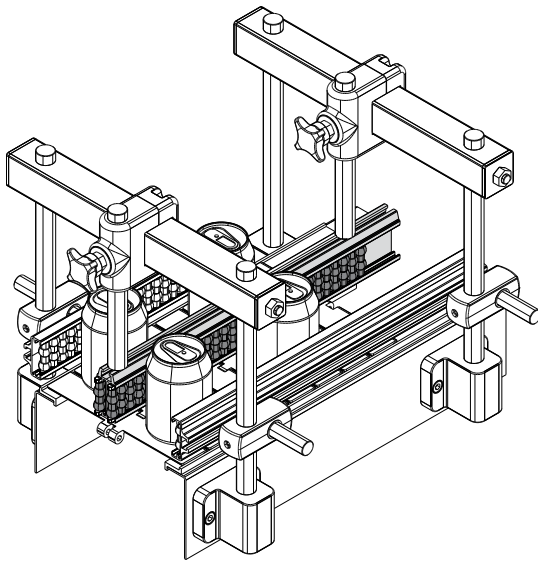
Suitable for applications which require maximum robustness.

Product guides and accessories

Roller central guide with pearls (single type, pitch of the rollers: 12 mm.)

Part. **308**

Example of application



Pins made of acetal	Pins made of stainless steel AISI 304
Code	Code
308 / 82811	308 / 84550

MATERIALS: Metal profile in anodized aluminium; rollers in grey polyethylene; support pins in white acetal or in stainless steel AISI 304.

FEATURES: Supplied already assembled, in bars of 3 meters length. Min. curvature radius: 500 mm.

BOX QUANTITY: 2 bars of 3 meters (total 6 meters).

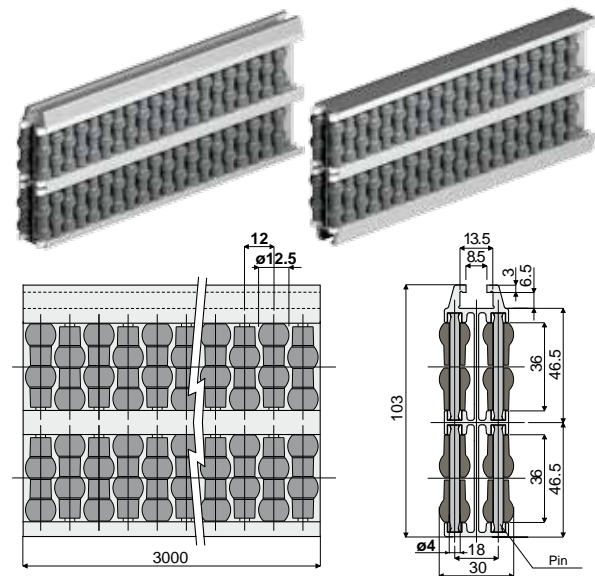
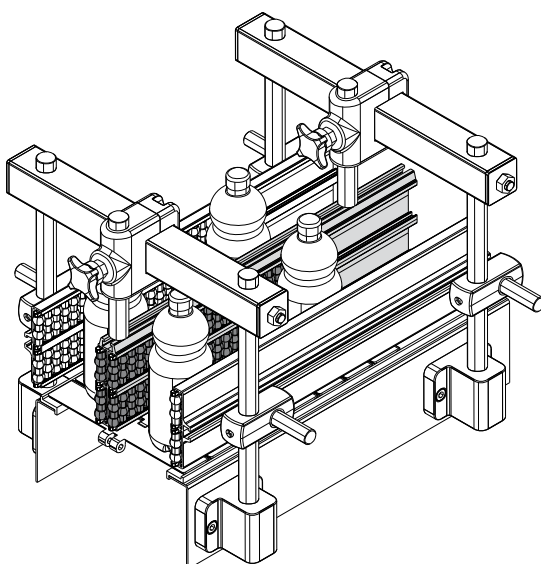
ON REQUEST:

- Roller central guide: In different colours.

Roller central guide with pearls (double type, pitch of the rollers: 12 mm.)

Part. **319**

Example of application



Pins made of acetal	Pins made of stainless steel AISI 304
Code	Code
319 / 82916	319 / 84551

MATERIALS: Metal profile in anodized aluminium; rollers in grey polyethylene; support pins in white acetal or in stainless steel AISI 304.

FEATURES: Supplied already assembled, in bars of 3 meters length. Min. curvature radius: 750 mm.

BOX QUANTITY: 2 bars of 3 meters (total 6 meters).

ON REQUEST:

- Roller central guide: In different colours.

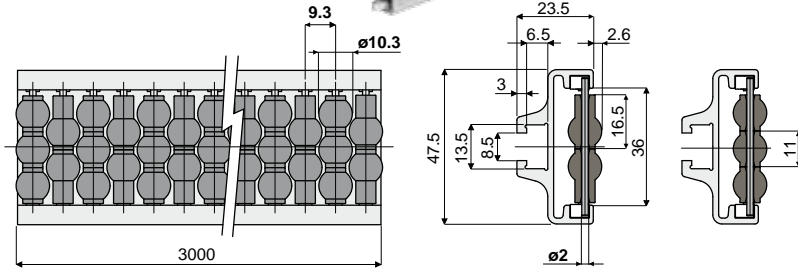
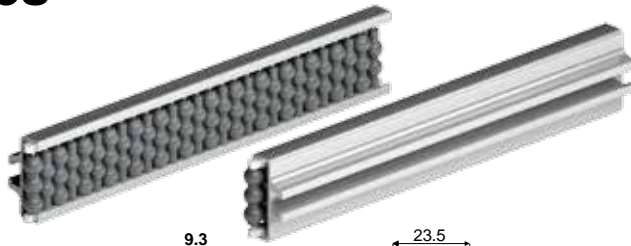


Suitable for applications which require maximum robustness.

Product guides and accessories

Part. 468

Roller side guide with pearls
(single type, pitch of the rollers: 9.3 mm.)



Code

468 / 85585

MATERIALS: Metal profile in anodized aluminium; rollers in grey polyethylene; support pins in stainless steel AISI 304.

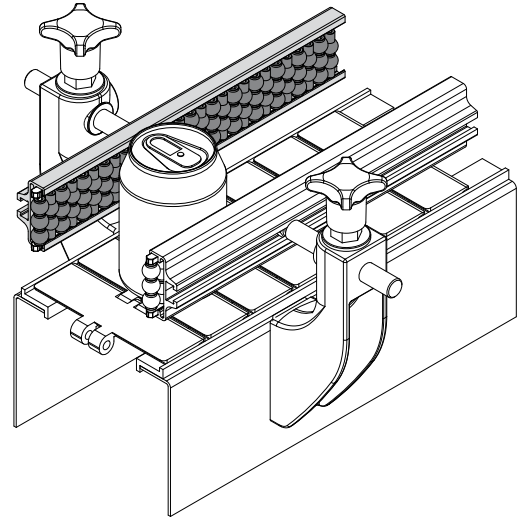
FEATURES: The reduced pitch of the rollers guarantees the maximum smoothness of the product. Supplied already assembled, in bars of 3 meters length. Min. curvature radius: 250 mm.

BOX QUANTITY: 2 bars of 3 meters (total 6 meters).

ON REQUEST:

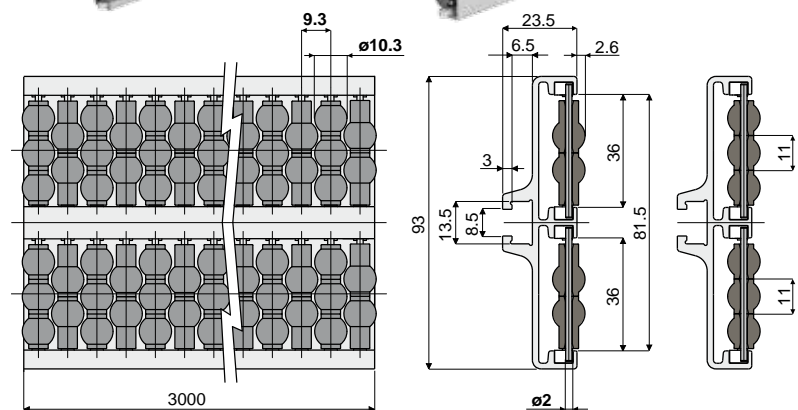
- Roller side guide: In different colours.

Example of application



Part. 474

Roller side guide with pearls
(double type, pitch of the rollers: 9.3 mm.)



Code

474 / 85978

MATERIALS: Metal profile in anodized aluminium; rollers in grey polyethylene; support pins in stainless steel AISI 304.

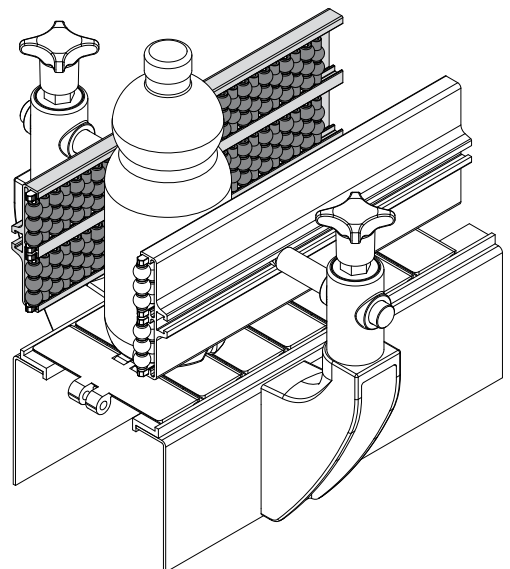
FEATURES: The reduced pitch of the rollers guarantees the maximum smoothness of the product. Supplied already assembled, in bars of 3 meters length. Min. curvature radius: 500 mm.

BOX QUANTITY: 2 bars of 3 meters (total 6 meters).

ON REQUEST:

- Roller side guide: In different colours.

Example of application



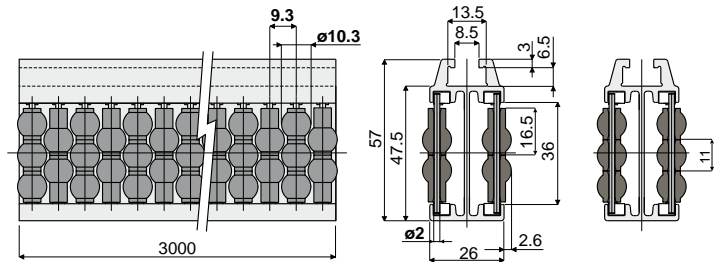
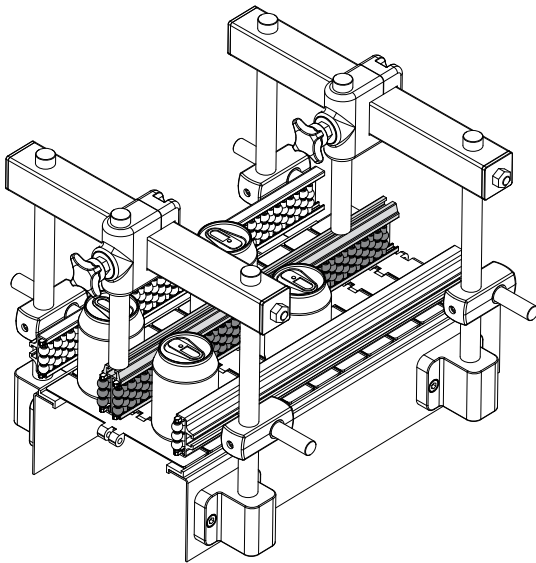
Suitable for applications which require maximum smoothness.

Product guides and accessories

Roller central guide with pearls (single type, pitch of the rollers: 9.3 mm.)

Part. **475**

Example of application



Code
475 / 85979

MATERIALS: Metal profile in anodized aluminium; rollers in grey polyethylene; support pins in stainless steel AISI 304.

FEATURES: The reduced pitch of the rollers guarantees the maximum smoothness of the product. Supplied already assembled, in bars of 3 meters length. Min. curvature radius: 500 mm.

BOX QUANTITY: 2 bars of 3 meters (total 6 meters).

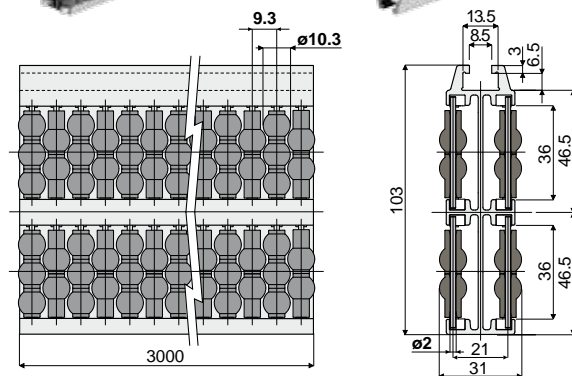
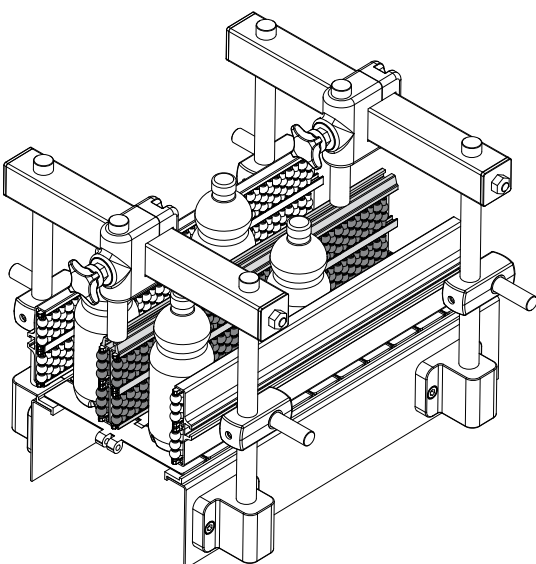
ON REQUEST:

- Roller central guide: In different colours.

Roller central guide with pearls (double type, pitch of the rollers: 9.3 mm.)

Part. **476**

Example of application



Code
476 / 85980

MATERIALS: Metal profile in anodized aluminium; rollers in grey polyethylene; support pins in stainless steel AISI 304.

FEATURES: The reduced pitch of the rollers guarantees the maximum smoothness of the product. Supplied already assembled, in bars of 3 meters length. Min. curvature radius: 750 mm.

BOX QUANTITY: 2 bars of 3 meters (total 6 meters).

ON REQUEST:

- Roller central guide: In different colours.

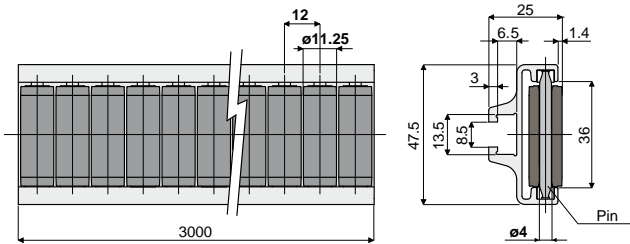


Suitable for applications which require maximum smoothness.

Product guides and accessories

Part. 325

Roller side guide with cylinders
(single type, pitch of the rollers: 12 mm.)



Pins made of acetal	Pins made of stainless steel AISI 304
Code	Code
325 / 83003	325 / 84552

MATERIALS: Metal profile in anodized aluminium; rollers in grey polyethylene; support pins in white acetal or in stainless steel AISI 304.

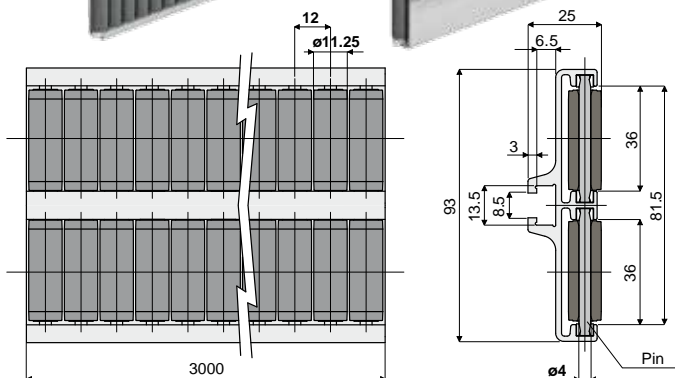
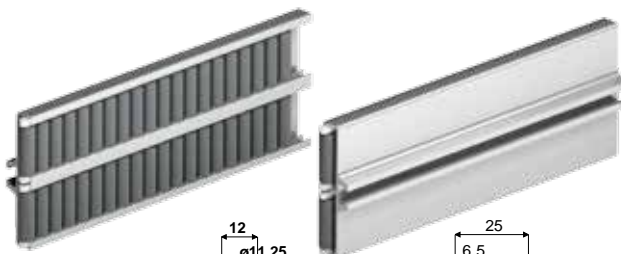
FEATURES: Supplied already assembled, in bars of 3 meters length.
Min. curvature radius: 250 mm.

BOX QUANTITY: 2 bars of 3 meters (total 6 meters).

ON REQUEST:

- Roller side guide: In different colours.

Part. 326 **Roller side guide with cylinders** (double type, pitch of the rollers: 12 mm.)



Pins made of acetal	Pins made of stainless steel AISI 304
Code	Code
326 / 83004	326 / 84553

MATERIALS: Metal profile in anodized aluminium; rollers in grey polyethylene; support pins in white acetal or in stainless steel AISI 304.

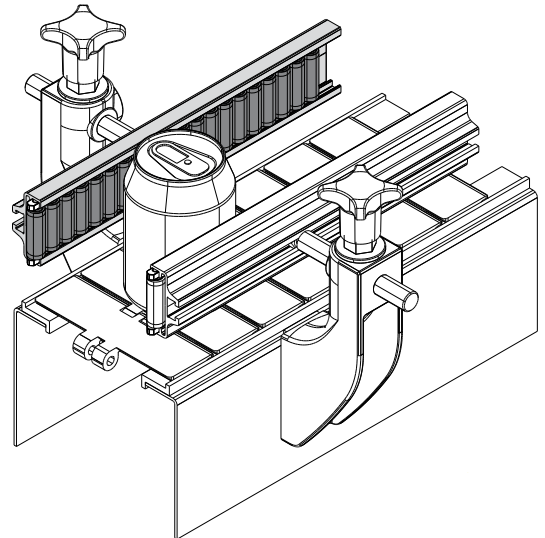
FEATURES: Supplied already assembled, in bars of 3 meters length.
Min. curvature radius: 500 mm.

BOX QUANTITY: 2 bars of 3 meters (total 6 meters).

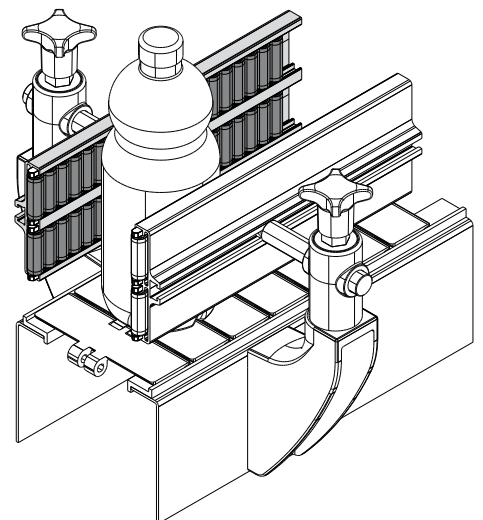
ON REQUEST:

- Roller side guide: In different colours.

Example of application



Example of application



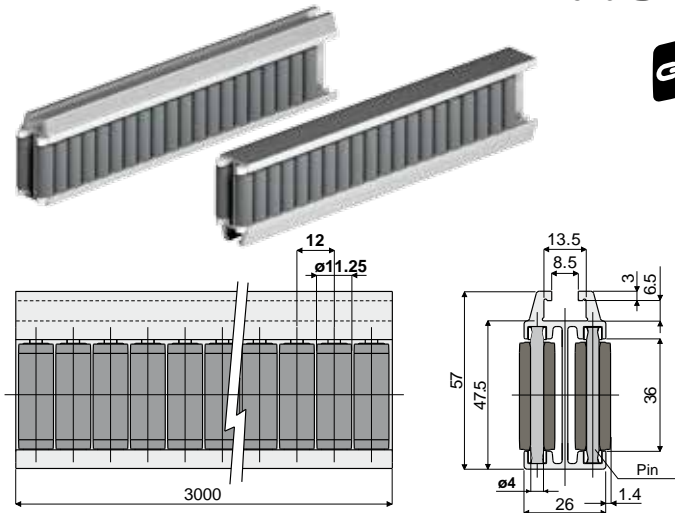
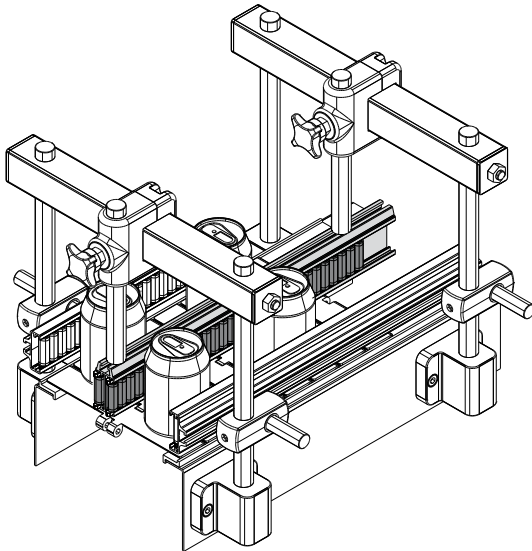
Suitable for applications which require maximum robustness.

Product guides and accessories

Roller central guide with cylinders (single type, pitch of the rollers: 12 mm.)

Part. **327**

Example of application



Pins made of acetal	Pins made of stainless steel AISI 304
Code	Code
327 / 83005	327 / 84555

MATERIALS: Metal profile in anodized aluminium; rollers in grey polyethylene; support pins in white acetal or in stainless steel AISI 304.

FEATURES: Supplied already assembled, in bars of 3 meters length.

Min. curvature radius: 500 mm.

BOX QUANTITY: 2 bars of 3 meters (total 6 meters).

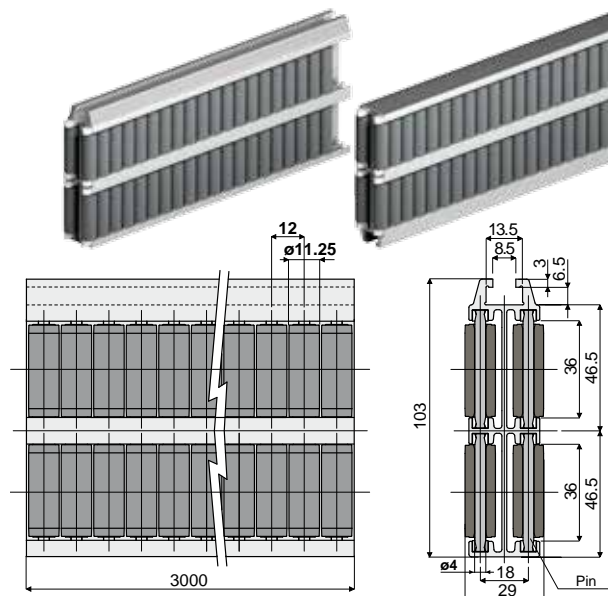
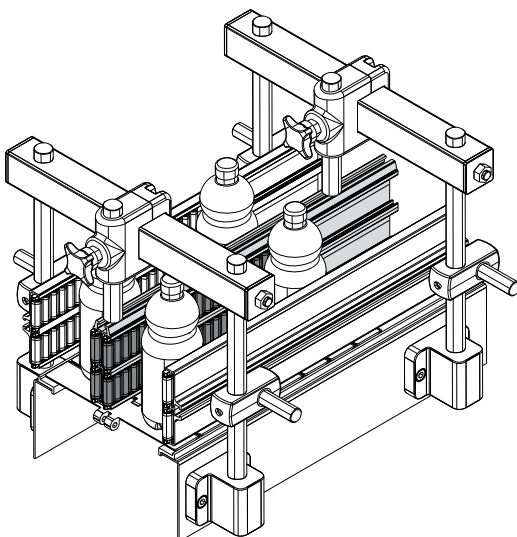
ON REQUEST:

- Roller central guide: In different colours.

Roller central guide with cylinders (double type, pitch of the rollers: 12 mm.)

Part. **328**

Example of application



Pins made of acetal	Pins made of stainless steel AISI 304
Code	Code
328 / 83006	328 / 84556

MATERIALS: Metal profile in anodized aluminium; rollers in grey polyethylene; support pins in white acetal or in stainless steel AISI 304.

FEATURES: Supplied already assembled, in bars of 3 meters length.

Min. curvature radius: 750 mm.

BOX QUANTITY: 2 bars of 3 meters (total 6 meters).

ON REQUEST:

- Roller central guide: In different colours.

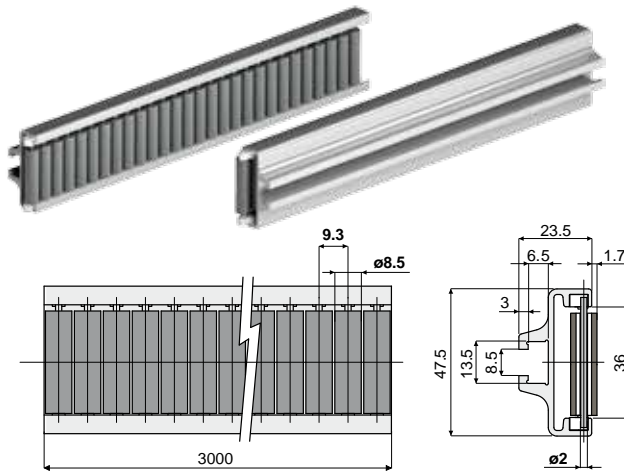


Suitable for applications which require maximum robustness.

Product guides and accessories

Part. 467

Roller side guide with rubberised cylinders
(single type, pitch of the rollers: 9.3 mm.)



Code

467 / 85584

MATERIALS: Metal profile in anodized aluminium; rollers in polyethylene and grey colour rubber; support pins in stainless steel AISI 304.

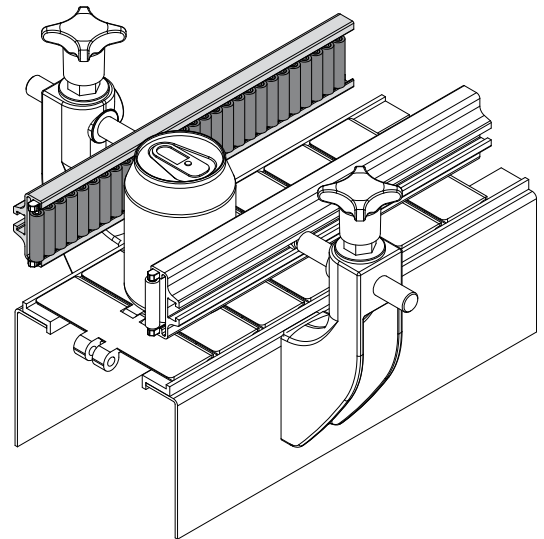
FEATURES: The rubberised surface of the rollers guarantees a lower noise level. Supplied already assembled, in bars of 3 meters length. Min. curvature radius: 250 mm.

BOX QUANTITY: 2 bars of 3 meters (total 6 meters).

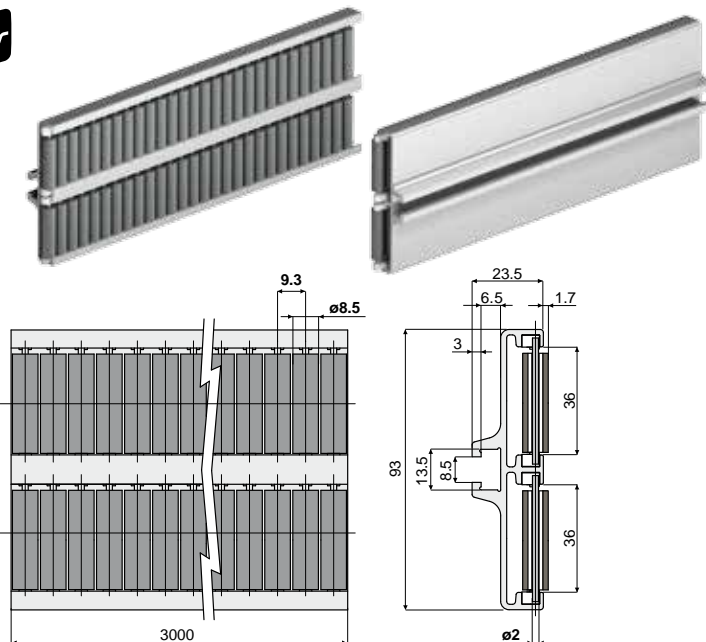
ON REQUEST:

- Roller side guide: In different colours.

Example of application



Part. 477 Roller side guide with rubberised cylinders (double type, pitch of the rollers: 9.3 mm.)



Code

477 / 85981

MATERIALS: Metal profile in anodized aluminium; rollers in polyethylene and grey colour rubber; support pins in stainless steel AISI 304.

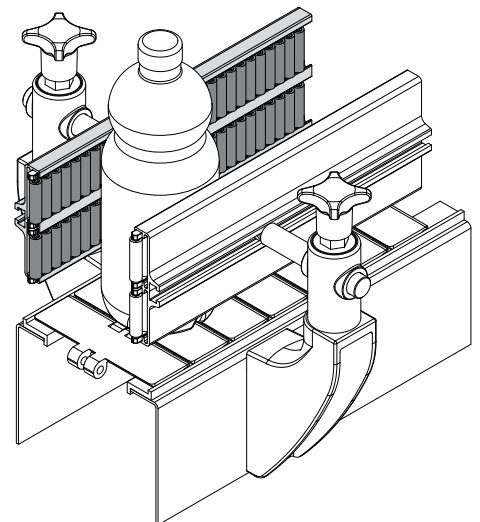
FEATURES: The rubberised surface of the rollers guarantees a lower noise level. Supplied already assembled, in bars of 3 meters length. Min. curvature radius: 500 mm.

BOX QUANTITY: 2 bars of 3 meters (total 6 meters).

ON REQUEST:

- Roller side guide: In different colours.

Example of application



Suitable for applications which require low noise levels.

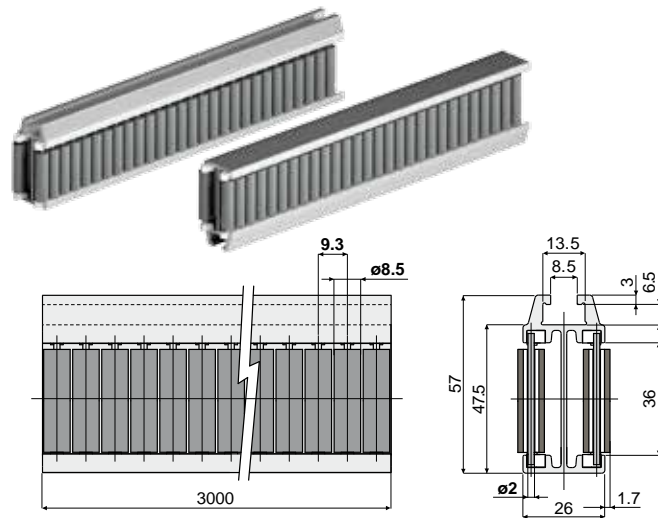
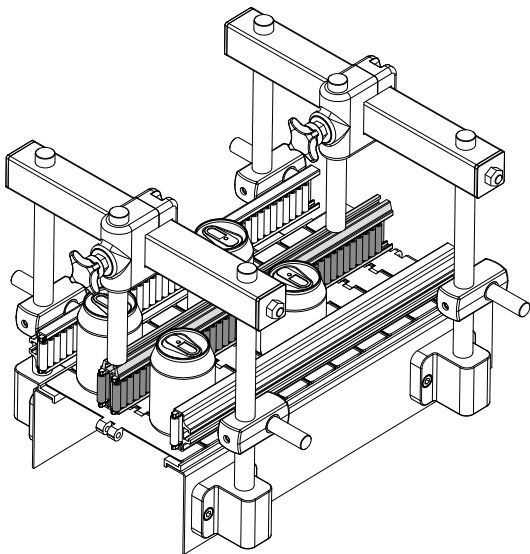
Product guides and accessories

Roller central guide with rubberised cylinders (single type, pitch of the rollers: 9.3 mm.)

Part. **478**



Example of application



Code

478 / 85982

MATERIALS: Metal profile in anodized aluminium; rollers in polyethylene and grey colour rubber; support pins in stainless steel AISI 304.

FEATURES: The rubberised surface of the rollers guarantees a lower noise level. Supplied already assembled, in bars of 3 meters length. Min. curvature radius: 500 mm.

BOX QUANTITY: 2 bars of 3 meters (total 6 meters).

ON REQUEST:

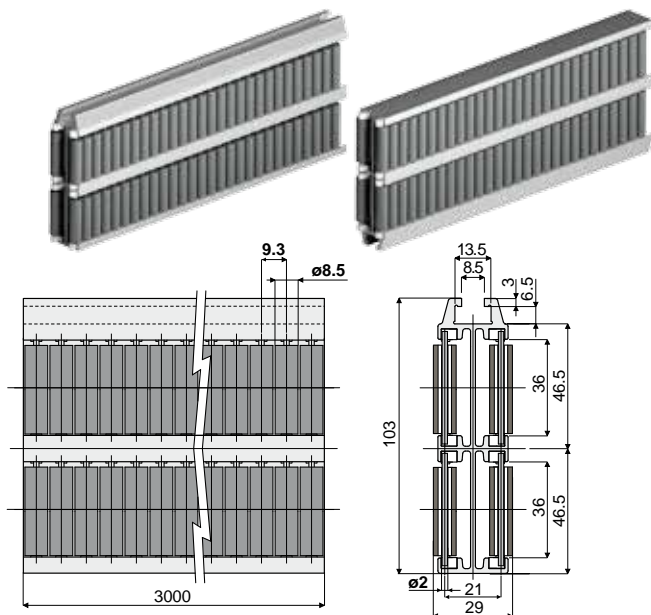
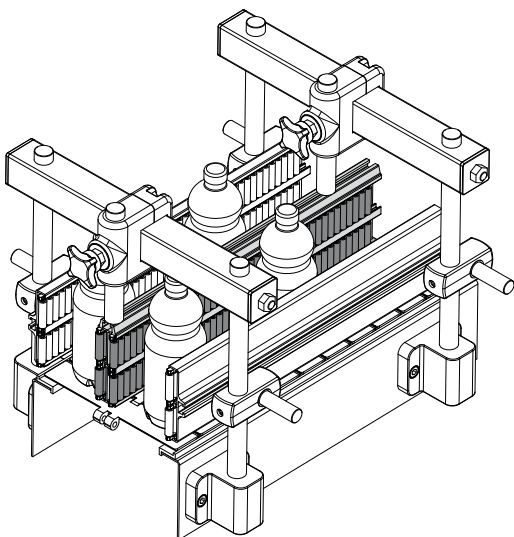
- Roller central guide: In different colours.

Roller central guide with rubberised cylinders (double type, pitch of the rollers: 9.3 mm.)

Part. **479**



Example of application



Code

479 / 85983

MATERIALS: Metal profile in anodized aluminium; rollers in polyethylene and grey colour rubber; support pins in stainless steel AISI 304.

FEATURES: The rubberised surface of the rollers guarantees a lower noise level. Supplied already assembled, in bars of 3 meters length. Min. curvature radius: 750 mm.

BOX QUANTITY: 2 bars of 3 meters (total 6 meters).

ON REQUEST:

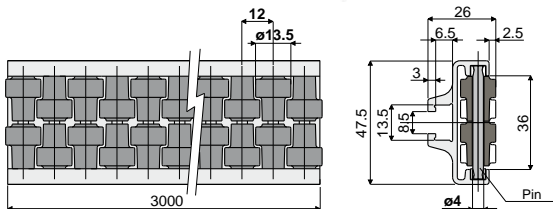
- Roller central guide: In different colours.



Suitable for applications which require low noise levels.

Product guides and accessories

Part. 355 Roller side guide with round rollers (single type, pitch of the rollers: 12 mm.)



Pins made of acetal	Pins made of stainless steel AISI 304
Code	Code
355 / 83473	355 / 84557

MATERIALS: Metal profile in anodized aluminium; rollers in grey polyethylene; support pins in white acetal or in stainless steel AISI 304.

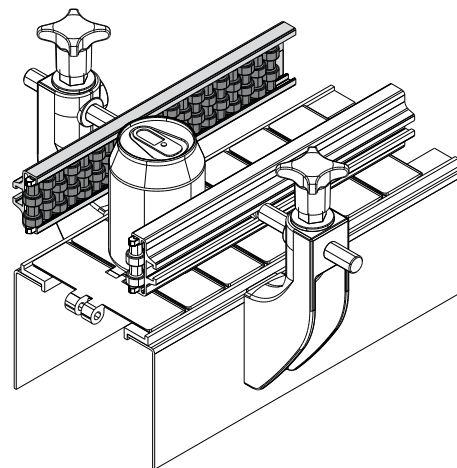
FEATURES: Supplied already assembled, in bars of 3 meters length. Min. curvature radius: 250 mm.

BOX QUANTITY: 2 bars of 3 meters (total 6 meters).

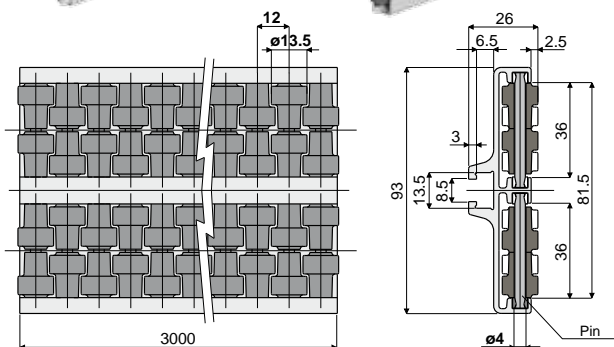
ON REQUEST:

- Roller side guide: In different colours.

Example of application



Part. 356 Roller side guide with round rollers (double type, pitch of the rollers: 12 mm.)



Pins made of acetal	Pins made of stainless steel AISI 304
Code	Code
356 / 83474	356 / 84558

MATERIALS: Metal profile in anodized aluminium; rollers in grey polyethylene; support pins in white acetal or in stainless steel AISI 304.

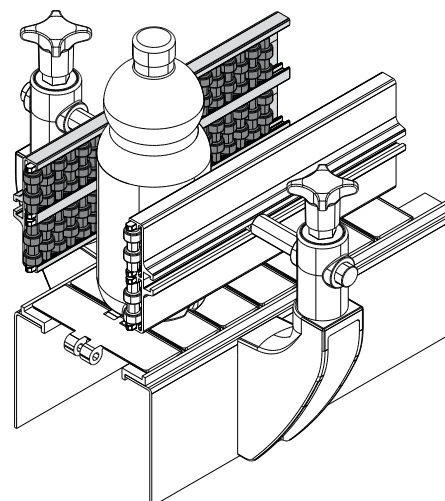
FEATURES: Supplied already assembled, in bars of 3 meters length. Min. curvature radius: 500 mm.

BOX QUANTITY: 2 bars of 3 meters (total 6 meters).

ON REQUEST:

- Roller side guide: In different colours.

Example of application



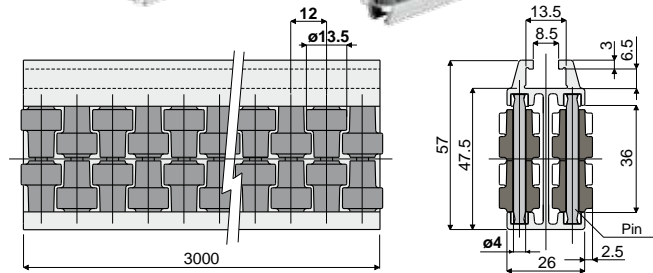
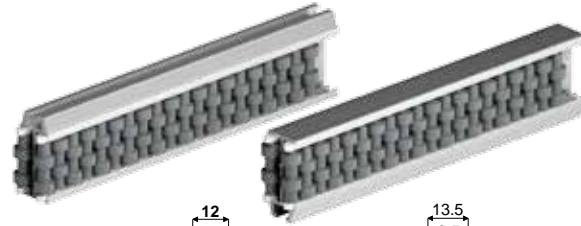
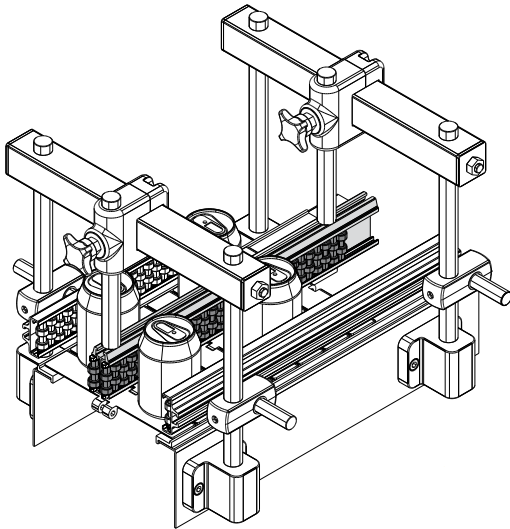
Suitable for applications which require maximum robustness.

Product guides and accessories

Roller central guide with round rollers (single type, pitch of the rollers: 12 mm.)

Part. **357**

Example of application



Pins made of acetal	Pins made of stainless steel AISI 304
Code	Code
357 / 83475	357 / 84559

MATERIALS: Metal profile in anodized aluminium; rollers in grey polyethylene; support pins in white acetal or in stainless steel AISI 304.

FEATURES: Supplied already assembled, in bars of 3 meters length.
Min. curvature radius: 500 mm.

BOX QUANTITY: 2 bars of 3 meters (total 6 meters).

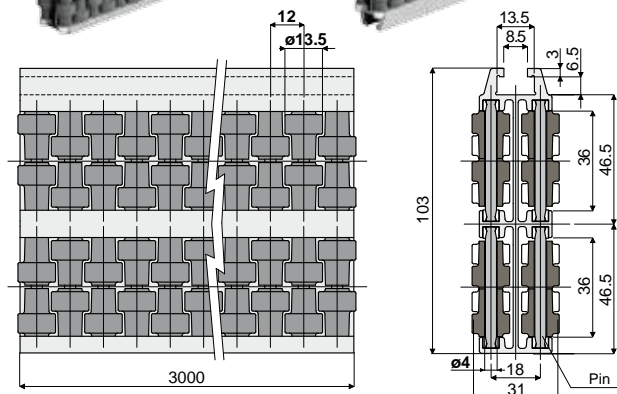
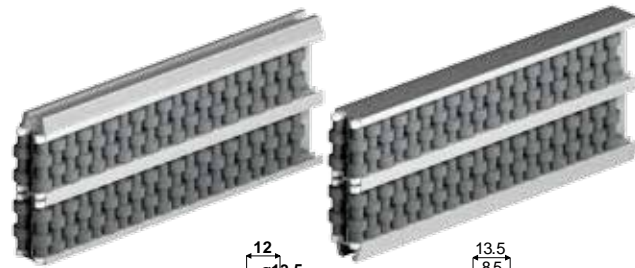
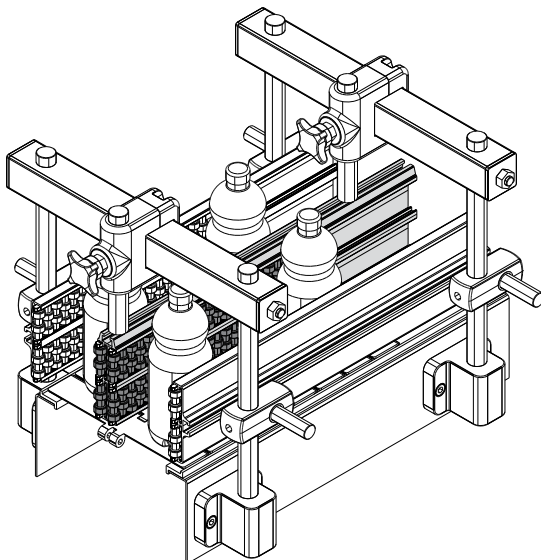
ON REQUEST:

- Roller central guide: In different colours.

Roller central guide with round rollers (double type, pitch of the rollers: 12 mm.)

Part. **358**

Example of application



Pins made of acetal	Pins made of stainless steel AISI 304
Code	Code
358 / 83476	358 / 84560

MATERIALS: Metal profile in anodized aluminium; rollers in grey polyethylene; support pins in white acetal or in stainless steel AISI 304.

FEATURES: Supplied already assembled, in bars of 3 meters length.
Min. curvature radius: 750 mm.

BOX QUANTITY: 2 bars of 3 meters (total 6 meters).

ON REQUEST:

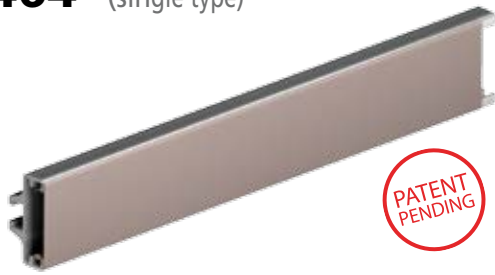
- Roller central guide: In different colours.



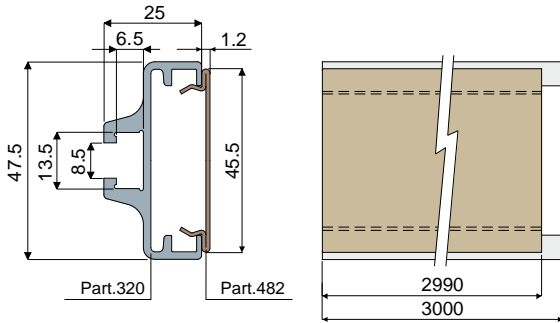
Suitable for applications which require maximum robustness.

Product guides and accessories

Part. 464 Side guide (single type)



PATENT PENDING



Code

464 / 85561

MATERIALS: Metal profile in anodized aluminium; guide profile in stainless steel AISI 304 covered with peek.

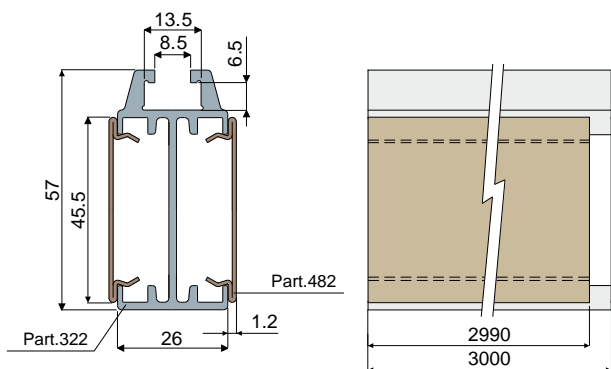
FEATURES: Suitable for use with bundles covered with shrink-wrapped polyethylene film. The coating with peek guarantees maximum smoothness of the product. Suitable for high temperatures applications. Peek covering thickness: min. 40 µ, max 50 µ. Supplied already assembled, in bars of 3 meters length.

BOX QUANTITY: 2 bars of 3 meters (total 6 meters).

Part. 480 Central guide (single type)



PATENT PENDING



Code

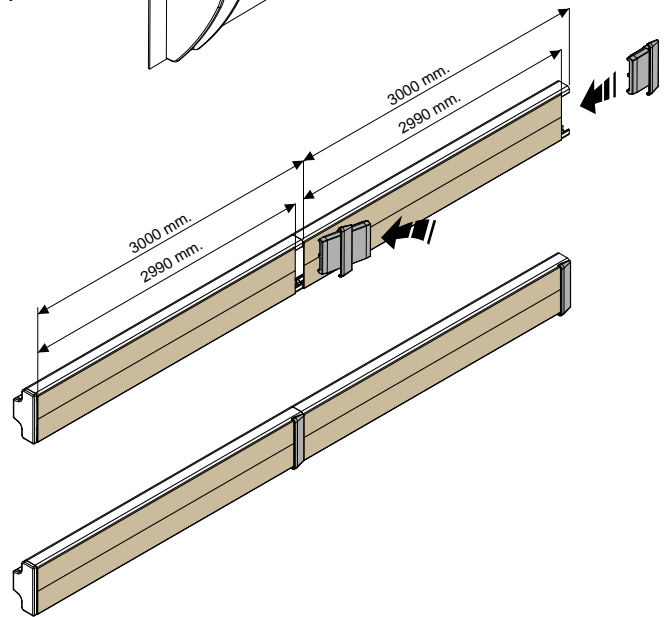
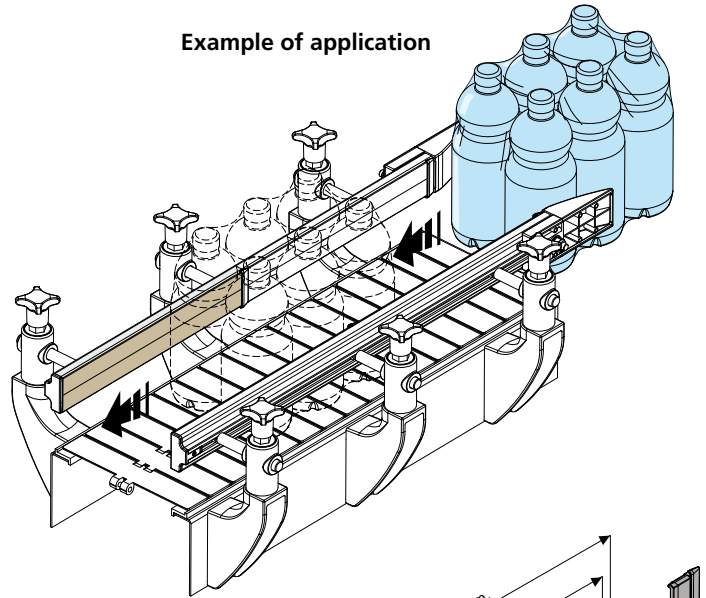
480 / 86696

MATERIALS: Metal profile in anodized aluminium; guide profile in stainless steel AISI 304 covered with peek.

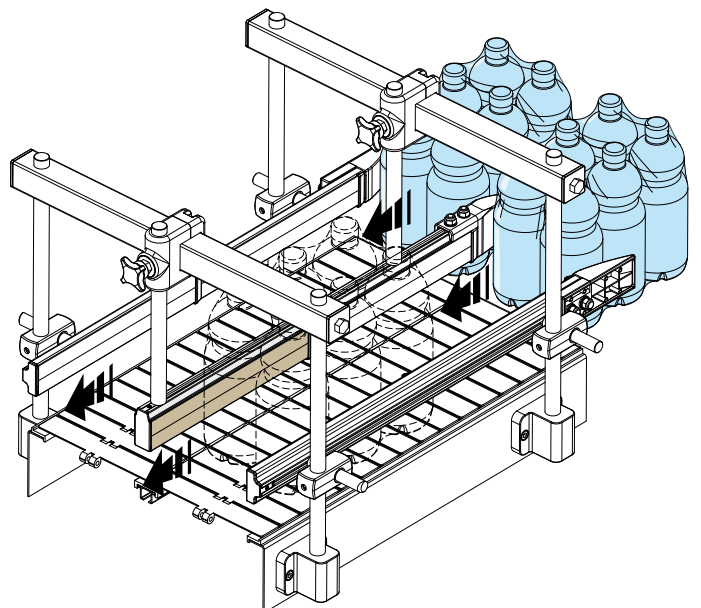
FEATURES: Suitable for use with bundles covered with shrink-wrapped polyethylene film. The coating with peek guarantees maximum smoothness of the product. Suitable for high temperatures applications. Peek covering thickness: min. 40 µ, max 50 µ. Supplied already assembled, in bars of 3 meters length.

BOX QUANTITY: 2 bars of 3 meters (total 6 meters).

Example of application



Example of application



Suitable for applications which require maximum smoothness.



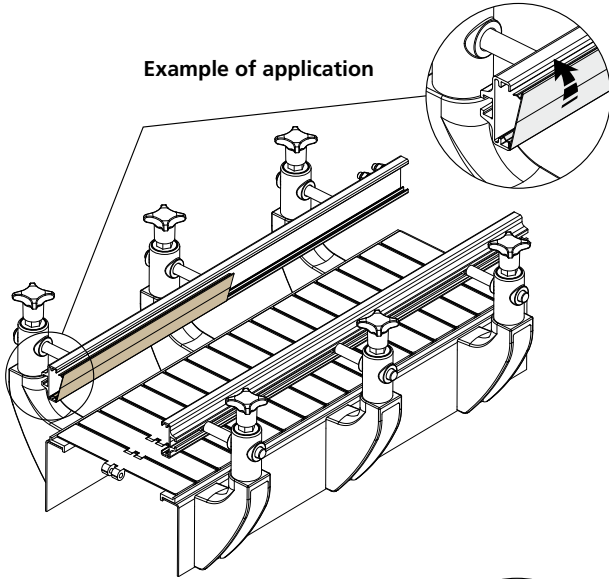
Suitable for use with bundles covered with shrink-wrapped polyethylene film.



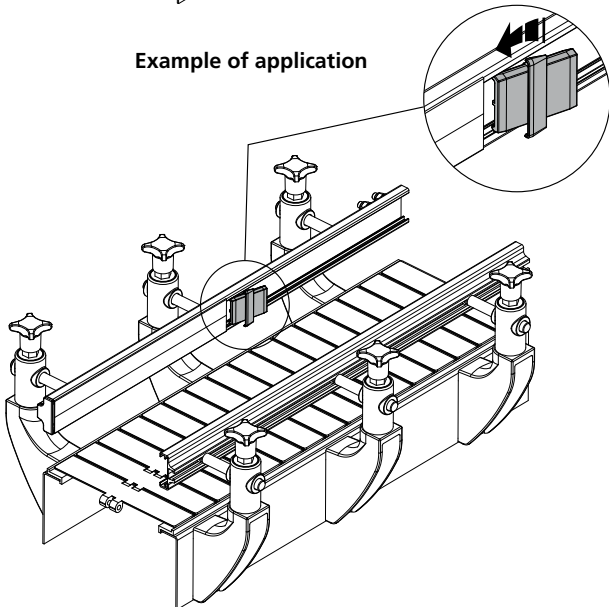
Suitable for high temperatures applications.

Product guides and accessories

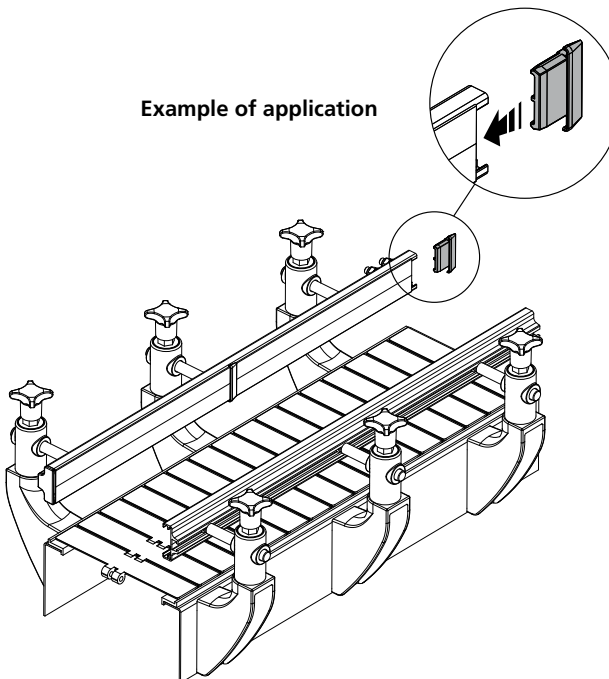
Example of application



Example of application

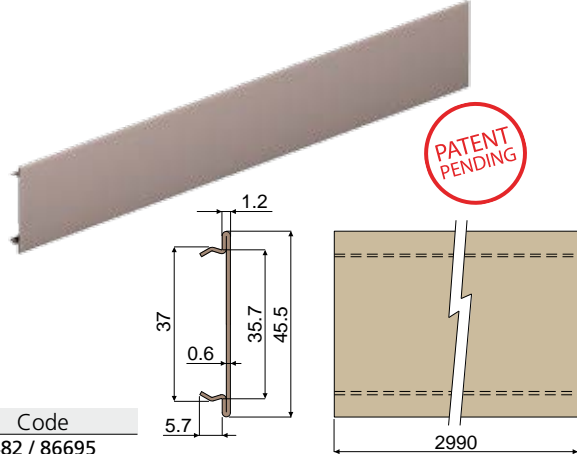


Example of application



Guide profile (metallic profile)

Part. **482**



Code
482 / 86695

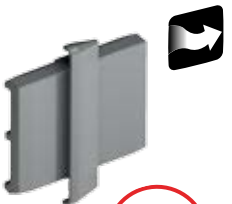
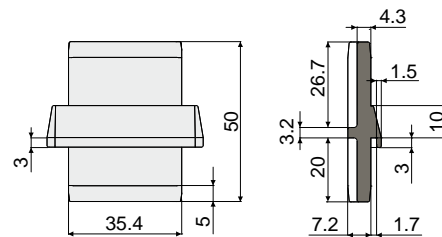
MATERIALS: Guide profile in stainless steel AISI 304 covered with peek.

FEATURES: Suitable for use with bundles covered with shrink-wrapped polyethylene film. The coating with peek guarantees maximum smoothness of the product. Suitable for high temperatures applications. Peek covering thickness: min. 40 μ, max 50 μ. Supplied in bars of 2.99 meters length. Snap-on assembly on profiles: Part.320, 321, 322, 323.

BOX QUANTITY: 2 pieces (6 Mt.).

Connecting element (for Part.464, 480)

Part. **466**



Code
466 / 85563

MATERIALS: Connecting element in grey colour polyamide and auto-lubricating additive.

FEATURES: To be used as a connecting element between the guides: Part.464, 480. The self-lubricating additive guarantees maximum smoothness of the product.

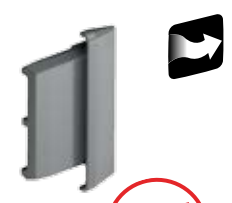
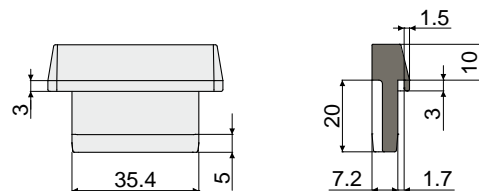
BOX QUANTITY: 8 pieces.

ON REQUEST:

- Connecting elements: In different colours
- Box quantity: According to your request.

Closing cap (for Part.464, 480)

Part. **465**



Code
465 / 85562

MATERIALS: Cap in grey colour polyamide and auto-lubricating additive.

FEATURES: To be used as a closure cap at the extremities of the guides: Part.464, 480. The self-lubricating additive guarantees maximum smoothness of the product.

BOX QUANTITY: 8 pieces.

ON REQUEST:

- Caps: In different colours.
- Box quantity: According to your request.



Suitable for applications which require maximum smoothness.



Suitable for use with bundles covered with shrink-wrapped polyethylene film.

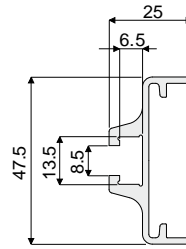


Suitable for high temperatures applications.

Product guides and accessories

Profile for side guides

Part. **320**



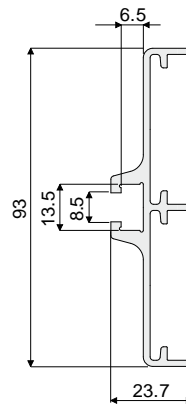
Type	Version	Code	Length
Side	Single	320 / 82917	3 Mt.

MATERIALS: Metal profile in anodized aluminium.

FEATURES: Supplied in bars of 3 meters length. To be used with guides Part.306, 325, 355, 464, 467, 468.

BOX QUANTITY: 2 bars of 3 meters (total 6 meters).

Part. **321** Profile for side guides



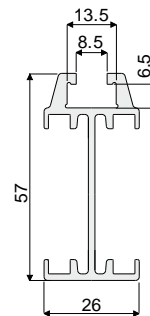
Type	Version	Code	Length
Side	Double	321 / 82918	3 Mt.

MATERIALS: Metal profile in anodized aluminium.

FEATURES: Supplied in bars of 3 meters length. To be used with guides Part.307, 326, 356, 474, 477.

BOX QUANTITY: 2 bars of 3 meters (total 6 meters).

Part. **322** Profile for central guides



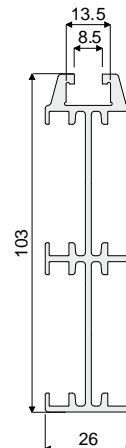
Type	Version	Code	Length
Central	Single	322 / 82919	3 Mt.

MATERIALS: Metal profile in anodized aluminium.

FEATURES: Supplied in bars of 3 meters length. To be used with guides Part.308, 327, 357, 475, 478, 480.

BOX QUANTITY: 2 bars of 3 meters (total 6 meters).

Part. **323** Profile for central guides



Type	Version	Code	Length
Central	Double	323 / 82920	3 Mt.

MATERIALS: Metal profile in anodized aluminium.

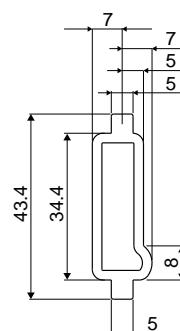
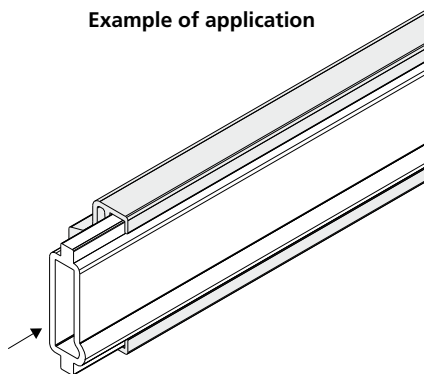
FEATURES: Supplied in bars of 3 meters length. To be used with guides Part.319, 328, 358, 476, 479.

BOX QUANTITY: 2 bars of 3 meters (total 6 meters).

Product guides and accessories

Guide profile for products Part. **329**

Example of application



Code
329 / 83007

MATERIALS: Profile made of natural polyethylene white colour.

FEATURES: Supplied in bars of 3 meters length.

To be used with guides Part.320, 321, 322, 323.

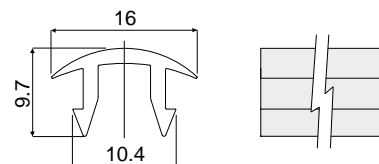
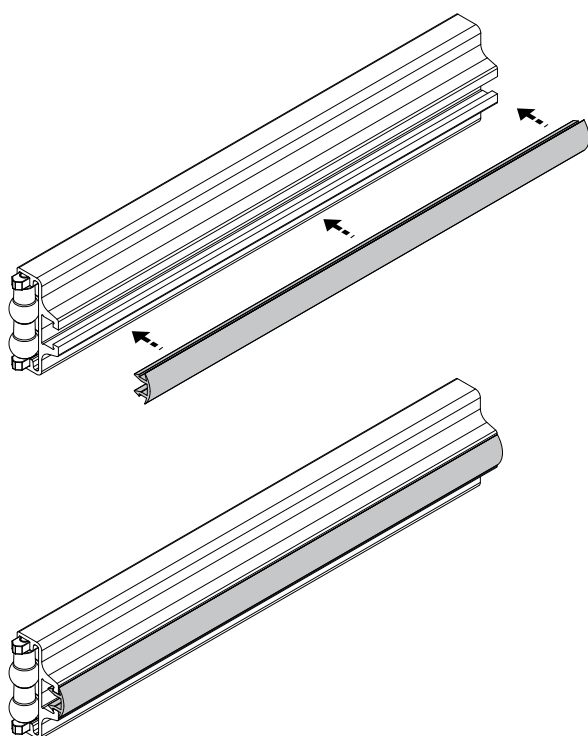
BOX QUANTITY: 8 bars of 3 meters (total 24 meters).

ON REQUEST:

- Box quantity: According to your request.

Slot closing profile Part. **522**

Example of application



Code
522 / 87355

MATERIALS: Profile made of soft PVC grey colour.

FEATURES: To be used with guides Part.306, 307, 308, 319, 320, 321, 322, 323, 325, 326, 327, 328, 355, 356, 357, 358, 381, 384, 464, 467, 468, 474, 475, 476, 477, 478, 479, 480.

Pressure mounting.

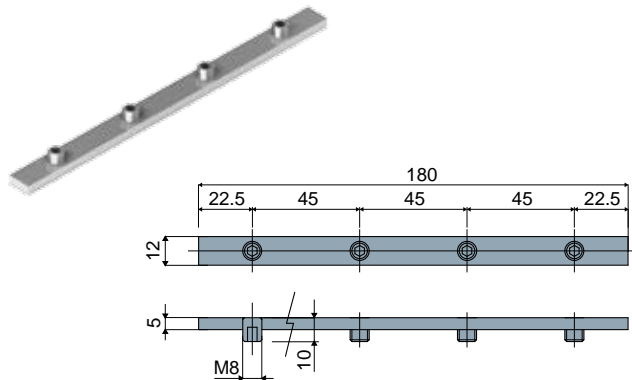
BOX QUANTITY: 20 Mt. rolls.

ON REQUEST:

- Box quantity: According to your request.

Product guides and accessories

Part. 318 Connecting bar for guides



Bar in zinc plated steel	Bar in stainless steel AISI 304
Code	Code
318 / 82913	318 / 90415

MATERIALS: Bar made of zinc plated steel or stainless steel AISI 304; screws M8x10 made of zinc plated steel or stainless steel.

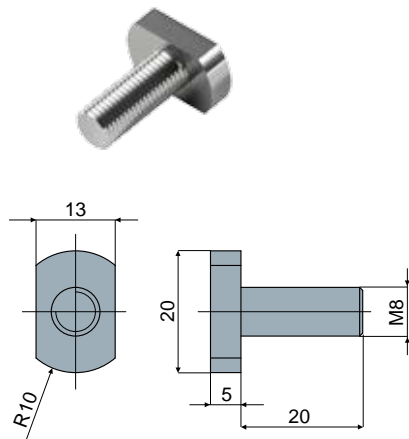
FEATURES: To be used for connecting the metal profiles of Part. 306, 307, 308, 319, 320, 321, 322, 323, 325, 326, 327, 328, 355, 356, 357, 358, 381 (Type 2), 384 (Type 2), 438, 464, 467, 468, 474, 475, 476, 477, 478, 479, 480.

BOX QUANTITY: 8 pieces.

ON REQUEST:

- Box quantity: According to your request.

Part. 437 Screw with shaped head (hammer head)



Screw in zinc plated steel	Screw in stainless steel AISI 304
Code	Code
437 / 85235	437 / 90419

MATERIALS: Screw in zinc plated steel or stainless steel AISI 304.

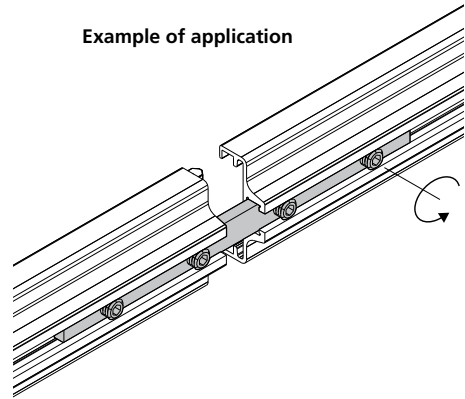
FEATURES: To be used with guides Part.306, 307, 308, 319, 320, 321, 322, 323, 325, 326, 327, 328, 355, 356, 357, 358, 381, 384, 438, 464, 467, 468, 474, 475, 476, 477, 478, 479, 480.

BOX QUANTITY: 24 pieces.

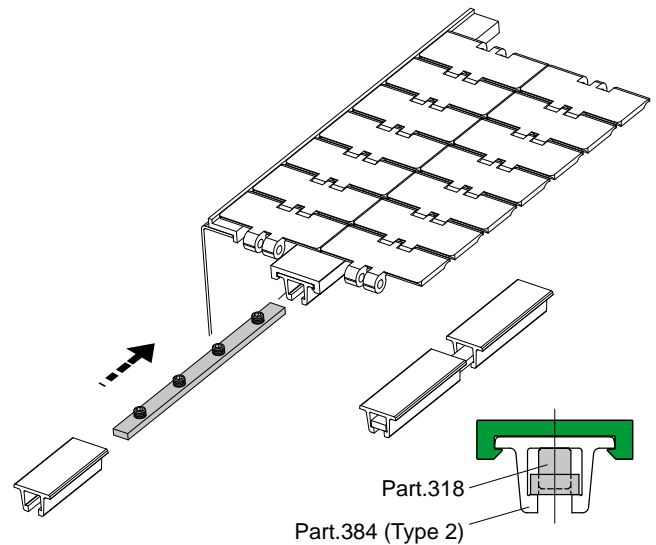
ON REQUEST:

- Box quantity: According to your request.

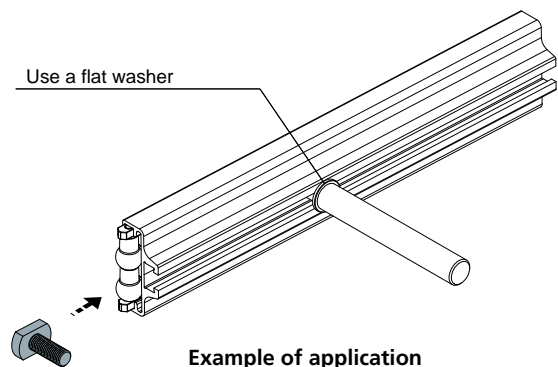
Example of application



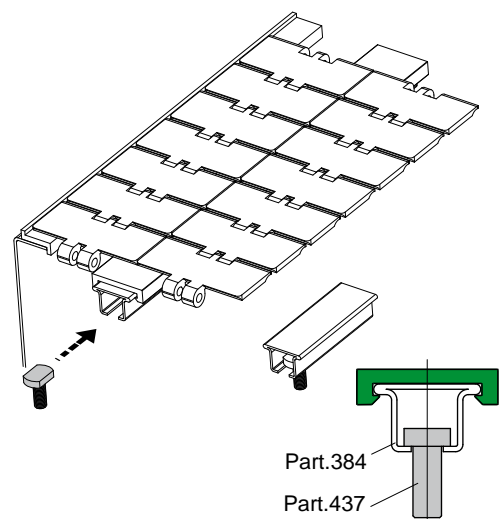
Example of application



Example of application

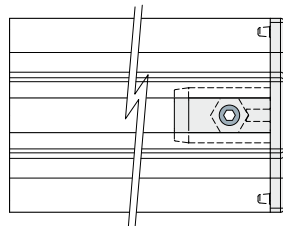
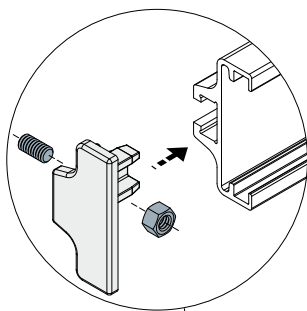


Example of application

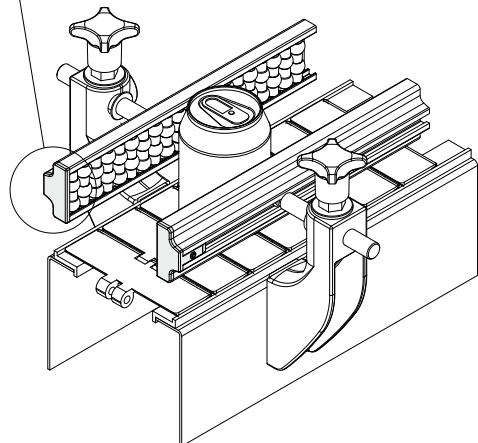


Product guides and accessories

Example of application

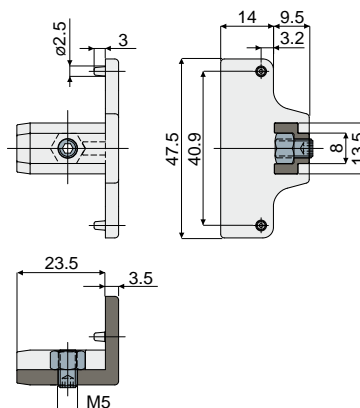


Example of application



Closing cap (for side guides, single type)

Part. **415**



Code
415 / 84547

MATERIALS: Cap in reinforced polyamide grey colour; nut and grub screw in stainless steel AISI 304.

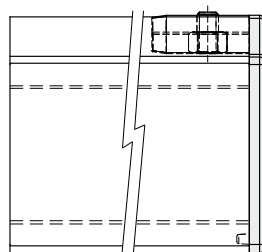
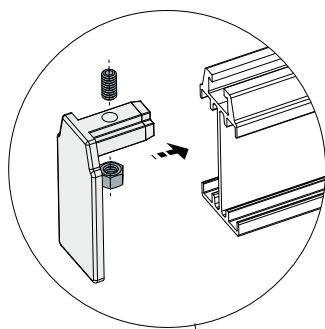
FEATURES: To be used as a closure cap at the extremities of the side guides: Part.306, 325, 355, 464, 467, 468.

BOX QUANTITY: 24 pieces.

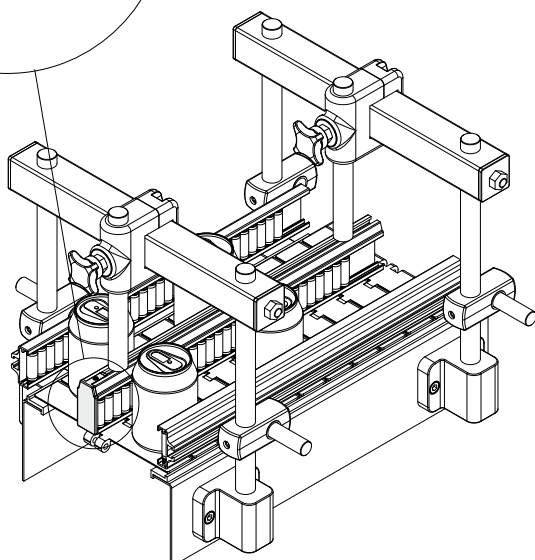
ON REQUEST:

- Caps: In different colours.
- Assembling of: Nuts and grub screws.
- Box quantity: According to your request.

Example of application

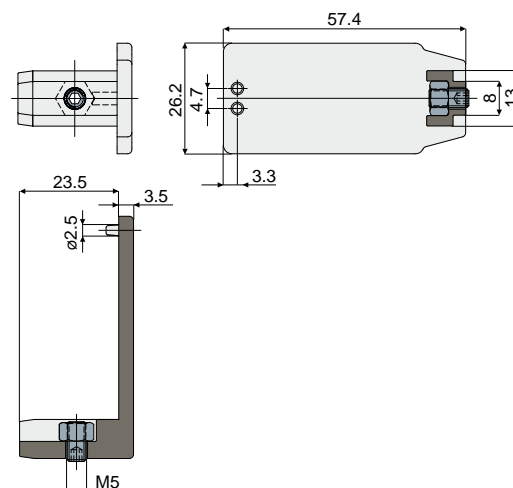


Example of application



Closing cap (for central guides, single type)

Part. **481**



Code
481 / 86002

MATERIALS: Cap in reinforced polyamide grey colour; nut and grub screw in stainless steel AISI 304.

FEATURES: To be used as a closure cap at the extremities of the central guides: Part.308, 327, 357, 475, 478, 480.

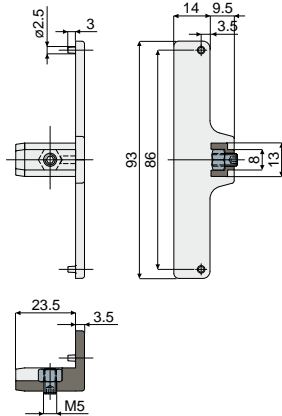
BOX QUANTITY: 24 pieces.

ON REQUEST:

- Caps: In different colours.
- Assembling of: Nuts and grub screws.
- Box quantity: According to your request.

Product guides and accessories

Part. 493 Closing cap (for side guides, double type)



Code

493 / 87014

MATERIALS: Cap in reinforced polyamide grey colour; nut and grub screw in stainless steel AISI 304.

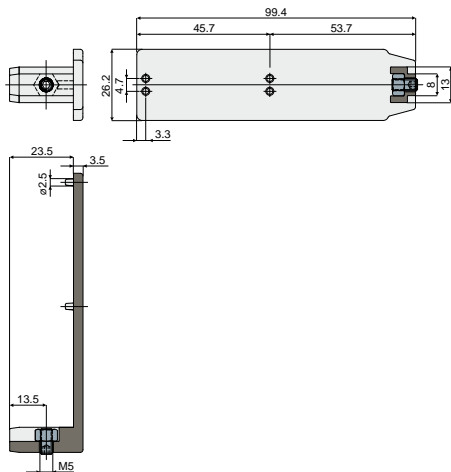
FEATURES: To be used as a closure cap at the extremities of the side guides: Part.307, 326, 356, 474, 477.

BOX QUANTITY: 24 pieces.

ON REQUEST:

- Caps: In different colours.
- Assembling of: Nuts and grub screws.
- Box quantity: According to your request.

Part. 494 Closing cap (for central guides, double type)



Code

494 / 87015

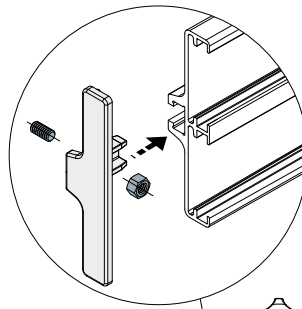
MATERIALS: Cap in reinforced polyamide grey colour; nut and grub screw in stainless steel AISI 304.

FEATURES: To be used as a closure cap at the extremities of the central guides: Part.319, 328, 358, 476, 479.

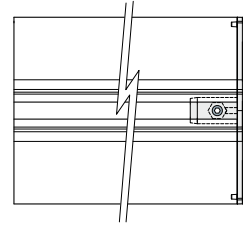
BOX QUANTITY: 24 pieces.

ON REQUEST:

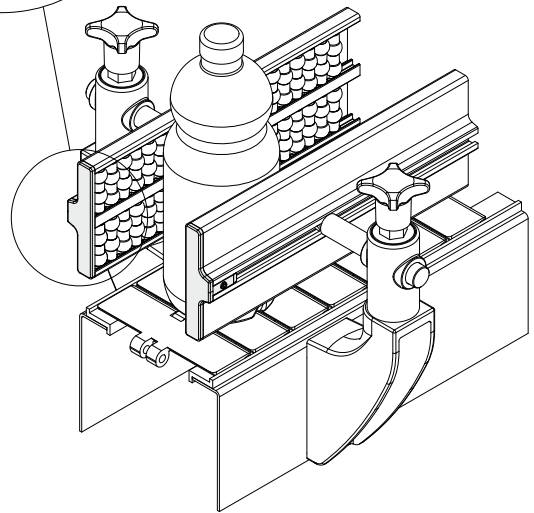
- Caps: In different colours.
- Assembling of: Nuts and grub screws.
- Box quantity: According to your request.



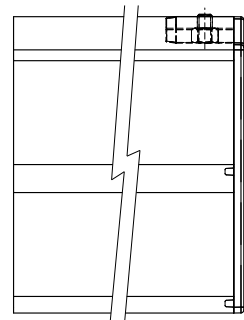
Example of application



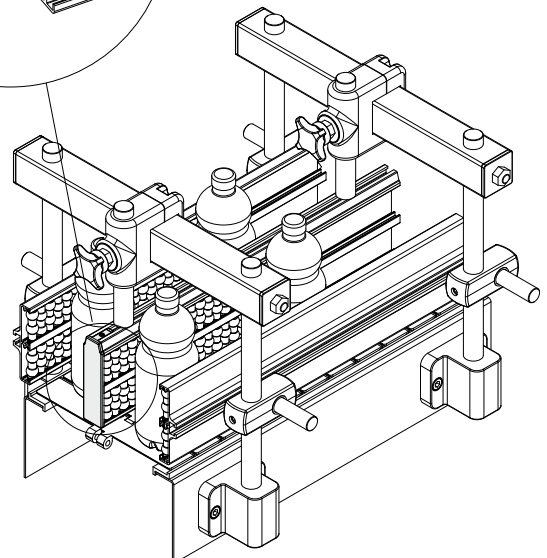
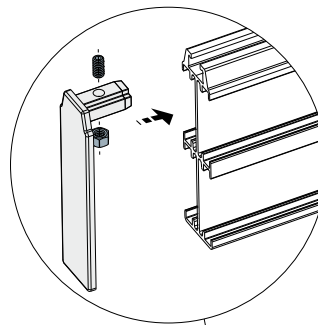
Example of application



Example of application

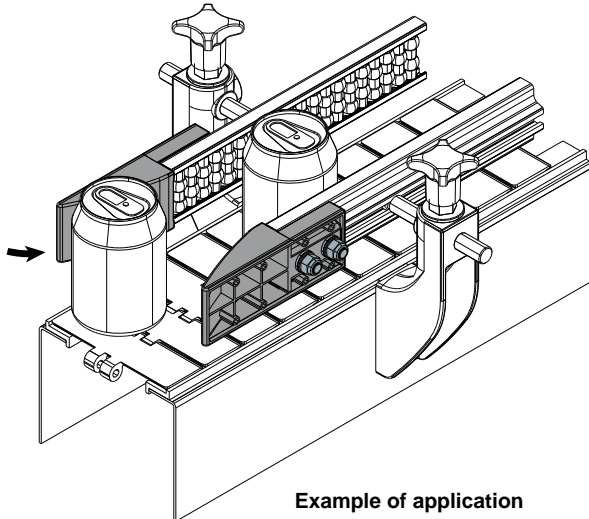
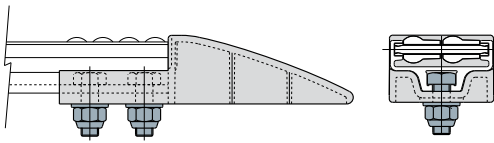


Example of application



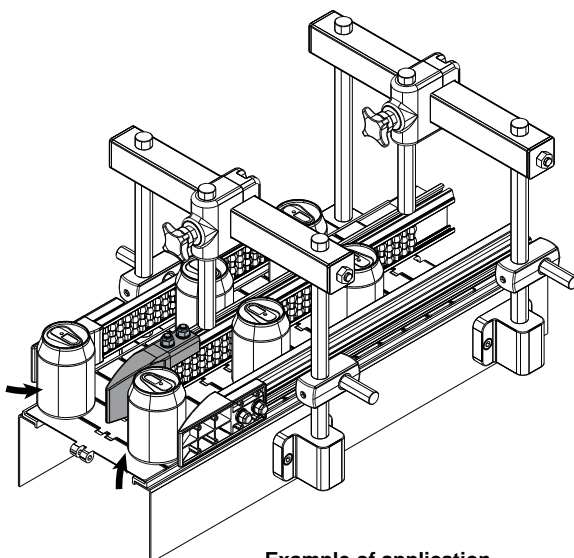
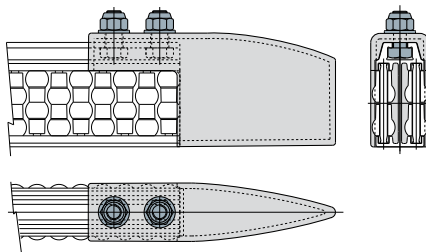
Product guides and accessories

Example of application



Example of application

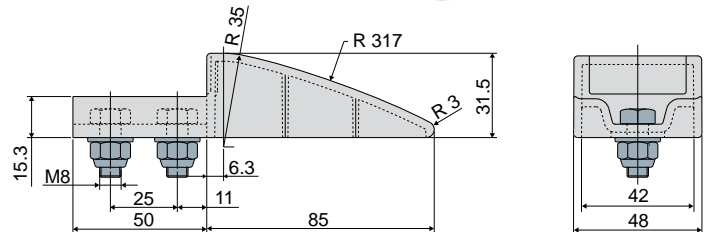
Example of application



Example of application

Separation Block for roller side guide (single type)

Part. **340**



Code	Material
340 / 83357	Polyethylene
340 / 85826	PA + auto-lubricating additive

MATERIALS: Separation block in polyethylene or in polyamide with auto-lubricating additive; bolts and nuts in stainless steel AISI 304.

FEATURES: To be used at the end of the side guides (Part.306, 325, 355, 464, 467, 468), to help the arrival of the products. The version with auto-lubricating additive guarantees maximum smoothness of the product. Supplied complete with bolts and nuts.

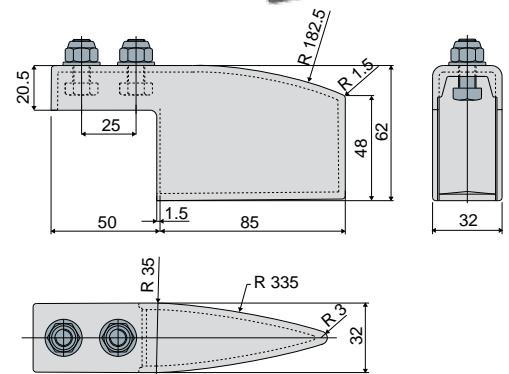
BOX QUANTITY: 8 pieces.

ON REQUEST:

- Separation blocks: In different colours.
- Box quantity: According to your request.

Separation Block for roller central guide (single type)

Part. **341**



Code	Material
341 / 83359	Polyethylene
341 / 85828	PA + auto-lubricating additive

MATERIALS: Separation block in polyethylene or in polyamide with auto-lubricating additive; bolts and nuts in stainless steel AISI 304.

FEATURES: To be used at the end of the central guides (Part.308, 327, 357, 475, 478, 480), to help the arrival of the products. The version with auto-lubricating additive guarantees maximum smoothness of the product. Supplied complete with bolts and nuts.

BOX QUANTITY: 8 pieces.

ON REQUEST:

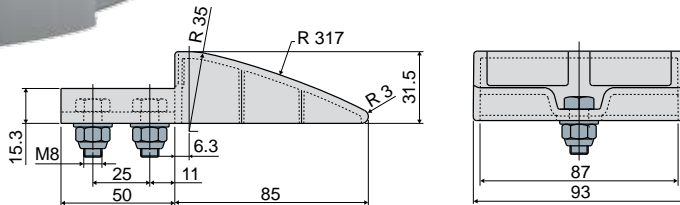
- Separation blocks: In different colours.
- Box quantity: According to your request.



Suitable for applications which require maximum smoothness.

Product guides and accessories

Part. 342 Separation Block for roller side guide (double type)



Code	Material
342 / 83361	Polyethylene
342 / 85984	PA + auto-lubricating additive

MATERIALS: Separation block in polyethylene or in polyamide with auto-lubricating additive; bolts and nuts in stainless steel AISI 304.

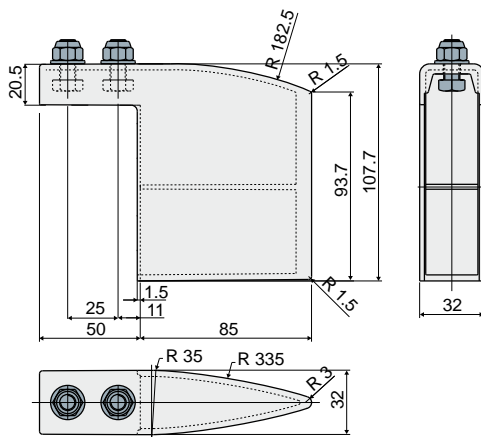
FEATURES: To be used at the end of the side guides (Part.307, 326, 356, 474, 477), to help the arrival of the products. The version with auto-lubricating additive guarantees maximum smoothness of the product. Supplied complete with bolts and nuts.

BOX QUANTITY: 8 pieces.

ON REQUEST:

- Separation blocks: In different colours.
- Box quantity: According to your request.

Part. 343 Separation Block for roller central guide (double type)



Code	Material
343 / 83363	Polyethylene
343 / 85985	PA + auto-lubricating additive

MATERIALS: Separation block in polyethylene or in polyamide with auto-lubricating additive; bolts and nuts in stainless steel AISI 304.

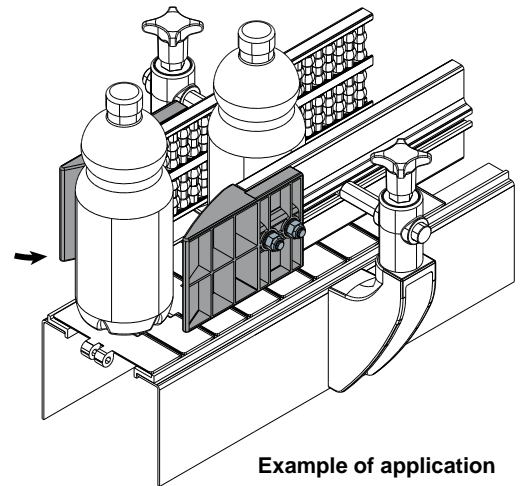
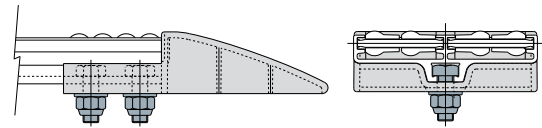
FEATURES: To be used at the end of the central guides (Part.319, 328, 358, 476, 479), to help the arrival of the products. The version with auto-lubricating additive guarantees maximum smoothness of the product. Supplied complete with bolts and nuts.

BOX QUANTITY: 8 pieces.

ON REQUEST:

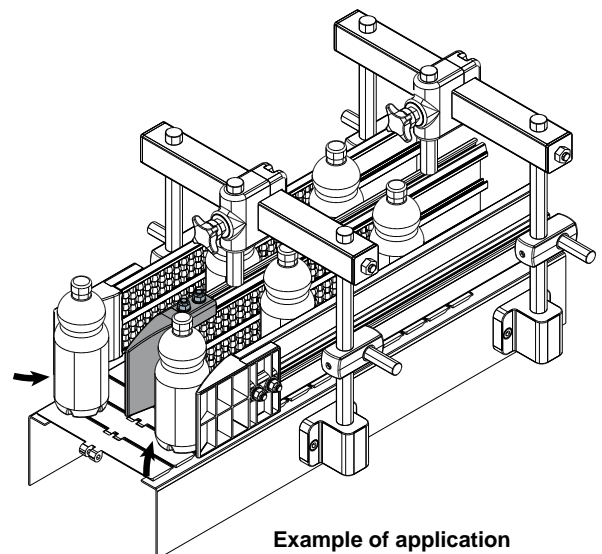
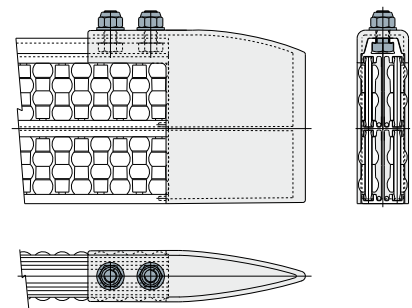
- Separation blocks: In different colours.
- Box quantity: According to your request.

Example of application



Example of application

Example of application



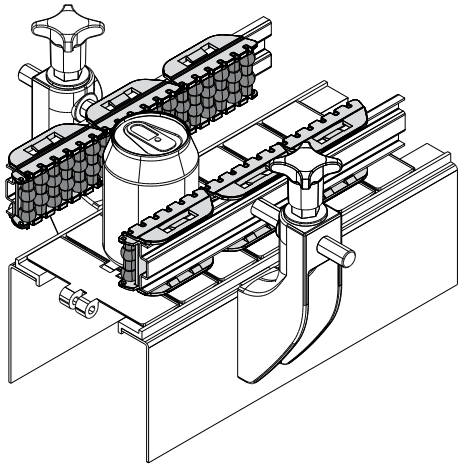
Example of application



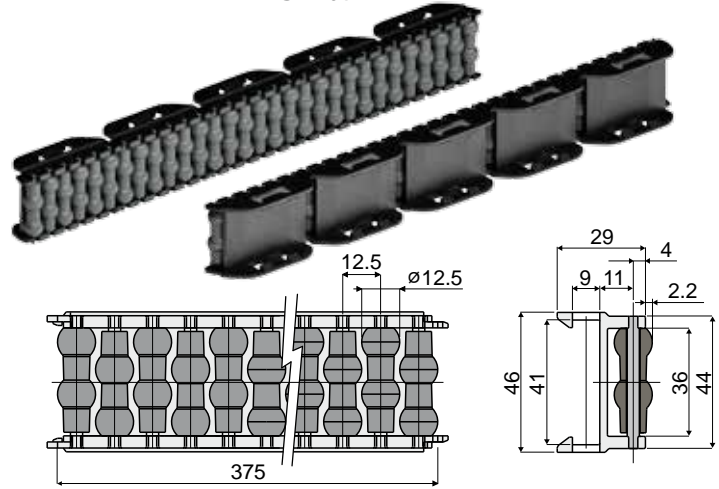
Suitable for applications which require maximum smoothness.

Product guides and accessories

Example of application



Roller side guide with pearls Part. 345 (single type, 375 mm modules)



Pins made of acetal	Pins made of stainless steel AISI 304
Code	Code
345 / 83380	345 / 86717

MATERIALS: Rollers in polyethylene grey colour; modules in acetal resin black colour; support pins in black acetal or in stainless steel AISI 304.

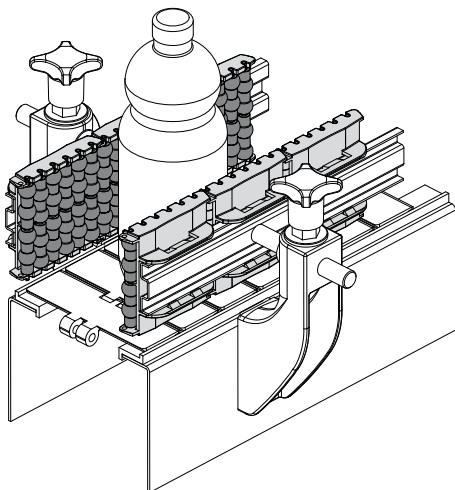
FEATURES: Supplied already assembled, in modules of 375 mm length, for 40x8 mm plate. Min. curvature radius: ext = 500 mm; int. = 350 mm.

BOX QUANTITY: 16 pieces.

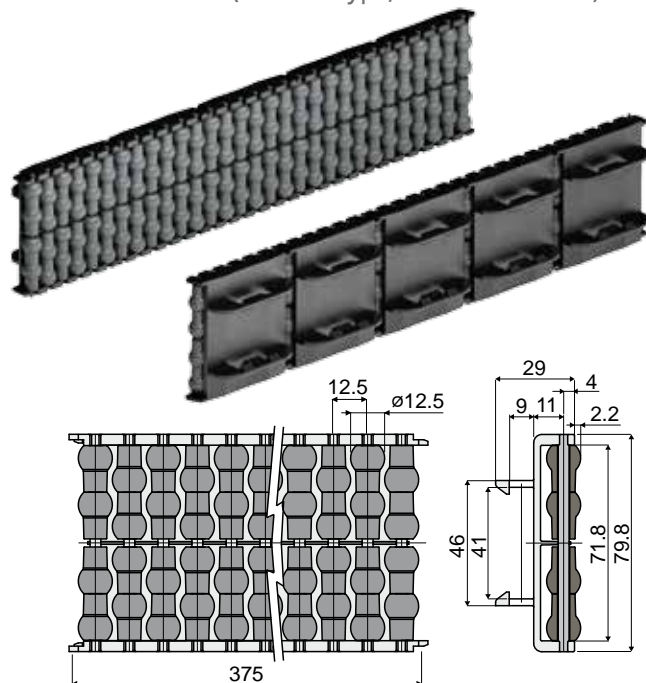
ON REQUEST:

- Module and rollers: In different colours.
- Box quantity: According to your request.

Example of application



Roller side guide with pearls Part. 423 (double type, 375 mm modules)



Pins made of acetal	Pins made of stainless steel AISI 304
Code	Code
423 / 84818	423 / 85272

MATERIALS: Rollers in polyethylene grey colour; modules in acetal resin black colour; support pins in black acetal or in stainless steel AISI 304.

FEATURES: Supplied already assembled, in modules of 375 mm length, for 40x8 mm plate. Min. curvature radius: ext = 500 mm; int. = 350 mm.

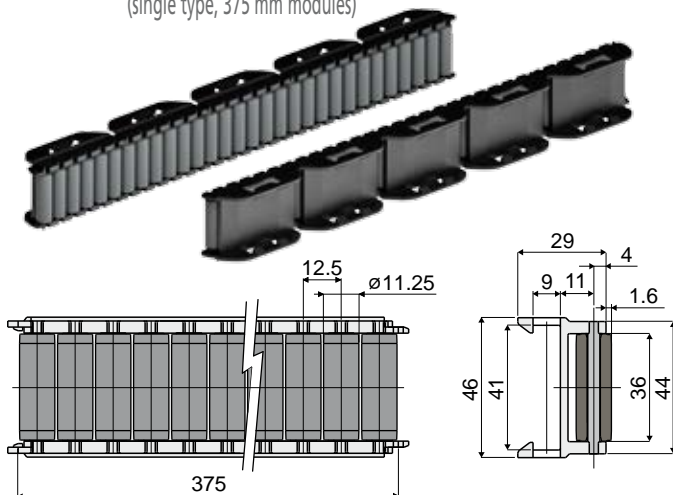
BOX QUANTITY: 16 pieces.

ON REQUEST:

- Module and rollers: In different colours.
- Box quantity: According to your request.

Product guides and accessories

Part. 339 Roller side guide with cylinders (single type, 375 mm modules)



Pins made of acetal	Pins made of stainless steel AISI 304
Code	Code
339 / 83319	339 / 86718

MATERIALS: Rollers in polyethylene grey colour; modules in acetal resin black colour; support pins in black acetal or in stainless steel AISI 304.

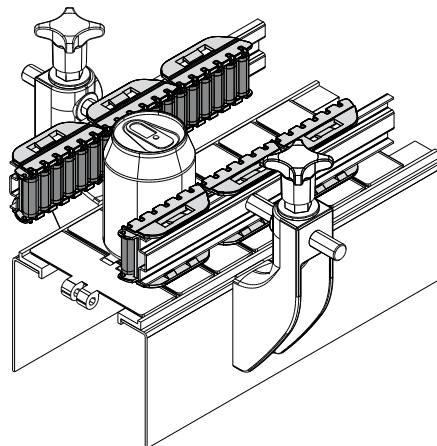
FEATURES: Supplied already assembled, in modules of 375 mm length, for 40x8 mm plate. Min. curvature radius: ext = 500 mm; int. = 350 mm.

BOX QUANTITY: 16 pieces.

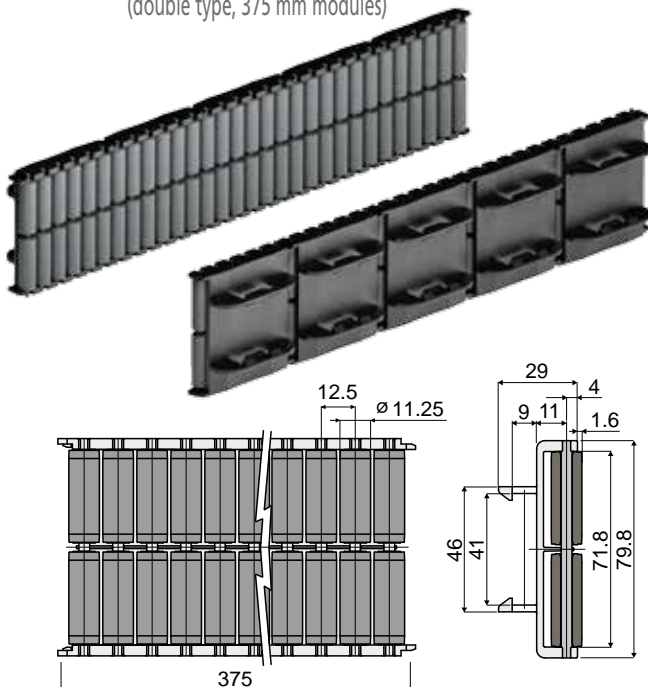
ON REQUEST:

- Module and rollers: In different colours.
- Box quantity: According to your request.

Example of application



Part. 422 Roller side guide with cylinders (double type, 375 mm modules)



Pins made of acetal	Pins made of stainless steel AISI 304
Code	Code
422 / 84817	422 / 85273

MATERIALS: Rollers in polyethylene grey colour; modules in acetal resin black colour; support pins in black acetal or in stainless steel AISI 304.

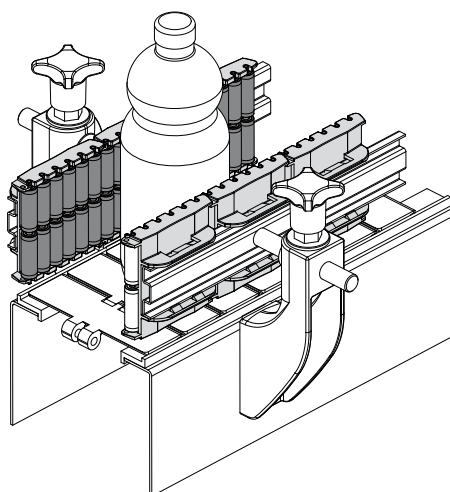
FEATURES: Supplied already assembled, in modules of 375 mm length, for 40x8 mm plate. Min. curvature radius: ext = 500 mm; int. = 350 mm.

BOX QUANTITY: 16 pieces.

ON REQUEST:

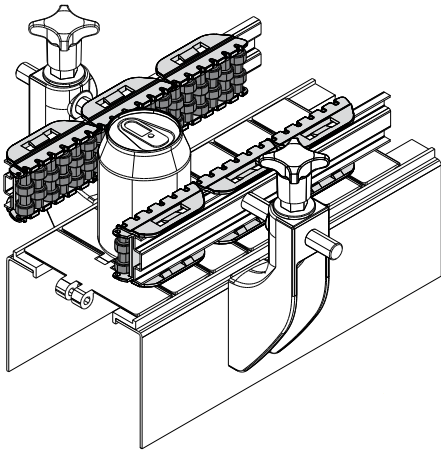
- Module and rollers: In different colours.
- Box quantity: According to your request.

Example of application



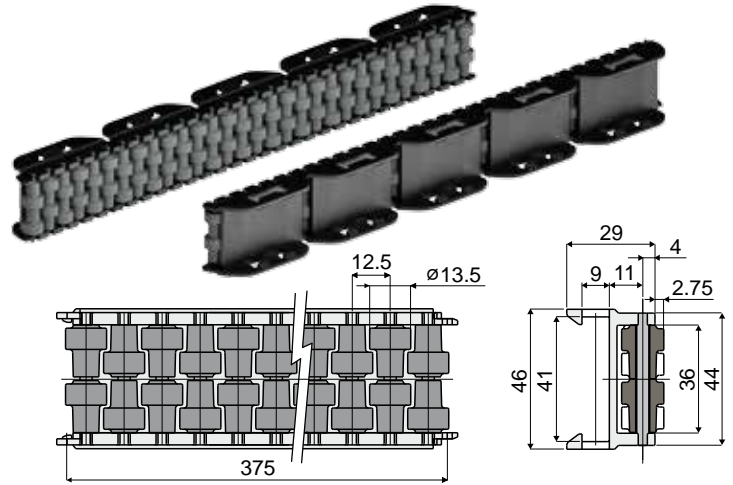
Product guides and accessories

Example of application



Roller side guide with round rollers Part. 344

(single type, 375 mm modules)



Pins made of acetal	Pins made of stainless steel AISI 304
Code	Code
344 / 83372	344 / 86719

MATERIALS: Rollers in polyethylene grey colour; modules in acetal resin black colour; support pins in black acetal or in stainless steel AISI 304.

FEATURES: Supplied already assembled, in modules of 375 mm length, for 40x8 mm plate. Min. curvature radius: ext = 500 mm; int. = 350 mm.

BOX QUANTITY: 16 pieces.

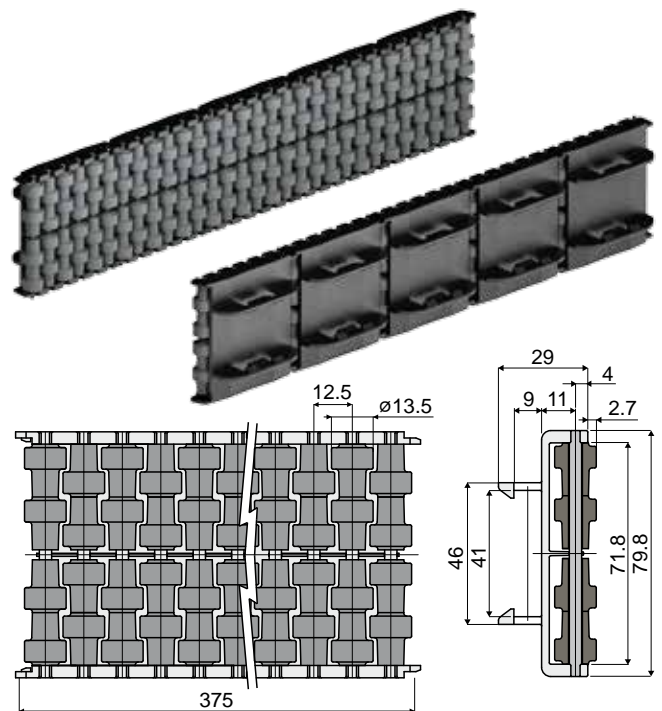
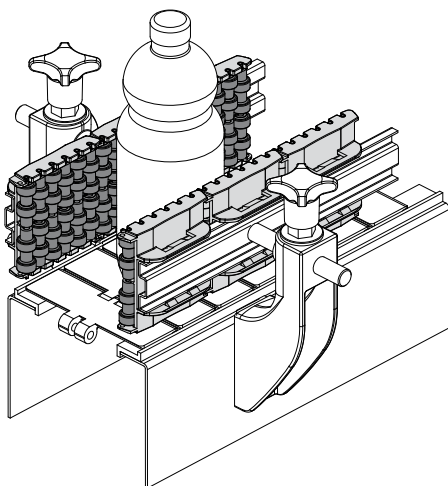
ON REQUEST:

- Module and rollers: In different colours.
- Box quantity: According to your request.

Roller side guide with round rollers Part. 421

(double type, 375 mm modules)

Example of application



Pins made of acetal	Pins made of stainless steel AISI 304
Code	Code
421 / 84816	421 / 85274

MATERIALS: Rollers in polyethylene grey colour; modules in acetal resin black colour; support pins in black acetal or in stainless steel AISI 304.

FEATURES: Supplied already assembled, in modules of 375 mm length, for 40x8 mm plate. Min. curvature radius: ext = 500 mm; int. = 350 mm.

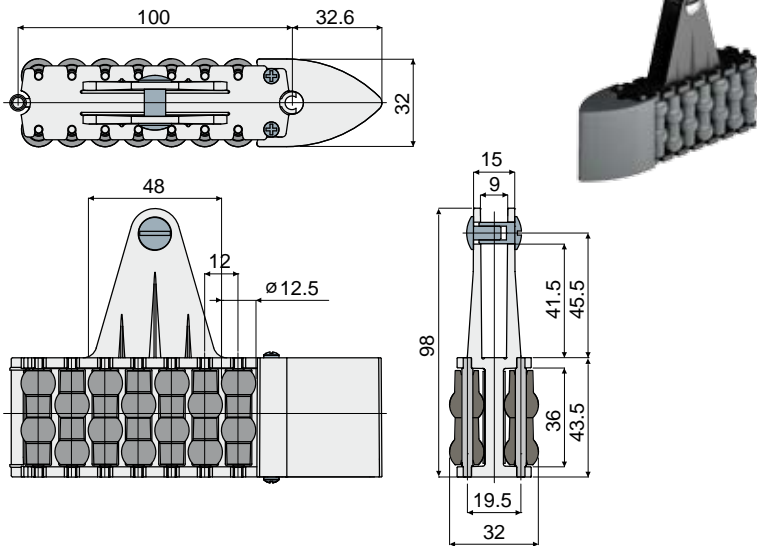
BOX QUANTITY: 16 pieces.

ON REQUEST:

- Module and rollers: In different colours.
- Box quantity: According to your request.

Product guides and accessories

Part. 448 Separation Block with pearls (for Part.451)



Pins made of acetal	Pins made of stainless steel AISI 304
Code	Code
448 / 85374	448 / 85459

MATERIALS: Rollers in polyethylene grey colour; module in acetal resin black colour; shoe in acetal resin grey colour; support pins in black acetal or in stainless steel AISI 304.

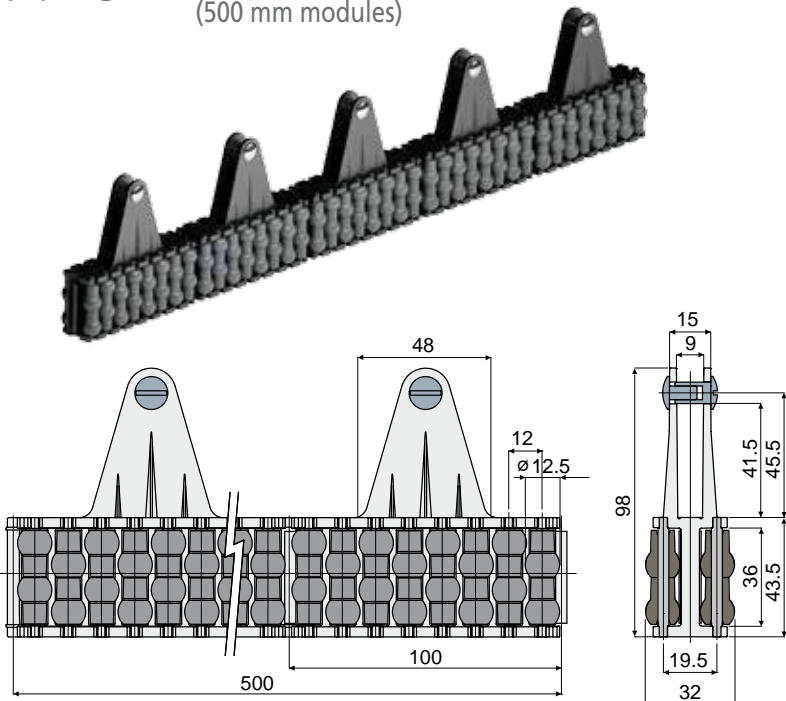
FEATURES: Supplied already assembled (1 module + 1 shoe); for 40x8 mm plate.

BOX QUANTITY: 6 pieces.

ON REQUEST:

- Module and rollers: In different colours.
- Box quantity: According to your request.

Part. 451 Roller central guide with pearls (500 mm modules)



Pins made of acetal	Pins made of stainless steel AISI 304
Code	Code
451 / 85377	451 / 85467

MATERIALS: Rollers in polyethylene grey colour; modules in acetal resin black colour; support pins in black acetal or in stainless steel AISI 304.

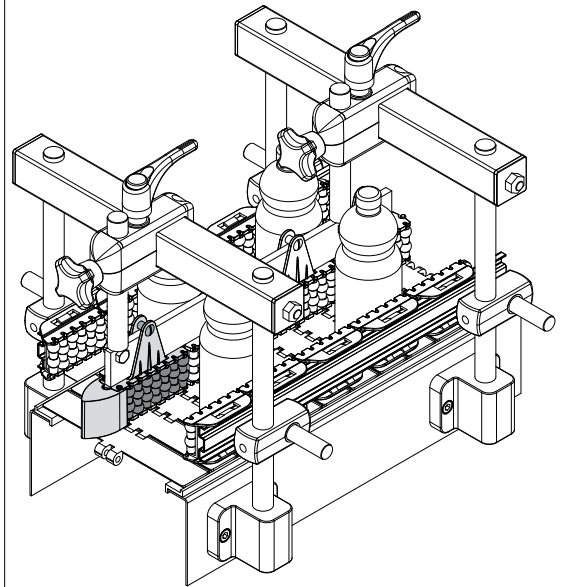
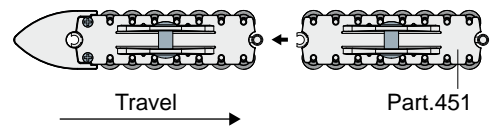
FEATURES: Supplied already assembled, in modules of 500 mm length, for 40x8 mm plate. Min. curvature radius: 335 mm.

BOX QUANTITY: 12 pieces.

ON REQUEST:

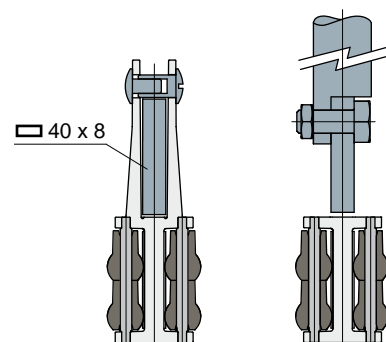
- Module and rollers: In different colours.
- Box quantity: According to your request.

Example of application

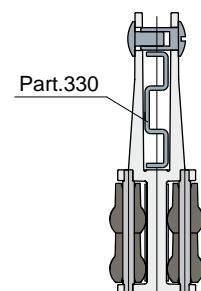


Example of application

Fixing with plate

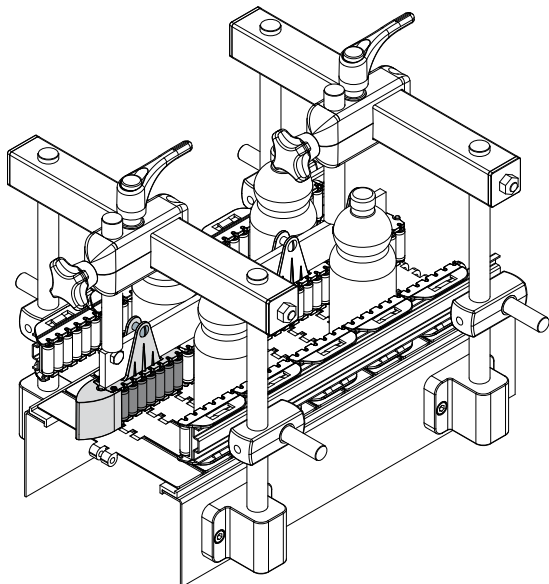
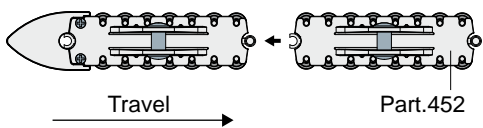


Fixing with metal profile



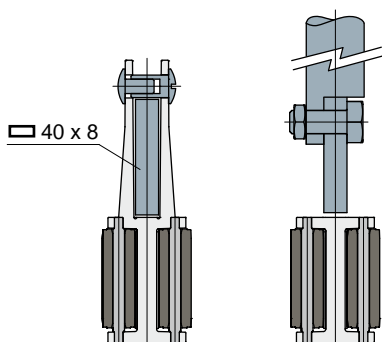
Product guides and accessories

Example of application

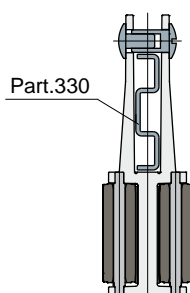


Example of application

Fixing with plate

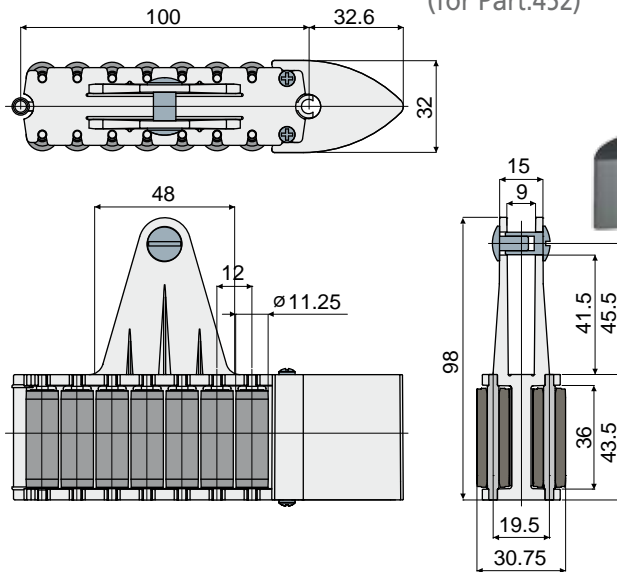


Fixing with metal profile



Separation Block with cylinders (for Part.452)

Part. **449**



Pins made of acetal	Pins made of stainless steel AISI 304
Code	Code
449 / 85375	449 / 85460

MATERIALS: Rollers in polyethylene grey colour; module in acetal resin black colour; shoe in acetal resin grey colour; support pins in black acetal or in stainless steel AISI 304.

FEATURES: Supplied already assembled (1 module + 1 shoe); for 40x8 mm plate.

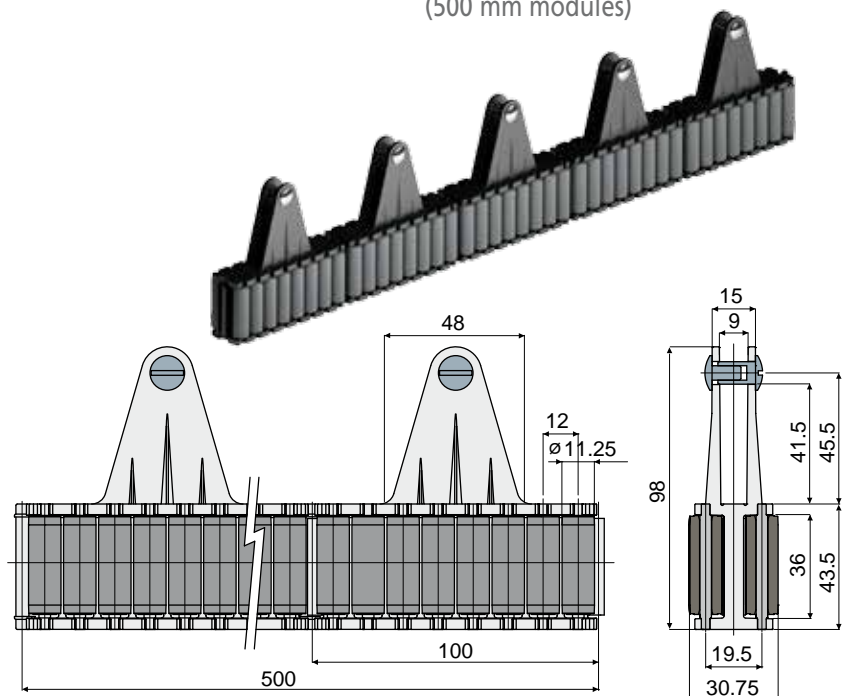
BOX QUANTITY: 6 pieces.

ON REQUEST:

- Module and rollers: In different colours.
- Box quantity: According to your request.

Roller central guide with cylinders (500 mm modules)

Part. **452**



Pins made of acetal	Pins made of stainless steel AISI 304
Code	Code
452 / 85378	452 / 85468

MATERIALS: Rollers in polyethylene grey colour; modules in acetal resin black colour; support pins in black acetal or in stainless steel AISI 304.

FEATURES: Supplied already assembled, in modules of 500 mm length, for 40x8 mm plate. Min. curvature radius: 335 mm.

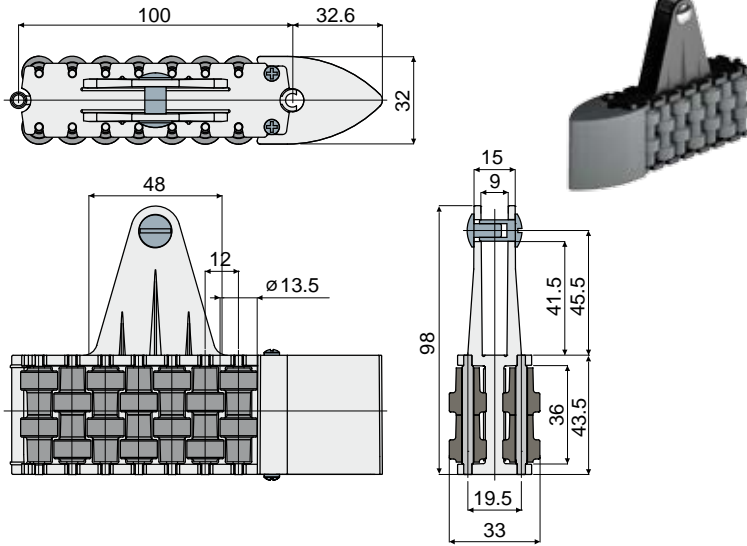
BOX QUANTITY: 12 pieces.

ON REQUEST:

- Module and rollers: In different colours.
- Box quantity: According to your request.

Product guides and accessories

Part. 450 Separation Block with round rollers (for Part.453)



Pins made of acetal	Pins made of stainless steel AISI 304
Code	Code
450 / 85376	450 / 85461

MATERIALS: Rollers in polyethylene grey colour; module in acetal resin black colour; shoe in acetal resin grey colour; support pins in black acetal or in stainless steel AISI 304.

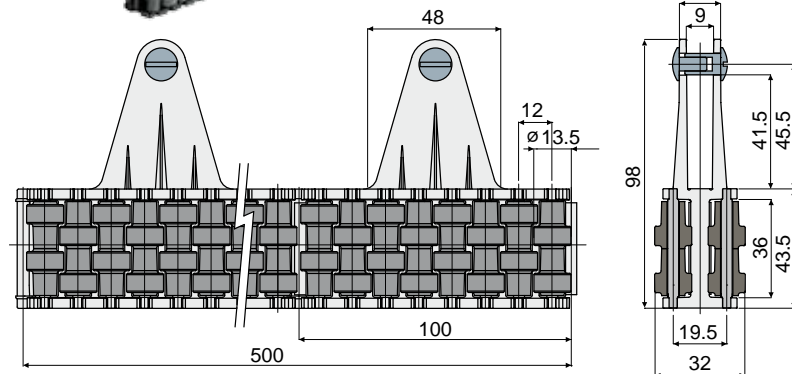
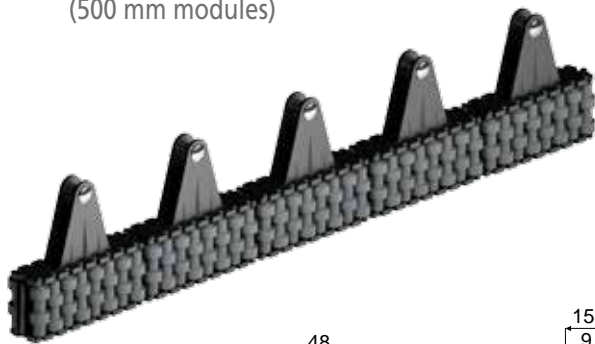
FEATURES: Supplied already assembled (1 module + 1 shoe); for 40x8 mm plate.

BOX QUANTITY: 6 pieces.

ON REQUEST:

- Module and rollers: In different colours.
- Box quantity: According to your request.

Part. 453 Roller central guide with round rollers (500 mm modules)



Pins made of acetal	Pins made of stainless steel AISI 304
Code	Code
453 / 85379	453 / 85469

MATERIALS: Rollers in polyethylene grey colour; modules in acetal resin black colour; support pins in black acetal or in stainless steel AISI 304.

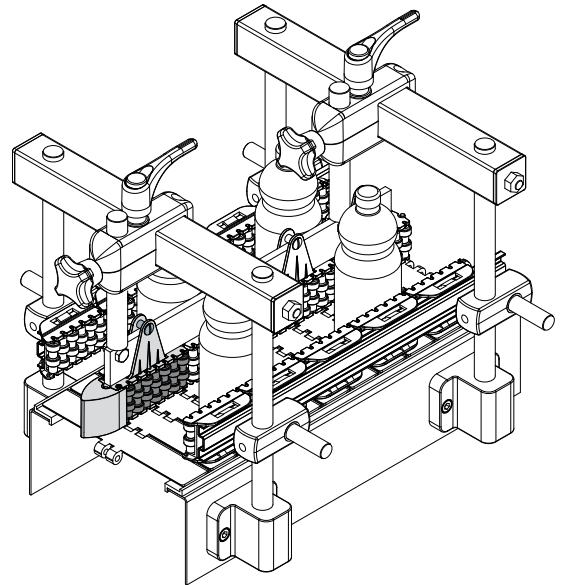
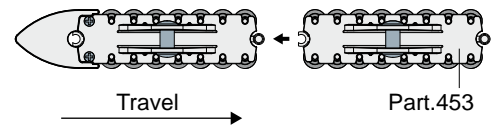
FEATURES: Supplied already assembled, in modules of 500 mm length, for 40x8 mm plate. Min. curvature radius: 335 mm.

BOX QUANTITY: 12 pieces.

ON REQUEST:

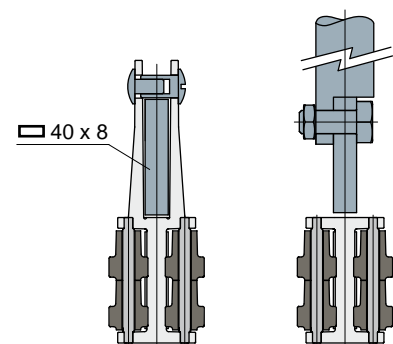
- Module and rollers: In different colours.
- Box quantity: According to your request.

Example of application

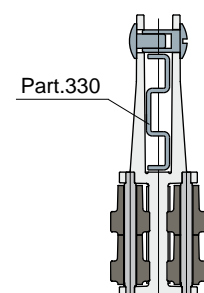


Example of application

Fixing with plate

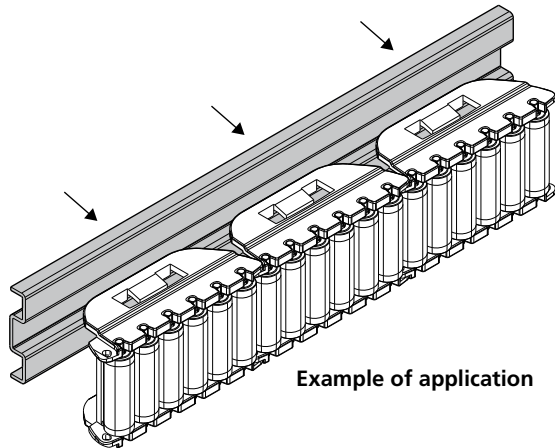
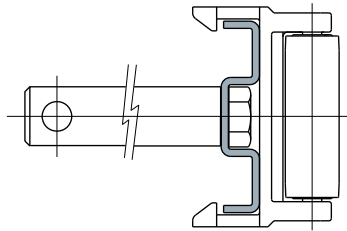


Fixing with metal profile



Product guides and accessories

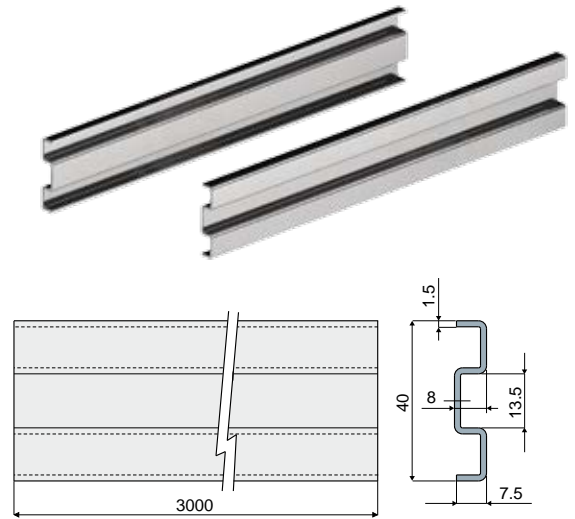
Example of application



Example of application

Profiles for side guides

Part. 330



Stainless steel AISI 304	Stainless steel AISI 430
Code	Code
330 / 83089	330 / 83021

MATERIALS: Profiles in stainless steel AISI 430 or AISI 304.

FEATURES: Supplied in bars of 3 meters length. Min. curvature radius: 500 mm.

To be used with side guide Part.339, 344, 345, 421, 422, 423.

BOX QUANTITY: 2 bars of 3 meters (total 6 meters).

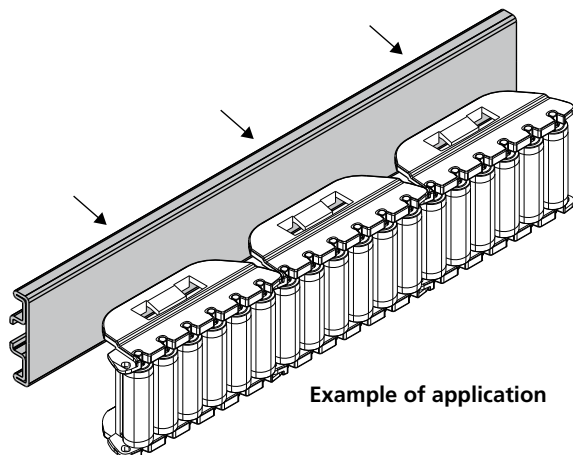
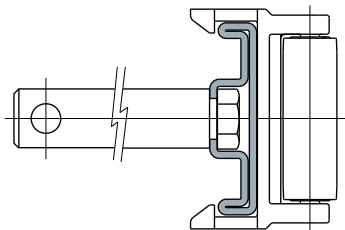
ON REQUEST:

- Box quantity: According to your request.

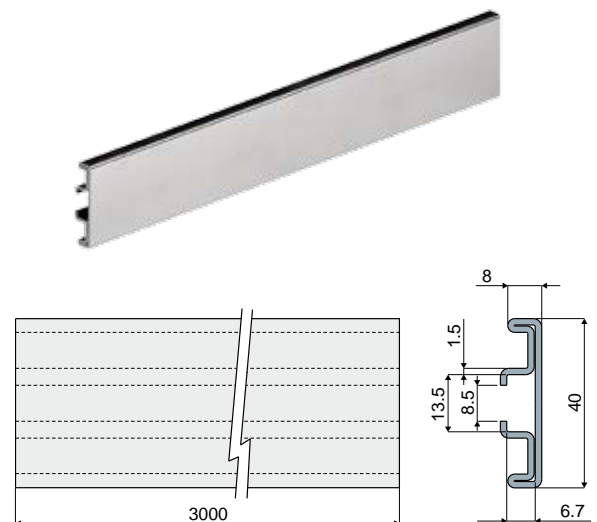
Profile for side guides

Part. 375

Example of application



Example of application



Code
375 / 83890

MATERIALS: Profiles in stainless steel AISI 304.

FEATURES: Supplied in lengths of 3 meters.

To be used with side guide Part.339, 344, 345, 421, 422, 423.

BOX QUANTITY: 2 lengths of 3 meters each (total 6 meters).

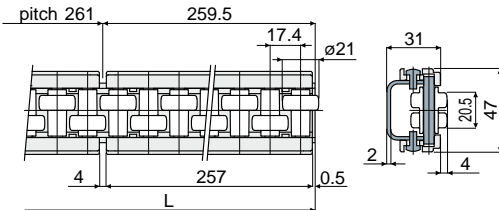
ON REQUEST:

- Box quantity: According to your request.

Product guides and accessories

Part. 502

Roller side guide with round rollers (single type, curvilinear)



L (mm)	Metal profile in zinc plated steel Code	Metal profile in stainless steel AISI 304 Code
3129	502 / 86998	502 / 86999

MATERIALS: Rollers in acetal white colour; modules in reinforced polyamide black colour; support pins in stainless steel; metal profile in zinc plated steel or stainless steel AISI 304.

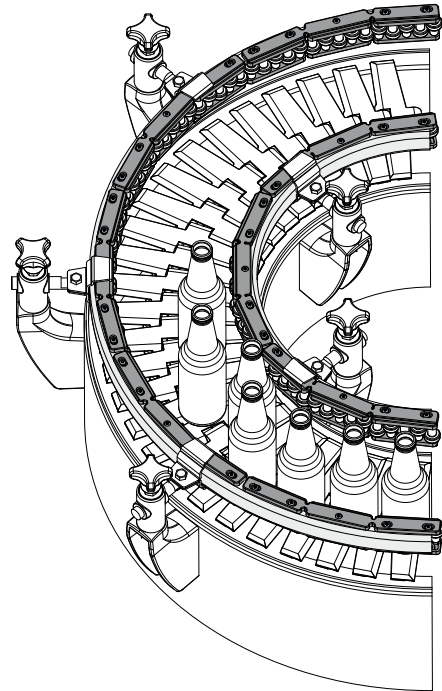
FEATURES: Supplied already assembled. To be used with the guide rail clamp Part.521. Min. curvature radius: ext = 800 mm; int. = 500 mm.

BOX QUANTITY: 2 pieces.

ON REQUEST:

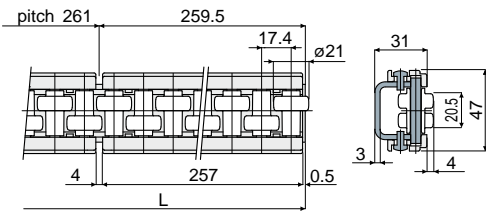
- Module and rollers: In different colours.

Example of application



Part. 501

Roller side guide with round rollers (single type, rectilinear)



L (mm)	Metal profile in zinc plated steel Code	Metal profile in stainless steel AISI 304 Code
1041	501 / 86984	501 / 86985
2085	501 / 86982	501 / 86983
3129	501 / 86980	501 / 86981

MATERIALS: Rollers in acetal white colour; modules in reinforced polyamide black colour; support pins in stainless steel; metal profile in zinc plated steel or stainless steel AISI 304.

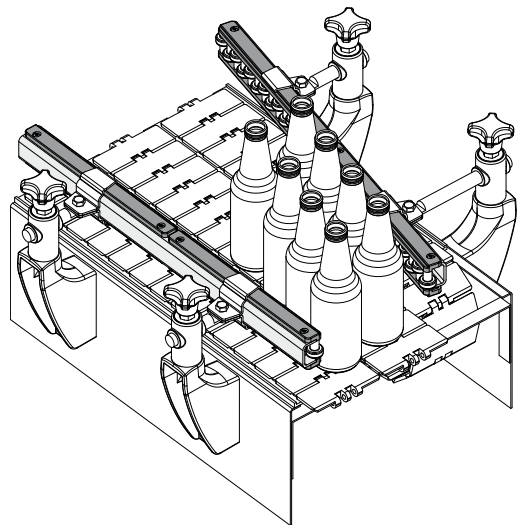
FEATURES: Supplied already assembled. To be used with the guide rail clamp Part.521.

BOX QUANTITY: 2 pieces.

ON REQUEST:

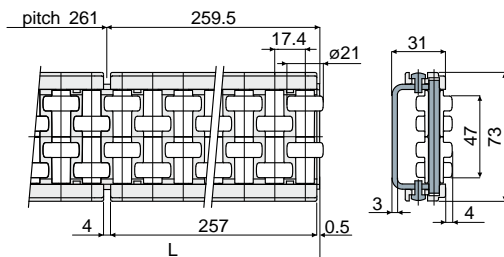
- Module and rollers: In different colours.

Example of application



Part. 501

Roller side guide with round rollers (double type, rectilinear)



L (mm)	Metal profile in zinc plated steel Code	Metal profile in stainless steel AISI 304 Code
1041	501 / 86990	501 / 86991
2085	501 / 86988	501 / 86989
3129	501 / 86986	501 / 86987

MATERIALS: Rollers in acetal white colour; modules in reinforced polyamide black colour; support pins in stainless steel; metal profile in zinc plated steel or stainless steel AISI 304.

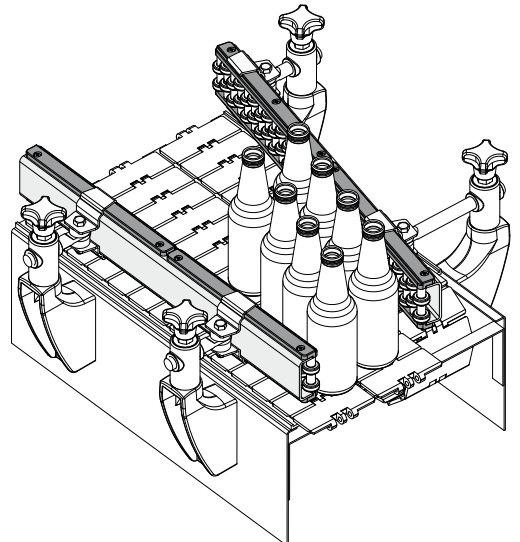
FEATURES: Supplied already assembled. To be used with the guide rail clamp Part.521.

BOX QUANTITY: 2 pieces.

ON REQUEST:

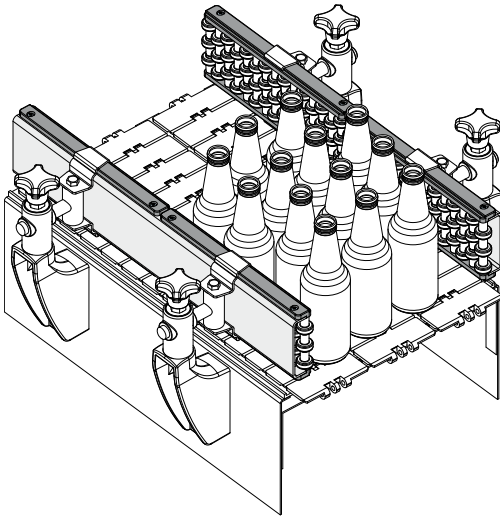
- Module and rollers: In different colours.

Example of application



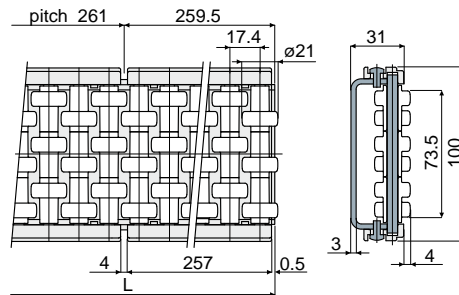
Product guides and accessories

Example of application



Roller side guide with round rollers (triple type, rectilinear)

Part. **501**



L (mm)	Metal profile in zinc plated steel Code	Metal profile in stainless steel AISI 304 Code
1041	501 / 86996	501 / 86997
2085	501 / 86994	501 / 86995
3129	501 / 86992	501 / 86993

MATERIALS: Rollers in acetal white colour; modules in reinforced polyamide black colour; support pins in stainless steel; metal profile in zinc plated steel or stainless steel AISI 304.

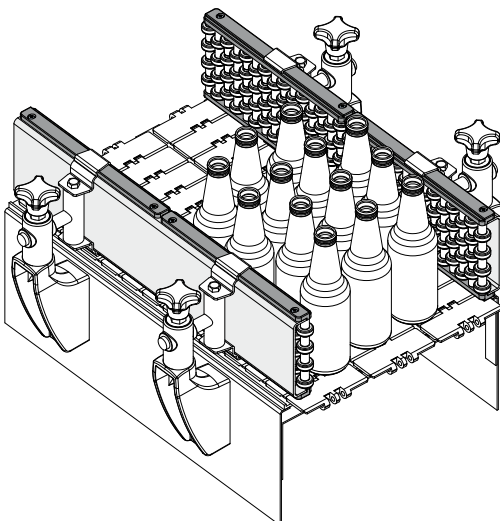
FEATURES: Supplied already assembled. To be used with the guide rail clamp Part.521.

BOX QUANTITY: 2 pieces.

ON REQUEST:

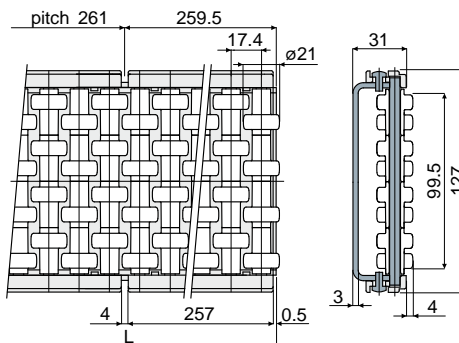
- Module and rollers: In different colours.

Example of application



Roller side guide with round rollers (quadruple type, rectilinear)

Part. **501**



L (mm)	Metal profile in zinc plated steel Code	Metal profile in stainless steel AISI 304 Code
1041	501 / 87828	501 / 87827
2085	501 / 87830	501 / 87829
3129	501 / 87414	501 / 87415

MATERIALS: Rollers in acetal white colour; modules in reinforced polyamide black colour; support pins in stainless steel; metal profile in zinc plated steel or stainless steel AISI 304.

FEATURES: Supplied already assembled. To be used with the guide rail clamp Part.521.

BOX QUANTITY: 2 pieces.

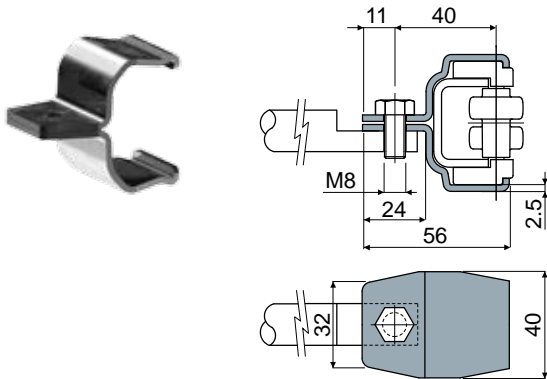
ON REQUEST:

- Module and rollers: In different colours.

Guide rail clamps

Part. 521

Guide rail clamp (for Part.501, 502)



Material	Code
Zinc plated steel	521 / 87310
Stainless steel AISI 304	521 / 87311

MATERIALS: Clamp made in zinc plated steel or in stainless steel AISI 304.

FEATURES: To be used with Part.501, 502. If mounted on double, triple or quadruple type side guides, use a suitable spacer (see drawing opposite).

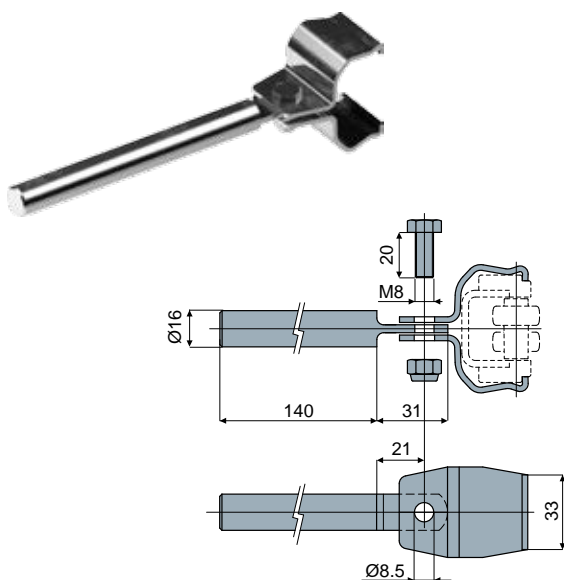
BOX QUANTITY: 24 pieces.

ON REQUEST:

- Box quantity: According to your request.

Part. 548

Clamp kit for guide rail (single type, rectilinear and curvilinear)



Material	Code
Zinc plated steel	548 / 90440
Stainless steel AISI 304	548 / 90441

MATERIALS: Pin, clamp, nut and screw in zinc plated steel or stainless steel AISI 304.

FEATURES: To be used with side guides Part.501, 502.

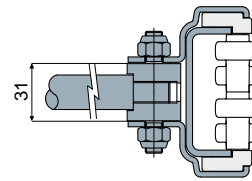
BOX QUANTITY: 8 pieces.

ON REQUEST:

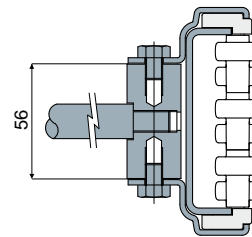
- Box quantity: According to your request.

Example of applications

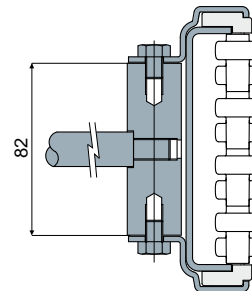
Double type side guide



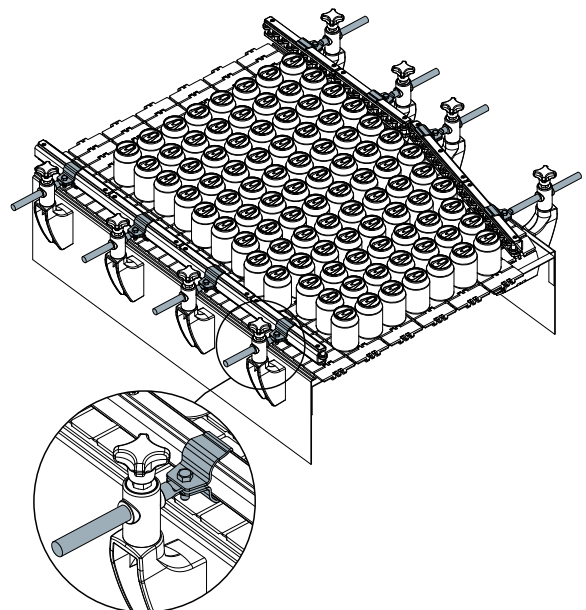
Triple type side guide



Quadruple type side guide

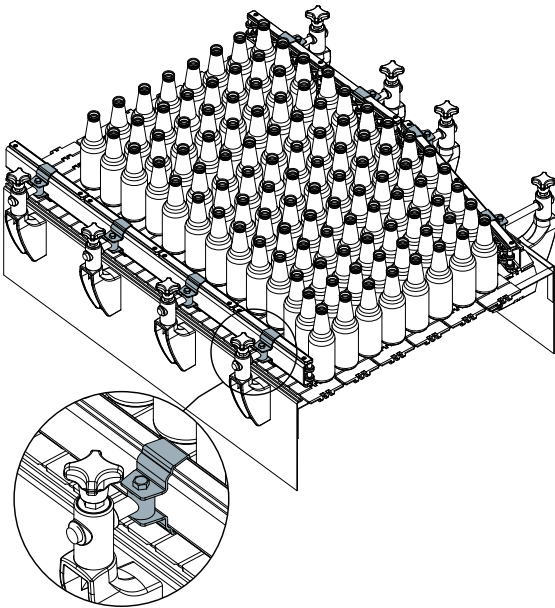


For heavy loads

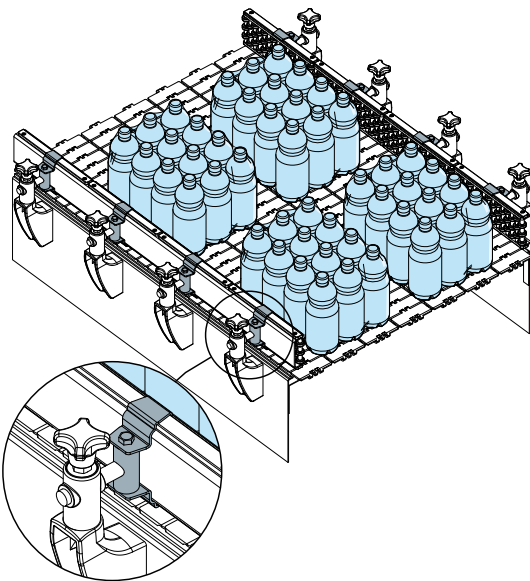


Guide rail clamps

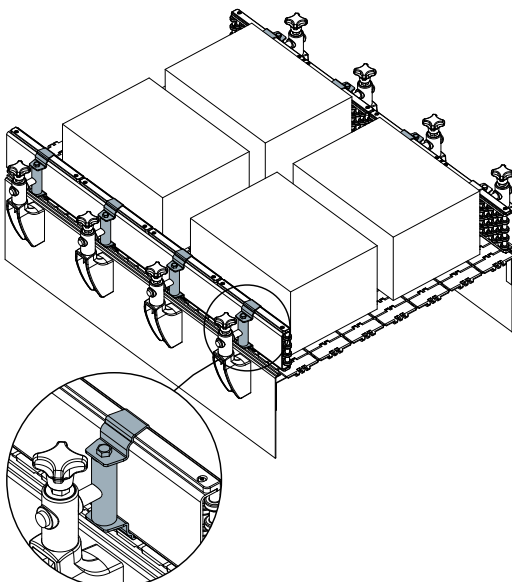
For heavy loads



For heavy loads

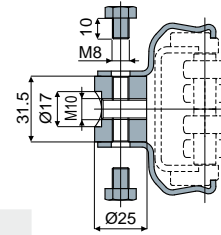


For heavy loads



Clamp kit for guide rail (double type, rectilinear)

Part. **548**



Material	Code
Zinc plated steel	548 / 90442
Stainless steel AISI 304	548 / 90443

MATERIALS: Clamp, screws and spacer in zinc plated steel or stainless steel AISI 304.

FEATURES: To be used with side guides Part.501. It can be used with our pin Part.301 Type 2.

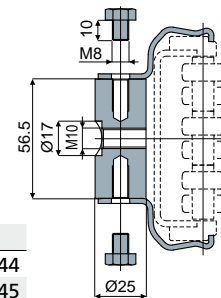
BOX QUANTITY: 8 pieces.

ON REQUEST:

- Box quantity: According to your request.

Clamp kit for guide rail (triple type, rectilinear)

Part. **548**



Material	Code
Zinc plated steel	548 / 90444
Stainless steel AISI 304	548 / 90445

MATERIALS: Clamp, screws and spacer in zinc plated steel or stainless steel AISI 304.

FEATURES: To be used with side guides Part.501. It can be used with our pin Part.301 Type 2.

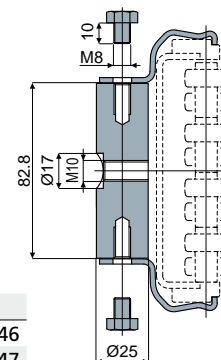
BOX QUANTITY: 8 pieces.

ON REQUEST:

- Box quantity: According to your request.

Clamp kit for guide rail (quadruple type, rectilinear)

Part. **548**



Material	Code
Zinc plated steel	548 / 90446
Stainless steel AISI 304	548 / 90447

MATERIALS: Clamp, screws and spacer in zinc plated steel or stainless steel AISI 304.

FEATURES: To be used with side guides Part.501. It can be used with our pin Part.301 Type 2.

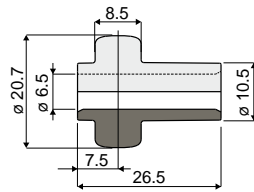
BOX QUANTITY: 8 pieces.

ON REQUEST:

- Box quantity: According to your request.

Product guides and accessories

Part. 500 Roller for roller guides (for Part. 501, 502)

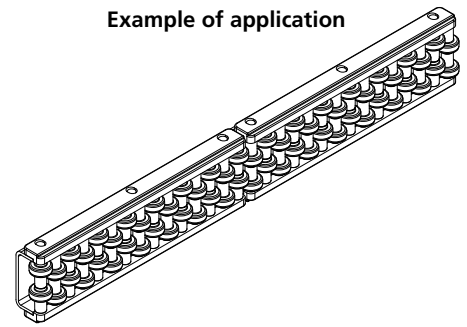


Code
500 / 86215

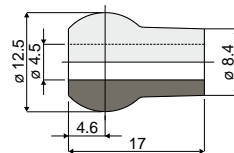
MATERIALS: Roller made of acetal, white colour.
BOX QUANTITY: 480 pieces.
ON REQUEST:

- Rollers: In different colours.
- Box quantity: According to your request.

Example of application



Part. 393 Roller for roller guides (for Part. 306, 307, 308, 319, 345, 423, 448, 451)

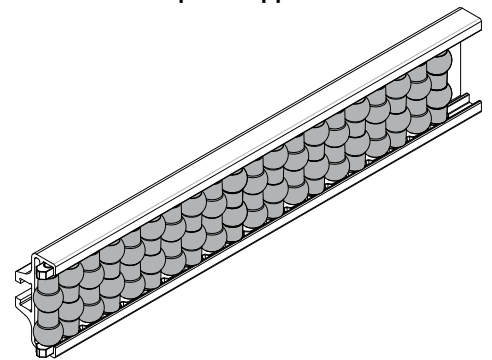


Code
393 / 84182

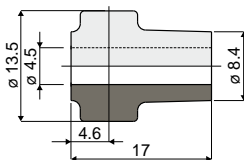
MATERIALS: Roller made of polyethylene, grey colour.
BOX QUANTITY: 480 pieces.
ON REQUEST:

- Rollers: In different colours.
- Box quantity: According to your request.

Example of application



Part. 394 Roller for roller guides (for Part. 344, 355, 356, 357, 358, 421, 450, 453)

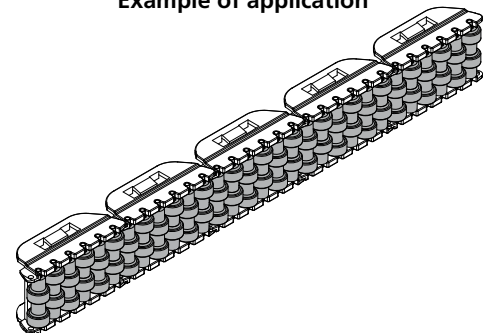


Code
394 / 84183

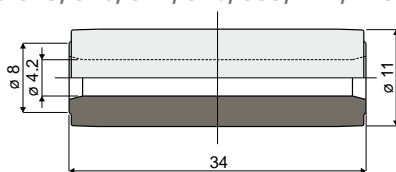
MATERIALS: Roller made of polyethylene, grey colour.
BOX QUANTITY: 480 pieces.
ON REQUEST:

- Rollers: In different colours.
- Box quantity: According to your request.

Example of application



Part. 395 Roller for roller guides (for Part. 325, 326, 327, 328, 339, 422, 449, 452)

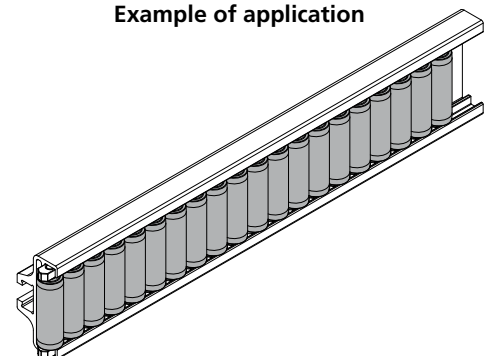


Code
395 / 84185

MATERIALS: Roller made of polyethylene, grey colour.
BOX QUANTITY: 480 pieces.
ON REQUEST:

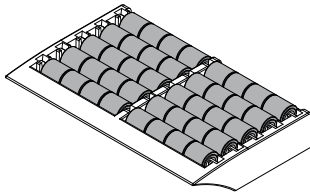
- Rollers: In different colours.
- Box quantity: According to your request.

Example of application



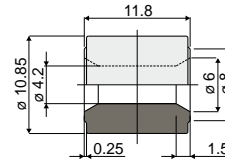
Product guides and accessories

Example of application



Roller for transfer plates

(for Part. 257, 258, 259, 260, 261, 262, 416, 417, 430, 431, 432, 433)



Part. 388

Code
388 / 84131

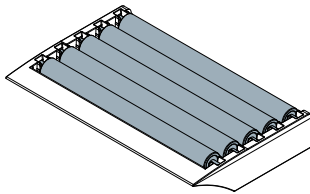
MATERIALS: Roller made of polyethylene, grey colour.

BOX QUANTITY: 480 pieces.

ON REQUEST:

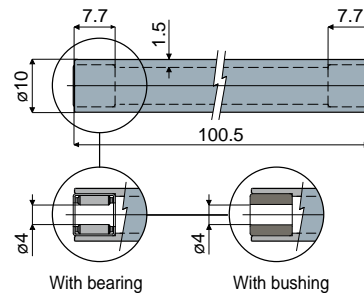
- Rollers: In different colours.
- Box quantity: According to your request.

Example of application



Roller for transfer plates

(for Part.257, 258, 259, 417, 430, 431)



Part. 544

Rollers made of stainless steel AISI 304	
With bearings	With bushings
Code	Code
544 / 90406	544 / 90408

MATERIALS: Roller made of stainless steel AISI 304; bearings made of chrome steel; bushings made of auto-lubricating polyamide.

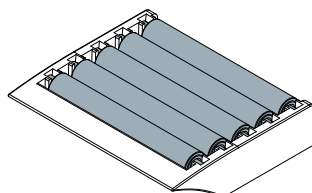
FEATURES: Available with bearings made of chrome steel or with bushings made of auto-lubricating polyamide.

BOX QUANTITY: 96 pieces.

ON REQUEST:

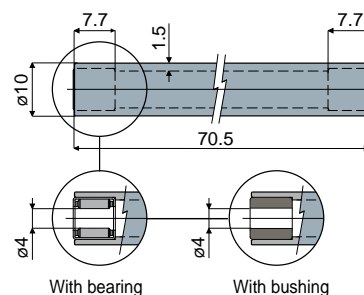
- Box quantity: According to your request.

Example of application



Roller for transfer plates

(for Part.260, 261, 262, 416, 432, 433)



Part. 545

Rollers made of stainless steel AISI 304	
With bearings	With bushings
Code	Code
545 / 90409	545 / 90410

MATERIALS: Roller made of stainless steel AISI 304; bearings made of chrome steel; bushings made of auto-lubricating polyamide.

FEATURES: Available with bearings made of chrome steel or with bushings made of auto-lubricating polyamide.

BOX QUANTITY: 96 pieces.

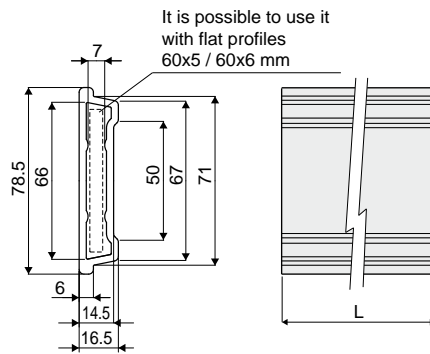
ON REQUEST:

- Box quantity: According to your request.

Product guides and accessories

Part. 463

Guide profile



Code	Colour	L
463 / 85552	Black	3 Mt.
463 / 87562	Black	6 Mt.
463 / 87563	Blue Ral 5005	3 Mt.
463 / 87564	Blue Ral 5005	6 Mt.

MATERIALS: Profile made of HD polyethylene black or blue Ral 5005 colour.

FEATURES: Supplied in bars of 3 or 6 meters length. To be mounted with rail clamps Part.427, 434 and with the connecting joint Part.511. Min. curvature radius: 200 mm.

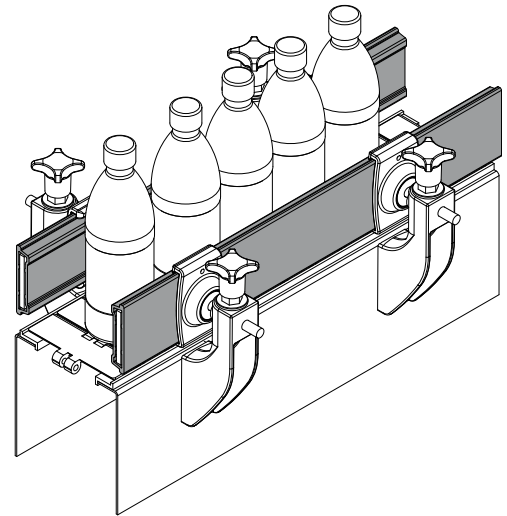
BOX QUANTITY:

- 3 Mt. lengths version: This item is sold in Mt. - Min. 6 Mt. (2 lengths);
- 6 Mt. lengths version: This item is sold in Mt. - Min. 12 Mt. (2 lengths).

ON REQUEST:

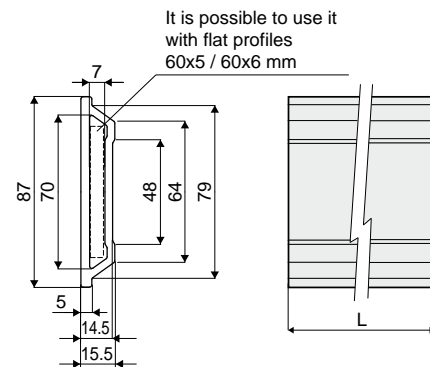
- Profiles: In HD polyethylene blue RAL 5005 FDA APPROVED.
- Box quantity: According to your request.

Example of application



Part. 528

Guide profile



Code	Colour	L
528 / 87565	Black	3 Mt.
528 / 87566	Black	6 Mt.
528 / 87567	Blue Ral 5005	3 Mt.
528 / 87568	Blue Ral 5005	6 Mt.

MATERIALS: Profile made of HD polyethylene black or blue Ral 5005 colour.

FEATURES: Supplied in bars of 3 or 6 meters length. To be mounted with rail clamp Part.531. Min. curvature radius: 200 mm.

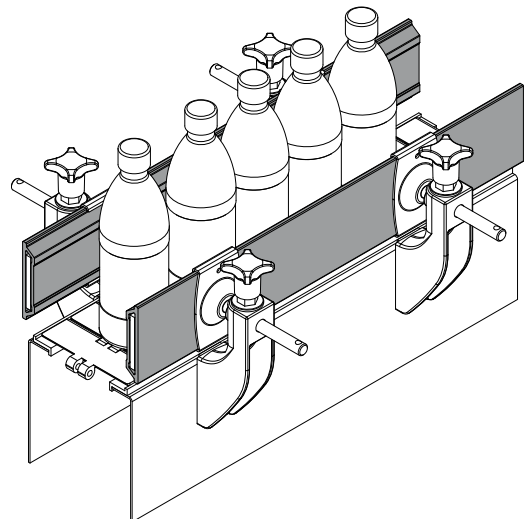
BOX QUANTITY:

- 3 Mt. lengths version: This item is sold in Mt. - Min. 6 Mt. (2 lengths);
- 6 Mt. lengths version: This item is sold in Mt. - Min. 12 Mt. (2 lengths).

ON REQUEST:

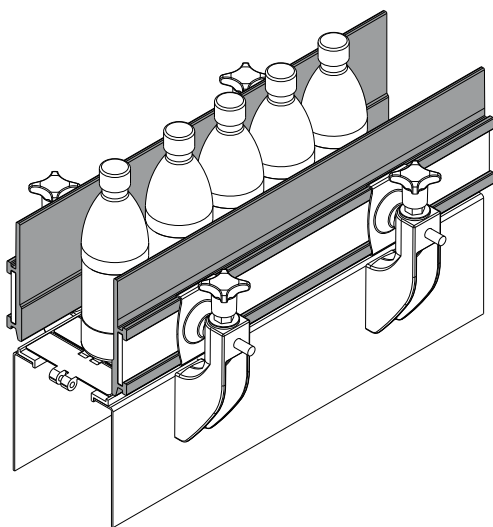
- Profiles: In HD polyethylene blue RAL 5005 FDA APPROVED.
- Box quantity: According to your request.

Example of application

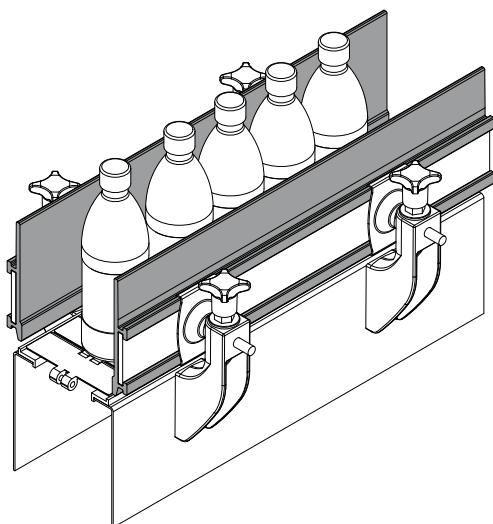


Product guides and accessories

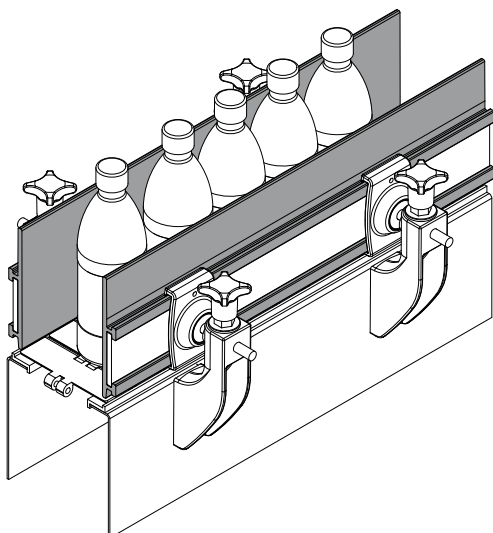
Example of application



Example of application

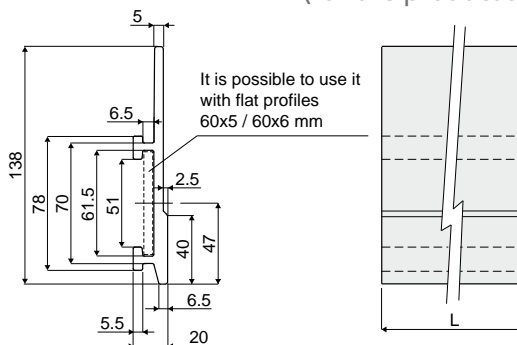


Example of application



Profile (for the product side guide)

Part. 426

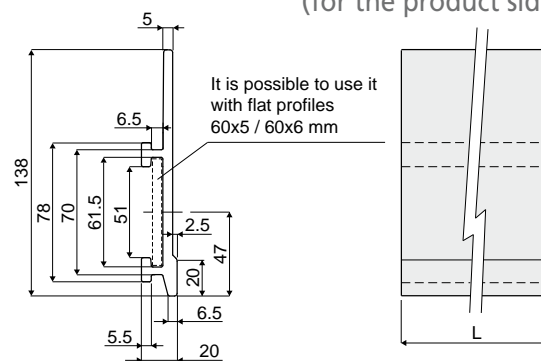


Code	Colour	L
426 / 84994	Black	3 Mt.
426 / 84995	Black	6 Mt.
426 / 84996	Blue Ral 5005	3 Mt.
426 / 84997	Blue Ral 5005	6 Mt.

MATERIALS: Profile in HMWPE black or blue Ral 5005 colour.
FEATURES: Supplied in lengths of 3 or 6 Mt. Min. curvature radius: 200 mm. To be assembled with clamps Part. 427, 434.
BOX QUANTITY:
 • 3 Mt. lengths version: This item is sold in Mt. - Min. 6 Mt. (2 lengths);
 • 6 Mt. lengths version: This item is sold in Mt. - Min. 12 Mt. (2 lengths).
ON REQUEST:
 • Profiles: In HMWPE blue RAL 5005 FDA APPROVED.
 • Box quantity: According to your request.

Profile (for the product side guide)

Part. 425

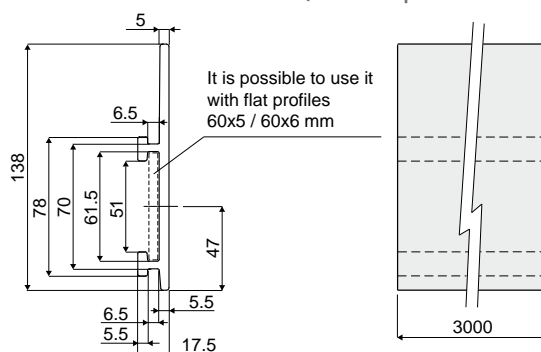


Code	Colour	L
425 / 84998	Black	3 Mt.
425 / 84999	Black	6 Mt.
425 / 85000	Blue RAL 5005	3 Mt.
425 / 85001	Blue RAL 5005	6 Mt.

MATERIALS: Profile in HMWPE black or blue Ral 5005 colour.
FEATURES: Supplied in lengths of 3 or 6 Mt. Min. curvature radius: 200 mm. To be assembled with clamps Part. 427, 434.
BOX QUANTITY:
 • 3 Mt. lengths version: This item is sold in Mt. - Min. 6 Mt. (2 lengths);
 • 6 Mt. lengths version: This item is sold in Mt. - Min. 12 Mt. (2 lengths).
ON REQUEST:
 • Profiles: In HMWPE blue RAL 5005 FDA APPROVED.
 • Box quantity: According to your request.

Profile (for the product side guide)

Part. 518



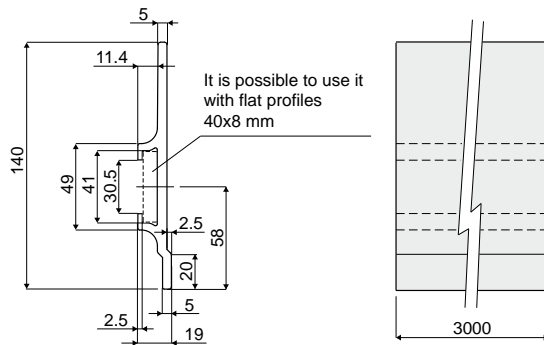
Code
518 / 87252

MATERIALS: Profile in HMWPE black colour.
FEATURES: Supplied in lengths of 3 Mt. Min. curvature radius: 200 mm. To be assembled with clamps Part. 427, 434.
BOX QUANTITY: This item is sold in Mt. - min. 6 Mt. (2 pieces).
ON REQUEST:
 • Profiles: In HMWPE blue Ral 5005; in HMWPE blue RAL 5005 FDA APPROVED.
 • Box quantity: According to your request.

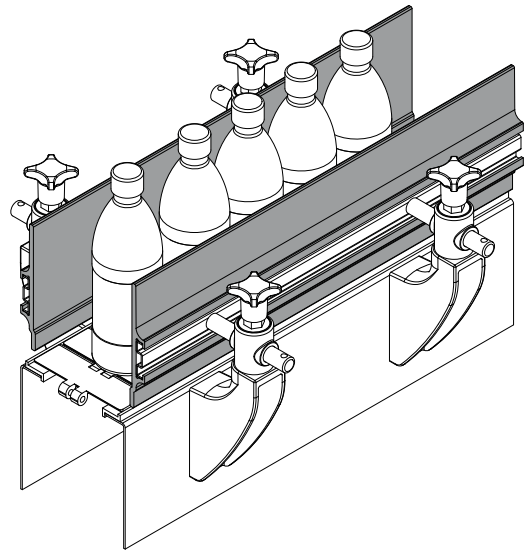
Product guides and accessories

Part. 536

Profile
(for the product side guide)



Example of application



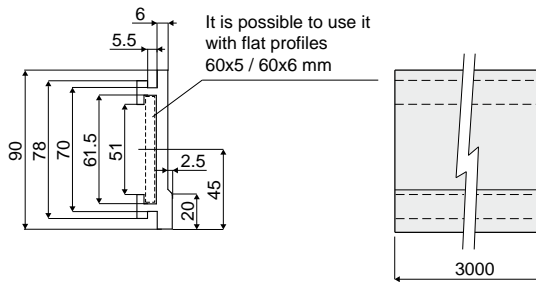
Code
536 / 88699

MATERIALS: Profile in HMWPE black colour.
FEATURES: Supplied in lengths of 3 Mt. To be assembled with profiles Part.330, 375.
BOX QUANTITY: This item is sold in Mt. - min. 6 Mt (2 pieces).
ON REQUEST:

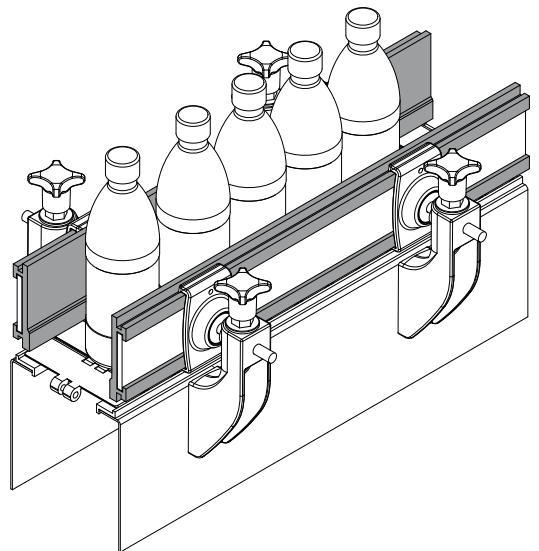
- Profiles: In HMWPE blue Ral 5005; in HMWPE blue RAL 5005 FDA APPROVED.
- Box quantity: According to your request.

Part. 515

Profile
(for the product side guide)



Example of application



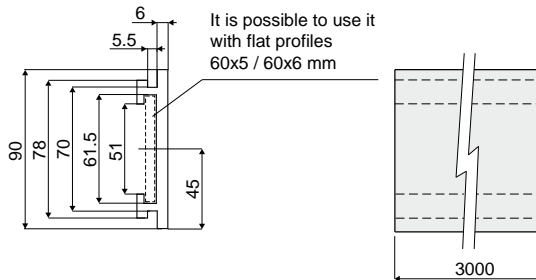
Code
515 / 87156

MATERIALS: Profile in HMWPE black colour.
FEATURES: Supplied in lengths of 3 Mt. Min. curvature radius: 200 mm. To be assembled with clamps Part. 427, 434.
BOX QUANTITY: This item is sold in Mt. - min. 6 Mt. (2 pieces).
ON REQUEST:

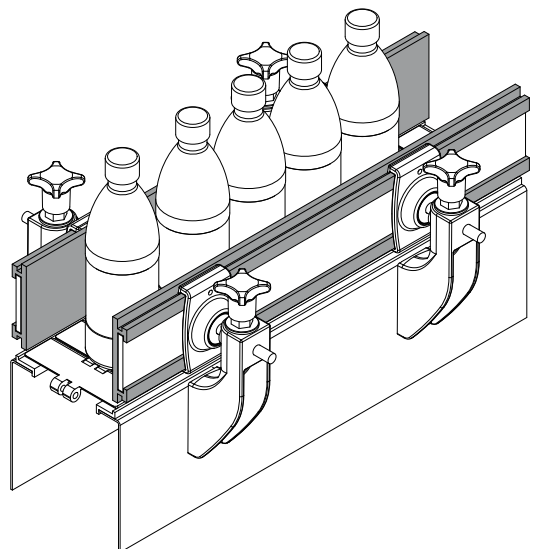
- Profiles: In HMWPE blue Ral 5005; in HMWPE blue RAL 5005 FDA APPROVED.
- Box quantity: According to your request.

Part. 534

Profile
(for the product side guide)



Example of application



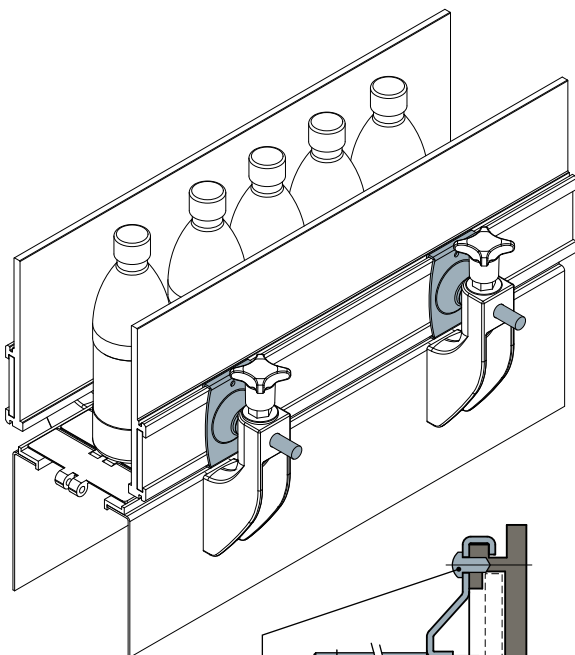
Code	Colour
534 / 88678	Black
534 / 89074	Blue Ral 5005

MATERIALS: Profile in HMWPE black or blue Ral 5005 colour.
FEATURES: Supplied in lengths of 3 Mt. Min. curvature radius: 200 mm. To be assembled with clamps Part. 427, 434.
BOX QUANTITY: This item is sold in Mt. - min. 6 Mt. (2 pieces).
ON REQUEST:

- Profiles: In HMWPE blue RAL 5005 FDA APPROVED.
- Box quantity: According to your request.

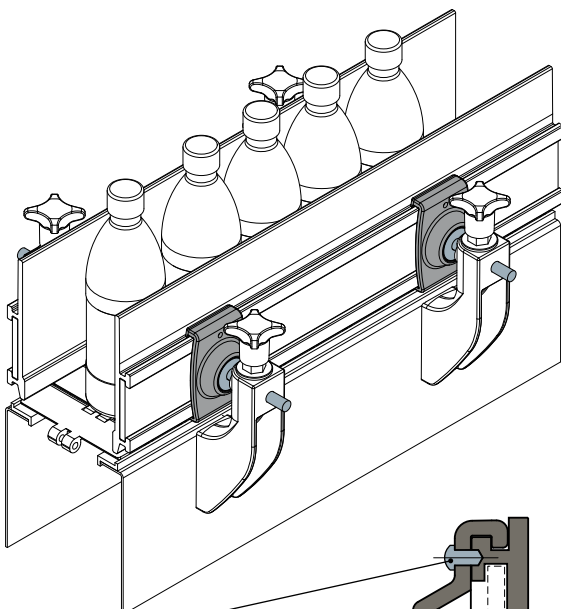
Guide rail clamps

Example of application



it is possible to fix the clamp to the plastic profile by using a self-tapping screw 4,8x9,5 DIN7981

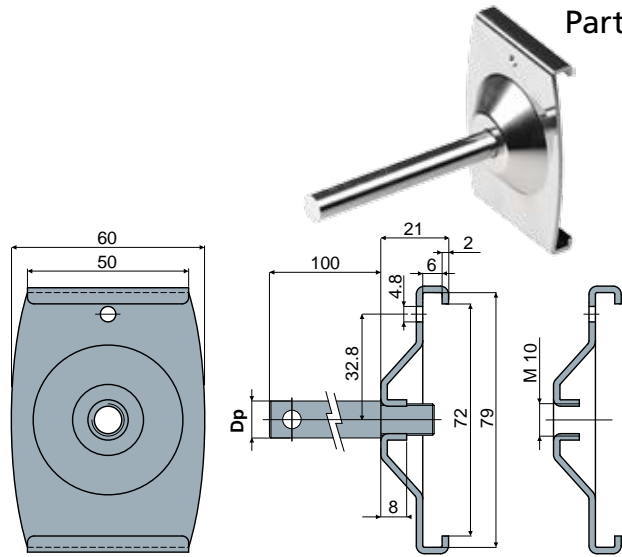
Example of application



it is possible to fix the clamp to the plastic profile by using a self-tapping screw 4,8x9,5 DIN7981

Guide rail clamp

Part. **427**



Dp Pin diameter (mm)	With pin	Without pin
	Code	Code
12	427 / 85097	
14	427 / 85098	427 / 85009
16	427 / 85099	

MATERIALS: Clamp, threaded pin, washer and nut in stainless steel AISI 304.

FEATURES: Supplied with or without pin. To be used with side guides Part. 425, 426, 463, 515, 518, 534.

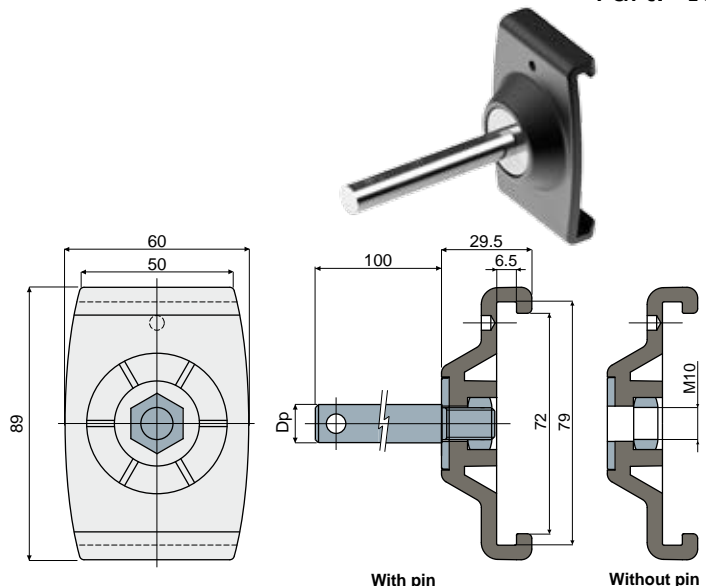
BOX QUANTITY: 24 pieces.

ON REQUEST:

- Assembling of: Pins, washers and nuts.
- Box quantity: According to your request.

Guide rail clamp

Part. **434**



Dp Pin diameter (mm)	With pin	Without pin
	Code	Code
12	434 / 85093	
14	434 / 85094	434 / 85100
16	434 / 85095	

MATERIALS: Clamp is made of reinforced polyamide; threaded pin, washer and nut in stainless steel AISI 304.

FEATURES: Supplied with or without pin. To be used with side guides Part. 425, 426, 463, 515, 518, 534.

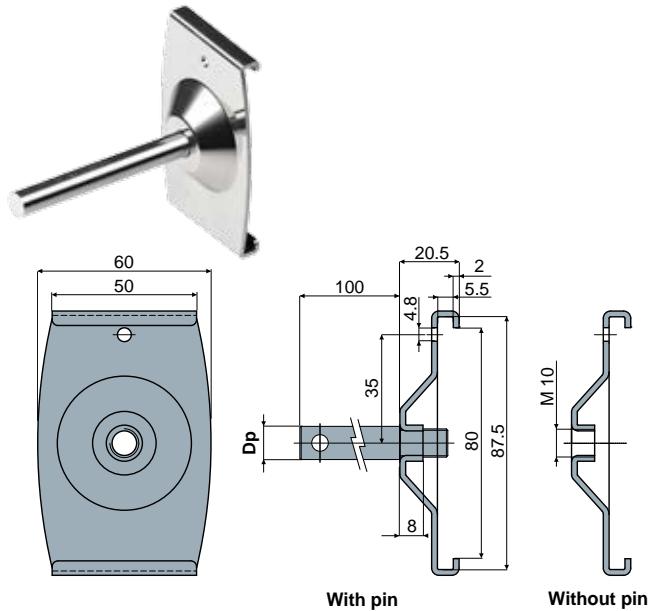
BOX QUANTITY: 8 pieces.

ON REQUEST:

- Clamps: In different colours.
- Assembling of: Pins, washers and nuts.
- Box quantity: According to your request.

Guide rail clamps

Part. 531 Guide rail clamp

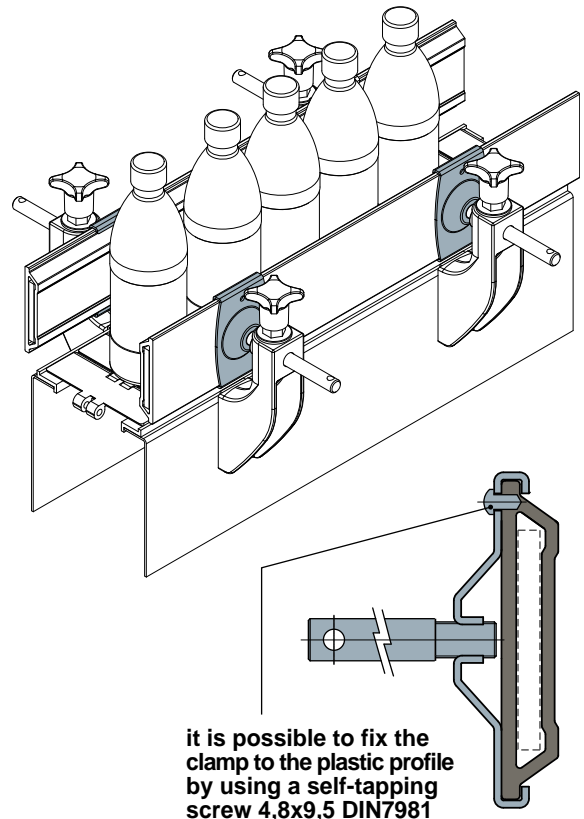


Dp Pin diameter (mm)	With pin Code	Without pin Code
12	531 / 87758	
14	531 / 87759	531 / 87761
16	531 / 87760	

MATERIALS: Clamp, threaded pin, washer and nut in stainless steel AISI 304.
FEATURES: Supplied with or without pin. To be used with side guide Part. 528.
BOX QUANTITY: 24 pieces.
ON REQUEST:

- Assembling of: Pins, washers and nuts.
- Box quantity: According to your request.

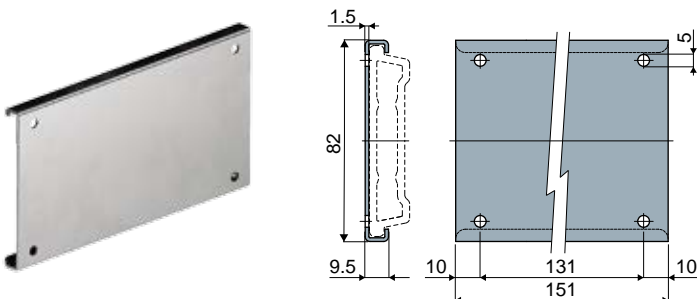
Example of application



it is possible to fix the clamp to the plastic profile by using a self-tapping screw 4,8x9,5 DIN7981

Product guides and accessories

Part. 511 Connecting joint (for Part.463)

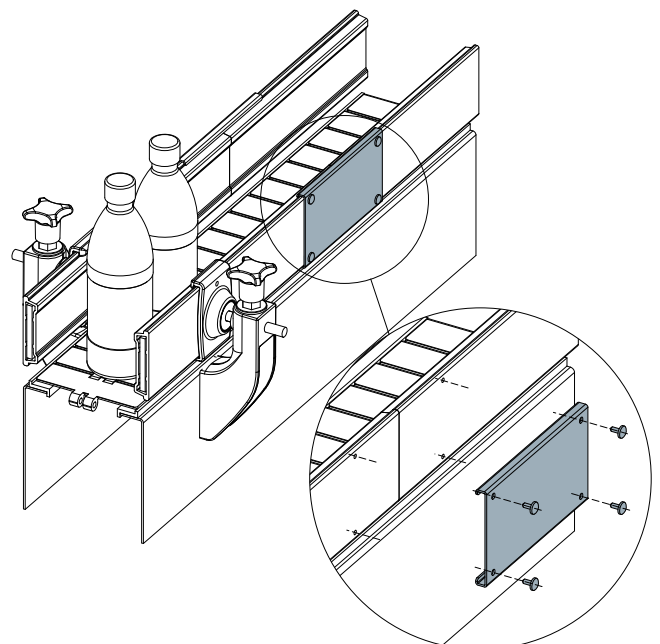


Code
511 / 87044

MATERIALS: Joint and screws made of stainless steel AISI 304.
FEATURES: To be used for connecting the profiles Part.463.
BOX QUANTITY: 8 pieces.
ON REQUEST:

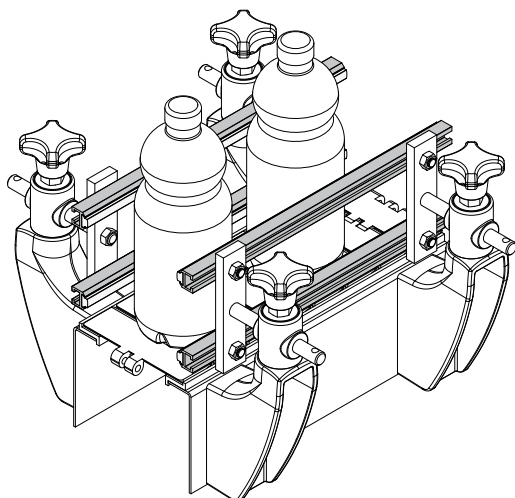
- Box quantity: According to your request.

Example of application



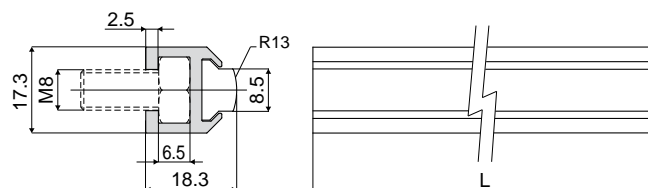
Product guides and accessories

Example of application



Guide rail (semicircular)

Part. **438**



Code	L
438 / 85237	3 Mt.
438 / 85238	6 Mt.

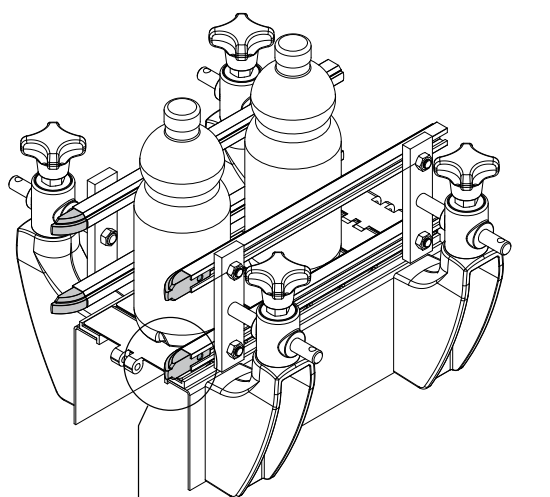
MATERIALS: Guide profile in natural polyethylene, metal profile in anodized aluminium.
FEATURES: Min. curvature radius: 110 mm. Can be used with Part.318, 437 and 595.

BOX QUANTITY:

- 3 Mt. lengths version: This item is sold in Mt. - Min. 6 Mt. (2 lengths);
- 6 Mt. lengths version: This item is sold in Mt. - Min. 12 Mt. (2 lengths).

ON REQUEST:

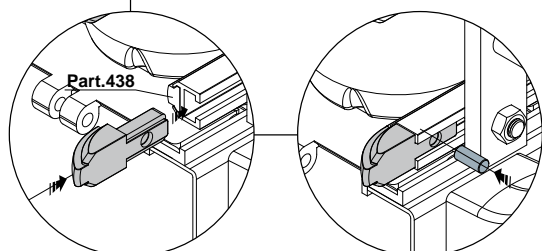
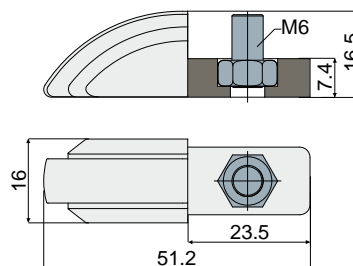
- Box quantity: According to your request.



Shoe for containment profile (for Part.438)

Part. **595**

NEW



Example of application

Code
595 / 91169

MATERIALS: Shoe in grey polyamide; nut in zinc-plated steel; grub screw in phosphated steel.

FEATURES: For application to the ends of Part. 438 profiles.

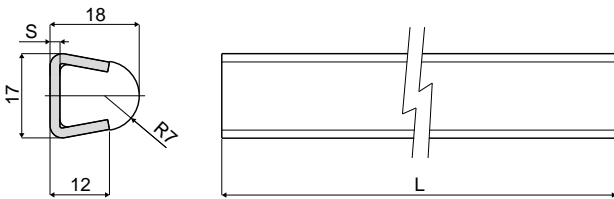
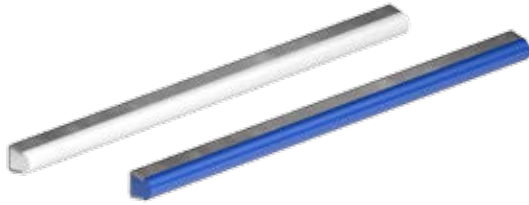
BOX QUANTITY: 24 pieces.

ON REQUEST:

- Box quantity: According to your request.

Product guides and accessories

Part. **354** Guide rail (round) (with metal profile)



Code	Colour	S	L
354 / 84198	Polyethylene natural	1,5	6 Mt.
354 / 84199	Polyethylene natural	1,5	3 Mt.
354 / 83442	Polyethylene natural	2	6 Mt.
354 / 83626	Polyethylene natural	2	3 Mt.
354 / 85484	Blue RAL 5005	1,5	6 Mt.
354 / 86726	Blue RAL 5005	1,5	3 Mt.
354 / 85488	Blue RAL 5005	2	6 Mt.
354 / 85486	Blue RAL 5005	2	3 Mt.

MATERIALS: Guide profile in natural polyethylene or blue Ral 5005 colour; metal profile in stainless steel AISI 304.

FEATURES: Supplied already assembled in lengths of 3 or 6 meters. Min. curvature radius: 145 mm. To be used with clamps Part.205, 230, 232, 347, 410, 411, 412, 413, 439, 484.

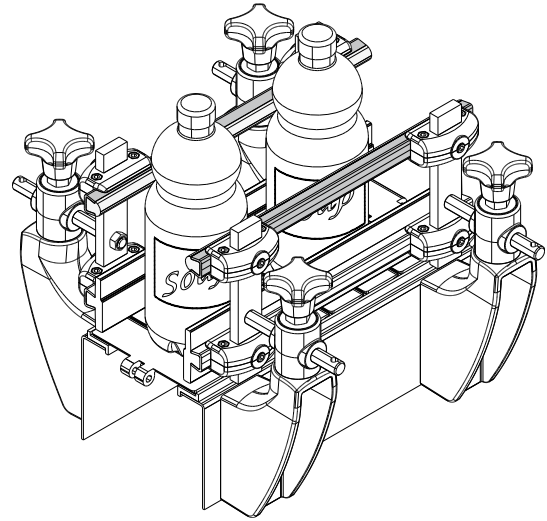
BOX QUANTITY:

- **3 Mt. lengths version:** This item is sold in Mt. - Min. 6 Mt. (2 lengths);
- **6 Mt. lengths version:** This item is sold in Mt. - Min. 12 Mt. (2 lengths).

ON REQUEST:

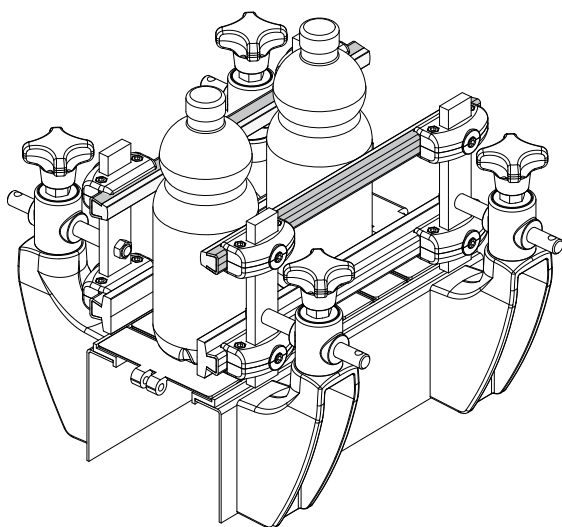
- **Guide profiles:** In polyethylene blue RAL 5005 FDA APPROVED.
- **Box quantity:** According to your request.

Example of application

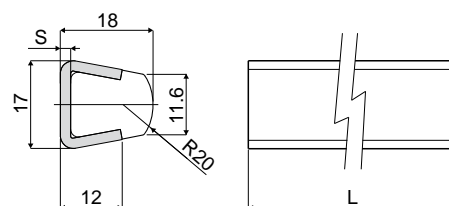


Product guides and accessories

Example of application



Product guide rail Part. 419 (with metal profile)



Code	S	L
419 / 84804	1,5	6 Mt.
419 / 84806	1,5	3 Mt.
419 / 84805	2	6 Mt.
419 / 84807	2	3 Mt.

MATERIALS: Guide profile in natural polyethylene; metal profile in stainless steel AISI 304.

FEATURES: Supplied in lengths of 3 or 6 Mt. Min. curvature radius: 145 mm. To be used with clamps Part.205, 230, 232, 347, 410, 411, 412, 413, 439, 484.

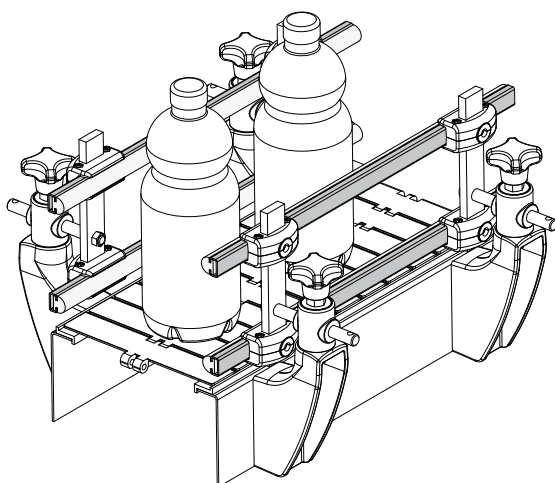
BOX QUANTITY:

- 3 Mt. lengths version: This item is sold in Mt. - Min. 6 Mt. (2 lengths);
- 6 Mt. lengths version: This item is sold in Mt. - Min. 12 Mt. (2 lengths).

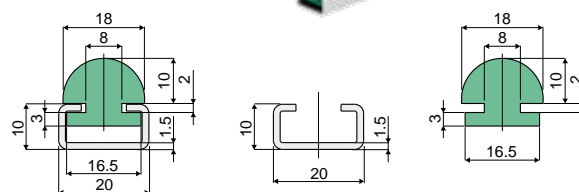
ON REQUEST:

- Box quantity: According to your request.

Example of application



Guide rail (round) Part. 373 (with metal profile)



With profile and guide

Only profile

Only guide

Length	With profile and guide Code
3 Mt.	373 / 83733
6 Mt.	373 / 83735

Length	Only guide Code
3 Mt.	373 / 83882

Length	Only profile Code
3 Mt.	373 / 84303

MATERIALS: Extruded HMWPE green colour, metal profile in stainless steel AISI 304.

FEATURES: Supplied in lengths of 3 or 6 Mt. Min. curvature radius: 145 mm.

BOX QUANTITY:

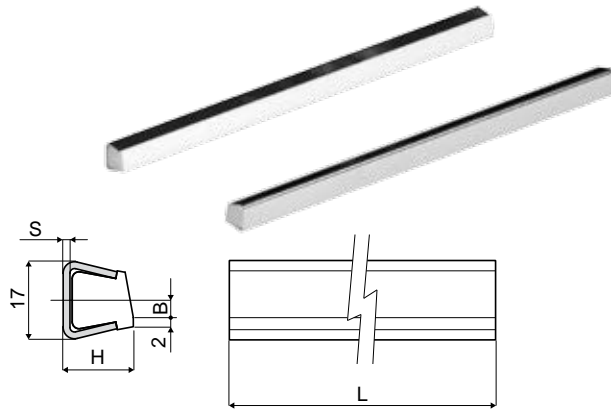
- 3 Mt. lengths version: This item is sold in Mt. - Min. 6 Mt. (2 lengths);
- 6 Mt. lengths version: This item is sold in Mt. - Min. 12 Mt. (2 lengths).

ON REQUEST:

- Box quantity: According to your request.

Product guides and accessories

Part. 551 Label-saving guide



Code	S	H	B	L
551 / 90525	1,5	15,5	3,9	3 Mt.
551 / 90526	1,5	15,5	3,9	6 Mt.
551 / 90527	2	15,5	3,9	3 Mt.
551 / 90528	2	15,5	3,9	6 Mt.
551 / 90529	1,5	17	3,6	3 Mt.
551 / 90530	1,5	17	3,6	6 Mt.
551 / 90531	2	17	3,6	3 Mt.
551 / 90532	2	17	3,6	6 Mt.

MATERIALS: Guide profile in natural polyethylene; metal profile in stainless steel AISI 304.
FEATURES: Supplied in lengths of 3 or 6 Mt. Min. curvature radius: 145 mm. To be used with clamps Part.205, 230, 232, 347, 410, 411, 412, 413, 439, 484.

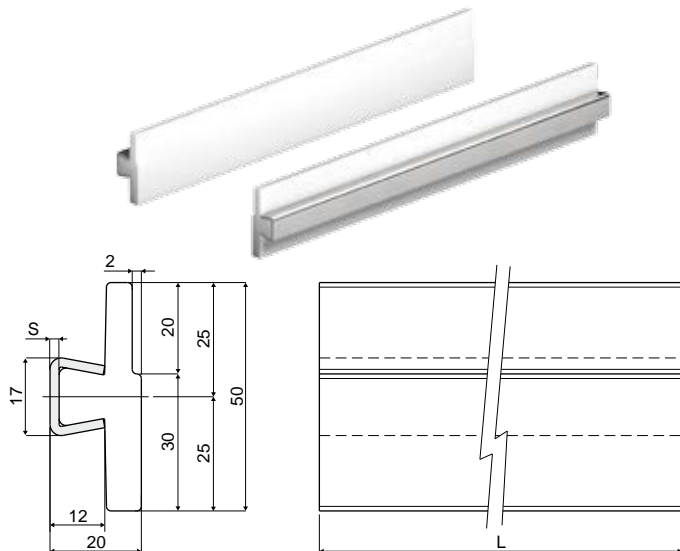
BOX QUANTITY:

- 3 Mt. lengths version: This item is sold in Mt. - Min. 6 Mt. (2 lengths);
- 6 Mt. lengths version: This item is sold in Mt. - Min. 12 Mt. (2 lengths).

ON REQUEST:

- Box quantity: According to your request.

Part. 353 Guide rail (with metal profile)



Code	S	L
353 / 84196	1,5	6 Mt.
353 / 84197	1,5	3 Mt.
353 / 83441	2	6 Mt.
353 / 83881	2	3 Mt.

MATERIALS: Guide profile in natural polyethylene; metal profile in stainless steel AISI 304.
FEATURES: Supplied in lengths of 3 or 6 Mt. Min. curvature radius: 200 mm. To be used with clamps Part.205, 230, 232, 347, 410, 411, 412, 413, 439, 484.

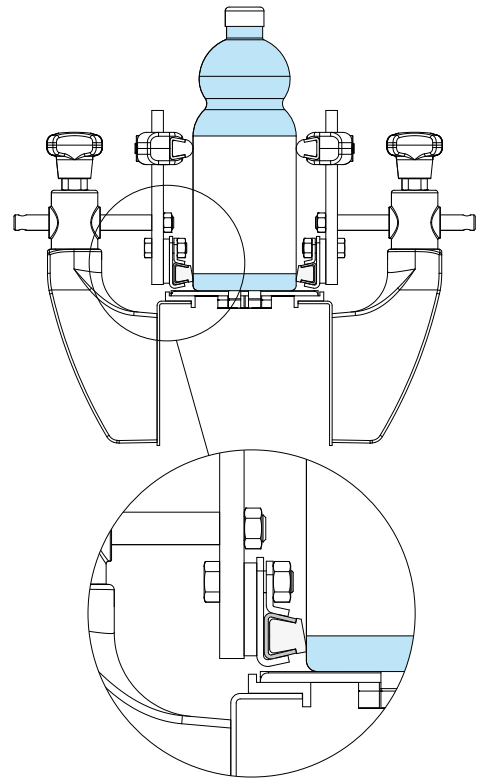
BOX QUANTITY:

- 3 Mt. lengths version: This item is sold in Mt. - Min. 6 Mt. (2 lengths);
- 6 Mt. lengths version: This item is sold in Mt. - Min. 12 Mt. (2 lengths).

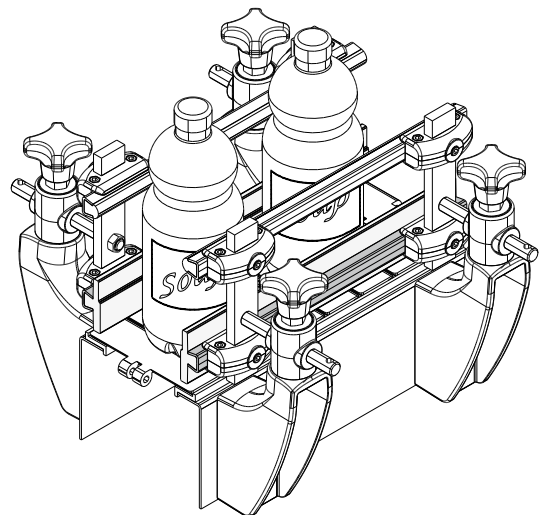
ON REQUEST:

- Box quantity: According to your request.

Example of application

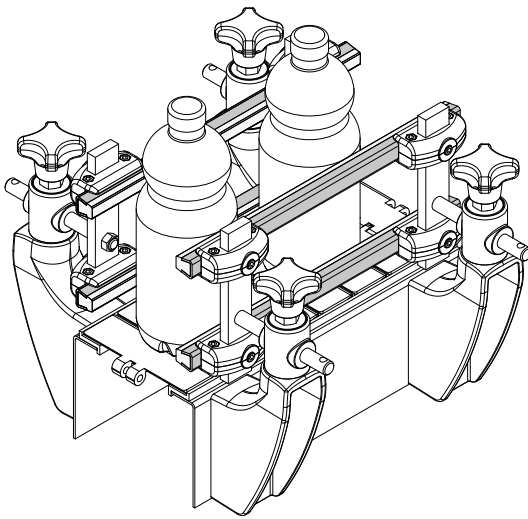


Example of application

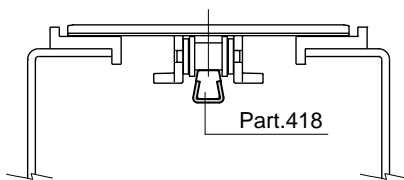


Product / chain guides and accessories

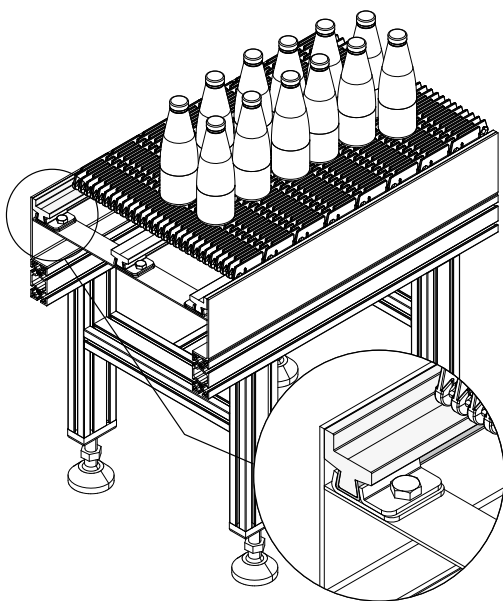
Example of application



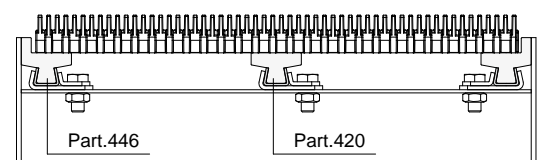
Example of application



Example of application

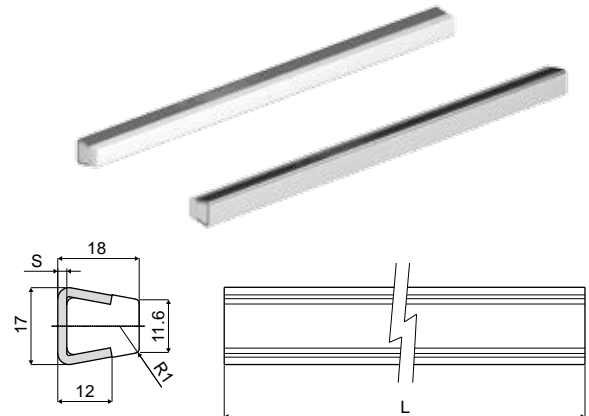


Example of application



Product guide rail (with metal profile)

Part. **418**



Code	S	L
418 / 84800	1,5	6 Mt.
418 / 84802	1,5	3 Mt.
418 / 84801	2	6 Mt.
418 / 84803	2	3 Mt.

MATERIALS: Guide profile in natural polyethylene; metal profile in stainless steel AISI 304.
FEATURES: Supplied in lengths of 3 or 6 Mt. Min. curvature radius: 145 mm. To be used with clamps Part.205, 230, 232, 347, 410, 411, 412, 413, 439, 484.

BOX QUANTITY:

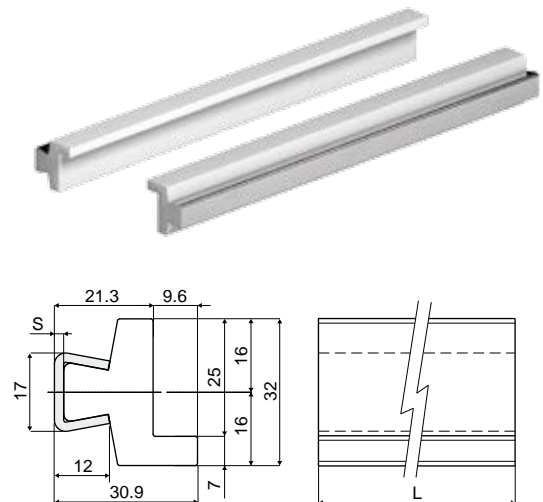
- 3 Mt. lengths version: This item is sold in Mt. - Min. 6 Mt. (2 lengths);
- 6 Mt. lengths version: This item is sold in Mt. - Min. 12 Mt. (2 lengths).

ON REQUEST:

- Box quantity: According to your request.

Chain guide rail (with metal profile)

Part. **446**



Code	S	L
446 / 85355	1,5	6 Mt.
446 / 85356	1,5	3 Mt.
446 / 85358	2	6 Mt.
446 / 85357	2	3 Mt.

MATERIALS: Plastic profile in Polyethylene natural colour; metal profile in stainless steel AISI 304.
FEATURES: Supplied already assembled in lengths of 3 or 6 meters. Min. curvature radius: 200 mm. To be used with clamps Part.205, 230, 232, 347, 410, 411, 412, 413, 439, 484.

BOX QUANTITY:

- 3 Mt. lengths version: This item is sold in Mt. - Min. 6 Mt. (2 lengths);
- 6 Mt. lengths version: This item is sold in Mt. - Min. 12 Mt. (2 lengths).

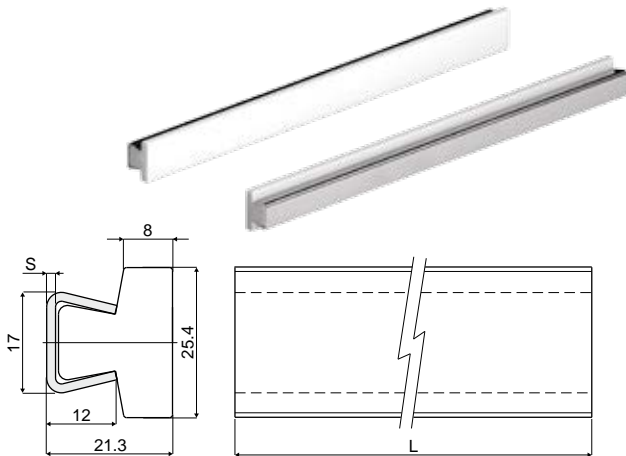
ON REQUEST:

- Box quantity: According to your request.

Product / chain guides and accessories

Part. 469

Side guide rail, flat type (with metal profile)



Code	S	L
469 / 85588	1,5	6 Mt.
469 / 85589	1,5	3 Mt.
469 / 85590	2	6 Mt.
469 / 85591	2	3 Mt.

MATERIALS: Guide profile in natural polyethylene; metal profile in stainless steel AISI 304.

FEATURES: Supplied in lengths of 3 or 6 Mt. Min. curvature radius: 160 mm. To be used with clamps Part.205, 230, 232, 347, 410, 411, 412, 413, 439, 484.

BOX QUANTITY:

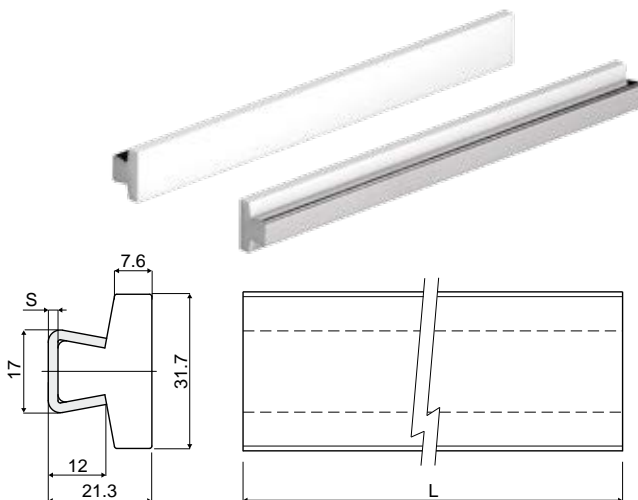
- 3 Mt. lengths version: This item is sold in Mt. - Min. 6 Mt. (2 lengths);
- 6 Mt. lengths version: This item is sold in Mt. - Min. 12 Mt. (2 lengths).

ON REQUEST:

- Box quantity: According to your request.

Part. 420

Side guide rail, flat type (with metal profile)



Code	S	L
420 / 84808	1,5	6 Mt.
420 / 84810	1,5	3 Mt.
420 / 84809	2	6 Mt.
420 / 84811	2	3 Mt.

MATERIALS: Guide profile in natural polyethylene; metal profile in stainless steel AISI 304.

FEATURES: Supplied in lengths of 3 or 6 Mt. Min. curvature radius: 160 mm. To be used with clamps Part.205, 230, 232, 347, 410, 411, 412, 413, 439, 484.

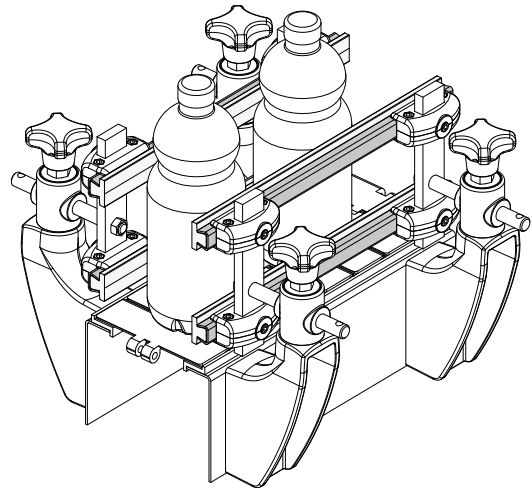
BOX QUANTITY:

- 3 Mt. lengths version: This item is sold in Mt. - Min. 6 Mt. (2 lengths);
- 6 Mt. lengths version: This item is sold in Mt. - Min. 12 Mt. (2 lengths).

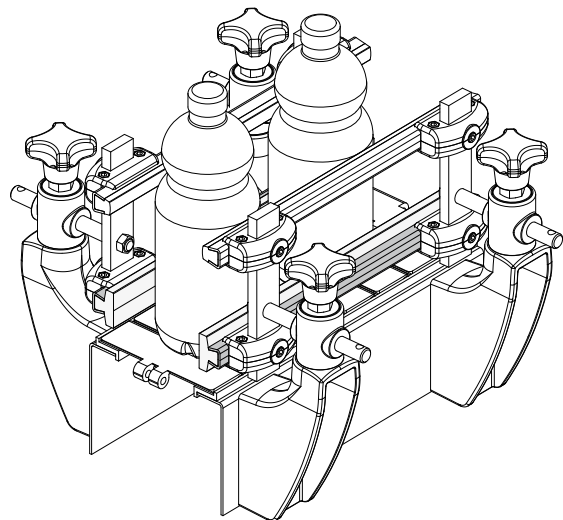
ON REQUEST:

- Box quantity: According to your request.

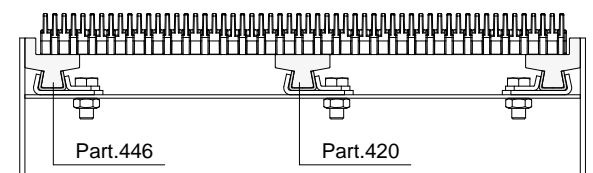
Example of application



Example of application

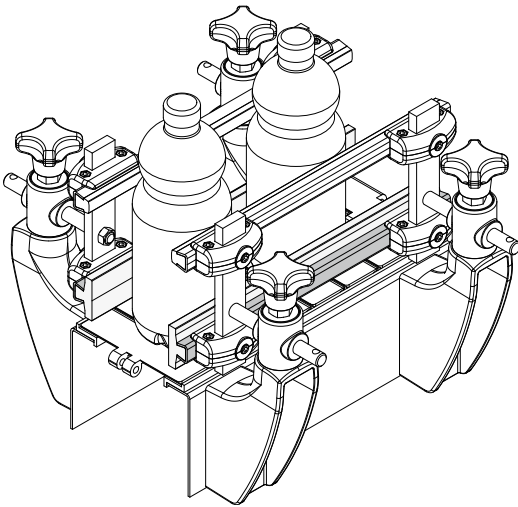


Example of application



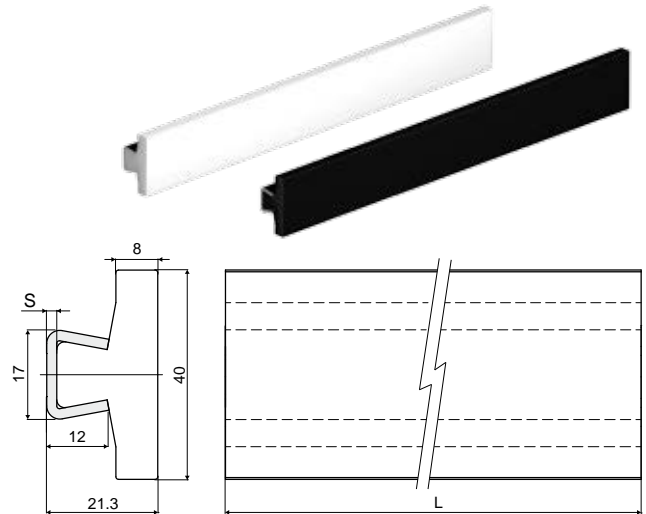
Product / chain guides and accessories

Example of application



Side guide rail, flat type (with metal profile)

Part. **514**



Code	Colour	S	L	Code	Colour	S	L
514 / 87119	Polyethylene natural	1,5	6 Mt.	514 / 90458	Black	1,5	6 Mt.
514 / 87118	Polyethylene natural	1,5	3 Mt.	514 / 88379	Black	1,5	3 Mt.
514 / 87121	Polyethylene natural	2	6 Mt.	514 / 90460	Black	2	6 Mt.
514 / 87120	Polyethylene natural	2	3 Mt.	514 / 90459	Black	2	3 Mt.

MATERIALS: Guide profile in natural polyethylene or black colour; metal profile in stainless steel AISI 304.

FEATURES: Supplied in lengths of 3 or 6 Mt. Min. curvature radius: 200 mm. To be used with clamps Part.205, 230, 232, 347, 410, 411, 412, 413, 439, 484.

BOX QUANTITY:

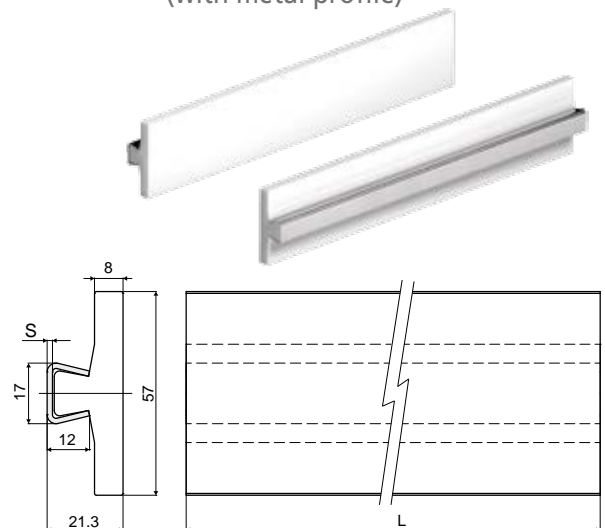
- 3 Mt. lengths version: This item is sold in Mt. - Min. 6 Mt. (2 lengths);
- 6 Mt. lengths version: This item is sold in Mt. - Min. 12 Mt. (2 lengths).

ON REQUEST:

- Box quantity: According to your request.

Side guide rail, flat type (with metal profile)

Part. **485**



Code	S	L
485 / 86163	1,5	6 Mt.
485 / 86164	1,5	3 Mt.
485 / 86165	2	6 Mt.
485 / 86166	2	3 Mt.

MATERIALS: Guide profile in natural polyethylene; metal profile in stainless steel AISI 304.

FEATURES: Supplied in lengths of 3 or 6 Mt. Min. curvature radius: 200 mm. To be used with clamps Part.205, 230, 232, 347, 410, 411, 412, 413, 439, 484.

BOX QUANTITY:

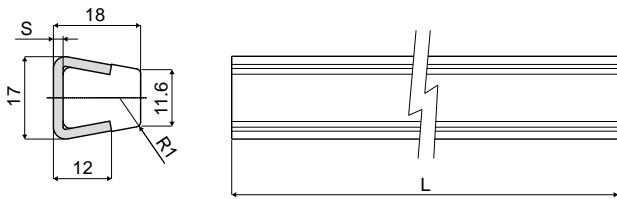
- 3 Mt. lengths version: This item is sold in Mt. - Min. 6 Mt. (2 lengths);
- 6 Mt. lengths version: This item is sold in Mt. - Min. 12 Mt. (2 lengths).

ON REQUEST:

- Box quantity: According to your request.

Chain guides and accessories

Part. **377** Guide rail for high temperatures (with metal profile)



Code	S	L
377 / 85476	1,5	3 Mt.
377 / 83973	2	3 Mt.

MATERIALS: Guide profile in natural PTFE (Teflon) FDA approved; metal profile in stainless steel AISI 304.

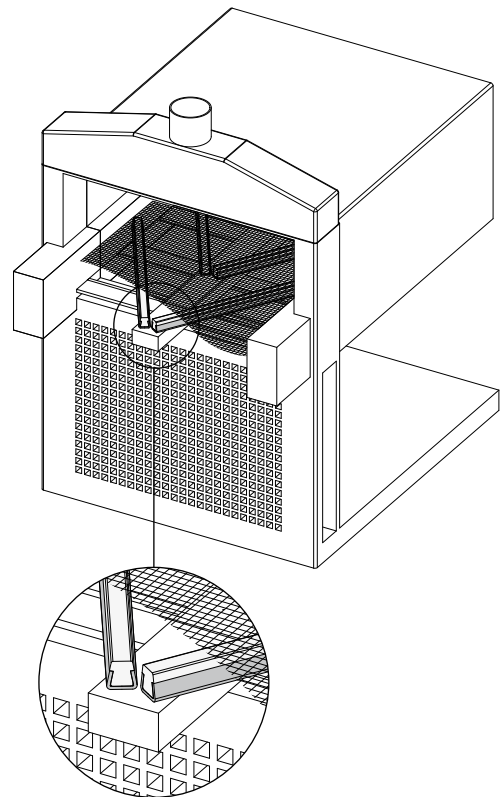
FEATURES: To be used in every application where the resistance to the high temperatures is needed; for example: ovens, fryers, filling areas with high temperature, steam rooms, kitchens etc. Supplied in 3 meters lengths. Min. curvature radius: 145 mm. To be used with clamps Part.205, 230, 232, 347, 410, 411, 412, 413, 439, 484.

BOX QUANTITY: 2 bars of 3 meters (total 6 meters).

ON REQUEST:

- Box quantity: According to your request.

Example of application

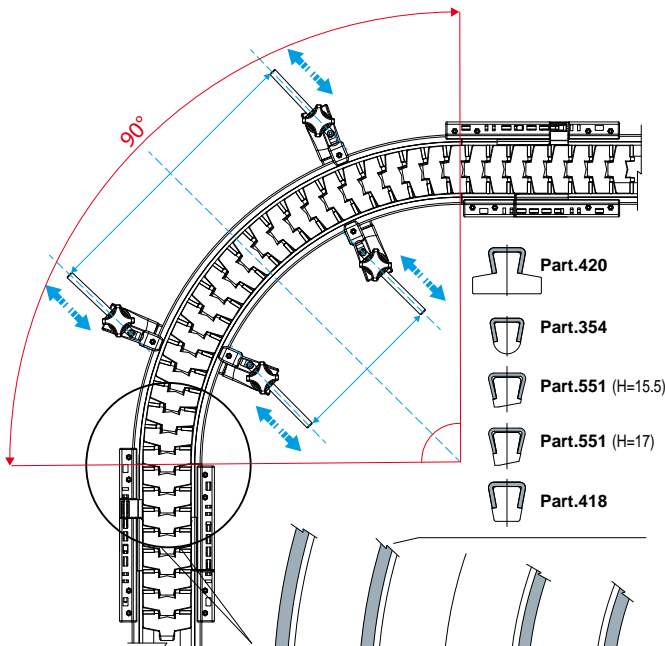


Product / chain guides and accessories

Sliding joint clamp

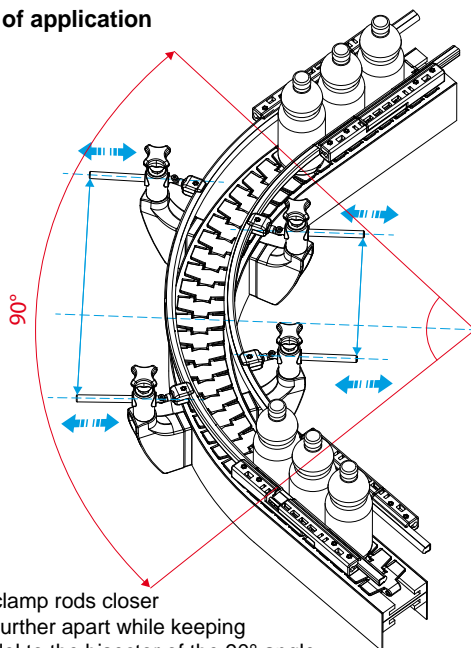
(for guides with 1.5 mm thick metal profile)

Part. 549

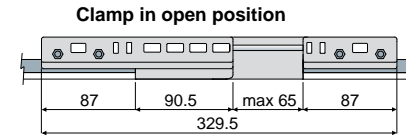
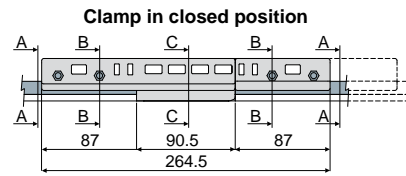


1 - Clamp in closed position
2 - Clamp in open position
L - Side guides cross adjustment width

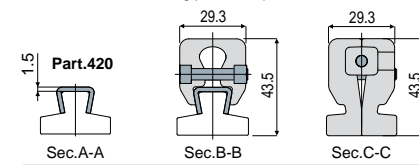
Example of application



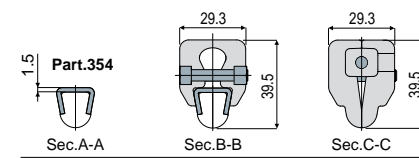
Move the clamp rods closer together / further apart while keeping them parallel to the bisector of the 90° angle



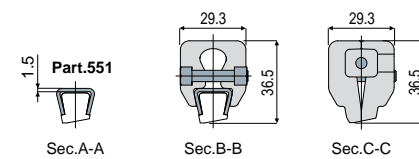
Cod. 90454 - Sliding joint clamp for Part.420



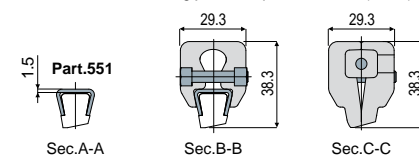
Cod. 90455 - Sliding joint clamp for Part.354



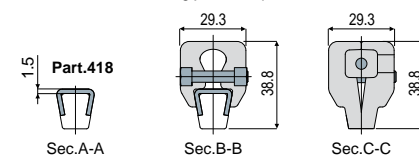
Cod. 90456 - Sliding joint clamp for Part.551 (H=15,5)



Cod. 91008 - Sliding joint clamp for Part.551 (H=17)



Cod. 91175 - Sliding joint clamp for Part.418



Type of guide to be joined	Code
Part.420	549 / 90454
Part.354	549 / 90455
Part.551 (H = 15,5)	549 / 90456
Part.551 (H = 17)	549 / 91008
Part.418	549 / 91175

NEW
NEW

MATERIALS: Clamp in acetal white colour; guide pin and bolts in stainless steel.
FEATURES: The clamps allow the connection of the straight sections of the transport guides with the curved ones, compensating for the variations in curvature during format changes. To be used only together with guides with a 1.5 mm thick metal profile. Recommended maximum tightening torque: 0.4 Kgm.

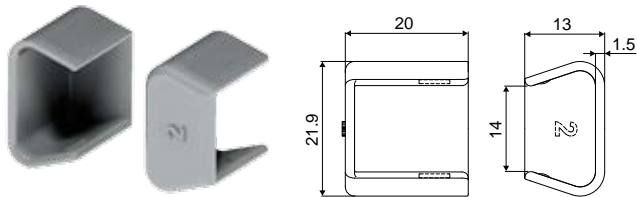
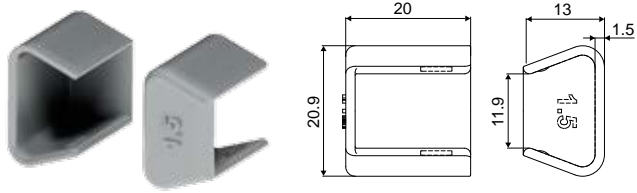
BOX QUANTITY: 2 pieces.

ON REQUEST:

- Clamps: In different colours.
- Box quantity: According to your request.

Product / chain guides and accessories

Part. 546 Closing cap (for trapezoidal stainless steel profiles)



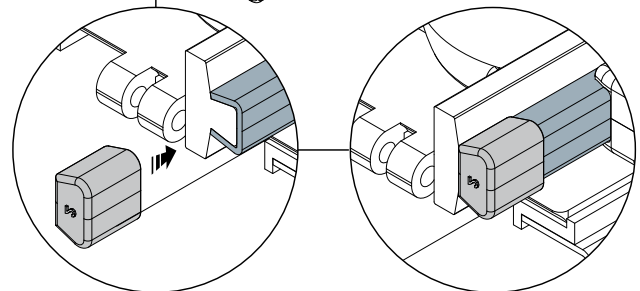
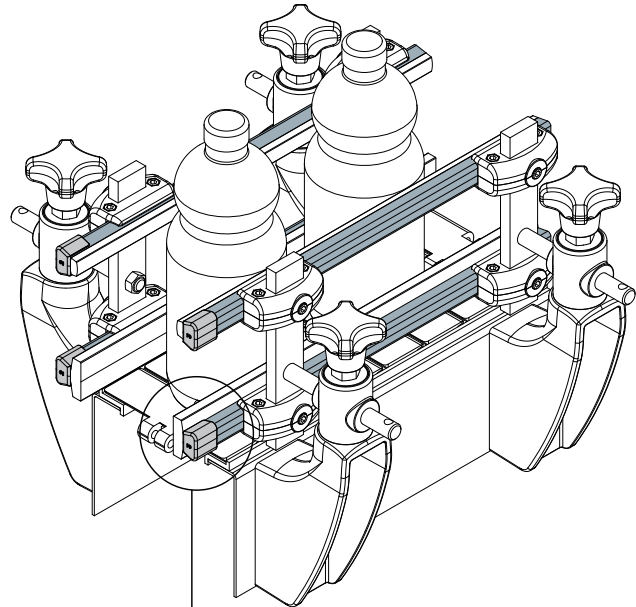
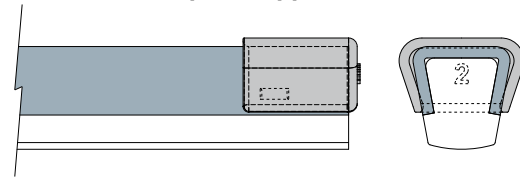
Code	For profiles of thickness (mm)
546 / 90635	1,5
546 / 90636	2,0

MATERIALS: Closing cap in polypropylene, grey Ral 7035 colour.
FEATURES: Used as a cap at the ends of the lateral guides Part.353, 354, 377, 418, 419, 420, 446, 469, 485, 514, 551; pressure assembly; available for versions with 1.5 and 2 mm. thick metal profile.
BOX QUANTITY: 96 pieces.

ON REQUEST:

- Caps: In orange Ral 2004, blue Ral 5005 or blue Ral 5005 FDA APPROVED.
- **Box quantity:** According to your request.

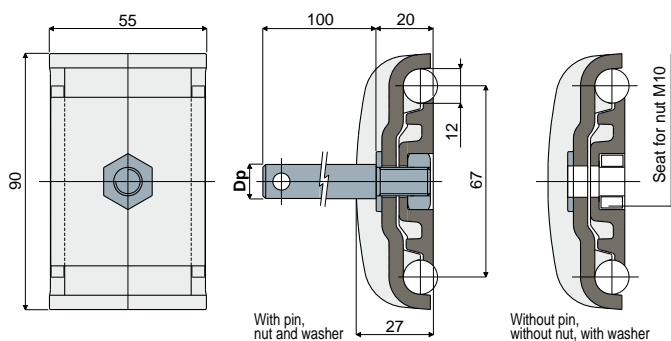
Example of application



Example of application

Guide rail clamps

Guide rail clamp Part. 229 (for round rails)



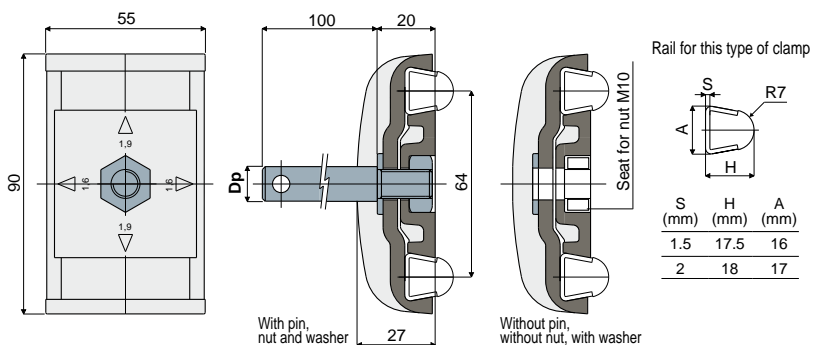
Dp Pin diameter (mm)	With pin, nut and washer Code	Without pin, without nut, with washer Code
12	229 / 80681	
14	229 / 80682	229 / 80609
16	229 / 80683	

MATERIALS: Clamp made of reinforced polyamide black colour; pin, nut and washer made of stainless steel AISI 304.
FEATURES: Supplied with pin, nut and washer or without pin, without nut, with washer.
BOX QUANTITY: 24 pieces.

ON REQUEST:

- Clamps: In reinforced polypropylene, in different colours.
- Box quantity: According to your request.

Guide rail clamp Part. 230 (for trapezoidal rails)



Dp Pin diameter (mm)	With pin, nut and washer Code	Without pin, without nut, with washer Code
12	230 / 80684	
14	230 / 80685	230 / 80611
16	230 / 80686	

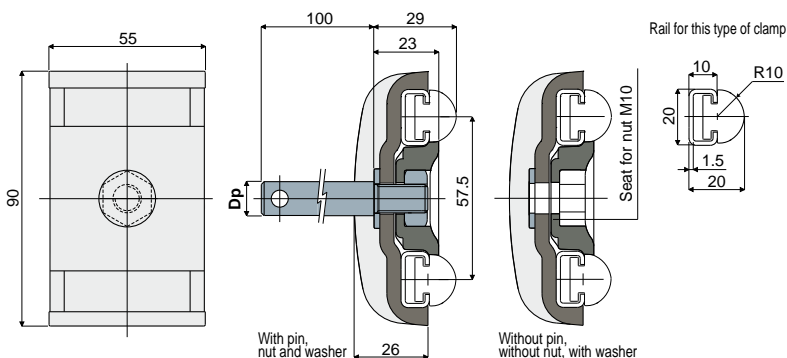
MATERIALS: Clamp made of reinforced polyamide black colour; pin, nut and washer made of stainless steel AISI 304.
FEATURES: Supplied with pin, nut and washer or without pin, without nut, with washer. With this item it is possible to use thickness 1,5 and 2 mm guides, by rotating for 90° the central plate: Part.353, 354, 377, 418, 419, 420, 446, 469, 485, 514.

BOX QUANTITY: 24 pieces.

ON REQUEST:

- Clamps: In reinforced polypropylene, in different colours.
- Box quantity: According to your request.

Guide rail clamp Part. 289 (for rectangular rails)



Dp Pin diameter (mm)	With pin, nut and washer Code	Without pin, without nut, with washer Code
12	289 / 82569	
14	289 / 82570	289 / 82572
16	289 / 82571	

MATERIALS: Clamp made of reinforced polyamide black colour; pin, nut and washer made of stainless steel AISI 304.
FEATURES: Supplied with pin, nut and washer or without pin, without nut, with washer. To be used for the support of the product guide rail Part.373.

BOX QUANTITY: 24 pieces.

ON REQUEST:

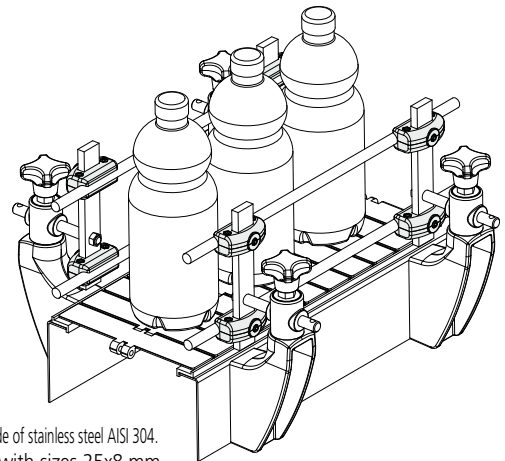
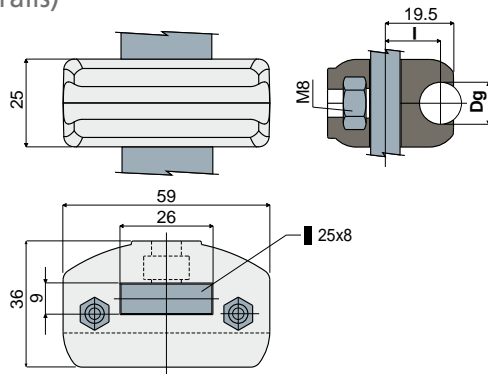
- Clamps: In reinforced polypropylene, in different colours.
- Box quantity: According to your request.

Guide rail clamps

Part. 231

Guide rail clamp (for round rails)

Example of application



Dg Rail diameter (mm)	l (mm)	Code
8	16	231 / 80749
10	15	231 / 80788
12	15	231 / 80687
14	15	231 / 80787

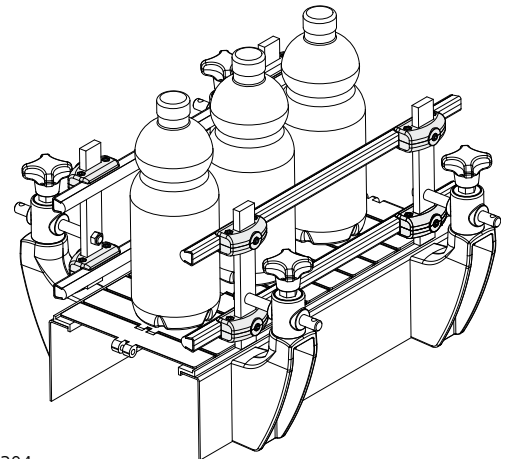
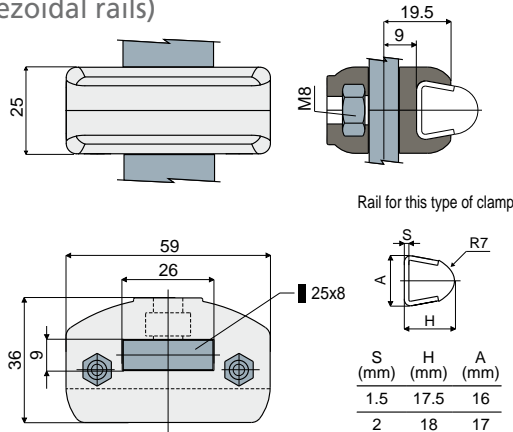
MATERIALS: Clamp made of reinforced polyamide black colour; bolts and nuts made of stainless steel AISI 304.
FEATURES: Supplied assembled. To be used with flat support with sizes 25x8 mm.
BOX QUANTITY: 24 pieces.
ON REQUEST:

- Clamps: In reinforced polypropylene, in different colours.
- Box quantity: According to your request.

Part. 232

Guide rail clamp (for trapezoidal rails)

Example of application



Code
232 / 80688

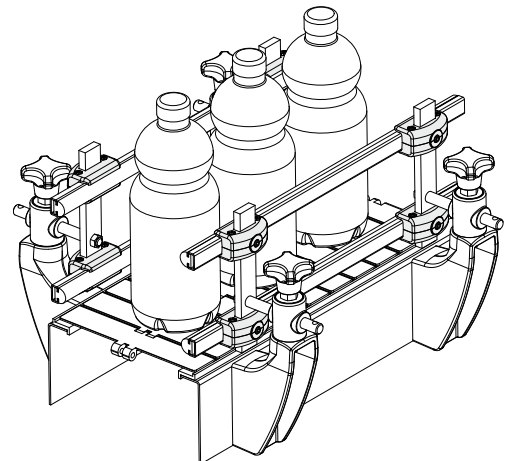
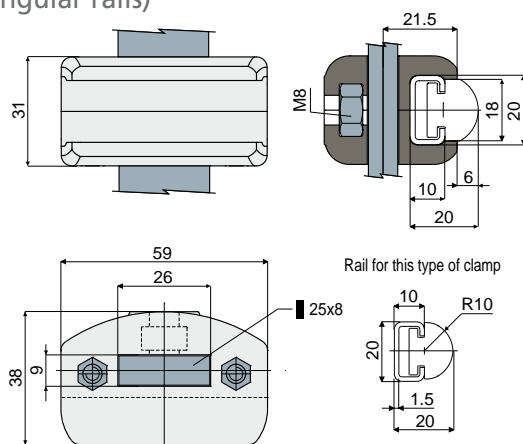
MATERIALS: Clamp made of reinforced polyamide black colour; bolts and nuts made of stainless steel AISI 304.
FEATURES: Supplied assembled. To be used with flat support with sizes 25x8 mm. With this item it is possible to use thickness 1,5 and 2 mm guides: Part.353, 354, 377, 418, 419, 420, 446, 469, 485, 514, 551.
BOX QUANTITY: 24 pieces.
ON REQUEST:

- Clamps: In reinforced polypropylene, in different colours.
- Box quantity: According to your request.

Part. 291

Guide rail clamp (for rectangular rails)

Example of application



Code
291 / 82578

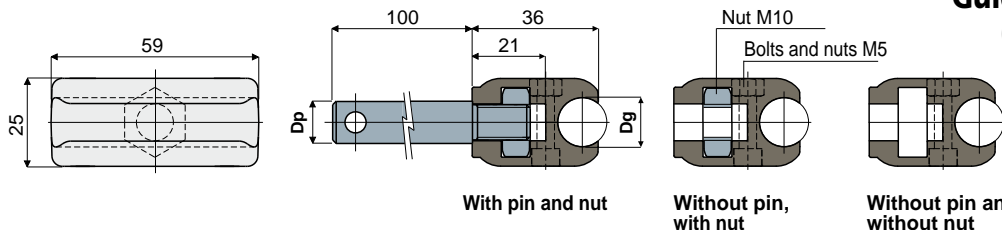
MATERIALS: Clamp made of reinforced polyamide black colour; bolts and nuts made of stainless steel AISI 304.
FEATURES: Supplied assembled. To be used with flat profile with sizes 25x8 mm. To be used for the support of the product guide rail Part.373.
BOX QUANTITY: 24 pieces.
ON REQUEST:

- Clamps: In reinforced polypropylene, in different colours.
- Box quantity: According to your request.

Guide rail clamps

Guide rail clamp (for round rails)

Part. **483**



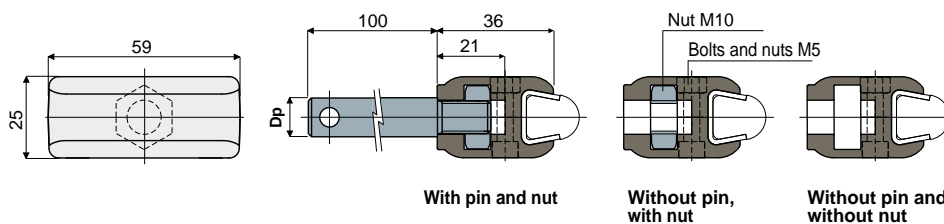
Dp Pin diameter (mm)	Dg Rail diameter (mm)	With pin and nut		Dg Rail diameter (mm)	Without pin, with nut	
		Code			Code	
12	8	483 / 87024		8	483 / 86156	
	10	483 / 87025		10	483 / 86151	
	12	483 / 87026		12	483 / 86152	
	14	483 / 87027		14	483 / 86153	
14	8	483 / 87028		Dg Rail diameter (mm)	Without pin and without nut	
	10	483 / 87029			Code	
	12	483 / 87030			8	483 / 87036
16	14	483 / 87031		10	483 / 87037	
	8	483 / 87032		12	483 / 87038	
	10	483 / 87033		14	483 / 87039	
	12	483 / 87034				
	14	483 / 87035				

MATERIALS: Clamp made of reinforced polyamide black colour; pin, bolts and nuts made of stainless steel AISI 304.
FEATURES: Supplied with pin and nut or without pin, with nut or without pin and without nut.
BOX QUANTITY: 24 pieces.

- ON REQUEST:**
- Clamps: In reinforced polypropylene, in different colours.
 - Box quantity: According to your request.

Guide rail clamp (for trapezoidal rails)

Part. **484**



Rail for this type of clamp

S (mm)	H (mm)	A (mm)
1.5	17.5	16
2	18	17



MATERIALS: Clamp made of reinforced polyamide black colour; pin, bolts and nuts made of stainless steel AISI 304.
FEATURES: Supplied with pin and nut or without pin, with nut or without pin and without nut. With this item it is possible to use thickness 1,5 and 2 mm guides: Part.353, 354 377, 418, 419, 420, 446, 469, 485, 514, 551.

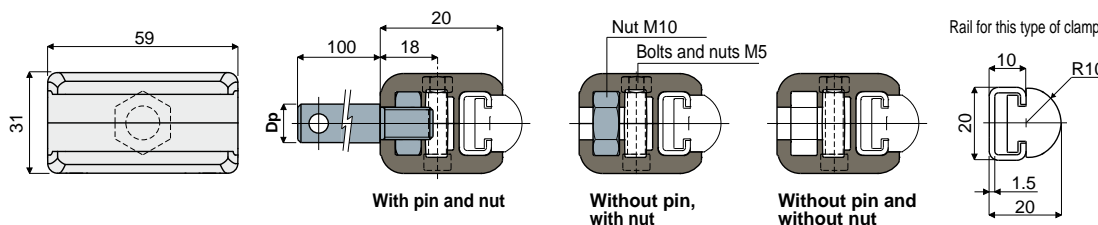
BOX QUANTITY: 24 pieces.

- ON REQUEST:**
- Clamps: In reinforced polypropylene, in different colours.
 - Box quantity: According to your request.

Dp Pin diameter (mm)	With pin and nut		Without pin, with nut		Without pin and without nut	
	Code		Code		Code	
12	484 / 87040					
14	484 / 87041		484 / 86154		484 / 87043	
16	484 / 87042					

Guide rail clamp (for rectangular rail)

Part. **290**



Rail for this type of clamp



Dp Pin diameter (mm)	With pin and nut		Without pin, with nut		Without pin and without nut	
	Code		Code		Code	
12	290 / 82573					
14	290 / 82574		290 / 82576		290 / 82577	
16	290 / 82575					

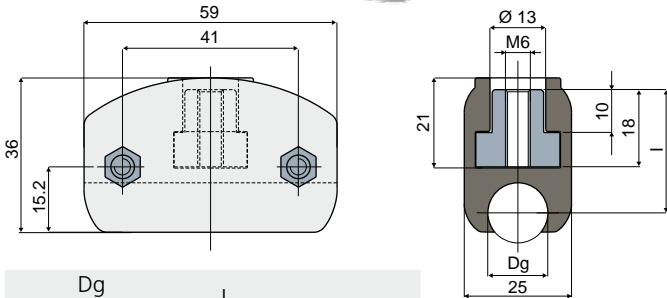
MATERIALS: Clamp made of reinforced polyamide black colour; pin, bolts and nuts made of stainless steel AISI 304.
FEATURES: Supplied with pin and nut or without pin, with nut or without pin and without nut. To be used for the support of the product guide rail Part.373.
BOX QUANTITY: 24 pieces.

- ON REQUEST:**
- Clamps: In reinforced polypropylene, in different colours.
 - Box quantity: According to your request.

Guide rail clamps

Part. 346

Guide rail clamp (for round rails)



Dg Rail diameter (mm)	l (mm)	Code
8	30	346 / 83390
10	29,5	346 / 83391
12	29,5	346 / 83392
14	28,7	346 / 83393

MATERIALS: Clamp made of reinforced polyamide black colour; threaded insert in nickel plated brass; bolts and nuts in stainless steel AISI 304.

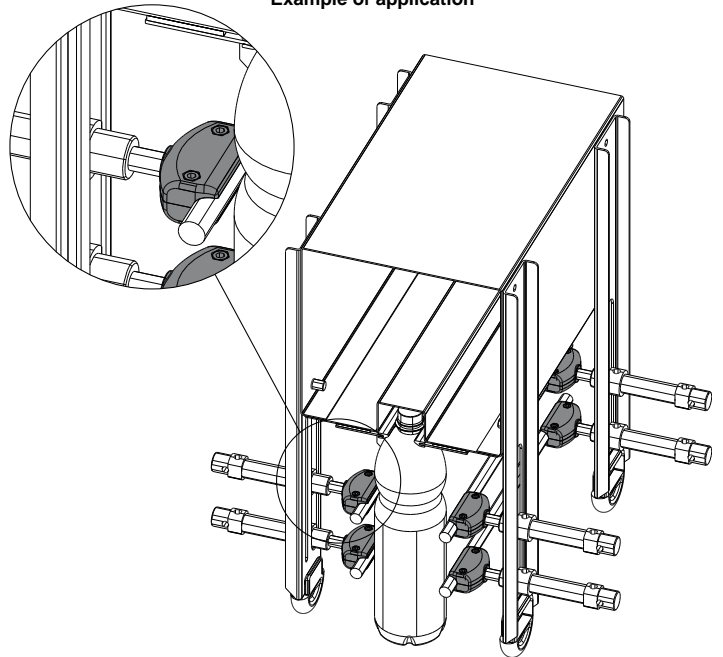
FEATURES: Designed appositely to be assembled directly on the pneumatic cylinder for the rails regulation. Supplied assembled.

BOX QUANTITY: 24 pieces.

ON REQUEST:

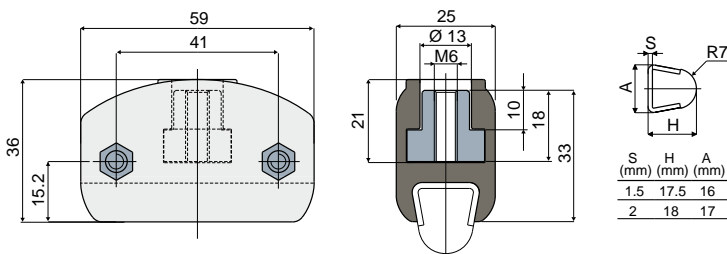
- Clamps: In reinforced polypropylene, in different colours.
- Box quantity: According to your request.

Example of application



Part. 347

Guide rail clamp (for trapezoidal rails)



Code
347 / 83394

MATERIALS: Clamp made of reinforced polyamide black colour; threaded insert in nickel plated brass; bolts and nuts in stainless steel AISI 304.

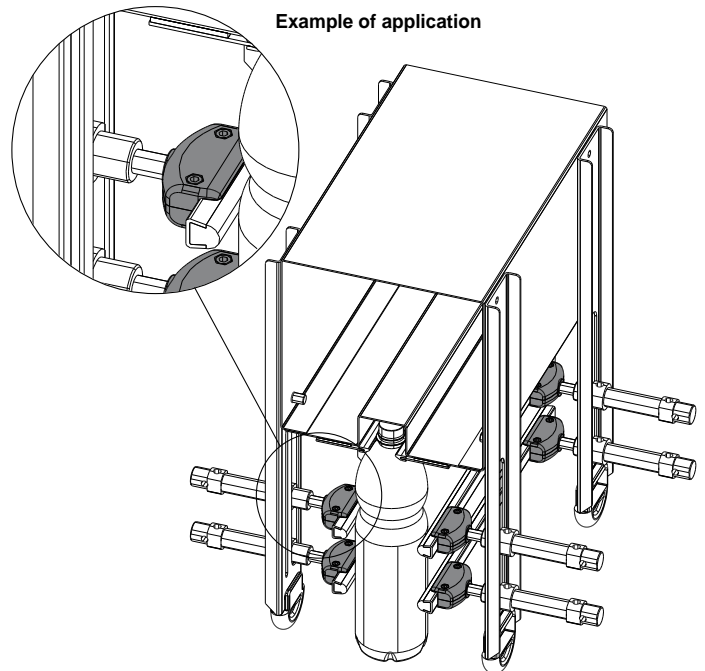
FEATURES: Designed appositely to be assembled directly on the pneumatic cylinder for the rails regulation. Supplied assembled. With this item it is possible to use thickness 1,5 and 2 mm guides: Part.353, 354, 377, 418, 419, 420, 446, 469, 485, 514, 551.

BOX QUANTITY: 24 pieces.

ON REQUEST:

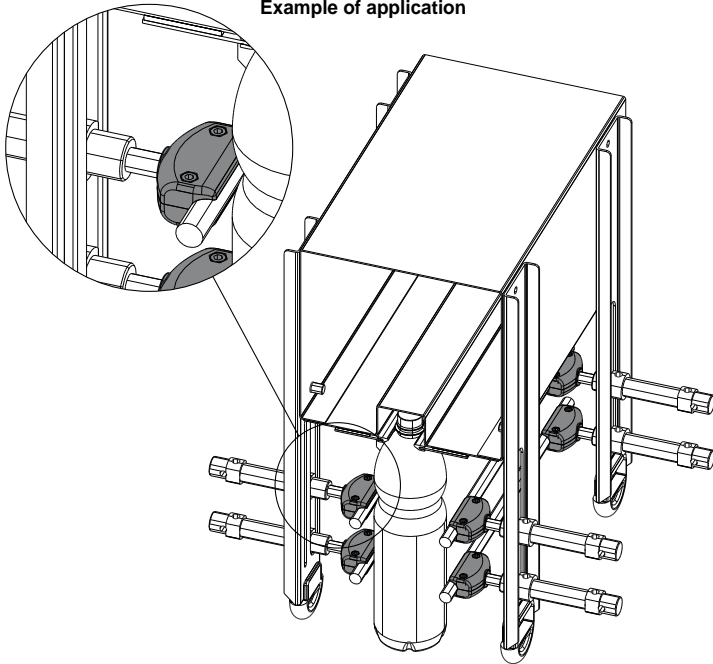
- Clamps: In reinforced polypropylene, in different colours.
- Box quantity: According to your request.

Example of application



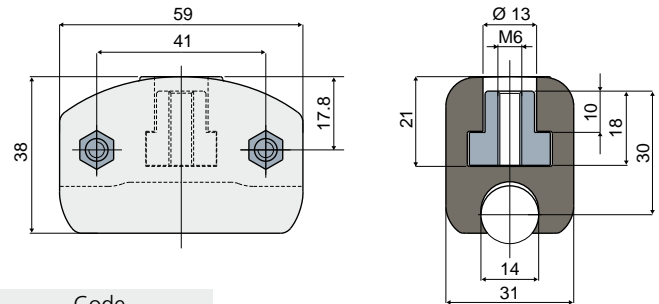
Guide rail clamps

Example of application



Guide rail clamp (for round rails)

Part. **348**



Code
348 / 83395

MATERIALS: Clamp made of reinforced polyamide black colour; threaded insert in nickel plated brass; bolts and nuts in stainless steel AISI 304.

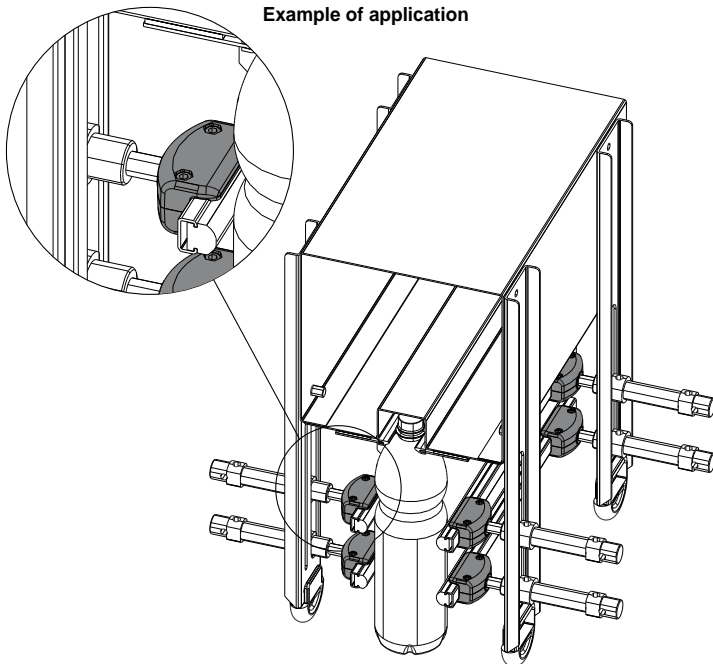
FEATURES: Designed appositely to be assembled directly on the pneumatic cylinder for the rails regulation. Supplied assembled.

BOX QUANTITY: 24 pieces.

ON REQUEST:

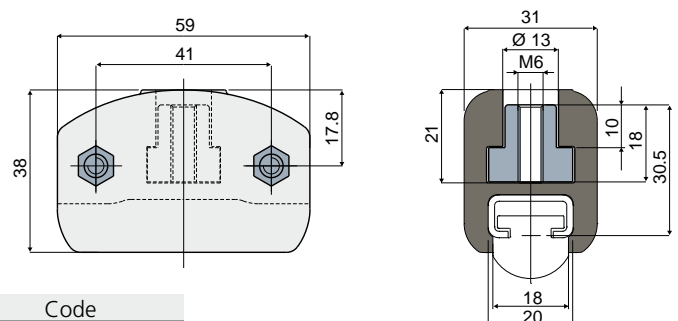
- Clamps: In reinforced polypropylene, in different colours.
- Box quantity: According to your request.

Example of application



Guide rail clamp (for rectangular rails)

Part. **349**



Code
349 / 83396

MATERIALS: Clamp made of reinforced polyamide black colour; threaded insert in nickel plated brass; bolts and nuts in stainless steel AISI 304.

FEATURES: Designed appositely to be assembled directly on the pneumatic cylinder for the rails regulation. To be used for the support of the product guide rail Part.373. Supplied assembled.

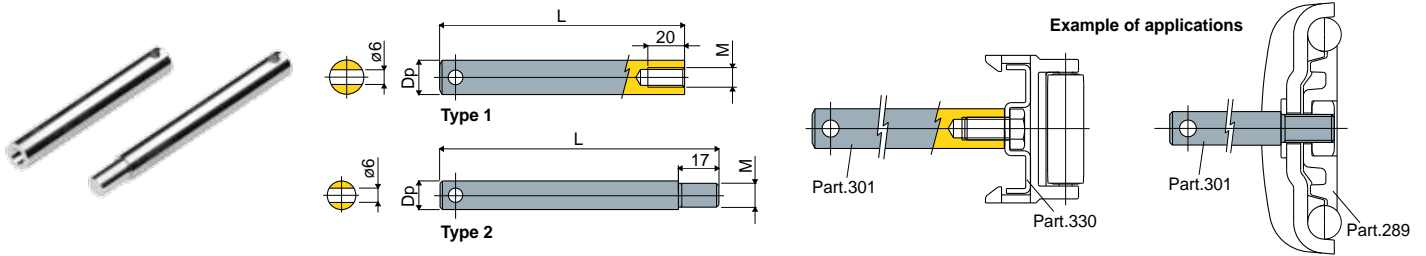
BOX QUANTITY: 24 pieces.

ON REQUEST:

- Clamps: In reinforced polypropylene, in different colours.
- Box quantity: According to your request.

Guide rail clamps

Part. 301 Threaded pin



Dp (mm)	L (mm)	M (mm)	Type 1 Code
12	100	M8	301 / 86707
14	100	M8	301 / 82751
16	100	M8	301 / 86708

Dp (mm)	L (mm)	M (mm)	Type 2 Code
12	117	M10	301 / 83304
12	150	M8	301 / 85381
12	167	M10	301 / 84869
12	217	M10	301 / 83871
14	117	M10	301 / 83305
16	117	M10	301 / 83306
16	121	M10	301 / 84109

MATERIALS: Pin made of stainless steel AISI 304.

FEATURES:

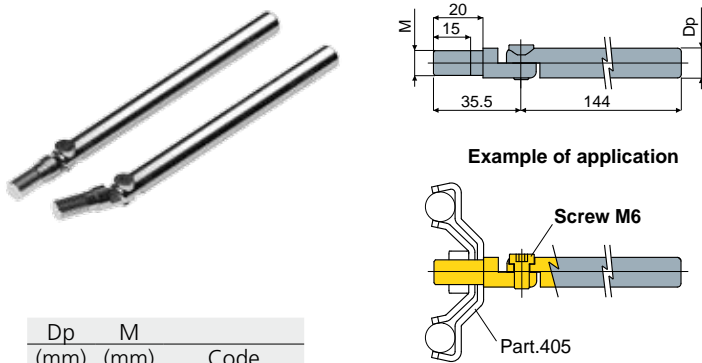
- Type 1: Can be mounted both on guide rail clamps or on side guides;
- Type 2: Used for the mounting of Part. 204, 205, 229, 230, 289, 290.

BOX QUANTITY: 24 pieces.

ON REQUEST:

- Pins: In various lengths.
- Box quantity: According to your request.

Part. 460 Threaded pin for guide rail clamp



Dp (mm)	M (mm)	Code
12	M10	460 / 85470
14	M10	460 / 85566

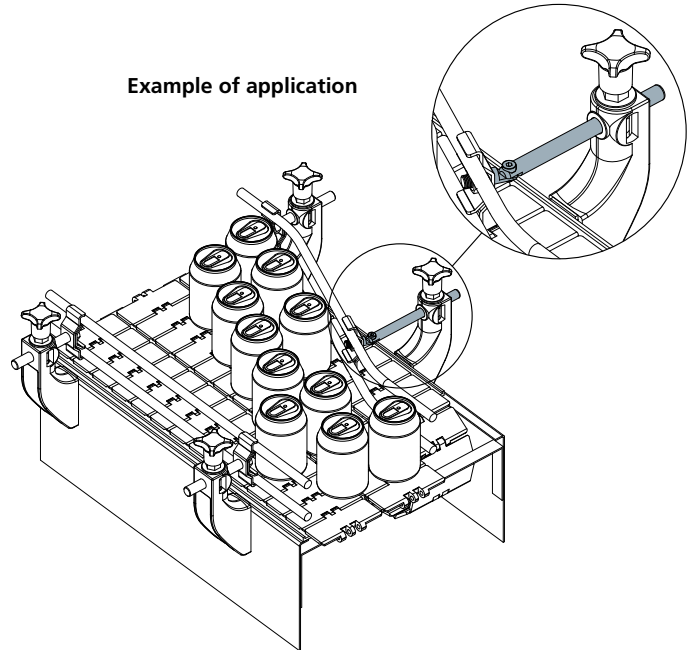
MATERIALS: Pin made of stainless steel AISI 304.

FEATURES: Supplied complete with bolts and nuts.

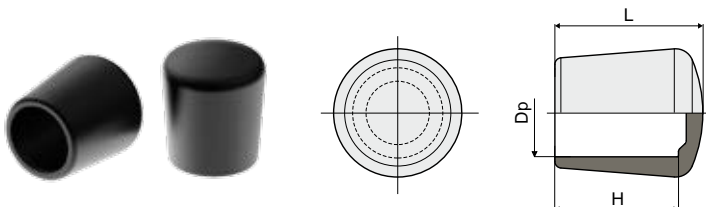
BOX QUANTITY: 24 pieces.

ON REQUEST:

- Pins: In various lengths.
- Box quantity: According to your request.



Part. 398 Cap for pins



Dp (mm)	H (mm)	L (mm)	Code
12	17	21	398 / 84258
14	18	23	398 / 84259
16	20	25	398 / 85592

MATERIALS: Cap made of thermoplastic rubber.

FEATURES: To be applied at the ends of the pins.

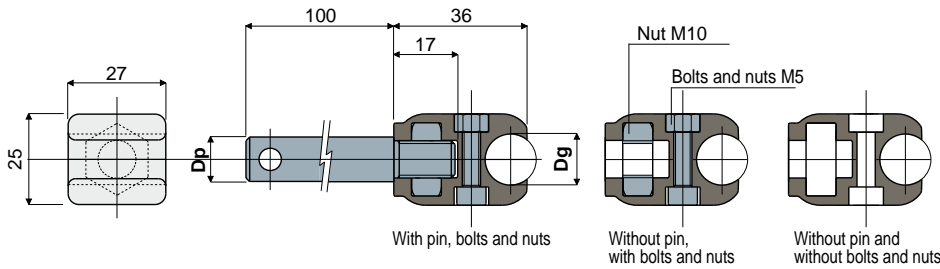
BOX QUANTITY: 24 pieces.

ON REQUEST:

- Box quantity: According to your request.

Guide rail clamps

Guide rail clamp (for round rails) Part. 204



Dp Pin diameter (mm)	Dg Rail diameter (mm)	With pin, bolts and nuts	
		Code	
12	8	204 / 80798	
	10	204 / 80799	
	12	204 / 80800	
	14	204 / 80801	
14	8	204 / 80802	
	10	204 / 80803	
	12	204 / 80804	
16	14	204 / 80805	
	8	204 / 80806	
	10	204 / 80807	
	12	204 / 80808	
	14	204 / 80809	

Dg Rail diameter (mm)	Without pin, with bolts and nuts	
	Code	
8	204 / 80810	
10	204 / 80811	
12	204 / 80812	
14	204 / 80813	

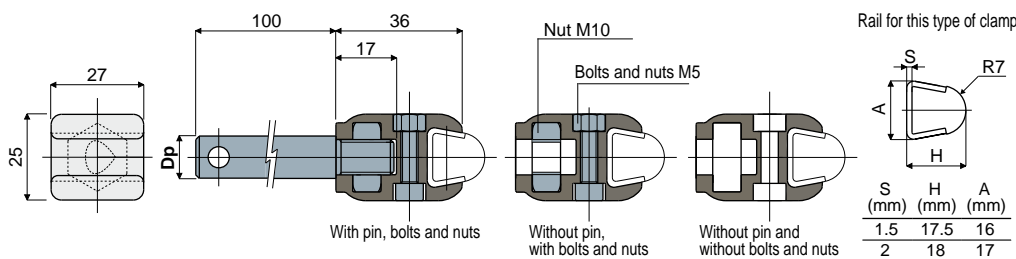
Dg Rail diameter (mm)	Without pin and without bolts and nuts	
	Code	
8	204 / 80978	
10	204 / 80979	
12	204 / 80980	
14	204 / 80981	

MATERIALS: Clamp made of reinforced polyamide black colour; pin, bolts and nuts made of stainless steel AISI 304.
FEATURES: Supplied with pin, bolts and nuts or without pin, with bolts and nuts or without pin and without bolts and nuts.
BOX QUANTITY: 24 pieces.

ON REQUEST:

- Clamps: In reinforced polypropylene, in different colours.
- Box quantity: According to your request.

Guide rail clamp (for trapezoidal rails) Part. 205



Dp Pin diameter (mm)	With pin, bolts and nuts		Without pin, with bolts and nuts		Without pin and without bolts and nuts	
	Code		Code		Code	
12	205 / 80814					
14	205 / 80815		205 / 80817		205 / 80982	
16	205 / 80816					

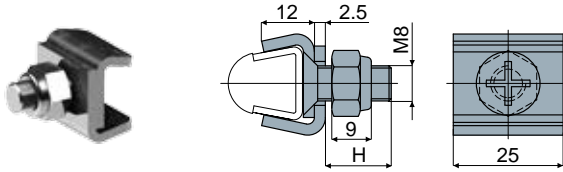
MATERIALS: Clamp made of reinforced polyamide black colour; pin, bolts and nuts made of stainless steel AISI 304.
FEATURES: Supplied with pin, bolts and nuts or without pin, with bolts and nuts or without pin and without bolts and nuts. With this item it is possible to use thickness 1,5 and 2 mm guides: Part.353, 354, 377, 418, 419, 420, 446, 469, 485, 514, 551.
BOX QUANTITY: 24 pieces.

ON REQUEST:

- Clamps: In reinforced polypropylene, in different colours.
- Box quantity: According to your request.

Guide rail clamps

Part. 412 Guide rail clamp



H	Code
15	412 / 84487
20	412 / 87351

MATERIALS: Clamp, bolts and nuts made of stainless steel AISI 304.

FEATURES: With this item it is possible to use thickness 1,5 and 2 mm guides:

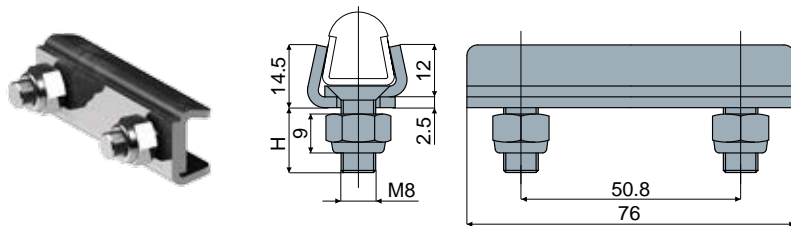
Part.353, 354, 377, 418, 419, 420, 446, 469, 485, 514, 551.

BOX QUANTITY: 24 pieces.

ON REQUEST:

- Assembly of: Bolts and nuts.
- Box quantity: According to your request.

Part. 413 Guide rail clamp (for connection)



H	Code
15	413 / 84488
20	413 / 87361

MATERIALS: Clamp, bolts and nuts made of stainless steel AISI 304.

FEATURES: With this item it is possible to use thickness 1,5 and 2 mm guides:

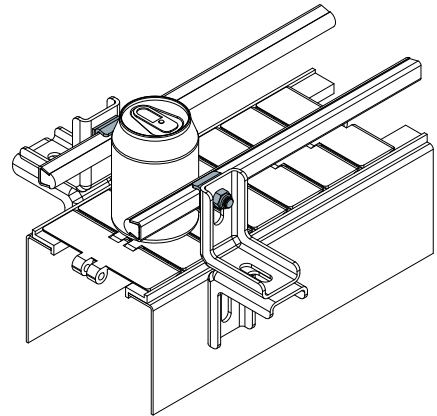
Part.353, 354, 377, 418, 419, 420, 446, 469, 485, 514, 551.

BOX QUANTITY: 24 pieces.

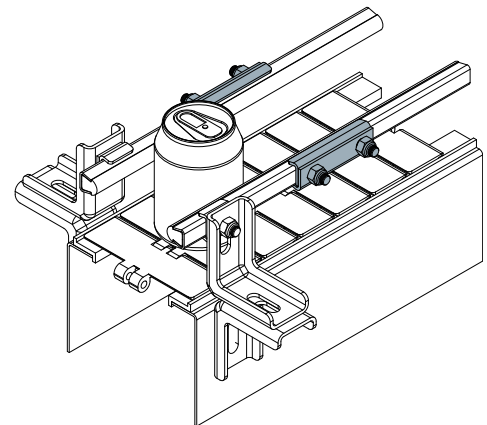
ON REQUEST:

- Assembly of: Bolts and nuts.
- Box quantity: According to your request.

Example of application

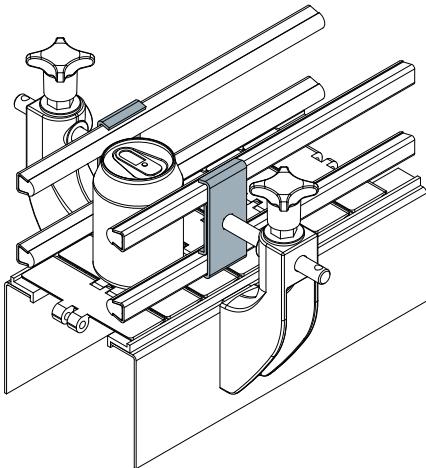


Example of application

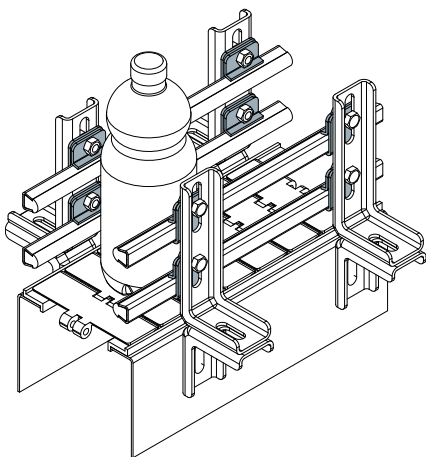


Guide rail clamps

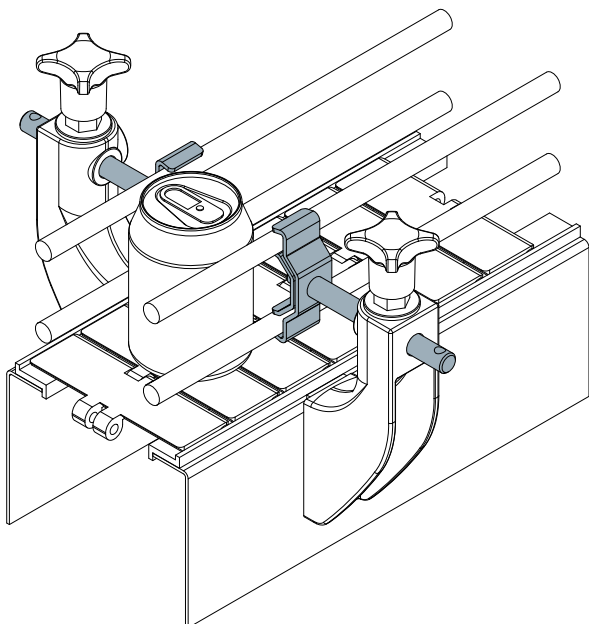
Example of application



Example of application

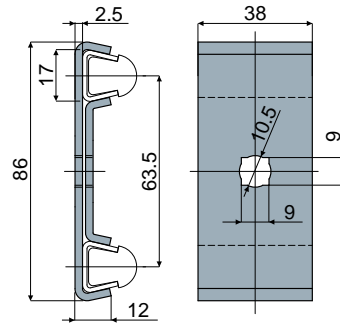


Example of application



Guide rail clamp (double)

Part. **410**



Code
410 / 84485

MATERIALS: Clamp made of stainless steel AISI 304.

FEATURES: With this item it is possible to use thickness 1,5 and 2 mm guides: Part.353, 354, 377, 418, 419, 420, 446, 469, 485, 514, 551.

BOX QUANTITY: 24 pieces.

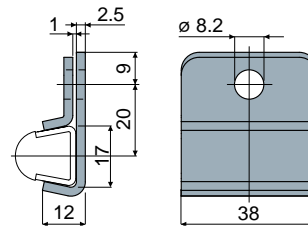
ON REQUEST:

- Box quantity: According to your request.



Guide rail clamp

Part. **411**



Code
411 / 84486

MATERIALS: Clamp made of stainless steel AISI 304.

FEATURES: With this item it is possible to use thickness 1,5 and 2 mm guides: Part.353, 354, 377, 418, 419, 420, 446, 469, 485, 514, 551.

BOX QUANTITY: 24 pieces.

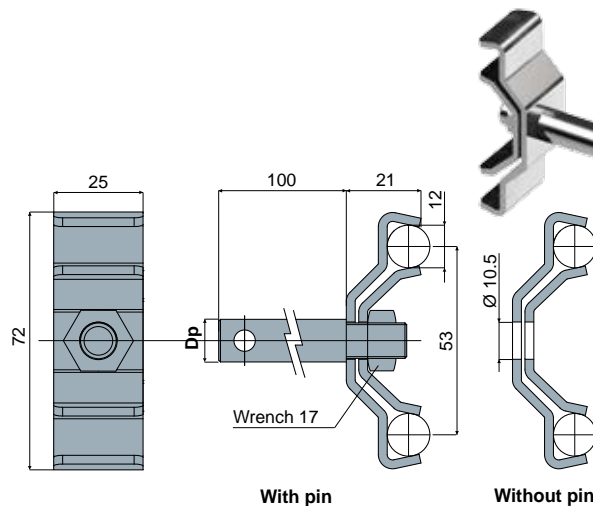
ON REQUEST:

- Box quantity: According to your request.



Guide rail clamp (for round rails)

Part. **405**



Dp Pin diameter (mm)	With pin Code	Without pin Code
12	405 / 84327	
14	405 / 84442	405 / 85101
16	405 / 84443	

MATERIALS: Clamp, mounting plate, nut and threaded pin made of stainless steel AISI 304.

FEATURES: Supplied with or without pin.

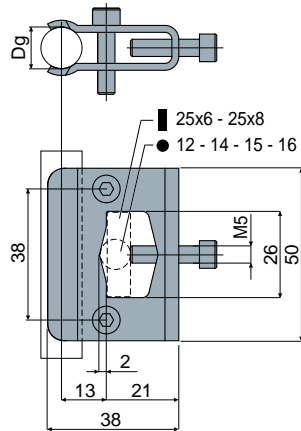
BOX QUANTITY: 24 pieces.

ON REQUEST:

- Assembly of: Pins, nuts.
- Box quantity: According to your request.

Guide rail clamps

Part. 440 Guide rail clamp (for round rails)



Dg Rail diameter (mm)	Code
12	440 / 85240

MATERIALS: Clamp, bolts and nuts in stainless steel AISI 304.

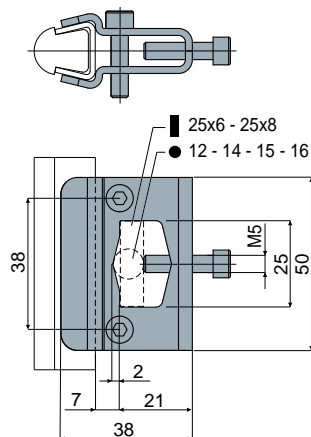
FEATURES: Supplied with bolts and nuts.

BOX QUANTITY: 24 pieces.

ON REQUEST:

- Box quantity: According to your request.

Part. 439 Guide rail clamp (for trapezoidal rails)



Code
439 / 85239

MATERIALS: Clamp, bolts and nuts in stainless steel AISI 304.

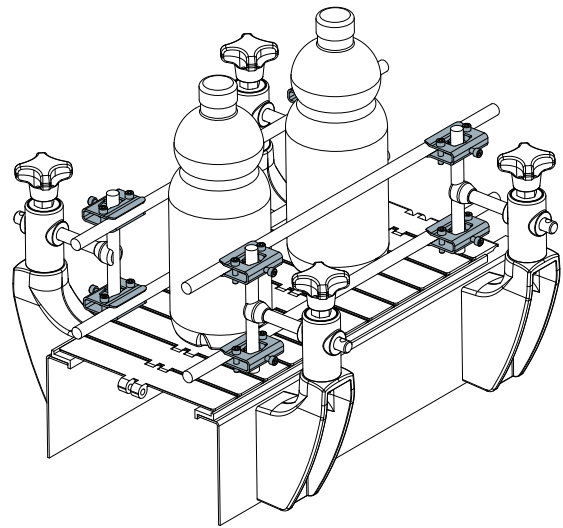
FEATURES: With this item it is possible to use thickness 1,5 and 2 mm guides: Part.353, 354, 377, 418, 419, 420, 446, 469, 485, 514, 551. Supplied with bolts and nuts.

BOX QUANTITY: 24 pieces.

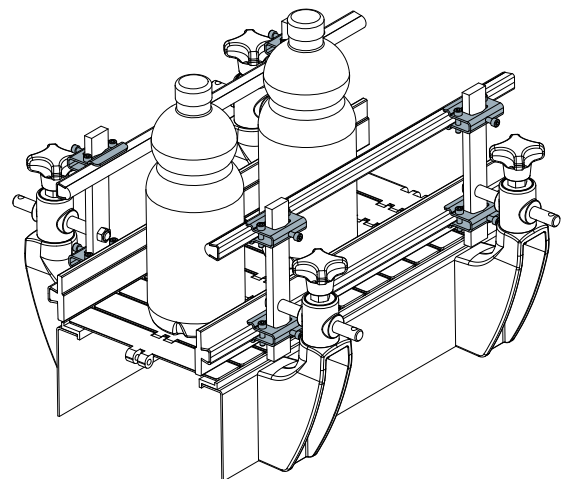
ON REQUEST:

- Box quantity: According to your request.

Example of application

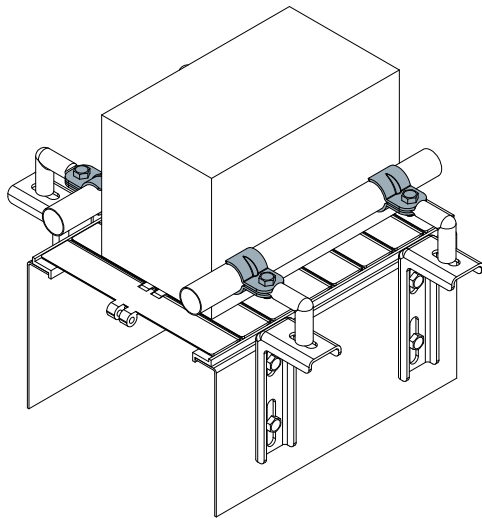


Example of application

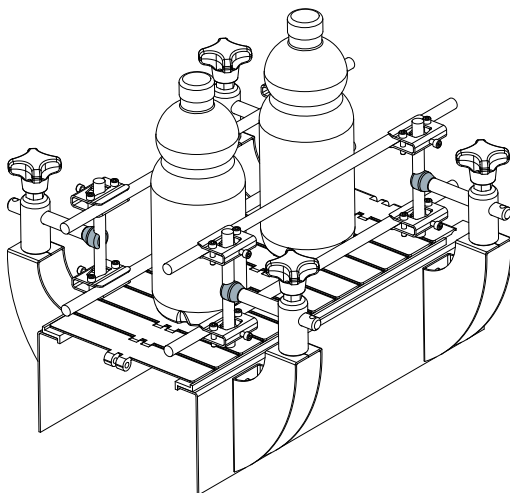


Guide rail clamps

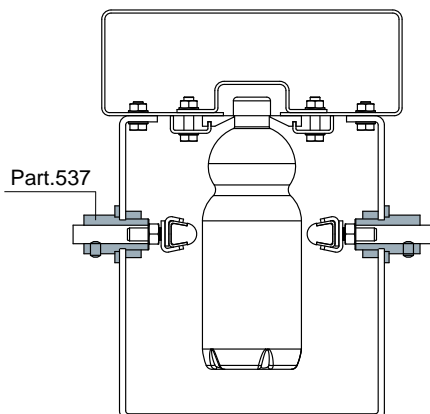
Example of application



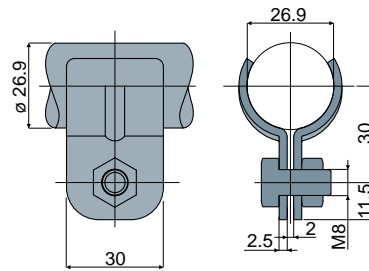
Example of application



Example of application



Guide rail clamp Part. 424



Code
424 / 84961

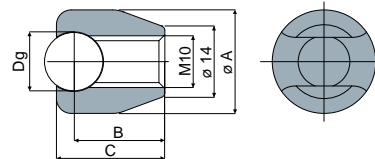
MATERIALS: Clamp, bolts and nuts in stainless steel AISI 304.

BOX QUANTITY: 24 pieces.

ON REQUEST:

- Assembly of: Bolts and nuts.
- Box quantity: According to your request.

Guide rail clamp Part. 443



Dg Rail diameter (mm)	Code	Ø A (mm)	B (mm)	C (mm)
10	443 / 87657	21	17.5	20
12	443 / 85275	21	18.5	22
14	443 / 87658	21	19.5	24

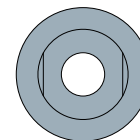
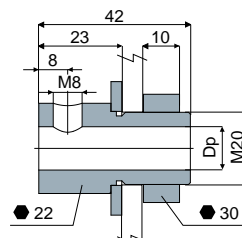
MATERIALS: Clamp made of stainless steel AISI 304.

BOX QUANTITY: 24 pieces.

ON REQUEST:

- Box quantity: According to your request.

Pin holder clamp Part. 537



Dp Pin diameter (mm)	Code
12	537 / 88744

MATERIALS: Clamp, bolts and nuts in stainless steel AISI 304.

FEATURES: To be used in the air systems for PET bottles.

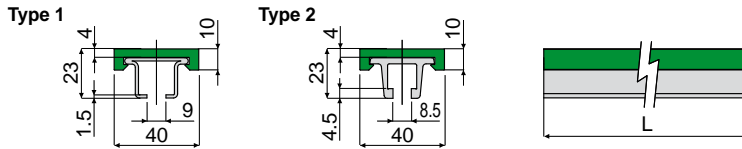
BOX QUANTITY: 24 pieces.

ON REQUEST:

- Box Quantity: According to your request.

Chain guides and accessories

Part. 381 Chain guide profile



Type 1				Type 2		
Metal profile in stainless steel AISI 304		Metal profile in stainless steel AISI 430		Metal profile in anodized aluminium		
Code	Code	Colour	L	Code	Colour	L
381 / 84085	381 / 84086	Green	3 Mt.	381 / 84474	Green	3 Mt.
381 / 84954	381 / 84955	Green	6 Mt.	381 / 84475	Green	6 Mt.
381 / 84942	381 / 84946	White	3 Mt.	381 / 84944	White	3 Mt.
381 / 84943	381 / 84947	White	6 Mt.	381 / 84945	White	6 Mt.
381 / 84948	381 / 84952	Black	3 Mt.	381 / 84950	Black	3 Mt.
381 / 84949	381 / 84953	Black	6 Mt.	381 / 84951	Black	6 Mt.
381 / 88130	381 / 88129	Blue Ral 5005	3 Mt.	381 / 87424	Blue Ral 5005	3 Mt.
381 / 88131	381 / 88124	Blue Ral 5005	6 Mt.	381 / 85541	Blue Ral 5005	6 Mt.

MATERIALS: Metal profile in stainless steel AISI 304, AISI 430 or anodized aluminium; guide profile in polyethylene.

FEATURES: Supplied in lengths of 3 or 6 Mt.

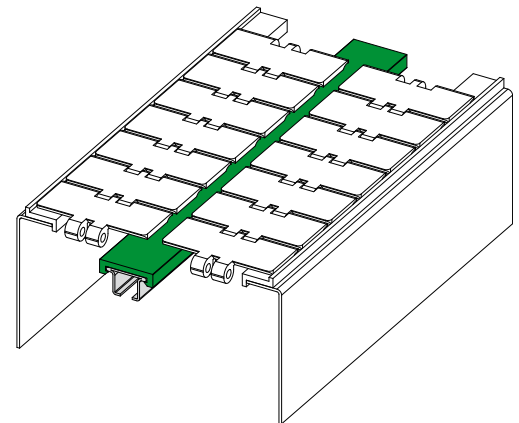
BOX QUANTITY:

- 3 Mt. lengths version: This item is sold in Mt. - Min. 6 Mt. (2 lengths);
- 6 Mt. lengths version: This item is sold in Mt. - Min. 12 Mt. (2 lengths).

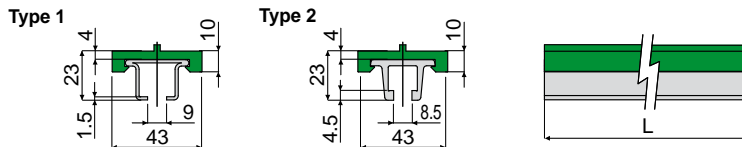
ON REQUEST:

- Chain guide profiles: In black antistatic material; in polyethylene blue Ral 5005 FDA APPROVED.
- Box quantity: According to your request.

Example of application



Part. 513 Chain guide profile



Type 1				Type 2		
Metal profile in stainless steel AISI 304		Metal profile in stainless steel AISI 430		Metal profile in anodized aluminium		
Code	Code	Colour	L	Code	Colour	L
513 / 87081	513 / 87083	Green	3 Mt.	513 / 87085	Green	3 Mt.
513 / 87082	513 / 87084	Green	6 Mt.	513 / 87086	Green	6 Mt.

MATERIALS: Metal profile in stainless steel AISI 304, AISI 430 or anodized aluminium; guide profile in polyethylene.

FEATURES: Supplied in lengths of 3 or 6 Mt.

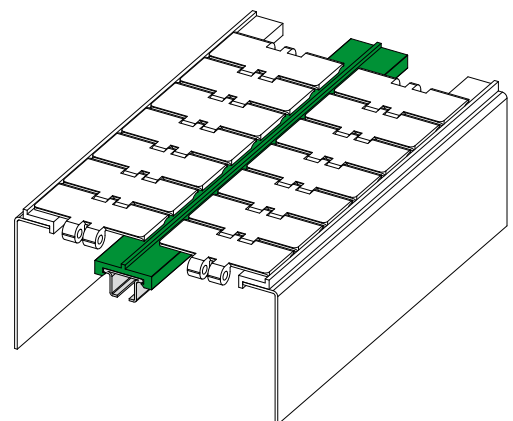
BOX QUANTITY:

- 3 Mt. lengths version: This item is sold in Mt. - Min. 6 Mt. (2 lengths);
- 6 Mt. lengths version: This item is sold in Mt. - Min. 12 Mt. (2 lengths).

ON REQUEST:

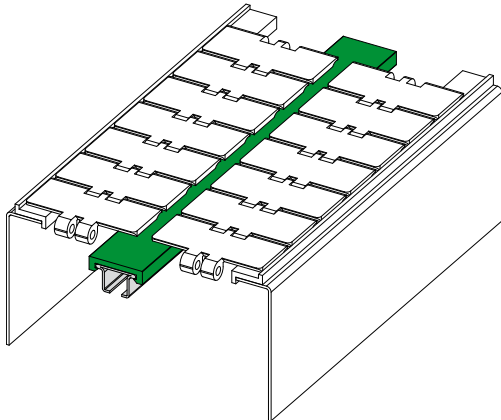
- Guide profiles: In antistatic material black colour.
- Box quantity: According to your request.

Example of application

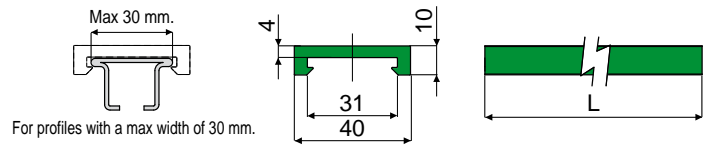


Chain guides and accessories

Example of application



Chain guide profile Part. 385



Code	Colour	L
385 / 84123	Green	3 Mt.
385 / 84478	Green	6 Mt.
385 / 84940	White	3 Mt.
385 / 84577	White	6 Mt.
385 / 84941	Black	3 Mt.
385 / 84578	Black	6 Mt.
385 / 88127	Blue Ral 5005	3 Mt.
385 / 88128	Blue Ral 5005	6 Mt.

MATERIALS: Guide profile in polyethylene.

FEATURES: Supplied in lengths of 3 or 6 Mt.

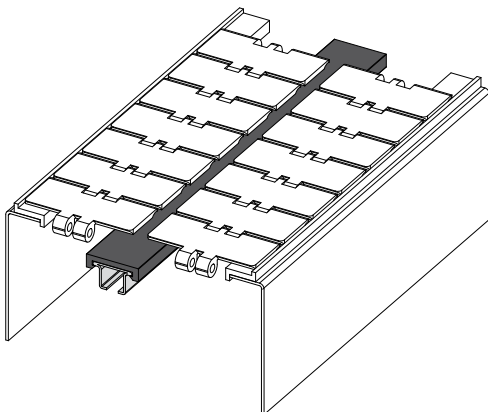
BOX QUANTITY:

- 3 Mt. lengths version: This item is sold in Mt. - Min. 6 Mt. (2 lengths);
- 6 Mt. lengths version: This item is sold in Mt. - Min. 12 Mt. (2 lengths).

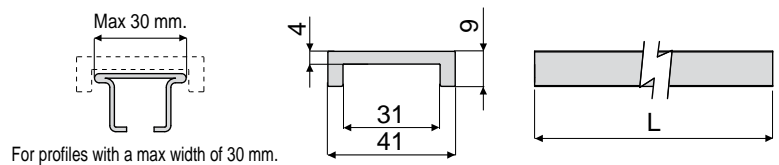
ON REQUEST:

- Chain guide profiles: In black antistatic material; in polyethylene blue Ral 5005 FDA APPROVED.
- Box quantity: According to your request.

Example of application



Chain guide profile Part. 517 (with rectified sliding surface)



Code	Colour	L
517 / 87377	Black	3 Mt.
517 / 87378	Black	6 Mt.

MATERIALS: Guide profile in polyethylene.

FEATURES: Rectified sliding surface. Supplied in lengths of 3 or 6 Mt.

BOX QUANTITY:

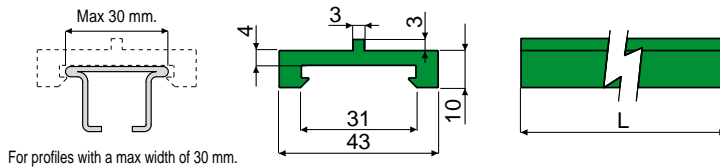
- 3 Mt. lengths version: This item is sold in Mt. - Min. 6 Mt. (2 lengths);
- 6 Mt. lengths version: This item is sold in Mt. - Min. 12 Mt. (2 lengths).

ON REQUEST:

- Guide profiles: In antistatic material black colour.
- Box quantity: According to your request.

Chain guides and accessories

Part. 512 Chain guide profile



Code	Colour	L
512 / 87079	Green	3 Mt.
512 / 87080	Green	6 Mt.

MATERIALS: Guide profile in polyethylene.

FEATURES: Supplied in lengths of 3 or 6 Mt.

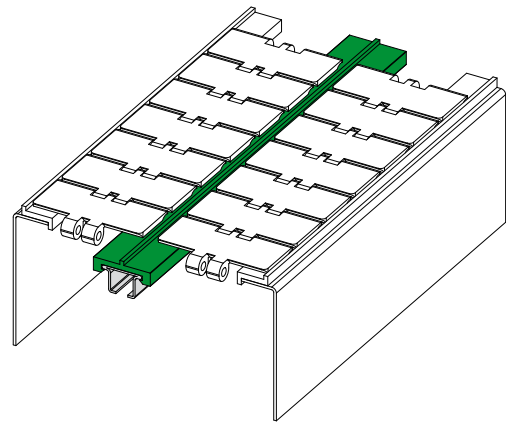
BOX QUANTITY:

- 3 Mt. lengths version: This item is sold in Mt. - Min. 6 Mt. (2 lengths);
- 6 Mt. lengths version: This item is sold in Mt. - Min. 12 Mt. (2 lengths).

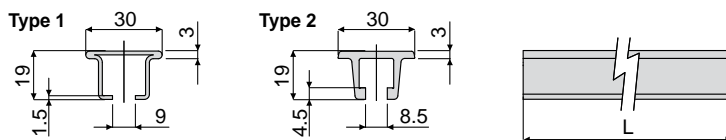
ON REQUEST:

- Guide profiles: In antistatic material black colour.
- Box quantity: According to your request.

Example of application



Part. 384 Chain guide profile



Type 1			Type 2	
Metal profile in stainless steel AISI 304		Metal profile in stainless steel AISI 430	Metal profile in anodized aluminium	
Code	Code	L	Code	L
384 / 84121	384 / 84122	3 Mt.	384 / 84476	3 Mt.
384 / 84956	384 / 84957	6 Mt.	384 / 84477	6 Mt.

MATERIALS: Metal profile in stainless steel AISI 304, AISI 430 or anodized aluminium.

FEATURES: Supplied in lengths of 3 or 6 Mt.

BOX QUANTITY:

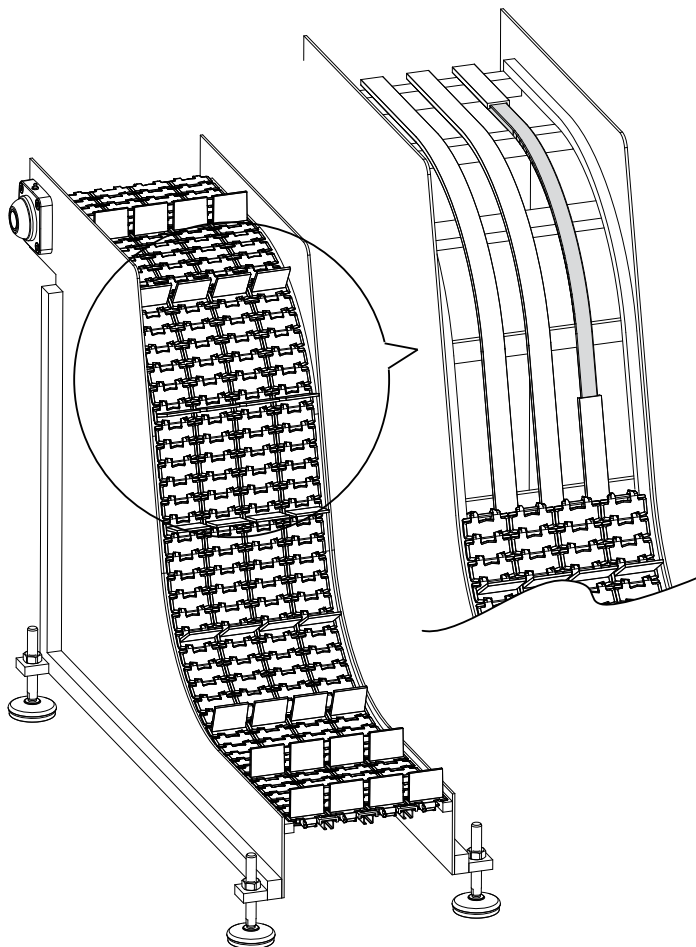
- 3 Mt. lengths version: This item is sold in Mt. - Min. 6 Mt. (2 lengths);
- 6 Mt. lengths version: This item is sold in Mt. - Min. 12 Mt. (2 lengths).

ON REQUEST:

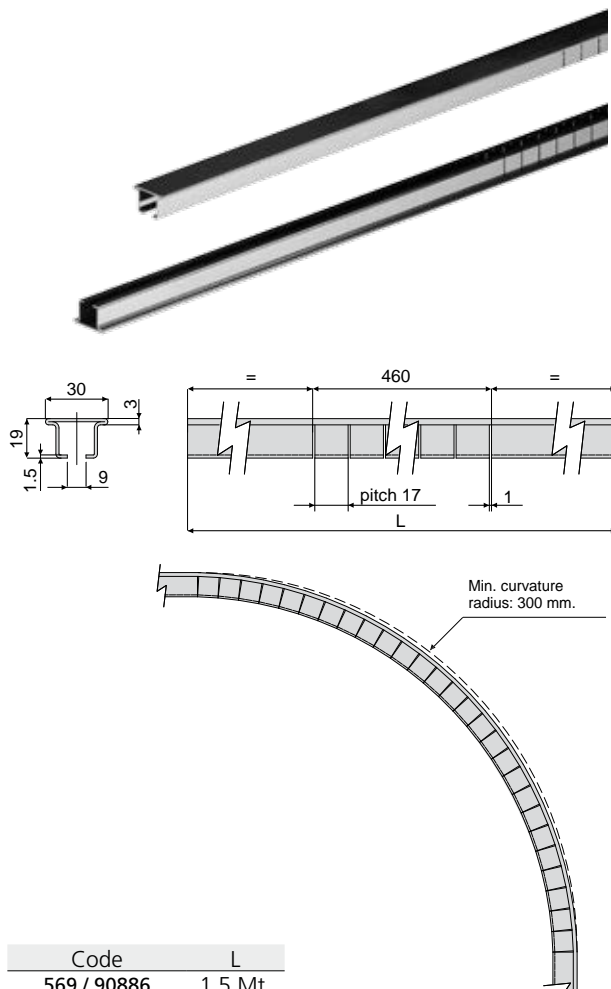
- Box quantity: According to your request.

Chain guides and accessories

Example of application



Chain guide profile Part. 569 (with bendable metal profile)



Code	L
569 / 90886	1,5 Mt.
569 / 90885	3,0 Mt.

MATERIALS: Metal profile in stainless steel AISI 430.

FEATURES: The grooves of the metal profile allow you to bend the guide to create curved paths. Supplied in 1.5 or 3 m bars.

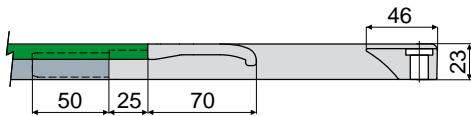
BOX QUANTITY: 2 pieces.

ON REQUEST:

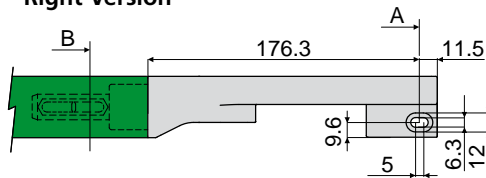
- Guide profiles: In different lengths.
- Box quantity: According to your request.

Chain guides and accessories

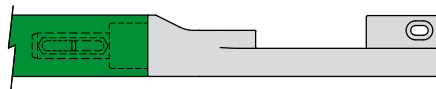
Part. 444 Chain inlet guide shoe (side)



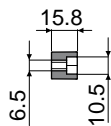
Right Version



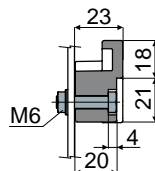
Left Version



Section B



Section A



For stainless steel profiles	
Version	Code
Right	444 / 85308
Left	444 / 85309

For aluminium profiles	
Version	Code
Right	444 / 88953
Left	444 / 89037

MATERIALS: Shoe in black polyamide.

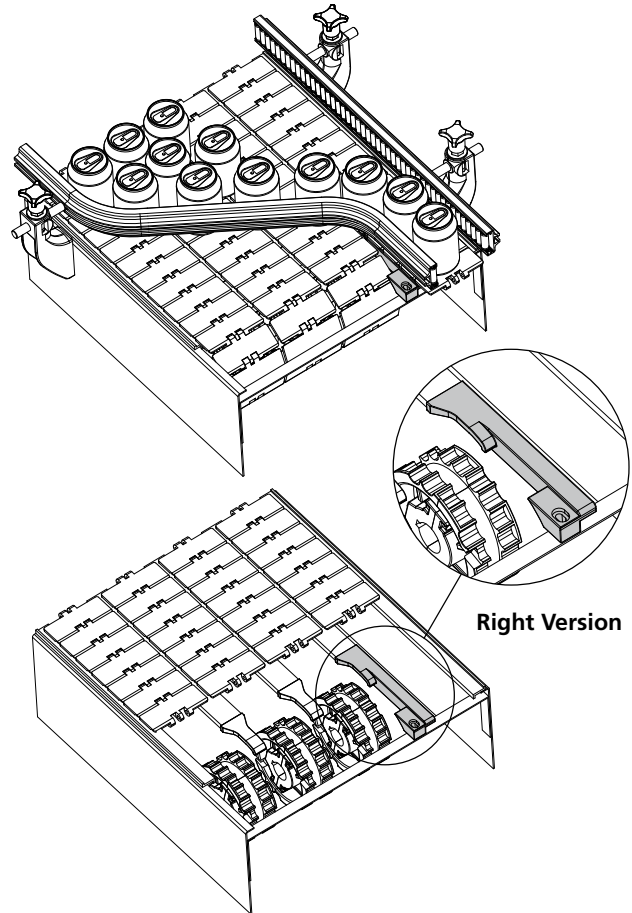
FEATURES: To be assembled near to the idler wheels to drive the chain on the transport guides: Part.381, 384, 513.

BOX QUANTITY: 24 pieces.

ON REQUEST:

- Shoes: In different colours.
- Box quantity: According to your request.

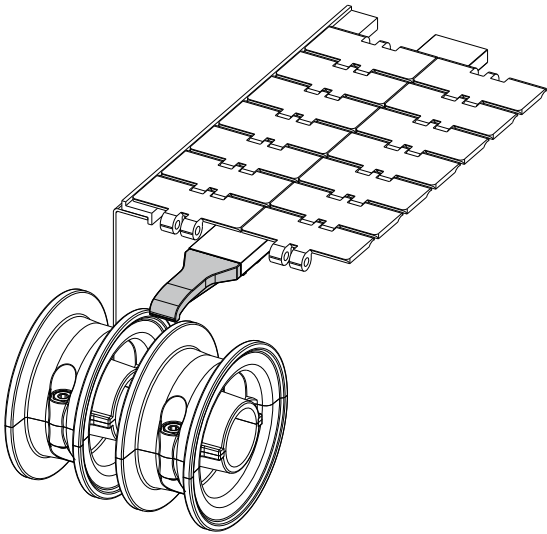
Example of application



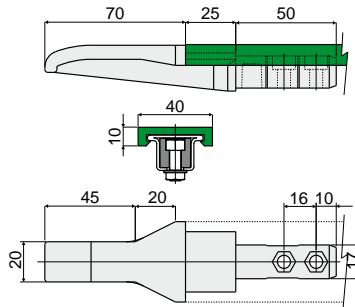
Right Version

Chain guides and accessories

Example of application



Chain inlet guide shoe Part. 389 (central)



For stainless steel profiles

Code
389 / 84165

For aluminium profiles

Code
389 / 89049

MATERIALS: Shoe in black polyamide.

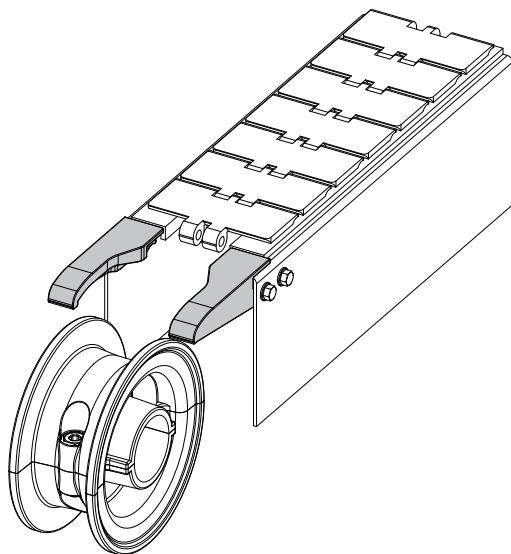
FEATURES: To be assembled near to the idler wheels to drive the chain on the transport guides: Part.381, 384, 513.

BOX QUANTITY: 24 pieces.

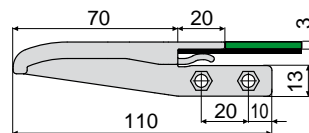
ON REQUEST:

- Shoes: In different colours.
- Box quantity: According to your request.

Example of application

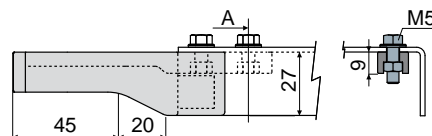


Chain inlet guide shoe Part. 519

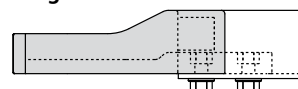


Left Version

Section A



Right Version



Version	Code
Right	519 / 87254
Left	519 / 87255
Right + Left	519 / 87256

MATERIALS: Shoe in black polyamide.

FEATURES: To be assembled near to the idler wheels to drive the chain on the transport guides.

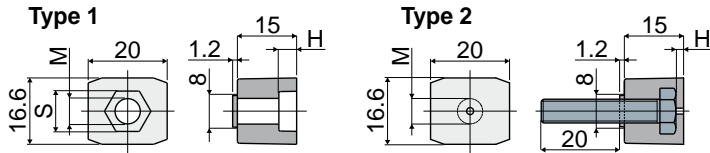
BOX QUANTITY: 24 pieces.

ON REQUEST:

- Shoes: In different colours.
- Box quantity: According to your request.

Chain guides and accessories

Part. 390 Mounting block for chain guide profile



Type 1 (without screw)			
Code	M	H	S
390 / 84166	M6	4,5	10
390 / 84167	M8	6	13

Type 2 (with screw)		
Code	M	H
390 / 87189	M6	2

MATERIALS: Mounting block in reinforced polyamide, black colour; screw in stainless steel.

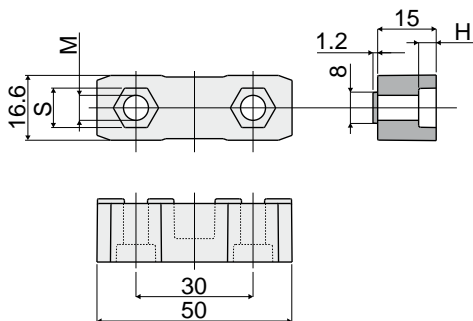
FEATURES: To be used for the guide fixing on the frame: Part.381, 384, 513 (excluding versions with aluminium metal profile).

BOX QUANTITY: 96 pieces.

ON REQUEST:

- Mounting blocks: In different colours.
- Box quantity: According to your request.

Part. 391 Connecting block for chain guide profile



Code	M	H	S
391 / 84168	M6	4,5	10
391 / 84169	M8	6	13

MATERIALS: Connecting block in reinforced polyamide, black colour.

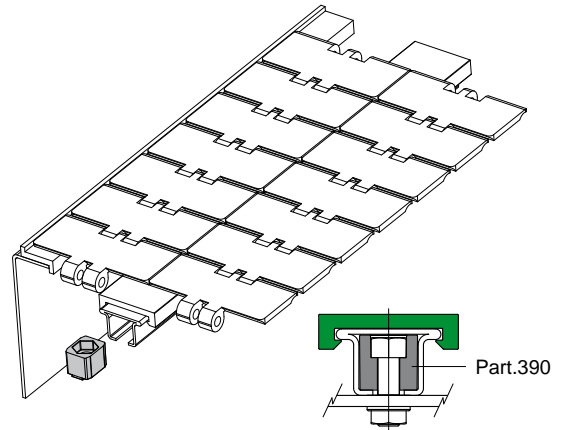
FEATURES: To be used to joint the guides: Part.381, 384, 513 (excluding versions with aluminium metal profile).

BOX QUANTITY: 48 pieces.

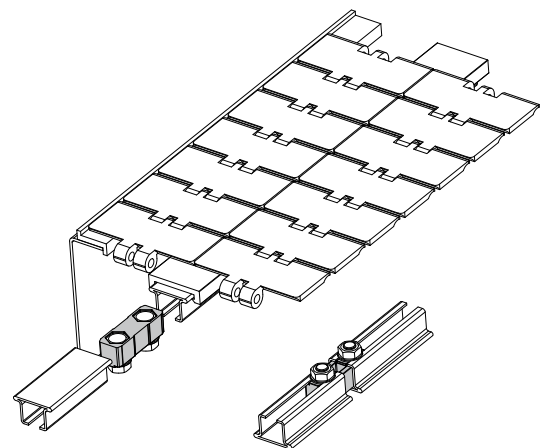
ON REQUEST:

- Connecting blocks: In different colours.
- Box quantity: According to your request.

Example of application

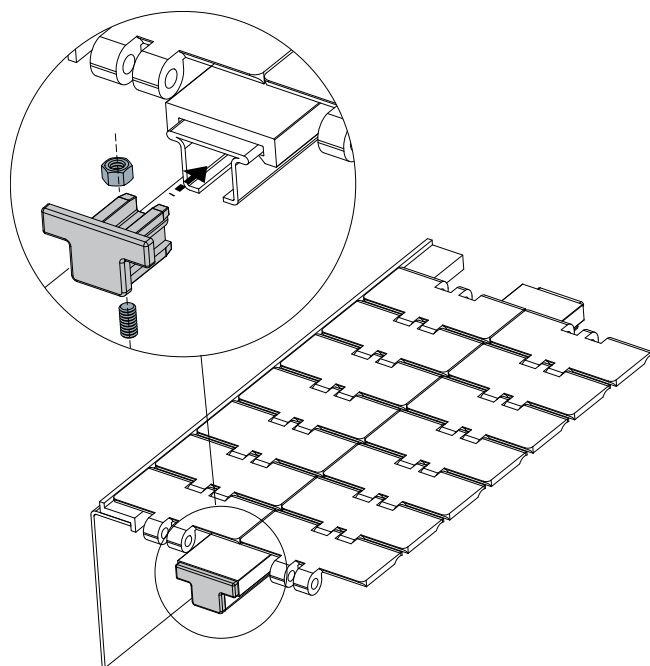
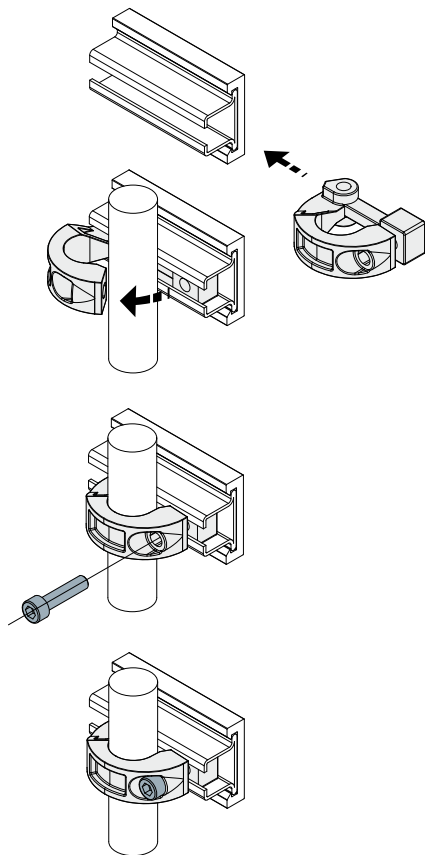


Example of application



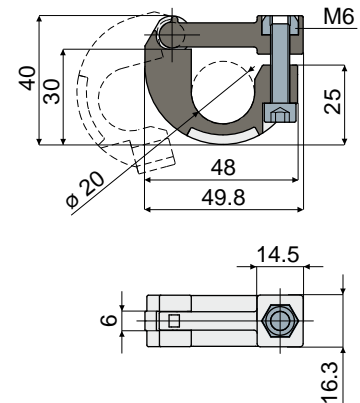
Chain guides and accessories

Example of application



Example of application

Hinge joint Part. 461



Code
461 / 85473

MATERIALS: Joint in reinforced polyamide black colour; bolts and nuts in stainless steel AISI 304.

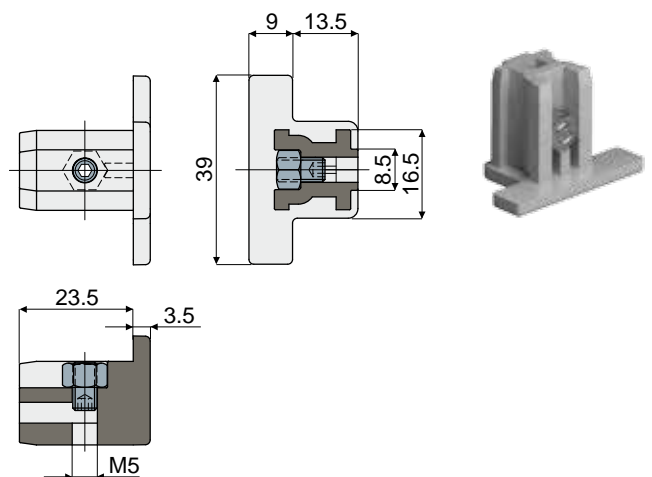
FEATURES: To be used to join the guides Part.381, 384, 513 (excluding versions with aluminium metal profile); supplied complete with bolts and nuts.

BOX QUANTITY: 8 pieces.

ON REQUEST:

- Joints: In other colours.
- Box quantity: According to your request.

Closing cap Part. 492 (for chain guide profile Part.381)



Code
492 / 87013

MATERIALS: Cap in reinforced polyamide grey colour; nut and grub screw in stainless steel AISI 304.

FEATURES: To be used as a closure cap at the extremities of the chain guide profiles Part.381, 384, 513 (excluding versions with aluminium metal profile).

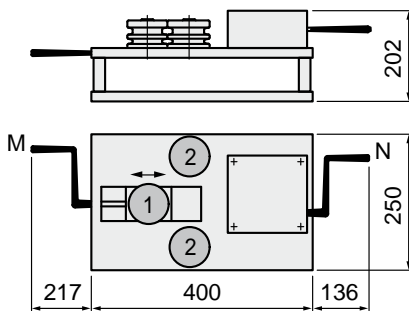
BOX QUANTITY: 24 pieces.

ON REQUEST:

- Assembling of: Nuts and grub screws.
- Box quantity: According to your request.

Product / chain guides and accessories

Part. 550 Guide rail bending machine (manual)



Code	Weight (Kg)
550 / 90466	23

MATERIALS: Steel and aluminium.

FEATURES: Manual functioning.

BOX QUANTITY: 1 machine.

ACCESSORIES: Bending rollers Part.547.

FUNCTIONING: The bending machine is made up of 3 roller shafts, operated manually by cranks.

The crank (M) displaces roller (1), to determine the bending radius.

The crank (N) activates the rotation of rollers (2).

The simultaneous rotation of handles (M) + (N) allows you to obtain the desired curve.

Bending rollers are supplied as accessories.

Each type of guide requires the use of its own bending rollers. The double groove rollers allow two guides of the same type to be bent simultaneously.

The bending machine allows you to create internal and external curves.



Bending procedure

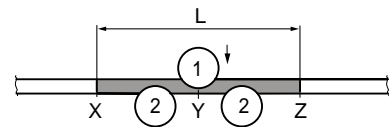
- Determine the length of the section to be bent L.

$$L = R \cdot K$$

R = bend radius
K = bend coefficient

Bend angle (degrees)	30°	60°	90°	120°	150°	180°
Bend coefficient K	0,5	1	1,5	2	2,5	3

- Sign the length L on the guide to be bent and mark the beginning of the curve (X), the end (Z) and the center line (Y).
 - Place the guide between the rollers.
 - Acting on crank (M), displace the roller (1) in contact with the guide.



- Acting on crank (M), adjust the displacement of the roller (1) in order to obtain the right radius.
 - Acting on crank (N), rotate the rollers (2) clockwise / anti clockwise, moving the guide to position X (Fig. A) or Z (Fig. B). To obtain the desired radius curve, it is necessary a minimum number of shifts (minimum two radius increments). In order to obtain a seamless transition between the curve and the straight section, it is recommended to exceed the ends of the curve (points X and Z) by at least 20 mm.

Fig.A

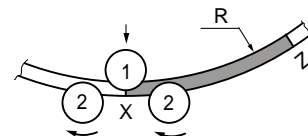
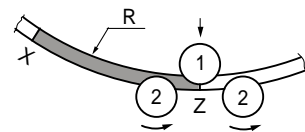


Fig.B



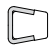
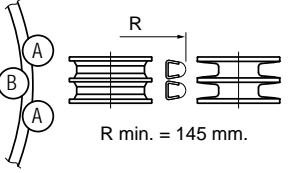
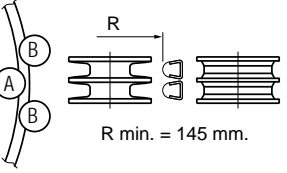

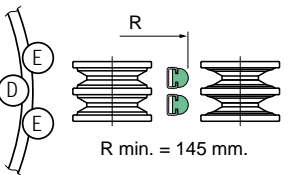
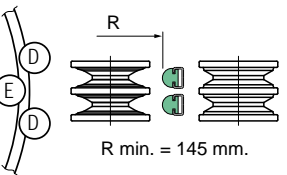


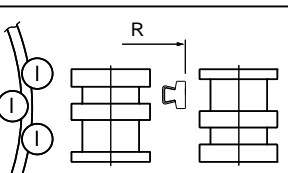
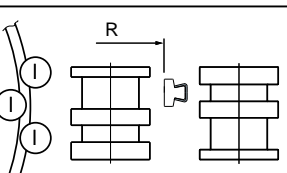

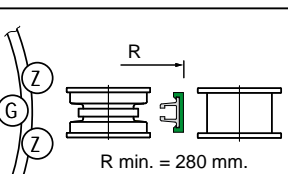
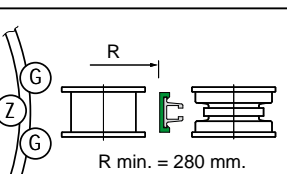
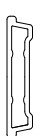

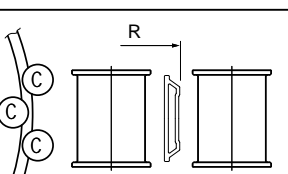
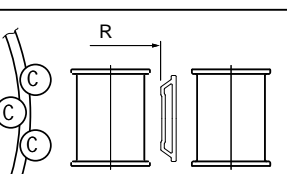

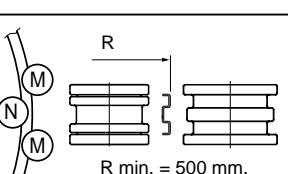
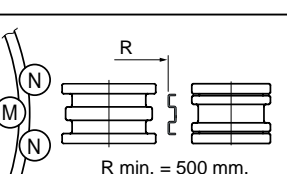

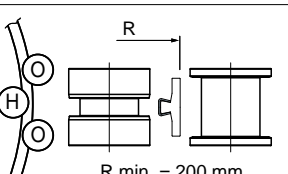
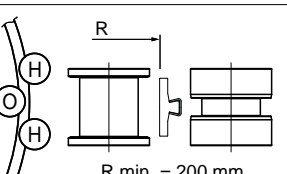

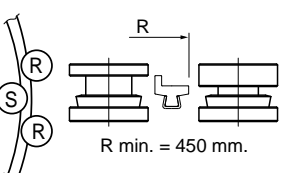
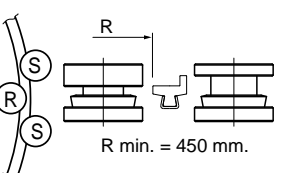


Product / chain guides and accessories

Rollers for bending (for Part.550)

Part. 547



Part.	Type of guide to bend	INTERNAL CURVE, POSITION OF ROLLERS	EXTERNAL CURVE, position of rollers	Code	Quantity of rollers	Material
547	Part.354  Part.419  Part.418 	 R min. = 145 mm.	 R min. = 145 mm.	90423	4	Steel
	Part.373 	 R min. = 145 mm.	 R min. = 145 mm.	90508	4	Steel
	Part.469  Part.420 	 R min. = 160 mm.	 R min. = 160 mm.	90424	3	Polyamide
	Part.381 	 R min. = 280 mm.	 R min. = 280 mm.	90510	4	Steel
	Part.463 Part.528  	 R min. = 200 mm.	 R min. = 200 mm.	90511	3	Steel
	Part.330 	 R min. = 500 mm.	 R min. = 500 mm.	90512	4	Steel
	Part.485 	 R min. = 200 mm.	 R min. = 200 mm.	90513	4	Polyamide
	Part.446 	 R min. = 450 mm.	 R min. = 450 mm.	90514	4	Steel

MATERIALS: Steel or polyamide.


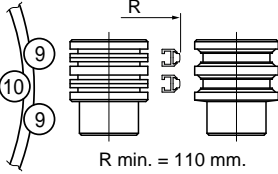
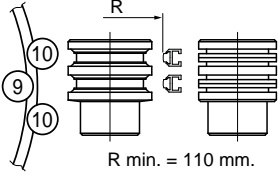

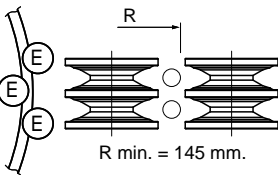
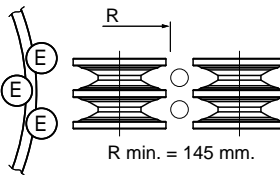
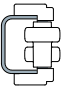
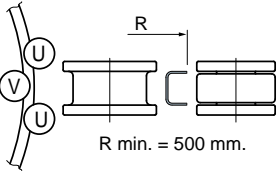
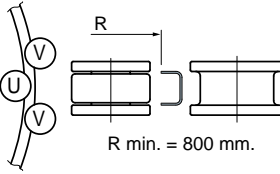
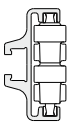
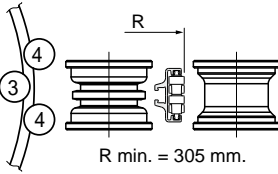
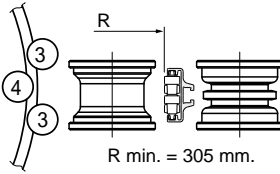
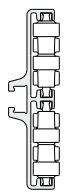
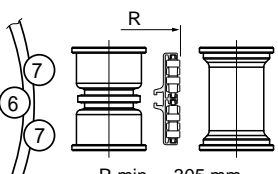
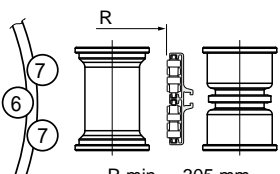
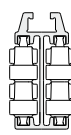
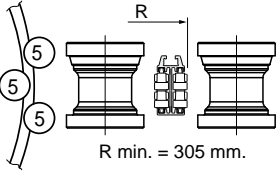
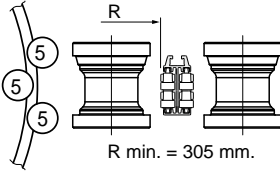
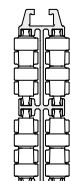
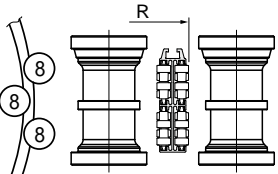
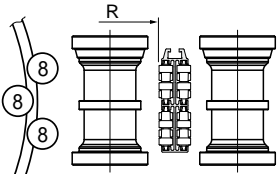
FEATURES: The double groove rollers allow two guides of the same type to be bent simultaneously.

BOX QUANTITY: 1 set of rollers.

Product / chain guides and accessories

Part. 547 Rollers for bending (for Part.550)



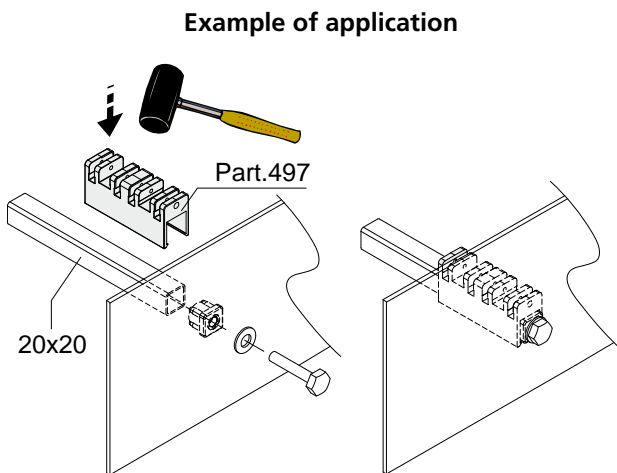
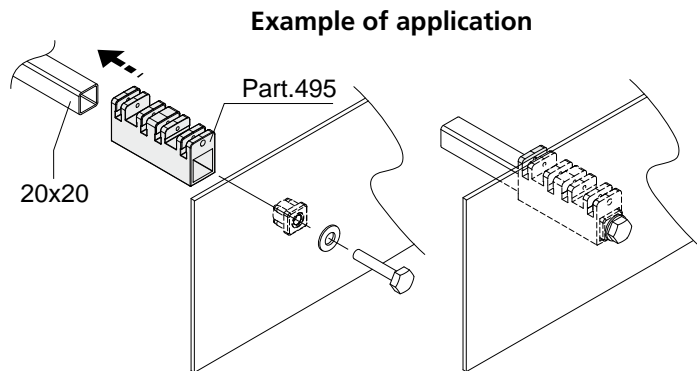
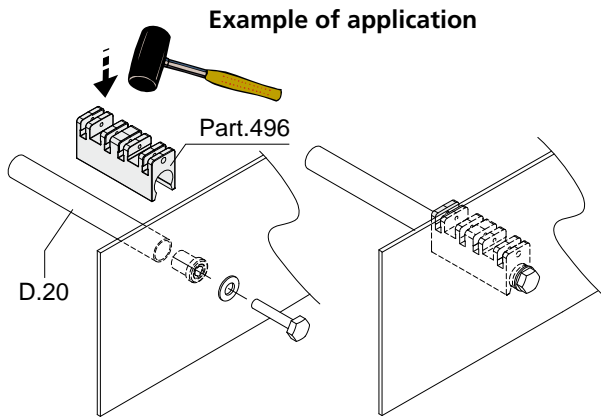
Part.	Type of guide to bend	INTERNAL CURVE, POSITION OF ROLLERS	EXTERNAL CURVE, position of rollers	Code	Quantity of rollers	Material
547	Part.438 	 R min. = 110 mm.	 R min. = 110 mm.	90515	4	Steel
	 for rods from Ø8 to Ø14 mm.	 R min. = 145 mm.	 R min. = 145 mm.	90425	3	Steel
	Part.502 	 R min. = 500 mm.	 R min. = 800 mm.	90516	4	Steel
	Part.355 Part.467 Part.306 Part.468 Part.325 	 R min. = 305 mm.	 R min. = 305 mm.	90517	4	Polyamide
	Part.356 Part.474 Part.307 Part.326 Part.477 	 R min. = 305 mm.	 R min. = 305 mm.	90518	4	Polyamide
	Part.308 Part.475 Part.327 Part.479 Part.357 	 R min. = 305 mm.	 R min. = 305 mm.	90519	3	Polyamide
	Part.358 Part.319 Part.476 Part.328 Part.479 	 R min. = 305 mm.	 R min. = 305 mm.	90520	3	Polyamide

MATERIALS: Steel or polyamide.

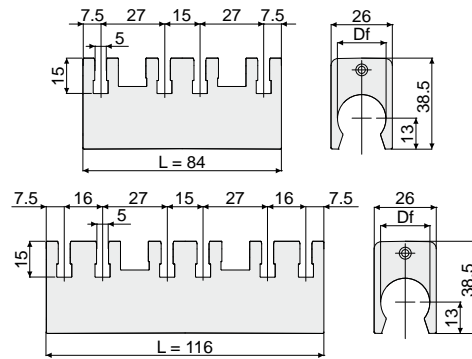
FEATURES: The double groove rollers allow two guides of the same type to be bent simultaneously.

BOX QUANTITY: 1 set of rollers.

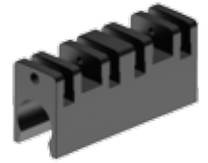
Chain guides and accessories



Spacer for chain return (open version, for round tubes)



Part. **496**

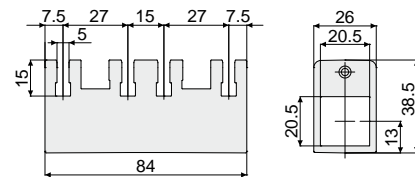


Df Bore for round tubes of (mm)	L	Code
20	84	496 / 87017
	116	496 / 87018

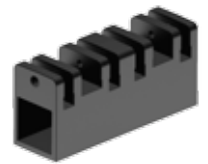
MATERIALS: Spacer in polyamide black colour.
FEATURES: To be used together with the sliding profile Part.499.
BOX QUANTITY: 24 pieces.
ON REQUEST:

- Spacers: In different colours.
- Box quantity: According to your request.

Spacer for chain return (closed version, for square tubes)



Part. **495**

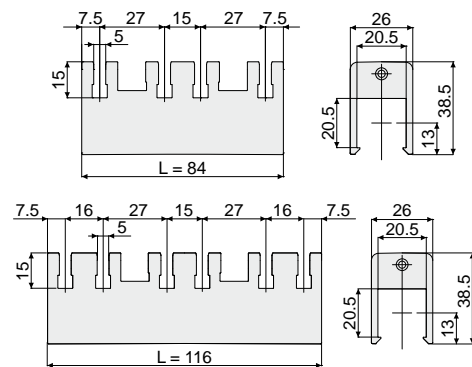


Code
495 / 87016

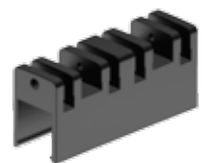
MATERIALS: Spacer in polyamide black colour.
FEATURES: To be used together with the sliding profile Part.499.
BOX QUANTITY: 24 pieces.
ON REQUEST:

- Spacers: In different colours.
- Box quantity: According to your request.

Spacer for chain return (open version, for square tubes)



Part. **497**



Df Bore for square tubes of (mm)	L	Code
20x20	84	497 / 87019
	116	497 / 87020

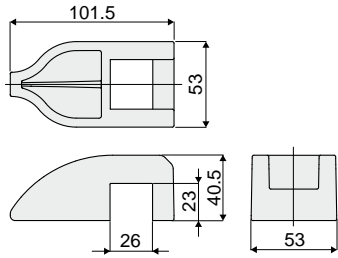
MATERIALS: Spacer in polyamide black colour.
FEATURES: To be used together with the sliding profile Part.499.
BOX QUANTITY: 24 pieces.
ON REQUEST:

- Spacers: In different colours.
- Box quantity: According to your request.

Chain guides and accessories

Part. 471

Shoe for chain return



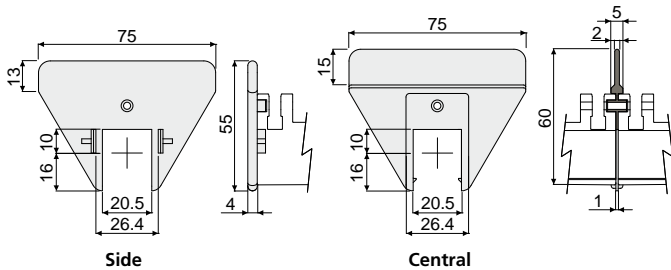
Code
471 / 85796

MATERIALS: Shoe is made of HD polyethylene green colour.
FEATURES: To be used together with the spacers Part.495, 496, 497 and with the profile Part.499. Pressure mounting.
BOX QUANTITY: 24 pieces.
ON REQUEST:

- Shoes: In different colours.
- Box quantity: According to your request.

Part. 498

Striker



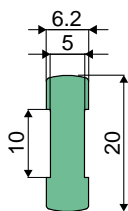
Type	Code
Side	498 / 87021
Central	498 / 87022

MATERIALS: Striker in polyamide black colour.
FEATURES: To be used together with the spacers Part.495, 496, 497.
BOX QUANTITY: 24 pieces.
ON REQUEST:

- Strikers: In different colours.
- Box quantity: According to your request.

Part. 499

Sliding profile

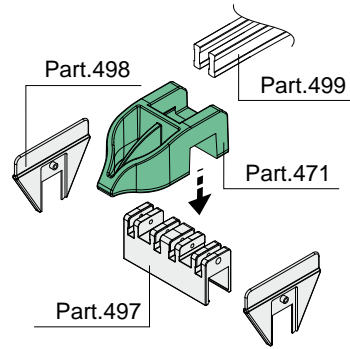


Code
499 / 87023

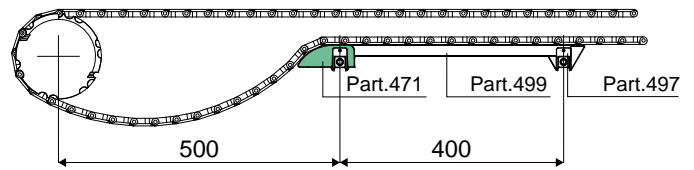
MATERIALS: Extruded polyethylene green colour.
FEATURES: To be used together with the spacers Part.495, 496, 497.
BOX QUANTITY: This item is sold in Mt. - Min. 60 Mt.
ON REQUEST:

- Profiles: Different colours and lengths.
- Box quantity: According to your request.

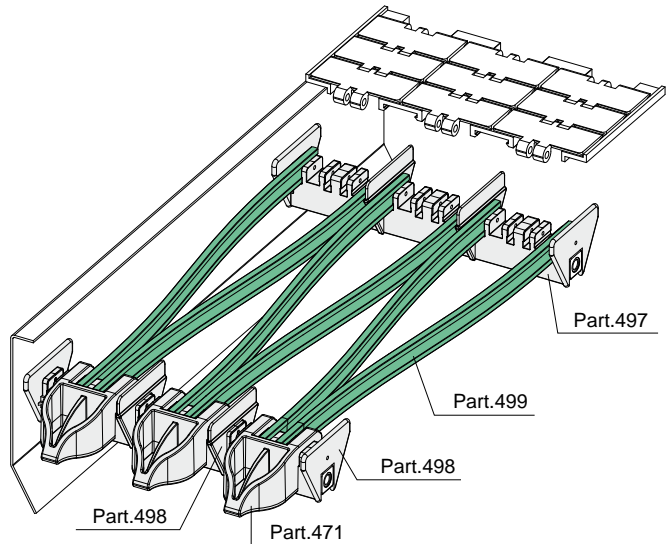
Example of application



Example of application

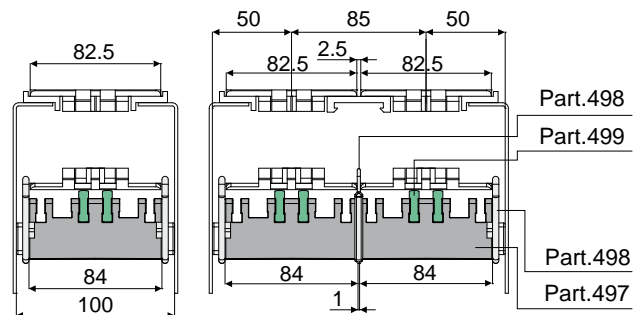


Example of application

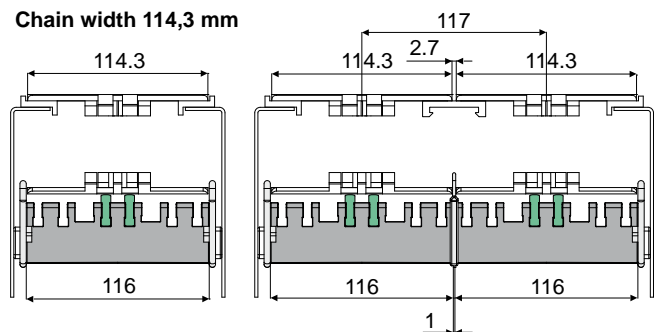


Example of mounting

Chain width 82,5 mm



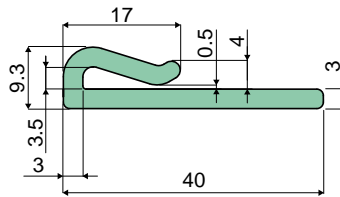
Chain width 114,3 mm



Chain guides and accessories

Extruded profile supplied in coils of 50 / 60 Mt. for plates from 2 to 4 mm.

Part. **361**



Code

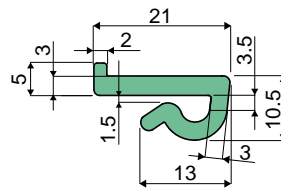
361 / 83717

MATERIALS: Extruded UHMWPE green colour.

BOX QUANTITY: This item is sold in Mt. - Min. 50 Mt.

Extruded profile supplied in coils of 60 Mt. for plates from 2 to 4 mm.

Part. **362**



Code

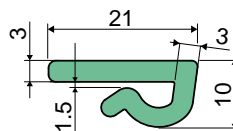
362 / 83718

MATERIALS: Extruded UHMWPE green colour.

BOX QUANTITY: This item is sold in Mt. - Min. 60 Mt.

Extruded profile supplied in coils of 60 Mt. for plates from 2 to 4 mm.

Part. **363**



Code

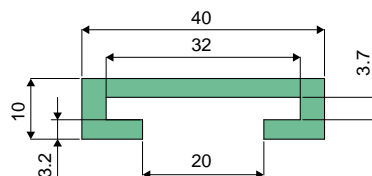
363 / 83719

MATERIALS: Extruded UHMWPE green colour.

BOX QUANTITY: This item is sold in Mt. - Min. 60 Mt.

Extruded chain guide profiles for flat 30x3 mm. supplied in 3 Mt. Lengths

Part. **364**



Code

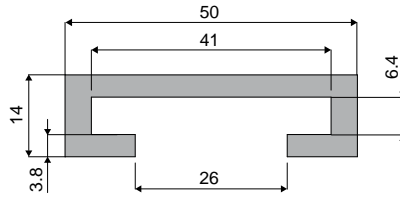
364 / 83720

MATERIALS: Extruded UHMWPE green colour.

BOX QUANTITY: This item is sold in Mt. - Min. 6 Mt. (2 lengths).

Chain guides and accessories

Part. 365 Extruded chain guide profiles for flat 40x6 mm. supplied in 3 / 6 Mt. Lengths



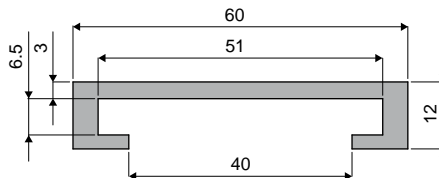
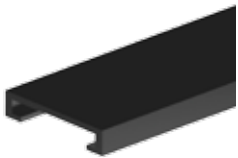
Code	Length
365 / 84087	3 Mt.
365 / 83721	6 Mt.

MATERIALS: Extruded UHMWPE black colour.

BOX QUANTITY:

- 3 Mt. lengths version: This item is sold in Mt. - Min. 6 Mt. (2 lengths);
- 6 Mt. lengths version: This item is sold in Mt. - Min. 12 Mt. (2 lengths).

Part. 366 Extruded chain guide profiles for flat 50x6 mm. supplied in 3 / 6 Mt. Lengths



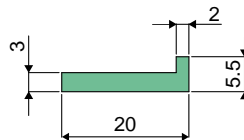
Code	Length
366 / 84239	3 Mt.
366 / 83722	6 Mt.

MATERIALS: Extruded UHMWPE black colour.

BOX QUANTITY:

- 3 Mt. lengths version: This item is sold in Mt. - Min. 6 Mt. (2 lengths);
- 6 Mt. lengths version: This item is sold in Mt. - Min. 12 Mt. (2 lengths).

Part. 367 Extruded chain guide profiles supplied in coils of 60 Mt.

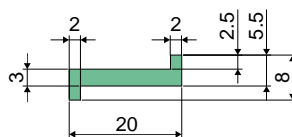


Code
367 / 83723

MATERIALS: Extruded UHMWPE green colour.

BOX QUANTITY: This item is sold in Mt. - Min. 60 Mt.

Part. 368 Extruded chain guide profiles supplied in coils of 60 Mt.



Code
368 / 83724

MATERIALS: Extruded UHMWPE green colour.

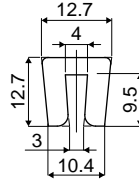
BOX QUANTITY: This item is sold in Mt. - Min. 60 Mt.

Product guides and accessories

Extruded product guide rails supplied in coils of 50 Mt. for plates 4 mm.

Part. **596**

NEW



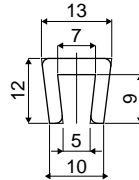
Code

596 / 91182

MATERIALS: Extruded UHMWPE white colour.
BOX QUANTITY: This item is sold in Mt. - Min. 50 Mt.

Extruded product guide rails supplied in coils of 50 Mt. for plates from 6 to 7 mm.

Part. **369**



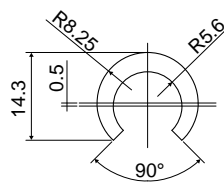
Code

369 / 83725

MATERIALS: Extruded UHMWPE white colour.
BOX QUANTITY: This item is sold in Mt. - Min. 50 Mt.

Extruded product guide rails in coils of 60 Mt.

Part. **370**



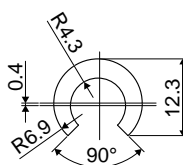
Code

370 / 83726

MATERIALS: Extruded HMWPE white colour.
FEATURES: To be used with 12 mm diameter rods.
BOX QUANTITY: This item is sold in Mt. - Min. 60 Mt.

Extruded product guide rails in coils of 60 Mt.

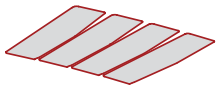
Part. **371**



Code

371 / 83727

MATERIALS: Extruded HMWPE white colour.
FEATURES: To be used with 10 mm diameter rods.
BOX QUANTITY: This item is sold in Mt. - Min. 60 Mt.



Special products

Part	Pag.
700	189
702	188
704	189
705	194
706	194
707	194
710	190
711	190
713	188
714	191
715	192
716	192
717	192
718	193
719	191
720	193
721	193
Corner tracks	195
Straight tracks.....	195

The products shown in this part are available only on request

Chains and accessories

 Part. 702 pag. 188	 Part. 713 pag. 188	 Part. 700 pag. 189	 Part. 704 pag. 189
 Part. 710 pag. 190	 Part. 711 pag. 190	 Part. 719 pag. 191	 Part. 714 pag. 191
 Part. 715 pag. 192	 Part. 716 pag. 192	 Part. 717 pag. 192	 Part. 718 pag. 193
 Part. 720 pag. 193	 Part. 721 pag. 193	 Part. 705 pag. 194	 Part. 706 pag. 194
 Part. 707 pag. 194			

Corner and straight tracks

 Corner tracks pag. 195	 Straight tracks pag. 195
--	--

Chains and accessories

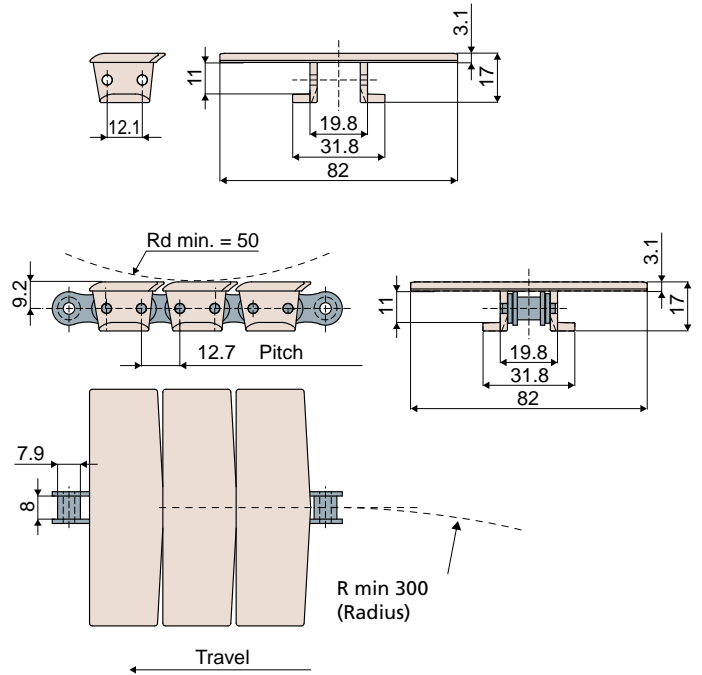
Part. 702 Top plate (for roller chains)



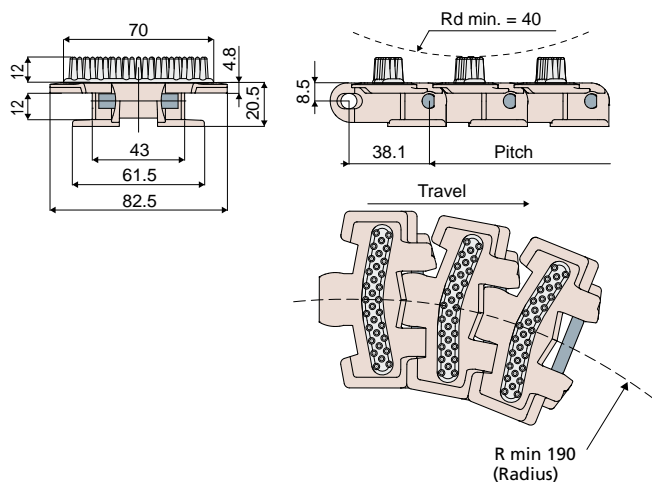
Code
702 / 86231

MATERIALS: Top plate made of brown colour acetal.
FEATURES: Mounting with roller chains type ASA 40 Sidebow.
BOX QUANTITY: 24 pieces.
ON REQUEST:

- Chain: Type Asa 40 Sidebow.
- Box quantity: According to your request.



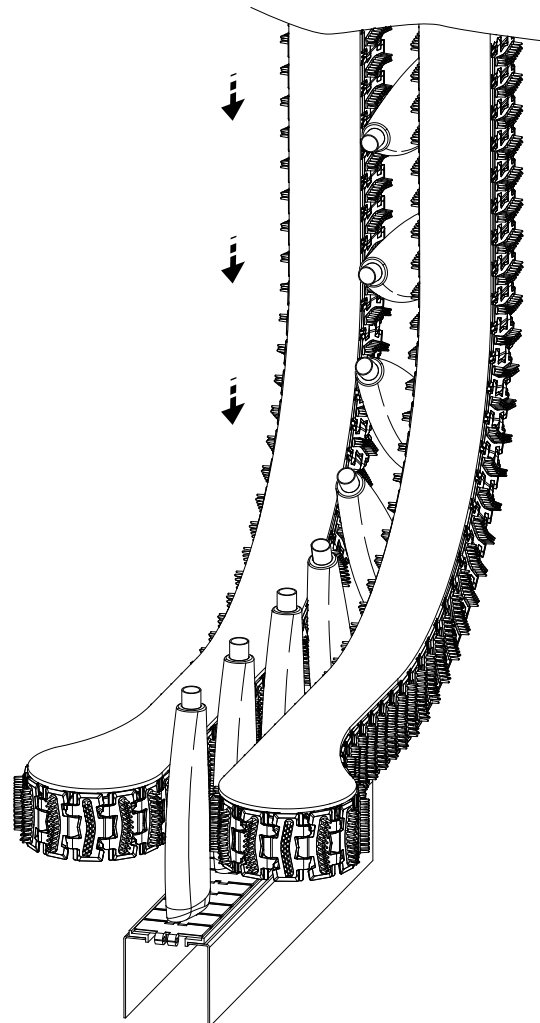
Part. 713 Sideflex chain with rubber top (879 TAB BO)



Code
713 / 87153

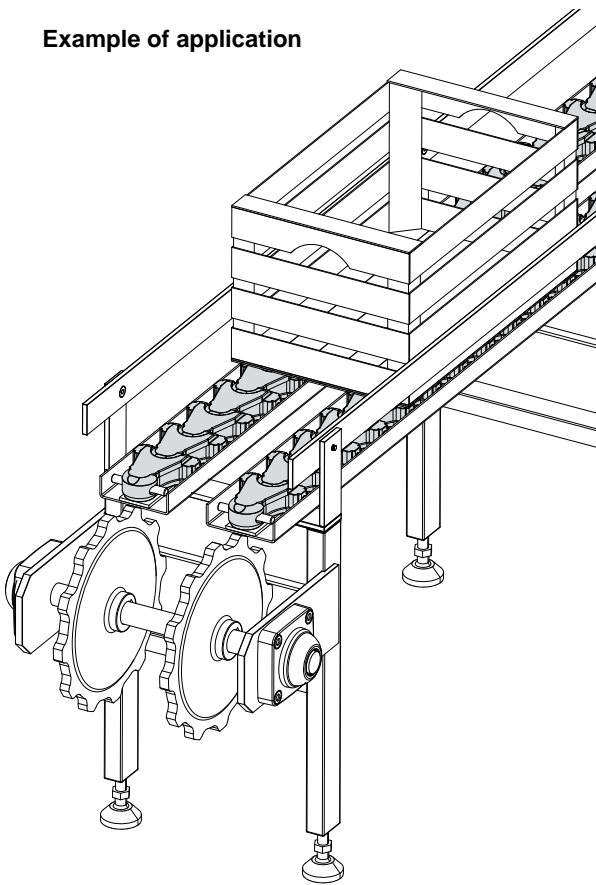
MATERIALS: Top plates in brown colour acetal; grey colour thermoplastic rubber; pins in stainless steel AISI 304.
FEATURES: To be used with wheels: Part.310, 454, 455, 456, 457, 458, 459, 582, 583, 584, 585, 586, 587; ideal for elevators. Max. working load: 2100 N.
BOX QUANTITY: 3,05 Mt.

Example of application



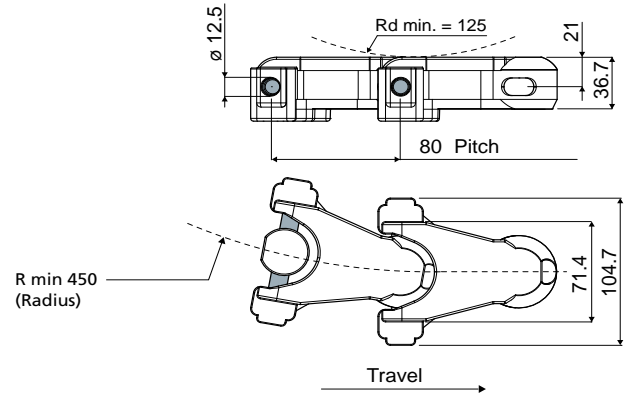
Chains and accessories

Example of application



Cardanic chain Part. 700

(sideflexing for important loads; pitch 80 mm)



Code
700 / 84113

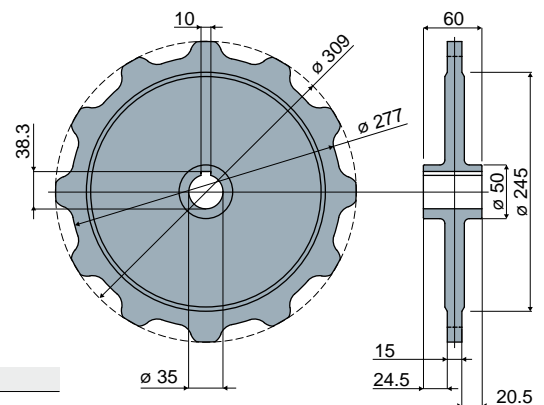
MATERIALS: Chain made of natural acetal; notch made of polyamide; pin made of stainless steel AISI 430.

FEATURES: To be used in the conveyor systems; for important loads (breaking load: 19600 N).

BOX QUANTITY: 3,040 meters.

Sprocket 12 teeth Part. 704

(for cardanic chain Part. 700)



Code
704 / 84207

MATERIALS: Sprockets in zinc plated steel.

FEATURES: To be used with chain Part.700.

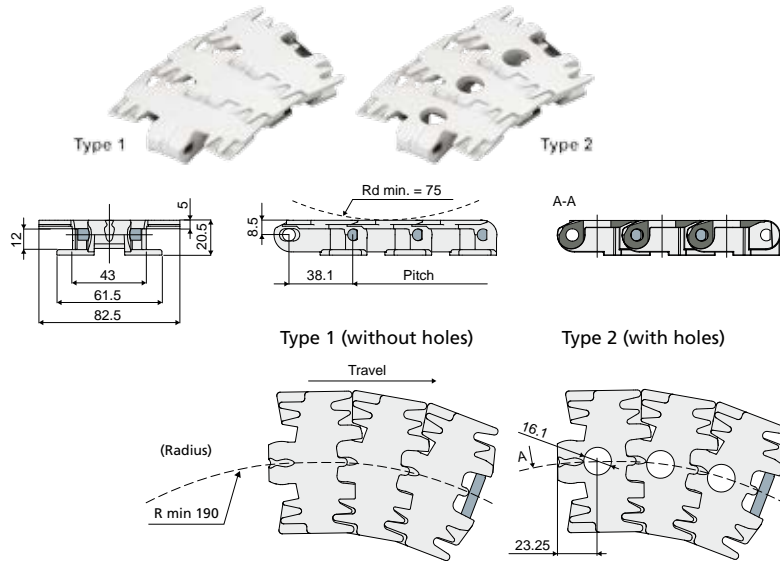
BOX QUANTITY: 2 pieces.

ON REQUEST:

- Box quantity: According to your request.

Chains and accessories

Part. 710 Sideflex chain (879 TAB Safety Finger)



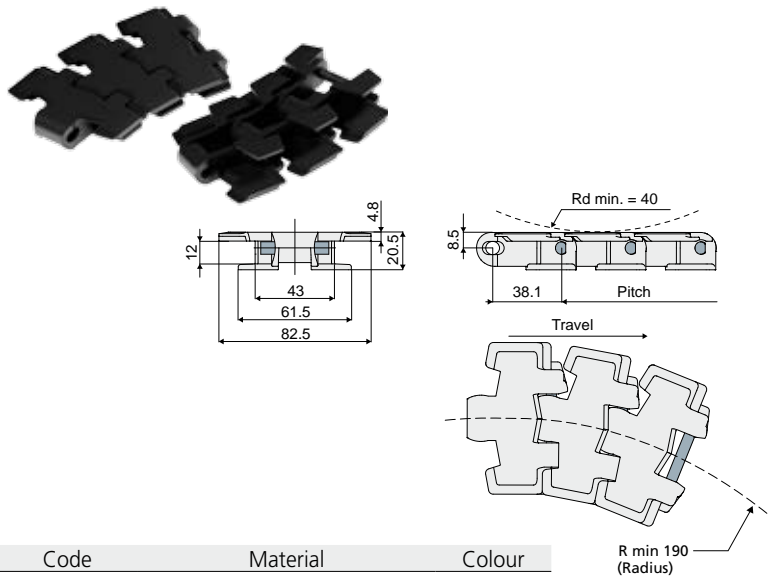
Code	Type	Material	Colour
710 / 85400	1	Acetal	White
710 / 86206	1	Acetal	Brown
710 / 86096	1	Electroconductive acetal	Black
710 / 90438	2	Acetal	White

MATERIALS: Top plates made of white or brown colour acetal or black colour electroconductive acetal; pins made of stainless steel AISI 304.

FEATURES: To be used with wheels: Part.310, 454, 455, 456, 457, 458, 459, 582, 583, 584, 585, 586, 587. Max. working load: 2100 N. The version with holes (Type 2) can be used in systems where the release of shavings during the transport phases is expected (see example alongside); the holes facilitate the disposal of the shavings.

BOX QUANTITY: 3,05 Mt.

Part. 711 Sideflex chain (879 TAB Safety Finger)



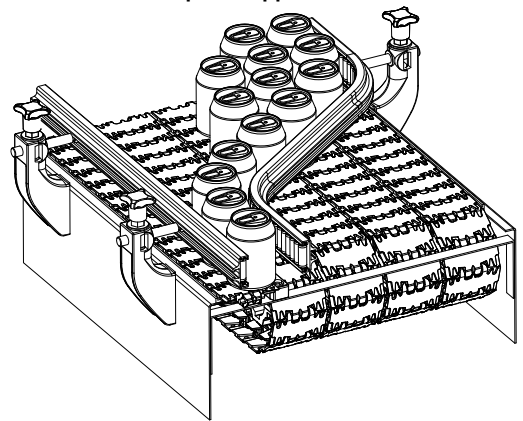
Code	Material	Colour
711 / 86729	Acetal	Brown
711 / 86730	PA + auto-lubricating additive	Black

MATERIALS: Top plates in brown colour acetal or in black colour polyamide with auto-lubricating additive; pins in stainless steel AISI 304.

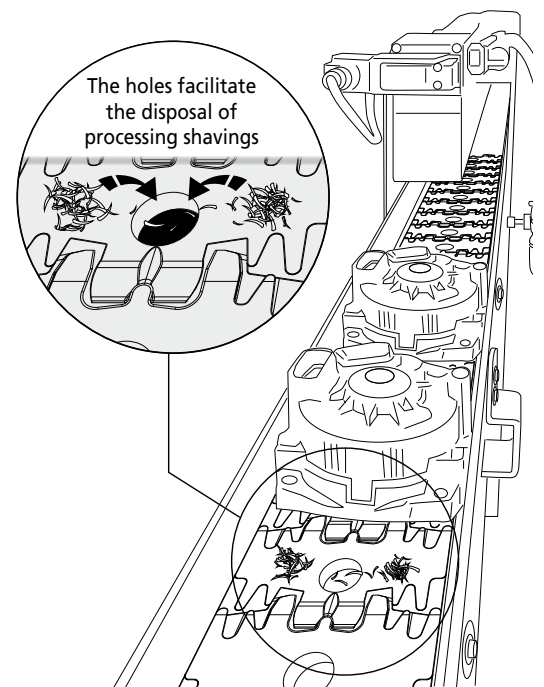
FEATURES: To be used with wheels: Part.310, 454, 455, 456, 457, 458, 459, 582, 583, 584, 585, 586, 587. Max. working load: 2100 N.

BOX QUANTITY: 3,05 Mt.

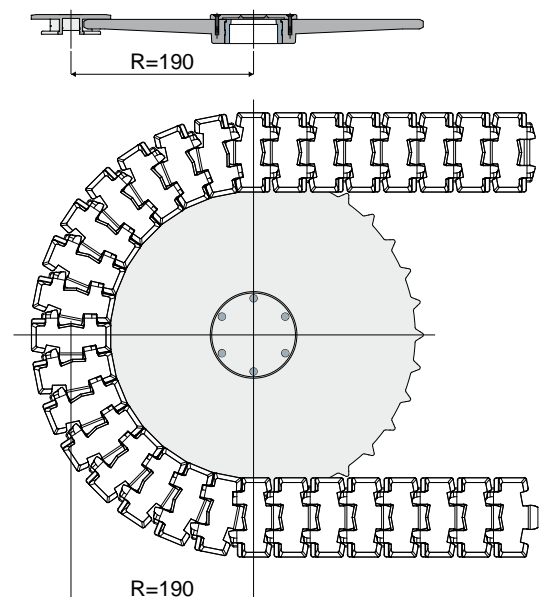
Example of application



Example of application

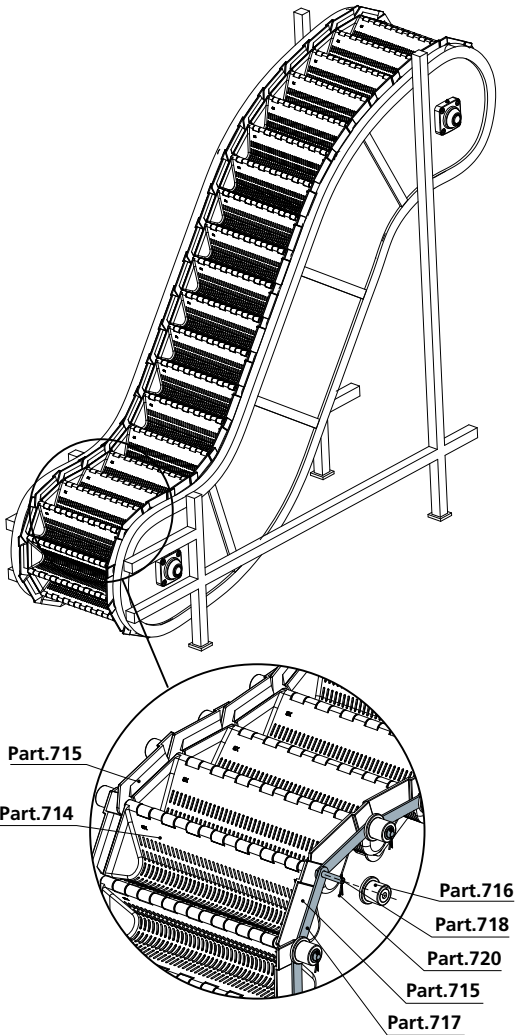


Example of application



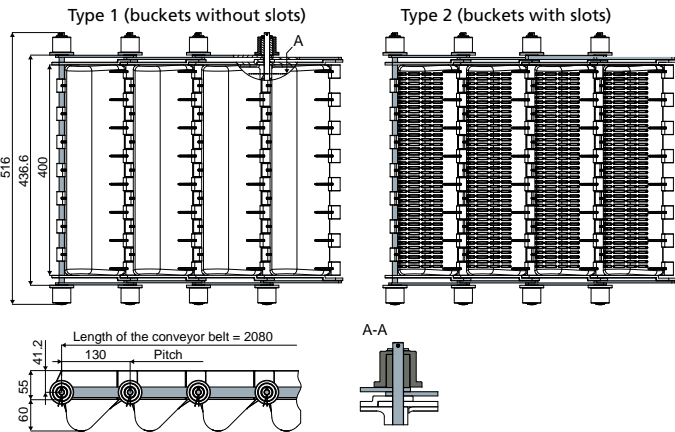
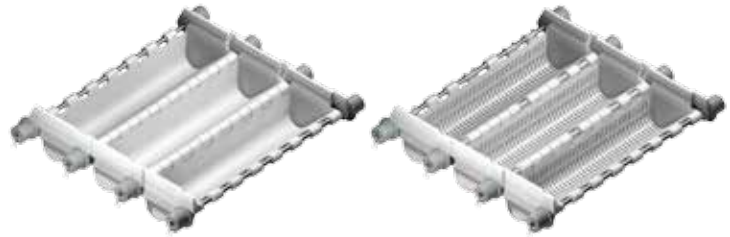
Chains and accessories

Example of application



Bucket conveyor (pitch 130 mm.)

Part. **719**



MATERIALS: Buckets and side panels in polypropylene, white colour; pins, connecting rods and split pins in stainless steel AISI 304; rollers in polyamide.

FEATURES: For use in lifting transport. Available in versions with and without slots. Min. curvature radius: 150 mm. Min. counter-curve radius: 350 mm.

Working load of a single bucket: 2.5 kg.

BOX QUANTITY: 2.08 m (16 buckets).

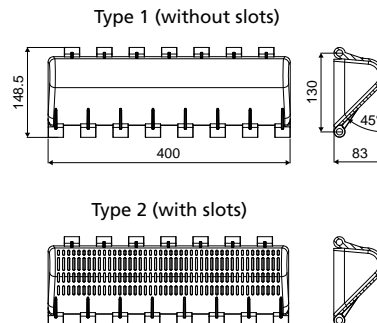
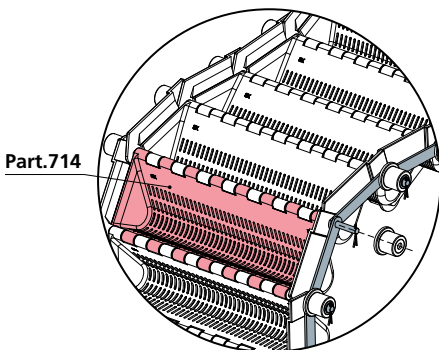
ON REQUEST:

- Conveyors: In different colours.
- Box quantity: According to your request.

Code	Type
719 / 90435	1
719 / 90436	2

Bucket (for Part.719)

Part. **714**



MATERIALS: Buckets in polypropylene, white colour.

FEATURES: To be used in the bucket conveyors Part.719. Available in versions with and without slots.

BOX QUANTITY: 25 pieces.

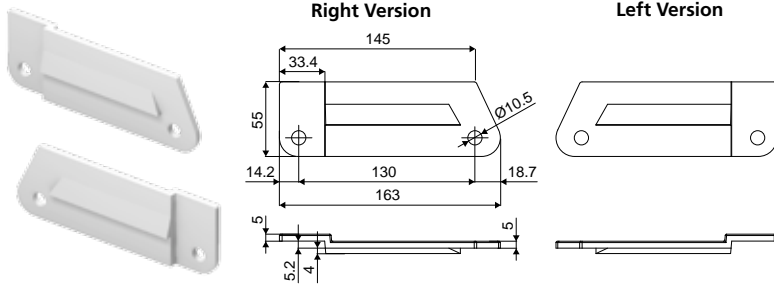
ON REQUEST:

- Buckets: In different colours.
- Box quantity: According to your request.

Code	Type
714 / 90428	1
714 / 90429	2

Chains and accessories

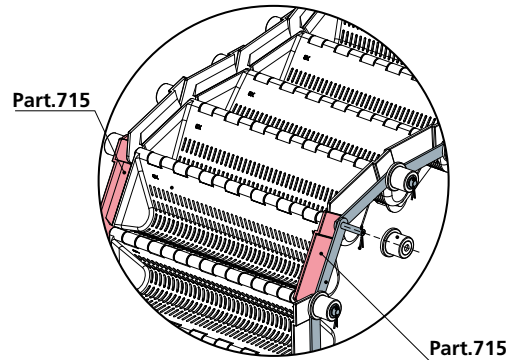
Part. 715 Side panel (for Part.719)



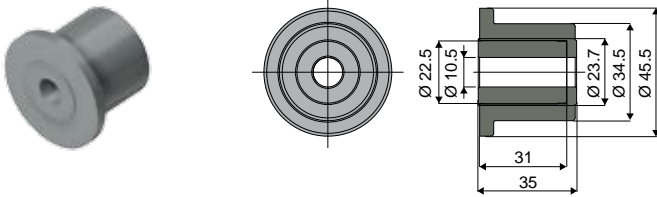
Code	Version
715 / 90430	Left
715 / 90431	Right

MATERIALS: Side panels in polypropylene, white colour.
FEATURES: To be used in the bucket conveyors Part.719.
BOX QUANTITY: 25 pieces.
ON REQUEST:

- Side rails: In different colours.
- Box quantity: According to your request.



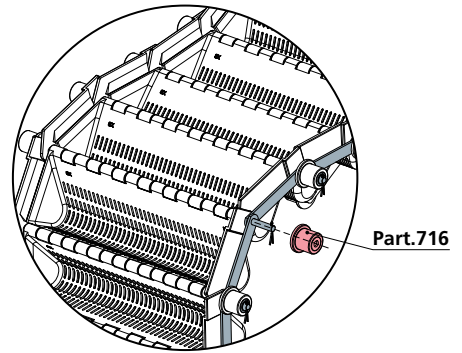
Part. 716 Roller (for Part.719)



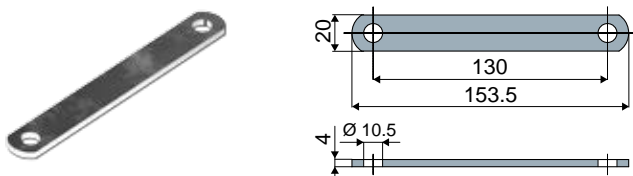
Code
716 / 90432

MATERIALS: Rollers in polyamide grey colour.
FEATURES: To be used in the bucket conveyors Part.719.
BOX QUANTITY: 50 pieces.
ON REQUEST:

- Rollers: In different colours.
- Box quantity: According to your request.



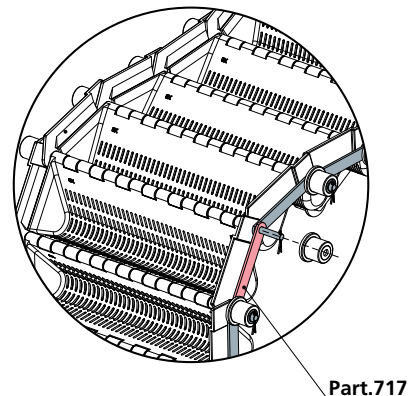
Part. 717 Connecting rod (for Part.719)



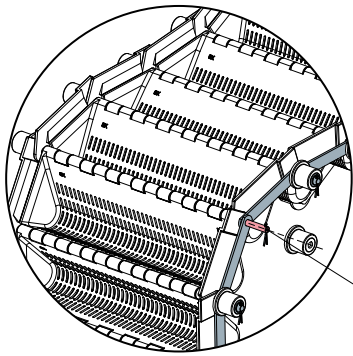
Code
717 / 90433

MATERIALS: Connecting rods in stainless steel AISI 304.
FEATURES: To be used in the bucket conveyors Part.719.
BOX QUANTITY: 50 pieces.
ON REQUEST:

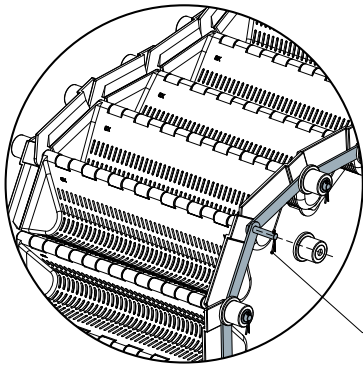
- Box quantity: According to your request.



Chains and accessories

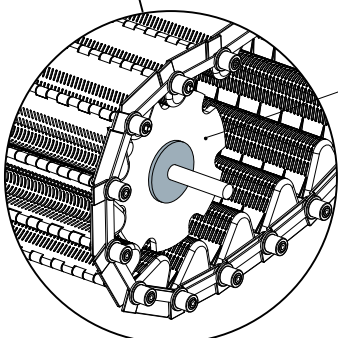
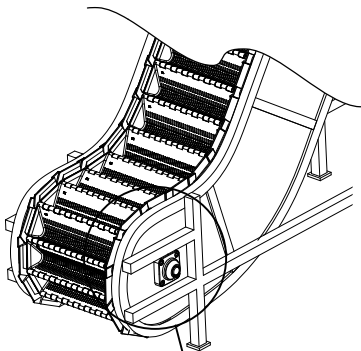


Part.718



Part.720

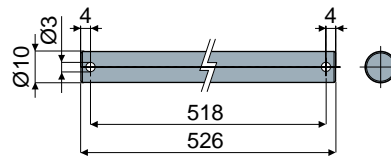
Example of application



Part.721

Pin (for Part.719)

Part. 718



Code
718 / 90434

MATERIALS: Pin and washers in stainless steel AISI 304.

FEATURES: To be used in the bucket conveyors Part.719.

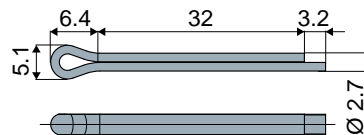
PACKAGING: 25 pieces.

ON REQUEST:

- Box quantity: According to your request.

Split pin (for Part.719)

Part. 720



Code
720 / 90827

MATERIALS: Split pin in stainless steel AISI 304.

FEATURES: To be used in the bucket conveyors Part.719.

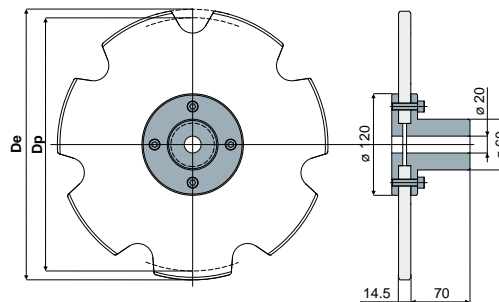
PACKAGING: 25 pieces.

ON REQUEST:

- Box quantity: According to your request.

Gear wheel (for Part.719)

Part. 721



Code	De	Dp
721 / 91054	320	299.65

MATERIALS: Outer flange and bushing made of stainless steel AISI 303; screws made of stainless steel AISI 304; sprocket made of white high molecular weight polyethylene (PE 1000).

FEATURES: For use in Part 719 bucket chains.

PACKAGING: 8 pieces.

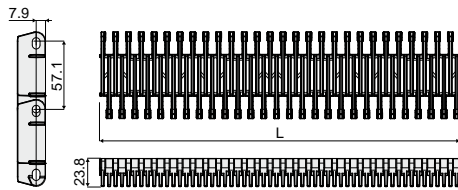
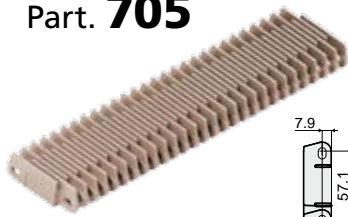
ON REQUEST:

- Box quantity: According to your request.

Chains and accessories

Part. 705

Loose link for belt



Code	L
705 / 84208	304,8
705 / 85595	152,4

NEW

MATERIALS: Loose links in light brown polypropylene.

FEATURES:

- **Use:** Perfect for use in the food industry, it guarantees a uniform conveyor surface.
- **Max working load:** 29200 N/m (1 mt. belt at + 20°C).
- **Working temperature:** from +5°C to +105°C.
- **Open surface:** 34%
- **Assembly:** with a pin diameter 6 mm (not supplied).

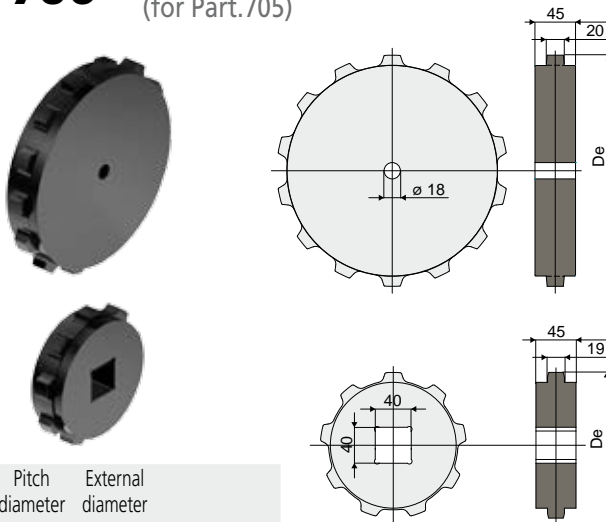
BOX QUANTITY: 24 pieces.

ON REQUEST:

- Loose links: In acetal.
- Belts: Supplied assembled.
- Box quantity: According to your request.

Part. 706

Sprocket / Idler wheel (for Part.705)



N. teeth	Pitch diameter	External diameter	Code
	Dp (mm)	De (mm)	
14	256,82	256,5	706 / 84209
9	167,08	164,1	706 / 85850

MATERIALS: Sprockets in black polyamide.

FEATURES: To be used with modular belts Part.705.

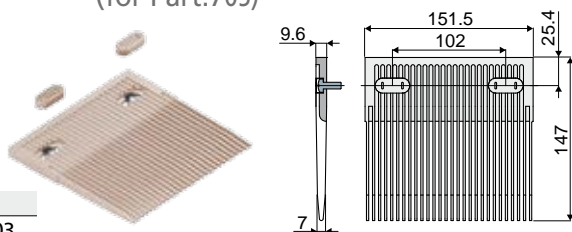
BOX QUANTITY: 8 pieces.

ON REQUEST:

- Box quantity: According to your request.

Part. 707

Transfer comb (for Part.705)



Code
707 / 88703

MATERIALS: Comb and screw caps in light brown polypropylene, M6 screws in stainless steel.

FEATURES: To be used with modular belts Part. 705.

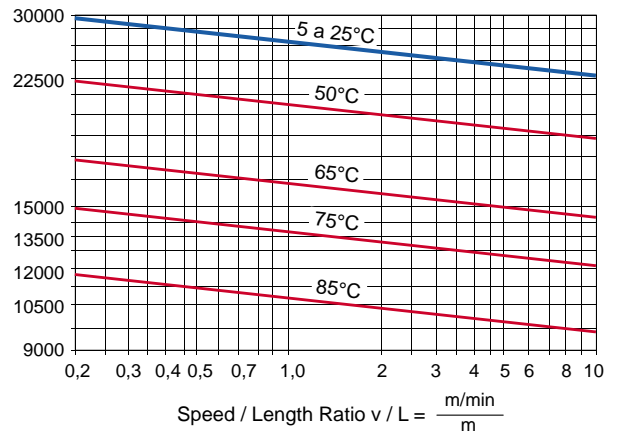
The type of mounting depends on the operating temperatures.

BOX QUANTITY: 24 pieces.

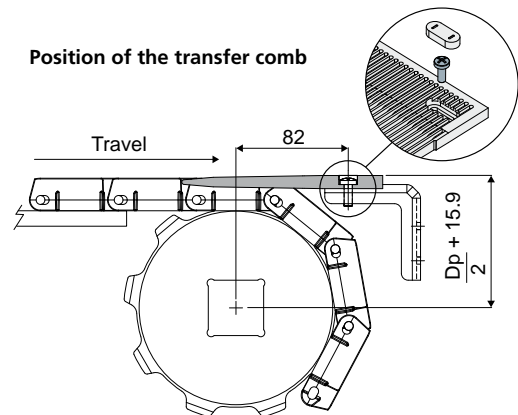
ON REQUEST:

- Box quantity: According to your request.

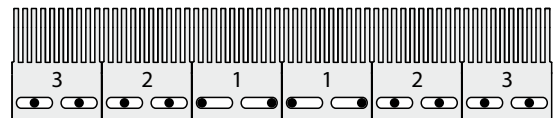
Max working load (N / m)



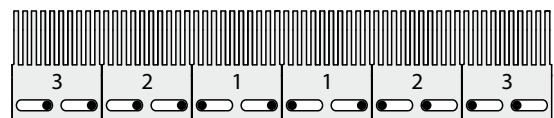
Position of the transfer comb



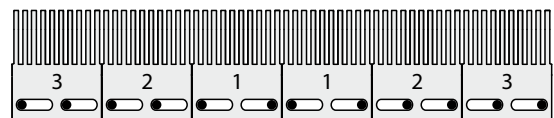
Assembly at room temperature (20° C)



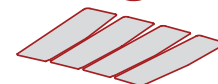
Low temperature assembly



High temperature assembly

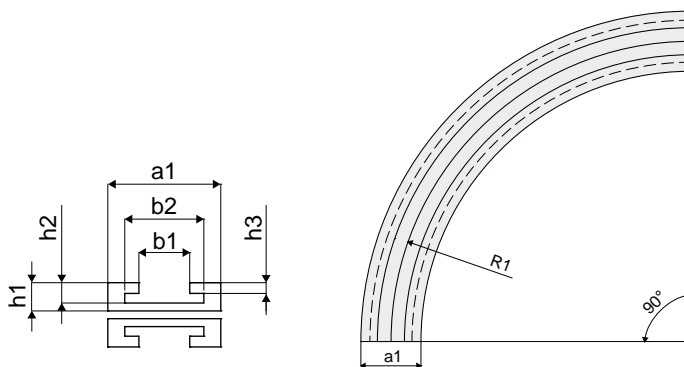


Center of the chain



Corner and straight tracks

Corner tracks



Chain type	Chain width	R1 (mm)	a1 (mm)	b1 (mm)	b2 (mm)	h1 (mm)	h2 (mm)	h3 (mm)	Track type	Material	Cod. Tecom
879TAB-K325	82,5	500	100	45	70	25	18	9,5	Carry Return	PE 1000 PE 500	83445 83446
880TAB-K325											
881TAB-K325											
8811TAB-K325											
879TAB-K450	114,3	610	125	45	70	25	18	9,5	Carry Return	PE 1000 PE 500	83449 83450
880TAB-K450											
880TAB-K454											
881TAB-K450											
8811TAB-K450											
881TAB-K750	190,5	610	200	45	70	25	18	9,5	Carry Return	PE 1000 PE 500	83451 83452
8811TAB-K750											

MATERIALS: Upper parts in PE 1000, black colour and bottom parts in PE 500 black colour.

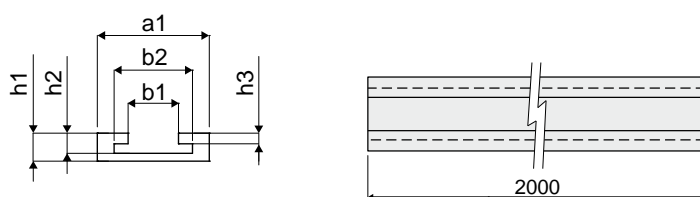
FEATURES: To be used to drive the chain in the corner sections.

BOX QUANTITY: 2 pieces.

ON REQUEST:

- **Box quantity:** According to your request.

Straight tracks



Chain type	Chain width	a1 (mm)	b1 (mm)	b2 (mm)	h1 (mm)	h2 (mm)	h3 (mm)	Material	Cod. Tecom
879TAB-K325	82,5	100	45	70	25	18	9,5	PE 500	83652
879BO-K325									
880TAB-K325									
881TAB-K325									
8811TAB-K325									
879TAB-K450	114,3	125	45	70	25	18	9,5	PE 500	83653
879BO-K450									
880TAB-K450									
881TAB-K450									
8811TAB-K450									

MATERIALS: Straight tracks in PE 500 black colour.

FEATURES: To be used to drive the chain in the straight sections.

BOX QUANTITY: 2 pieces.

ON REQUEST:






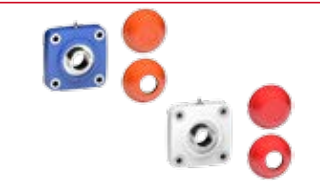




- **Box quantity:** According to your request.



Self-aligning bearing supports

Series	Pag.	Series	Pag.	Series	Pag.	Series	Pag.	Series	Pag.	Series	Pag.
F.....	216	MUCFL/C	222	UCFB/CX.....	244	UCF/CX	204	UCFL/CS	228	UCPA/CX	258
FL.....	236	MUCFL/CS.....	228	UCF/C.....	202	UCF/CX	210	UCFL/CX	224	UCP/C	246
MUCF	206	MUCFL/CX.....	224	UCF/C.....	212	UCF/CX	214	UCFL/CX	230	UCP/C	252
MUCF/C	202	MUCFL/CX.....	230	UCFC.....	272	UCF/CXA.....	200	UCFL/CX	234	UCP/CX	248
MUCF/CS	208	UCF.....	206	UCF/CA.....	198	UCFL.....	226	UCFL/CXA.....	220	UCP/CX	254
MUCF/CX.....	204	UCFB.....	242	UCF/C.....	268	UCFL/C.....	222	UCP.....	250	UCT.....	266
MUCF/CX.....	210	UCFB/C	238	UCFC/C.....	270	UCFL/C.....	232	UCPA	260	UCT/C	262
MUCFL.....	226	UCFB/CX.....	240	UCF/CS.....	208	UCFL/CA	218	UCPA/C.....	256	UCT/CX.....	264

Square flanged bearing supports





 Series UCF/CA pag. 198	 Series UCF/CXA pag. 200	 Series UCF/C pag. 202 Series MUCF/C pag. 202	 Series UCF/CX pag. 204 Series MUCF/CX pag. 204
 Series UCF pag. 206 Series MUCF pag. 206	 Series UCF/CS pag. 208 Series MUCF/CS pag. 208	 Series UCF/CX pag. 210 Series MUCF/CX pag. 210	 Series UCF/C pag. 212
 Series UCF/CX pag. 214	 Series F pag. 216		

Oval flanged bearing supports






 Series UCFL/CA pag. 218	 Series UCFL/CXA pag. 220	 Series UCFL/C pag. 222 Series MUCFL/C pag. 222	 Series UCFL/CX pag. 224 Series MUCFL/CX pag. 224
 Series UCFL pag. 226 Series MUCFL pag. 226	 Series UCFL/CS pag. 228 Series MUCFL/CS pag. 228	 Series UCFL/CX pag. 230 Series MUCFL/CX pag. 230	 Series UCFL/C pag. 232
 Series UCFL/CX pag. 234	 Series FL pag. 236		



Side flanged bearing supports

 <p>Series UCFB/C pag. 238</p>	 <p>Series UCFB/CX pag. 240</p>	 <p>Series UCFB pag. 242</p>
 <p>Series UCFB/CX pag. 244</p>		




Pillow Blocks

 <p>Series UCP/C pag. 246</p>	 <p>Series UCP/CX pag. 248</p>	 <p>Series UCP pag. 250</p>
 <p>Series UCP/C pag. 252</p>	 <p>Series UCP/CX pag. 254</p>	

Compact Pillow Blocks

 <p>Series UCPA/C pag. 256</p>	 <p>Series UCPA/CX pag. 258</p>	 <p>Series UCPA pag. 260</p>
---	--	---

Take-up bearing supports

 <p>Series UCT/C pag. 262</p>	 <p>Series UCT/CX pag. 264</p>	 <p>Series UCT pag. 266</p>
--	---	--

Round flanged bearing supports

 <p>Series UCFC/C pag. 268</p>	 <p>Series UCFC/CX pag. 270</p>	 <p>Series UCFC pag. 272</p>
---	--	---



Square flanged bearing supports (Solid)

Series **UCF/CA**



On request covers in polypropylene blue Ral 5015 colour.



On request covers in polypropylene orange Ral 2004 colour.



On request covers in polypropylene red Ral 3000 colour.

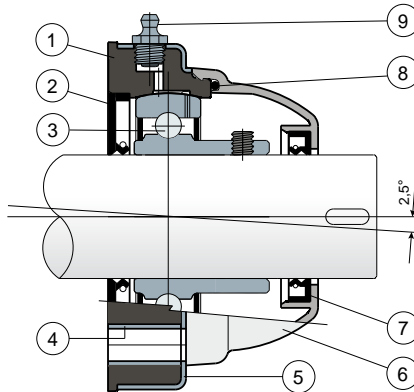


Self-aligning bearings with Solid body: completely closed surface to guarantee the max hygiene.



Long Life bearings: life long lubrication.

External cover made out of stainless steel AISI 304



- 1) Internal body of support made out of black colour polypropylene reinforced with glass fibers.
- 2) Back gasket made out of NBR rubber for turning shaft seal.
- 3) Chrome steel or stainless steel bearing AISI 440.
- 4) Spacer for fixing reinforcement made out of stainless steel AISI 304.
- 5) External cover of support made out of AISI 304 stainless steel.
- 6) Protection cover made out of polypropylene (grey colour Ral 7042).
- 7) Front gasket made out of NBR rubber for turning shaft seal.
- 8) OR gasket made out of NBR rubber.
- 9) Greaser, straight type with 1/8 gas thread, made out of nickel-plated brass (absent in the versions with Long Life bearing).

N.B.: In the Long Life version, the greaser is absent and the lubrication channel is protected by a rubber cap.

Maximum shaft alignment error 2,5°

For further information please contact our technical office or sales department.

MATERIALS: Support made out of black colour PP + glass fiber; external cover of support made out of stainless steel AISI 304; chrome steel or stainless steel bearing; greaser made out of nickel plated brass; reinforcement bushings made out of stainless steel AISI 304; gaskets made out of NBR rubber; protection cover made out of grey RAL 7042 colour polypropylene.

FEATURES: Full protection of bearing against external agents. Housing in polypropylene covered with a layer of AISI 304 stainless steel, to obtain the maximum chemical resistance to antibacterial detergents used in the food processing sector. More over this part is moulded without internal cavities in order to obtain the best sanitation. Assembly with not shouldered shaft. Maximum shaft alignment error 2.5°.

BOX QUANTITY: 8 pieces.

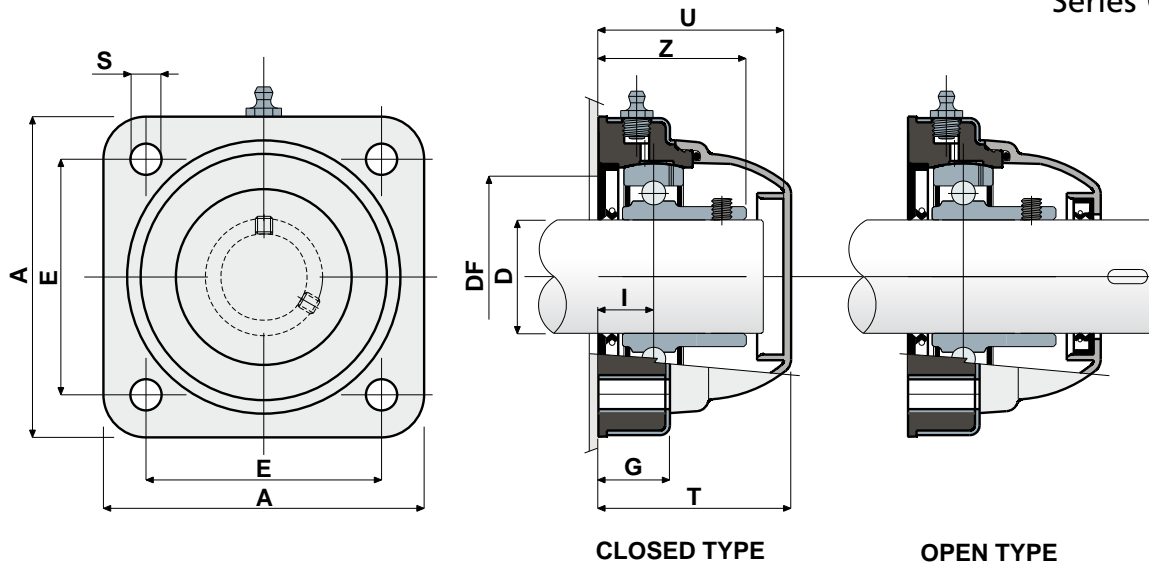
ON REQUEST: Protection covers in different colours and with customized brand; internal body in reinforced polypropylene white or blue Ral 5005 colour; supports with eccentric collar shaft locking with chrome steel bearing; box quantity according to your request; Viton gaskets.



Square flanged bearing supports (Solid)

Technical data

Series **UCF/CA**



CHROME STEEL BEARING																			
D	SERIES	CODES				DIMENSIONS (mm)											Bearing load (N)		Bearing support load (N)
		Standard bearing		Long Life bearing		E	A	S	G	I	Z	U	T	DF		C	CO		
		Closed	Open	Closed	Open									Max	Min				
30	UCF 206 CA	80409	80410	89618	89619	83	113	11	27	20	41,3	65	68	60	50	19500	11300	17500	
35	UCF 207 CA	80485	80486	89620	89621	83	113	11	27	19,5	42,9	65	68	70	55	25500	15300	18000	
40	UCF 208 CA	80411	80412	83103	83102	83	113	11	27	19,5	44,8	65	68	78	65	32500	19800	18000	

STAINLESS STEEL BEARING AISI 440																			
D	SERIES	CODES				DIMENSIONS (mm)											Bearing load (N)		Bearing support load (N)
		Standard bearing		Long Life bearing		E	A	S	G	I	Z	U	T	DF		C	CO		
		Closed	Open	Closed	Open									Max	Min				
30	UCF 206 CA	80453	80464	84991	84992	83	113	11	27	20	41,3	65	68	60	50	12500	11200	17500	
35	UCF 207 CA	81059	81060	84866	84867	83	113	11	27	19,5	42,9	65	68	70	55	16600	15300	18000	
40	UCF 208 CA	80454	81061	82388	80455	83	113	11	27	19,5	44,8	65	68	78	65	20000	19000	18000	

VERSIONS WITH MEASURES IN INCHES

CHROME STEEL BEARING																			
D	SERIES	CODES				DIMENSIONS (mm)											Bearing load (N)		Bearing support load (N)
		Standard bearing		Long Life bearing		E	A	S	G	I	Z	U	T	DF		C	CO		
		(inches)	(mm)	Closed	Open									Closed	Open			Max	
1 1/4	31,75	UCF 206 CA	84499	84503	89622	89623	83	113	11	27	20	41,3	65	68	60	50	19500	11300	17500

Inch dimensions conform to the British Imperial system



Square flanged bearing supports (Solid)

Series **UCF/CXA**

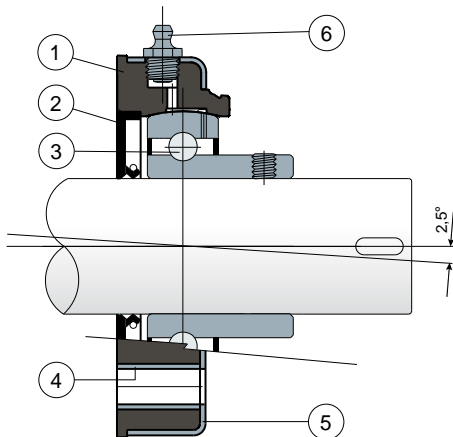


Self-aligning bearings with Solid body: completely closed surface to guarantee the max hygiene.

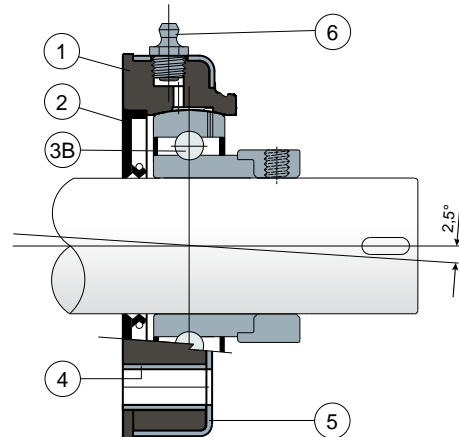


Long Life bearings: life long lubrication.

Grub screws shaft locking
External cover made out of stainless steel AISI 304; without protection cover



Eccentric collar shaft locking
External cover made out of stainless steel AISI 304; without protection cover



- 1) Internal body of support made out of black colour polypropylene reinforced with glass fibers.
- 2) Back gasket made out of NBR rubber for turning shaft seal.
- 3) Chrome steel or stainless steel bearing AISI 440.
- 3B) Chrome steel bearing.
- 4) Spacer for fixing reinforcement made out of stainless steel AISI 304.
- 5) External cover of support made out of AISI 304 stainless steel.
- 6) Greaser, straight type with 1/8 gas thread, made out of nickel-plated brass (absent in the versions with Long Life bearing).

NOTE: The protection cover can be ordered separately as an accessory; in the Long Life version, the greaser is absent and the lubrication channel is protected by a rubber cap.

Maximum shaft alignment error 2,5°
For further information please contact our technical office or sales department.

MATERIALS: Support made out of black colour PP + glass fiber; external cover of support made out of stainless steel AISI 304; bearing with grub screws shaft locking in chrome steel or stainless steel; bearing with eccentric collar shaft locking in chrome steel; greaser made out of nickel plated brass; reinforcement bushings made out of stainless steel AISI 304; gaskets made out of NBR rubber; protection cover made out of polypropylene grey Ral 7042, blue Ral 5015, orange Ral 2004 or red Ral 3000 colour.

FEATURES: The protection cover can be ordered separately as an accessory. Housing in polypropylene covered with a layer of AISI 304 stainless steel, to obtain the maximum chemical resistance to antibacterial detergents used in the food processing sector. More over this part is moulded without internal cavities in order to obtain the best sanification. Assembly with not shouldered shaft. Maximum shaft alignment error 2.5°.

BOX QUANTITY: 8 pieces.

ON REQUEST: Protection covers in different colours and with customized brand; protection covers in polypropylene blue Ral 5015 FDA APPROVED; internal body in reinforced polypropylene white or blue Ral 5005 colour; box quantity according to your request; Viton gaskets.



Square flanged bearing supports

Series **UCF/C**
Series **MUCF/C**



On request covers in polypropylene blue Ral 5015 colour.



On request covers in polypropylene orange Ral 2004 colour.



On request covers in polypropylene red Ral 3000 colour.

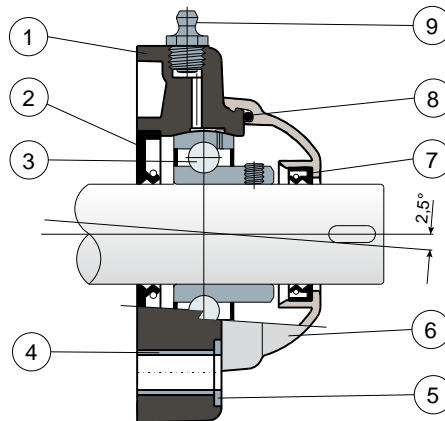


Self-aligning bearings with Solid body: completely closed surface to guarantee the max hygiene.



Long Life bearings: life long lubrication.

Full protection of bearing



- 1) Housing made out of black or white colour polyamide reinforced with glass fibers.
- 2) Back gasket made out of NBR rubber for turning shaft seal.
- 3) Chrome steel or stainless steel bearing AISI 440.
- 4) Spacer for fixing reinforcement made out of stainless steel AISI 304.
- 5) UNI 6592 support washer made out of stainless steel AISI 304.
- 6) Protection cover made out of polypropylene (grey colour Ral 7042).
- 7) Front gasket made out of NBR rubber for turning shaft seal.
- 8) OR gasket made out of NBR rubber.
- 9) Greaser, straight type with 1/8 gas thread, made out of nickel-plated brass (absent in the versions with Long Life bearing).

N.B.: In the Long Life version, the greaser is absent and the lubrication channel is protected by a rubber cap.

Support dimensions respect ISO 3228 set of rules

Maximum shaft alignment error 2,5°

For further information please contact our technical office or sales department.

MATERIALS: Housing is made out of PA + glass fiber in black or white colours; chrome steel or stainless steel bearing; greaser made out of nickel plated brass; reinforcement bushings and washers made out of stainless steel AISI 304; gaskets made out of NBR rubber; cover made out of grey RAL 7042 colour polypropylene.

FEATURES: Full protection of bearing against external agents. Assembly with not shouldered shafts. Maximum shaft alignment error 2.5°.

BOX QUANTITY: 8 pieces.

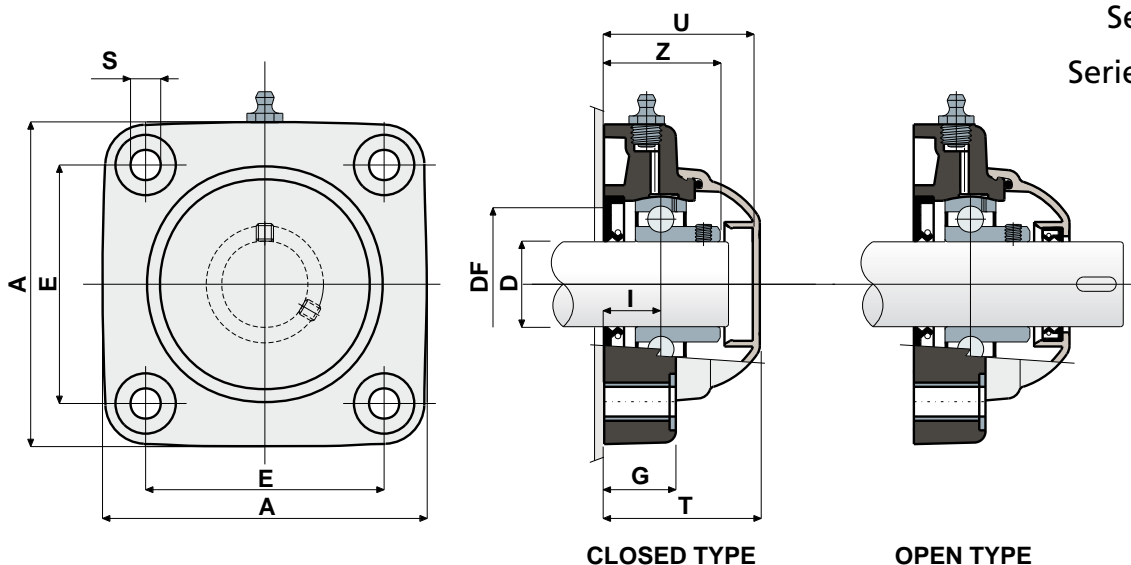
ON REQUEST: Versions with body in polypropylene + glass fiber and antibacterial additive; supports with eccentric collar shaft locking with chrome steel bearing; protection covers in different colours and with customized brand; box quantity according to your request; Viton gaskets.



Square flanged bearing supports

Technical data

Series **UCF/C**
Series **MUCF/C**



CHROME STEEL BEARING																						
D	SERIES	CODES								DIMENSIONS (mm)								Bearing load (N)		Bearing support load		
		Standard bearing				Long Life bearing				E	A	S	G	I	Z	U	T	DF		C	CO	(N)
		Black		White		Black		White										Max	Min			
		Closed	Open	Closed	Open	Closed	Open	Closed	Open													
20	UCF 204 C	80248	80249	84580	84581	82405	87055	89345	89346	63,5	90	10,5	19	15,5	33,8	44	46,5	45	40	12800	6600	16500
25	UCF 205 C	80057	80060	84582	84583	80304	83613	89347	89348	70	99,5	10,5	22	17,4	36,9	47	49,5	50	45	14000	7800	17000
30	UCF 206 C	80009	80005	84584	84585	80724	83611	89349	89350	83	113	10,5	26	20,7	41,7	52,5	55	60	50	19500	11300	17500
30	MUCF 206 C	84038	84039	84586	84587	87114	87115	89351	89352	83	113	10,5	26	20,7	41,3	65	68	60	50	19500	11300	17500
35	UCF 207 C	80058	80061	84588	84589	82991	82993	89353	89354	92	122	10,5	26	20	43,2	57	59	70	55	25500	15300	18000
35	MUCF 207 C	82549	82392	84590	84591	87116	87117	89355	89356	83	113	10,5	26	20	42,8	65	68	70	55	25500	15300	18000
40	UCF 208 C	80250	80251	84592	84593	87458	87457	89357	89358	102	133	10,5	26	19,5	44,8	65	68	78	65	32500	19800	18000
40	MUCF 208 C	80697	80699	84594	84595	87572	87573	89359	89360	83	113	10,5	26	19,5	44,8	65	68	78	65	32500	19800	18000

STAINLESS STEEL BEARING AISI 440																						
D	SERIES	CODES								DIMENSIONS (mm)								Bearing load (N)		Bearing support load		
		Standard bearing				Long Life bearing				E	A	S	G	I	Z	U	T	DF		C	CO	(N)
		Black		White		Black		White										Max	Min			
		Closed	Open	Closed	Open	Closed	Open	Closed	Open													
20	UCF 204 C	80400	80448	84596	84597	86796	89361	89369	89370	63,5	90	10,5	19	15,5	33,8	44	46,5	45	40	8300	6600	16500
25	UCF 205 C	80445	80449	84598	84599	89362	86097	89371	89372	70	99,5	10,5	22	17,4	36,9	47	49,5	50	45	9150	7800	17000
30	UCF 206 C	80378	80377	84600	84601	85524	85523	89373	89374	83	113	10,5	26	20,7	41,7	52,5	55	60	50	12500	11200	17500
30	MUCF 206 C	84040	84041	84602	84603	89363	89364	89375	89376	83	113	10,5	26	20,7	41,3	65	68	60	50	12500	11200	17500
35	UCF 207 C	80446	80450	84604	84605	85529	85530	89377	89378	92	122	10,5	26	20	43,2	57	59	70	55	16600	15300	18000
35	MUCF 207 C	83467	83466	84606	84607	89365	89366	89379	89380	83	113	10,5	26	20	42,8	65	68	70	55	16600	15300	18000
40	UCF 208 C	80447	80451	84608	84609	86100	86102	89381	89382	102	133	10,5	26	19,5	44,8	65	68	78	65	20000	19000	18000
40	MUCF 208 C	81057	81058	84610	84611	89367	89368	89383	89384	83	113	10,5	26	19,5	44,8	65	68	78	65	20000	19000	18000

VERSIONS WITH MEASURES IN INCHES

CHROME STEEL BEARING																							
D	SERIES	CODES								DIMENSIONS (mm)								Bearing load (N)		Bearing support load			
		Standard bearing				Long Life bearing				E	A	S	G	I	Z	U	T	DF		C	CO	(N)	
		Black		White		Black		White										Max	Min				
		Closed	Open	Closed	Open	Closed	Open	Closed	Open														
1"	25,4	UCF 205 C	84500	84490	84875	84876	89385	89386	89391	89392	70	99,5	10,5	22	17,4	36,9	47	49,5	50	45	14000	7800	17000
1 1/4"	31,75	UCF 206 C	84501	84491	84877	84878	89387	89388	89393	89394	83	113	10,5	26	20,7	41,7	52,5	55	60	50	19500	11300	17500
1 1/4"	31,75	MUCF 206 C	84502	84492	85180	85181	89389	89390	89395	89396	83	113	10,5	26	20,7	41,3	65	68	60	50	19500	11300	17500

Inch dimensions conform to the British Imperial system



Square flanged bearing supports

Series **UCF/CX**
Series **MUCF/CX**

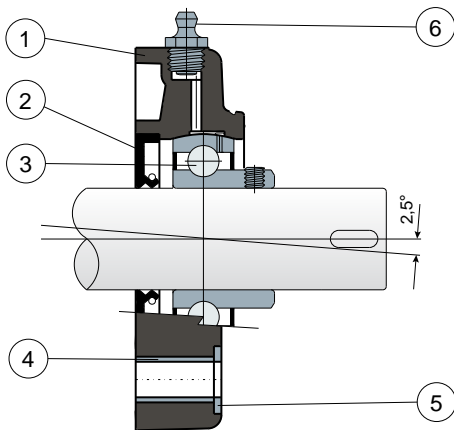


Self-aligning bearings with Solid body: completely closed surface to guarantee the max hygiene.

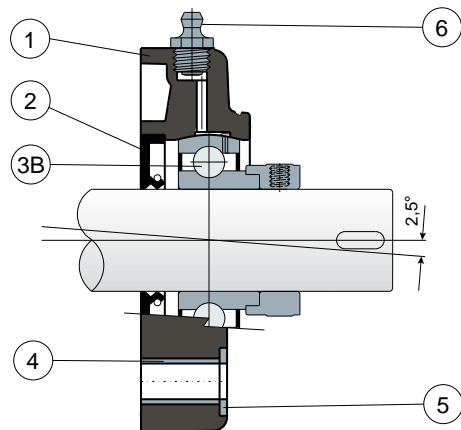


Long Life bearings: life long lubrication.

Grub screws shaft locking - Without protection cover



Eccentric collar shaft locking - Without protection cover



- 1) Housing made out of black, white or blue Ral 5005 colour polyamide reinforced with glass fibers.
- 2) Back gasket made out of NBR rubber for turning shaft seal.
- 3) Chrome steel or stainless steel bearing AISI 440.
- 3B) Chrome steel bearing.
- 4) Spacer for fixing reinforcement made out of stainless steel AISI 304.
- 5) UNI 6592 support washer made out of stainless steel AISI 304.
- 6) Greaser, straight type with 1/8 gas thread, made out of nickel-plated brass (absent in the versions with Long Life bearing).

NOTE: The protection cover can be ordered separately as an accessory; in the Long Life version, the greaser is absent and the lubrication channel is protected by a rubber cap.

Support dimensions respect ISO 3228 set of rules.

Maximum shaft alignment error 2,5°

For further information please contact our technical office or sales department.

MATERIALS: Housing is made out of PA + glass fiber in black, white or blue Ral 5005 colours; bearing with grub screws shaft locking in chrome steel or stainless steel; bearing with eccentric collar shaft locking in chrome steel; greaser made out of nickel plated brass; reinforcement bushings and washers made out of stainless steel AISI 304; gaskets made out of NBR rubber; cover made out of polypropylene grey Ral 7042, blue Ral 5015, orange Ral 2004 or red Ral 3000 colour.

FEATURES: The protection cover can be ordered separately as an accessory. Assembly with not shouldered shafts. Maximum shaft alignment error 2.5°.

BOX QUANTITY: 8 pieces.

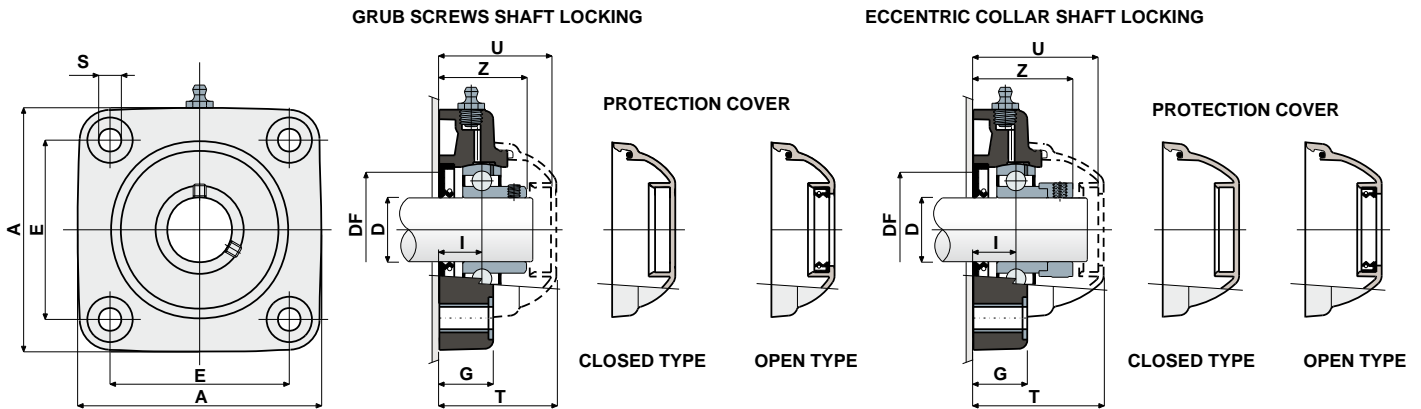
ON REQUEST: Versions with body in polypropylene + glass fiber and antibacterial additive; supports in blue polyamide RAL 5005 FDA APPROVED; protection covers in polypropylene blue Ral 5015 FDA APPROVED; protection covers in different colours and with customized brand; box quantity according to your request; Viton gaskets.



Square flanged bearing supports

Technical data

Series **UCF/CX**
Series **MUCF/CX**



GRUB SCREWS SHAFT LOCKING

D	SERIES	CHROME STEEL BEARING													COVER CODES													
		Support CODES						DIMENSIONS (mm)							Bearing load (N)			Bearing support load		GREY RAL 7042		BLUE RAL 5015		ORANGE RAL 2004		RED RAL 3000		
		Standard bearing			Long Life bearing			E	A	S	G	I	Z	U	T	DF		C	CO	(N)	Closed	Open	Closed	Open	Closed	Open	Closed	Open
		Black	White	Blue Ral 5005	Black	White	Blue Ral 5005									Max	Min											
20	UCF 204 CX	80252	84612	87440	86081	89406	89414	63,5	90	10,5	19	15,5	33,8	44	46,5	45	40	12800	6600	16500	80254	80255	87259	83901	82305	82306	87540	87541
25	UCF 205 CX	80175	84613	87436	88632	89407	89415	70	99,5	10,5	22	17,4	36,9	47	49,5	50	45	14000	7800	17000	80075	80076	85384	85385	82276	82277	87542	87543
30	UCF 206 CX	80176	84614	87437	85276	89408	89416	83	113	10,5	26	20,7	41,7	52,5	55	60	50	19500	11300	17500	80011	80053	84100	80354	82278	82279	87531	87530
30	MUCF 206 CX	80789	84615	87673	87150	89409	89417	83	113	10,5	26	20,7	41,3	65	68	60	50	19500	11300	17500	80256	80494	83088	87271	82280	87555	87528	87569
35	UCF 207 CX	80177	84616	87438	89117	89410	89418	92	122	10,5	26	20	43,2	57	59	70	55	25500	15300	18000	80077	80078	80969	80275	82284	82285	87544	87545
35	MUCF 207 CX	83462	84617	87674	89405	89411	89419	83	113	10,5	26	20	42,8	65	68	70	55	25500	15300	18000	80256	80495	83088	87277	82280	87557	87528	87529
40	UCF 208 CX	80253	84618	87439	86698	89412	89420	102	133	10,5	26	19,5	44,8	65	68	78	65	32500	19800	18000	80256	80257	83088	86722	82281	87528	82804	82804
40	MUCF 208 CX	80701	84619	87675	86169	89413	89421	83	113	10,5	26	19,5	44,8	65	68	78	65	32500	19800	18000	80256	80257	83088	86722	82280	82281	87528	82804

ECCENTRIC COLLAR SHAFT LOCKING

D	SERIES	CHROME STEEL BEARING													COVER CODES													
		Support CODES						DIMENSIONS (mm)							Bearing load (N)			Bearing support load		GREY RAL 7042								
		Standard bearing			Long Life bearing			E	A	S	G	I	Z	U	T	DF		C	CO	(N)	Closed	Open						
		Black	White	Blue Ral 5005	Black	White	Blue Ral 5005									Max	Min											
20	UCF 204 CX	88440	88448	88456	88768	89429	89437	63,5	90	10,5	19	15,5	39	51	53,5	45	40	12800	6600	16500	88371	88372						
25	UCF 205 CX	88441	88449	88457	89422	89430	89438	70	99,5	10,5	22	17,4	40,9	52,9	55,4	50	45	14000	7800	17000	88373	88374						
30	UCF 206 CX	88442	88450	88458	89423	89431	89439	83	113	10,5	26	20,7	47,4	59,4	61,9	60	50	19500	11300	17500	88375	88376						
30	MUCF 206 CX	88443	88451	88459	89424	89432	89440	83	113	10,5	26	20,7	47	65	68	60	50	19500	11300	17500	80256	80494						
35	UCF 207 CX	88444	88452	88460	89425	89433	89441	92	122	10,5	26	20	49,3	61,3	63,8	70	55	25500	15300	18000	88377	88378						
35	MUCF 207 CX	88445	88453	88461	89426	89434	89442	83	113	10,5	26	20	48,9	65	68	70	55	25500	15300	18000	80256	80495						
40	UCF 208 CX	88446	88454	88462	89427	89435	89443	102	133	10,5	26	19,5	52,2	65	68	78	65	32500	19800	18000	80256	80257						
40	MUCF 208 CX	88447	88455	88463	89428	89436	89444	83	113	10,5	26	19,5	52,2	65	68	78	65	32500	19800	18000	80256	80257						

GRUB SCREWS SHAFT LOCKING

D	SERIES	STAINLESS STEEL BEARING AISI 440													COVER CODES													
		Support CODES						DIMENSIONS (mm)							Bearing load (N)			Bearing support load		GREY RAL 7042		BLUE RAL 5015		ORANGE RAL 2004		RED RAL 3000		
		Standard bearing			Long Life bearing			E	A	S	G	I	Z	U	T	DF		C	CO	(N)	Closed	Open	Closed	Open	Closed	Open	Closed	Open
		Black	White	Blue Ral 5005	Black	White	Blue Ral 5005									Max	Min											
20	UCF 204 CX	81047	84620	87668	89445	89450	89457	63,5	90	10,5	19	15,5	33,8	44	46,5	45	40	8300	6600	16500	80254	80255	87259	83901	82305	82306	87540	87541
25	UCF 205 CX	81049	84621	87669	85021	85513	88101	70	99,5	10,5	22	17,4	36,9	47	49,5	50	45	9150	7800	17000	80075	80076	85384	85385	82276	82277	87542	87543
30	UCF 206 CX	81050	84622	87670	89446	89451	88861	83	113	10,5	26	20,7	41,7	52,5	55	60	50	12500	11200	17500	80011	80053	84100	80354	82278	82279	87531	87530
30	MUCF 206 CX	84042	84623	87676	87155	89452	89458	83	113	10,5	26	20,7	41,3	65	68	60	50	12500	11200	17500	80256	80494	83088	87271	82280	87555	87528	87569
35	UCF 207 CX	81051	84624	87671	89447	89453	89459	92	122	10,5	26	20	43,2	57	59	70	55	16600	15300	18000	80077	80078	80969	80275	82284	82285	87544	87545
35	MUCF 207 CX	82404	84625	87677	89448	89454	89460	83	113	10,5	26	20	42,8	65	68	70	55	16600	15300	18000	80256	80495	83088	87277	82280	87557	87528	87529
40	UCF 208 CX	80561	84626	87672	89449	89455	89461	102	133	10,5	26	19,5	44,8	65	68	78	65	20000	19000	18000	80256	80257	83088	86722	82281	87528	82804	82804
40	MUCF 208 CX	81043	84627	87678	88121	89456	89462	83	113	10,5	26	19,5	44,8	65	68	78	65	20000	19000	18000	80256	80257	83088	86722	82280	82281	87528	82804

GRUB SCREWS SHAFT LOCKING - VERSIONS WITH MEASURES IN INCHES

D	(inches)	rmm	SERIES	CHROME STEEL BEARING													COVER CODES													
				Support CODES						DIMENSIONS (mm)							Bearing load (N)			Bearing support load		GREY RAL 7042		BLUE RAL 5015		ORANGE RAL 2004		RED RAL 3000		
				Standard bearing			Long Life bearing			E	A	S	G	I	Z	U	T	DF		C	CO	(N)	Closed	Open	Closed	Open	Closed	Open	Closed	Open
				Black	White	Blue Ral 5005	Black	White	Blue Ral 5005									Max	Min											
1"	25,4	UCF 205 CX	84493	84883	87679	89463	89466	89469	70	99,5	10,5	22	17,4	36,9	47	49,5	50	45	14000	7800	17000	80075	85202	85384	87273	82276	87660	87542	87663	
1 1/4"	31,75	UCF 206 CX	84494	84884	87680	89464	89467	89470	83	113	10,5	26	20,7	41,7	52,5	55	60	50	19500	11300	17500	80011	85203	84100	87274	82278	87661	87531	87664	
1 1/4"	31,75	MUCF 206 CX	84495	85182	87681	89465	89468	89471	83	113	10,5	26	20,7	41,3	65	68	60	50	19500	11300	17500	80256	85204	83088	87275	82280	87662	87528	87665	

Inch dimensions conform to the British Imperial system



Square flanged bearing supports

Series **UCF**
Series **MUCF**

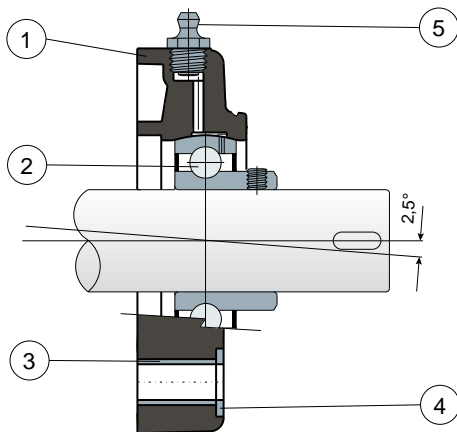


Self-aligning bearings with Solid body: completely closed surface to guarantee the max hygiene.

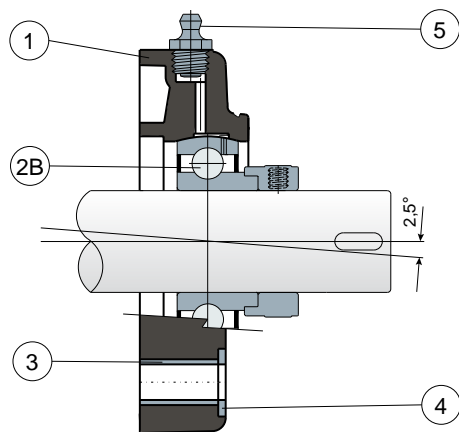


Long Life bearings: life long lubrication.

Grub screws shaft locking - Without cover and back gasket



Eccentric collar shaft locking - Without cover and back gasket



- 1) Housing made out of black, white or blue Ral 5005 colour polyamide reinforced with glass fibers.
- 2) Chrome steel or stainless steel bearing AISI 440.
- 2B) Chrome steel bearing.
- 3) Spacer for fixing reinforcement made out of stainless steel AISI 304.
- 4) UNI 6592 support washer made out of stainless steel AISI 304.
- 5) Greaser, straight type with 1/8 gas thread, made out of nickel-plated brass (absent in the versions with Long Life bearing).

NOTE: The back gasket and the protection cover can be ordered separately as accessories; in the Long Life version, the greaser is absent and the lubrication channel is protected by a rubber cap.

Support dimensions respect ISO 3228 set of rules.
Maximum shaft alignment error 2,5°
For further information please contact our technical office or sales department.

MATERIALS: Housing is made out of PA + glass fiber in black, white or blue Ral 5005 colours; bearing with grub screws shaft locking in chrome steel or stainless steel; bearing with eccentric collar shaft locking in chrome steel; greaser made out of nickel plated brass; reinforcement bushings and washers made out of stainless steel AISI 304; gaskets made out of NBR rubber; cover made out of polypropylene grey Ral 7042, blue Ral 5015, orange Ral 2004 or red Ral 3000 colour.
FEATURES: The back gasket and the protection cover can be ordered separately as accessories. Assembly with shouldered and not shouldered shafts. Maximum shaft alignment error 2.5°.

BOX QUANTITY: 8 pieces.

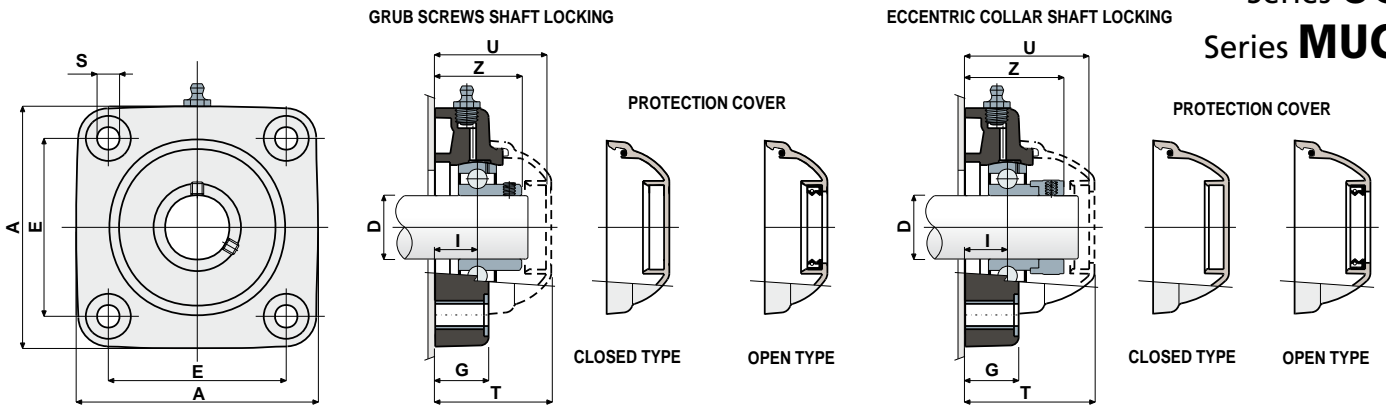
ON REQUEST: Versions with body in polypropylene + glass fiber and antibacterial additive; supports in blue polyamide RAL 5005 FDA APPROVED; protection covers in polypropylene blue Ral 5015 FDA APPROVED; protection covers in different colours and with customized brand; box quantity according to your request; Viton gaskets.



Square flanged bearing supports

Technical data

Series **UCF**
Series **MUCF**



GRUB SCREWS SHAFT LOCKING

D	SERIES	CHROME STEEL BEARING														COVER CODES										
		Support CODES						DIMENSIONS (mm)								Bearing load (N)	Bearing support load (N)	GREY RAL 7042		BLUE RAL 5015		ORANGE RAL 2004		RED RAL 3000		
		Standard bearing			Long Life bearing			E	A	S	G	I	Z	U	T			C	CO	(N)	Closed	Open	Closed	Open	Closed	Open
		Black	White	Blue Ral 5005	Black	White	Blue Ral 5005																			
20	UCF 204	80258	84628	87682	89503	89507	89515	63,5	90	10,5	19	15,5	33,8	44	46,5	12800	6600	16500	80254	80255	87259	83901	82305	82306	87540	87541
25	UCF 205	80054	84629	87683	82483	89508	89516	70	99,5	10,5	22	17,4	36,9	47	49,5	14000	7800	17000	80075	80076	85384	85385	82276	82277	87542	87543
30	UCF 206	80010	84630	87684	84815	89509	89517	83	113	10,5	26	20,7	41,7	52,5	55	19500	11300	17500	80011	80053	84100	80354	82278	82279	87531	87530
30	MUCF 206	84043	84631	87685	89504	89510	89518	83	113	10,5	26	20,7	41,3	65	68	19500	11300	17500	80256	80494	83088	87271	82280	87555	87528	87569
35	UCF 207	80055	84632	87686	80477	89511	89519	92	122	10,5	26	20	43,2	57	59	25500	15300	18000	80077	80078	80969	80275	82284	82285	87544	87545
35	MUCF 207	82652	84633	87687	89505	89512	89520	83	113	10,5	26	20	42,8	65	68	25500	15300	18000	80256	80495	83088	87277	82280	87557	87528	87529
40	UCF 208	80259	84634	87688	80478	89513	89521	102	133	10,5	26	19,5	44,8	65	68	32500	19800	18000	80256	80257	83088	86722	82280	82281	87528	82804
40	MUCF 208	80712	84635	87689	89506	89514	89522	83	113	10,5	26	19,5	44,8	65	68	32500	19800	18000	80256	80257	83088	86722	82280	82281	87528	82804

ECCENTRIC COLLAR SHAFT LOCKING

D	SERIES	CHROME STEEL BEARING														COVER CODES				
		Support CODES						DIMENSIONS (mm)								Bearing load (N)	Bearing support load (N)	GREY RAL 7042		
		Standard bearing			Long Life bearing			E	A	S	G	I	Z	U	T			C	CO	(N)
		Black	White	Blue Ral 5005	Black	White	Blue Ral 5005													
20	UCF 204	88464	88470	88478	89523	89530	89538	63,5	90	10,5	19	15,5	39	51	53,5	12800	6600	16500	88371	88372
25	UCF 205	88465	88471	88479	89524	89531	89539	70	99,5	10,5	22	17,4	40,9	52,9	55,4	14000	7800	17000	88373	88374
30	UCF 206	88466	88472	88480	89525	89532	89540	83	113	10,5	26	20,7	47,4	59,4	61,9	19500	11300	17500	88375	88376
30	MUCF 206	87203	88473	88481	87204	89533	89541	83	113	10,5	26	20,7	47	65	68	19500	11300	17500	80256	80494
35	UCF 207	88467	88474	88482	89526	89534	89542	92	122	10,5	26	20	49,3	61,3	63,8	25500	15300	18000	88377	88378
35	MUCF 207	88468	88475	88483	89527	89535	89543	83	113	10,5	26	20	48,9	65	68	25500	15300	18000	80256	80495
40	UCF 208	88469	88476	88484	89528	89536	89544	102	133	10,5	26	19,5	52,2	65	68	32500	19800	18000	80256	80257
40	MUCF 208	87205	88477	88485	89529	89537	89545	83	113	10,5	26	19,5	52,2	65	68	32500	19800	18000	80256	80257

GRUB SCREWS SHAFT LOCKING

D	SERIES	STAINLESS STEEL BEARING AISI 440														COVER CODES										
		Support CODES						DIMENSIONS (mm)								Bearing load (N)	Bearing support load (N)	GREY RAL 7042		BLUE RAL 5015		ORANGE RAL 2004		RED RAL 3000		
		Standard bearing			Long Life bearing			E	A	S	G	I	Z	U	T			C	CO	(N)	Closed	Open	Closed	Open	Closed	Open
		Black	White	Blue Ral 5005	Black	White	Blue Ral 5005																			
20	UCF 204	80514	84636	87690	83403	89550	89558	63,5	90	10,5	19	15,5	33,8	44	46,5	8300	6600	16500	80254	80255	87259	83901	82305	82306	87540	87541
25	UCF 205	80515	84637	87691	83404	89551	89559	70	99,5	10,5	22	17,4	36,9	47	49,5	9150	7800	17000	80075	80076	85384	85385	82276	82277	87542	87543
30	UCF 206	80976	84638	87692	83405	89552	89560	83	113	10,5	26	20,7	41,7	52,5	55	12500	11200	17500	80011	80053	84100	80354	82278	82279	87531	87530
30	MUCF 206	84044	84639	87693	89546	89553	89561	83	113	10,5	26	20,7	41,3	65	68	12500	11200	17500	80256	80494	83088	87271	82280	87555	87528	87569
35	UCF 207	81052	84640	87694	87248	89554	88745	92	122	10,5	26	20	43,2	57	59	16600	15300	18000	80077	80078	80969	80275	82284	82285	87544	87545
35	MUCF 207	83468	84641	87695	89547	89555	89562	83	113	10,5	26	20	42,8	65	68	16600	15300	18000	80256	80495	83088	87277	82280	87557	87528	87529
40	UCF 208	80695	84642	87696	89548	89556	88808	102	133	10,5	26	19,5	44,8	65	68	20000	19000	18000	80256	80257	83088	86722	82280	82281	87528	82804
40	MUCF 208	81045	84643	87697	89549	89557	89563	83	113	10,5	26	19,5	44,8	65	68	20000	19000	18000	80256	80257	83088	86722	82280	82281	87528	82804

GRUB SCREWS SHAFT LOCKING - VERSIONS WITH MEASURES IN INCHES

D	SERIES	CHROME STEEL BEARING														COVER CODES											
		Support CODES						DIMENSIONS (mm)								Bearing load (N)	Bearing support load (N)	GREY RAL 7042		BLUE RAL 5015		ORANGE RAL 2004		RED RAL 3000			
		Standard bearing			Long Life bearing			E	A	S	G	I	Z	U	T			C	CO	(N)	Closed	Open	Closed	Open	Closed	Open	Closed
		Black	White	Blue Ral 5005	Black	White	Blue Ral 5005																				
1"	25,4	UCF 205	84496	84887	87698	89564	89567	89570	70	99,5	10,5	22	17,4	36,9	47	49,5	14000	7800	17000	80075	85202	85384	87273	82276	87660	87542	87663
1 1/4"	31,75	UCF 206	84497	84888	87699	89565	89568	89571	83	113	10,5	26	20,7	41,7	52,5	55	19500	11300	17500	80011	85203	84100	87274	82278	87661	87531	87664
1 1/4"	31,75	MUCF 206	84498	85183	87700	89566	89569	89572	83	113	10,5	26	20,7	41,3	65	68	19500	11300	17500	80256	85204	83088	87275	82280	87662	87528	87665

Inch dimensions conform to the British Imperial system



Square flanged bearing supports

Series **UCF/CS**
Series **MUCF/CS**

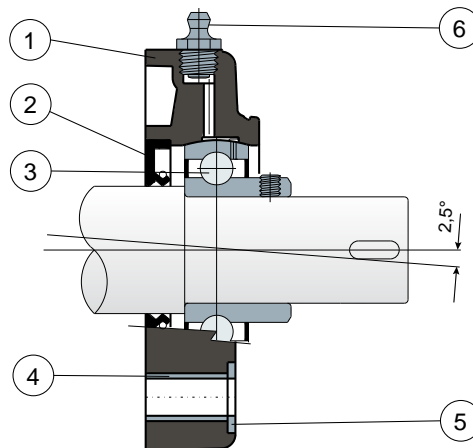


Self-aligning bearings with Solid body: completely closed surface to guarantee the max hygiene.



Long Life bearings: life long lubrication.

Back gasket for shouldered shaft



- 1) Housing made out of black, white or blue Ral 5005 colour polyamide reinforced with glass fibers.
- 2) Back gasket made out of NBR rubber for turning shaft seal.
- 3) Chrome steel or stainless steel bearing AISI 440.
- 4) Spacer for fixing reinforcement made out of stainless steel AISI 304.
- 5) UNI 6592 support washer made out of stainless steel AISI 304.
- 6) Greaser, straight type with 1/8 gas thread, made out of nickel-plated brass (absent in the versions with Long Life bearing).

N.B.: The protection cover can be ordered separately as an accessory; in the Long Life version, the greaser is absent and the lubrication channel is protected by a rubber cap.

Support dimensions respect ISO 3228 set of rules.

Maximum shaft alignment error 2,5°

For further information please contact our technical office or sales department.

MATERIALS: Housing is made out of PA + glass fiber in black, white or blue Ral 5005 colours; chrome steel or stainless steel bearing; greaser made out of nickel plated brass; reinforcement bushings and washers made out of stainless steel AISI 304; gaskets made out of NBR rubber; cover made out of polypropylene grey Ral 7042, blue Ral 5015, orange Ral 2004 or red Ral 3000 colour.

FEATURES: Back gasket for shouldered shafts; the protection cover can be ordered separately as an accessory. Use of shouldered shafts allows a higher capability of axial load. Maximum shaft alignment error 2.5°.

BOX QUANTITY: 8 pieces.

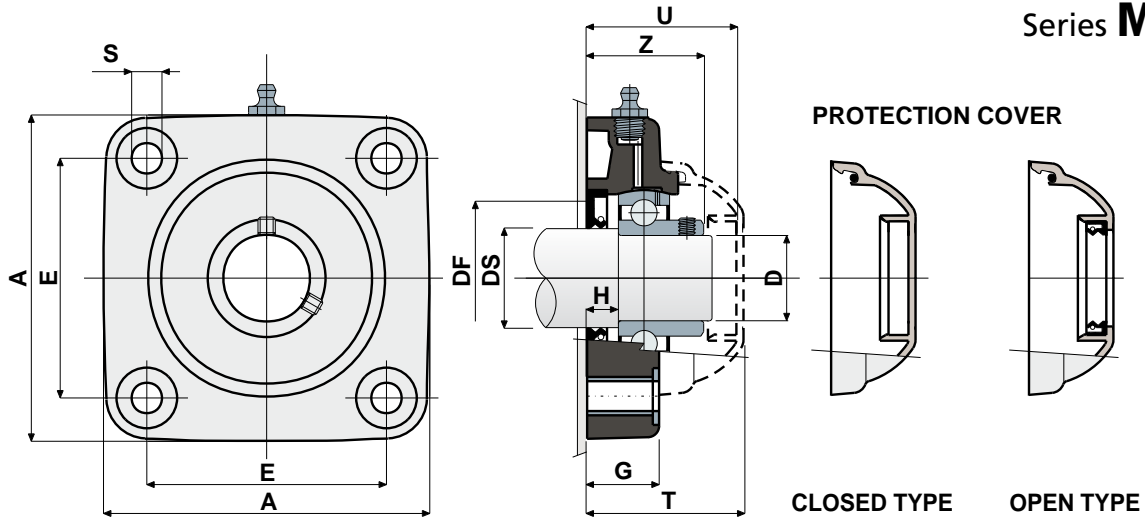
ON REQUEST: Versions with body in polypropylene + glass fiber and antibacterial additive; supports in blue polyamide RAL 5005 FDA APPROVED; protection covers in polypropylene blue Ral 5015 FDA APPROVED; protection covers in different colours and with customized brand; box quantity according to your request; Viton gaskets.



Square flanged bearing supports

Technical data

Series **UCF/CS**
Series **MUCF/CS**



CHROME STEEL BEARING																	COVER CODES														
DS	D	SERIES	Support CODES						DIMENSIONS (mm)										Bearing load (N)			Bearing support load		GREY RAL 7042		BLUE RAL 5015		ORANGE RAL 2004		RED RAL 3000	
			Standard bearing			Long Life bearing			E	A	S	G	H	Z	U	T	DF		C	CO	(N)	Closed	Open	Closed	Open	Closed	Open				
			Black	White	Blue Ral.5005	Black	White	Blue Ral.5005									Max	Min													
25	20	UCF 204 CS	80260	85246	89229	89573	89580	89588	63,5	90	10,5	19	8,5	33,8	44	46,5	45	40	12800	6600	16500	80254	80255	87259	83901	82305	82306	87540	87541		
30	25	UCF 205 CS	80178	85247	89230	89574	89581	89589	70	99,5	10,5	22	10	36,9	47	49,5	50	45	14000	7800	17000	80075	80076	85384	85385	82276	82277	87542	87543		
35	30	UCF 206 CS	80179	85248	89231	89575	89582	89590	83	113	10,5	26	11,5	41,7	52,5	55	60	50	19500	11300	17500	80011	80053	84100	80354	82278	82279	87531	87530		
35	30	MUCF 206 CS	84045	85249	89232	89576	89583	89591	83	113	10,5	26	11,5	41,3	65	68	60	50	19500	11300	17500	80256	80494	83088	87271	82280	87555	87528	87569		
40	35	UCF 207 CS	80180	85250	89233	86697	89584	89592	92	122	10,5	26	10,5	43,2	57	59	70	55	25500	15300	18000	80077	80078	80969	80275	82284	82285	87544	87545		
40	35	MUCF 207 CS	84046	85251	89234	89577	89585	89593	83	122	10,5	26	10,5	42,8	65	68	70	55	25500	15300	18000	80256	80495	83088	87277	82280	87557	87528	87529		
45	40	UCF 208 CS	80261	85252	89235	89578	89586	89594	102	133	10,5	26	9	44,8	65	68	78	65	32500	19800	18000	80256	80257	83088	86722	82280	82281	87528	82804		
45	40	MUCF 208 CS	80713	85253	89236	89579	89587	89595	83	113	10,5	26	9	44,8	65	68	78	65	32500	19800	18000	80256	80257	83088	86722	82280	82281	87528	82804		

STAINLESS STEEL BEARING AISI 440																	COVER CODES														
DS	D	SERIES	Support CODES						DIMENSIONS (mm)										Bearing load (N)			Bearing support load		GREY RAL 7042		BLUE RAL 5015		ORANGE RAL 2004		RED RAL 3000	
			Standard bearing			Long Life bearing			E	A	S	G	H	Z	U	T	DF		C	CO	(N)	Closed	Open	Closed	Open	Closed	Open				
			Black	White	Blue Ral.5005	Black	White	Blue Ral.5005									Max	Min													
25	20	UCF 204 CS	83520	85254	89237	89596	89602	89610	63,5	90	10,5	19	8,5	33,8	44	46,5	45	40	8300	6600	16500	80254	80255	87259	83901	82305	82306	87540	87541		
30	25	UCF 205 CS	84146	85255	89238	88091	89603	89611	70	99,5	10,5	22	10	36,9	47	49,5	50	45	9150	7800	17000	80075	80076	85384	85385	82276	82277	87542	87543		
35	30	UCF 206 CS	83829	85256	89239	89597	89604	89612	83	113	10,5	26	11,5	41,7	52,5	55	60	50	12500	11200	17500	80011	80053	84100	80354	82278	82279	87531	87530		
35	30	MUCF 206 CS	85259	85261	89240	89598	89605	89613	83	113	10,5	26	11,5	41,3	65	68	60	50	12500	11200	17500	80256	80494	83088	87271	82280	87555	87528	87569		
40	35	UCF 207 CS	84147	85257	89241	89599	89606	89614	92	122	10,5	26	10,5	43,2	57	59	70	55	16600	15300	18000	80077	80078	80969	80275	82284	82285	87544	87545		
40	35	MUCF 207 CS	85260	85262	89242	88090	89607	89615	83	122	10,5	26	10,5	42,8	65	68	70	55	16600	15300	18000	80256	80495	83088	87277	82280	87557	87528	87529		
45	40	UCF 208 CS	80322	85258	89243	89600	89608	89616	102	133	10,5	26	9	44,8	65	68	78	65	20000	19000	18000	80256	80257	83088	86722	82280	82281	87528	82804		
45	40	MUCF 208 CS	83828	85263	89244	89601	89609	89617	83	113	10,5	26	9	44,8	65	68	78	65	20000	19000	18000	80256	80257	83088	86722	82280	82281	87528	82804		



Square flanged bearing supports (Solid)

Series **UCF/CX**

Series **MUCF/CX**

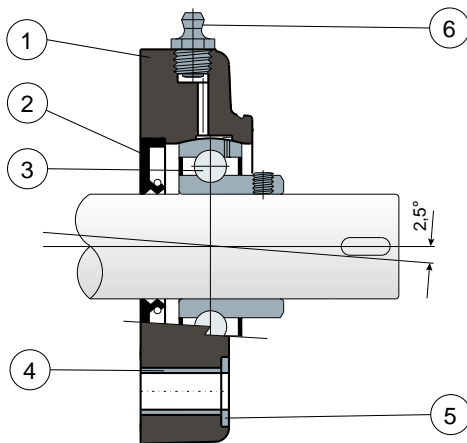


Self-aligning bearings with Solid body: completely closed surface to guarantee the max hygiene.

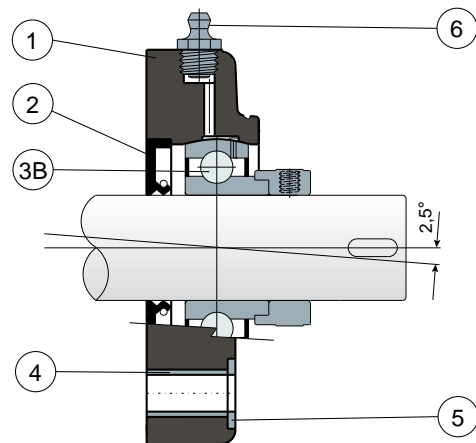


Long Life bearings: life long lubrication.

Grub screws shaft locking - Without protection cover



Eccentric collar shaft locking - Without protection cover



- 1) Housing made out of blue Ral 5005 colour polyamide reinforced with glass fibers.
- 2) Back gasket made out of NBR rubber for turning shaft seal.
- 3) Chrome steel or stainless steel bearing AISI 440.
- 3B) Chrome steel bearing.
- 4) Spacer for fixing reinforcement made out of stainless steel AISI 304.
- 5) UNI 6592 support washer made out of stainless steel AISI 304.
- 6) Greaser, straight type with 1/8 gas thread, made out of nickel-plated brass (absent in the versions with Long Life bearing).

NOTE: The protection cover can be ordered separately as an accessory; in the Long Life version, the greaser is absent and the lubrication channel is protected by a rubber cap.

Support dimensions respect ISO 3228 set of rules.

Maximum shaft alignment error 2,5°

For further information please contact our technical office or sales department.

MATERIALS: Housing is made out of PA + glass fiber in blue Ral 5005 colour; bearing with grub screws shaft locking in chrome steel or stainless steel; bearing with eccentric collar shaft locking in chrome steel; greaser made out of nickel plated brass; reinforcement bushings and washers made out of stainless steel AISI 304; gaskets made out of NBR rubber; cover made out of polypropylene grey Ral 7042, blue Ral 5015, orange Ral 2004 or red Ral 3000 colour.

FEATURES: The protection cover can be ordered separately as an accessory. This part is moulded without internal cavities in order to obtain the best sanitification. Assembly with not shouldered shafts. Maximum shaft alignment error 2.5°.

BOX QUANTITY: 8 pieces.

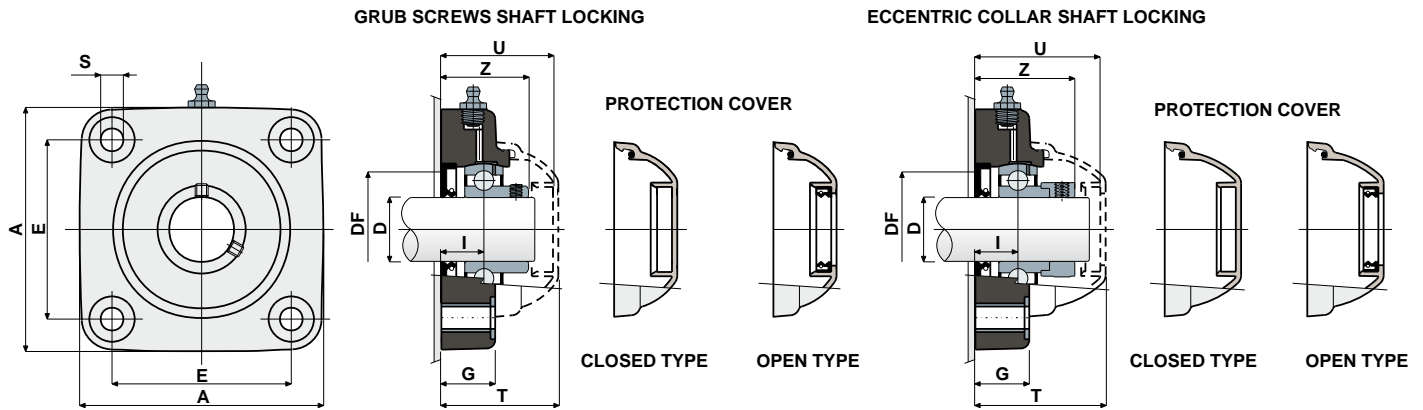
ON REQUEST: Versions with body in polypropylene + glass fiber and antibacterial additive; supports in blue polyamide RAL 5005 FDA APPROVED; protection covers in polypropylene blue Ral 5015 FDA APPROVED; housing in black colour polyamide reinforced with glass fibers; protection covers in different colours and with customized brand; box quantity according to your request; Viton gaskets; available without NBR rubber back gasket for turning shaft seal.



Square flanged bearing supports (Solid)

Technical data

Series **UCF/CX**
Series **MUCF/CX**



GRUB SCREWS SHAFT LOCKING

D	SERIES	CHROME STEEL BEARING											COVER CODES											
		Support CODES		DIMENSIONS (mm)									Bearing load (N)			Bearing support load			GREY RAL 7042	BLUE RAL 5015	ORANGE RAL 2004	RED RAL 3000		
		Standard bearing	Long Life bearing	E	A	S	G	I	Z	U	T	DF		C	CO	(N)	Closed	Open	Closed	Open	Closed	Open	Closed	Open
20	UCF 204 CX	89167	89472	63,5	90	10,5	19	15,5	33,8	44	46,5	45	40	12800	6600	16500	80254	80255	87259	83901	82305	82306	87540	87541
25	UCF 205 CX	89168	89473	70	99,5	10,5	22	17,4	36,9	47	49,5	50	45	14000	7800	17000	80075	80076	85384	85385	82276	82277	87542	87543
30	MUCF 206 CX	87673	89417	83	113	10,5	26	20,7	41,3	65	68	60	50	19500	11300	17500	80256	80494	83088	87271	82280	87555	87528	87569
35	UCF 207 CX	89170	89475	92	122	10,5	26	20	43,2	57	59	70	55	25500	15300	18000	80077	80078	80969	80275	82284	82285	87544	87545
35	MUCF 207 CX	87674	89419	83	113	10,5	26	20	42,8	65	68	70	55	25500	15300	18000	80256	80495	83088	87277	82280	87557	87528	87529
40	UCF 208 CX	89171	89477	102	133	10,5	26	19,5	44,8	65	68	78	65	32500	19800	18000	80256	80257	83088	86722	82280	82281	87528	82804
40	MUCF 208 CX	87675	89421	83	113	10,5	26	19,5	44,8	65	68	78	65	32500	19800	18000	80256	80257	83088	86722	82280	82281	87528	82804

ECCENTRIC COLLAR SHAFT LOCKING

D	SERIES	CHROME STEEL BEARING											COVER CODES						
		Support CODES		DIMENSIONS (mm)									Bearing load (N)			Bearing support load		GREY RAL 7042	
		Standard bearing	Long Life bearing	E	A	S	G	I	Z	U	T	DF		C	CO	(N)	Closed	Open	
20	UCF 204 CX	89172	89479	63,5	90	10,5	19	15,5	39	51	53,5	45	40	12800	6600	16500	88371	88372	
25	UCF 205 CX	89173	89480	70	99,5	10,5	22	17,4	40,9	52,9	55,4	50	45	14000	7800	17000	88373	88374	
30	MUCF 206 CX	88459	89440	83	113	10,5	26	20,7	47	65	68	60	50	19500	11300	17500	80256	80494	
35	UCF 207 CX	89174	89482	92	122	10,5	26	20	49,3	61,3	63,8	70	55	25500	15300	18000	88377	88378	
35	MUCF 207 CX	88461	89442	83	113	10,5	26	20	48,9	65	68	70	55	25500	15300	18000	80256	80495	
40	UCF 208 CX	89175	89484	102	133	10,5	26	19,5	52,2	65	68	78	65	32500	19800	18000	80256	80257	
40	MUCF 208 CX	88463	89444	83	113	10,5	26	19,5	52,2	65	68	78	65	32500	19800	18000	80256	80257	

GRUB SCREWS SHAFT LOCKING

D	SERIES	STAINLESS STEEL BEARING AISI 440											COVER CODES											
		Support CODES		DIMENSIONS (mm)									Bearing load (N)			Bearing support load		GREY RAL 7042	BLUE RAL 5015	ORANGE RAL 2004	RED RAL 3000			
		Standard bearing	Long Life bearing	E	A	S	G	I	Z	U	T	DF		C	CO	(N)	Closed	Open	Closed	Open	Closed	Open	Closed	Open
20	UCF 204 CX	89176	89486	63,5	90	10,5	19	15,5	33,8	44	46,5	45	40	8300	6600	16500	80254	80255	87259	83901	82305	82306	87540	87541
25	UCF 205 CX	89177	89487	70	99,5	10,5	22	17,4	36,9	47	49,5	50	45	9150	7800	17000	80075	80076	85384	85385	82276	82277	87542	87543
30	MUCF 206 CX	87676	89458	83	113	10,5	26	20,7	41,3	65	68	60	50	12500	11200	17500	80256	80494	83088	87271	82280	87555	87528	87569
35	UCF 207 CX	89178	89489	92	122	10,5	26	20	43,2	57	59	70	55	16600	15300	18000	80077	80078	80969	80275	82284	82285	87544	87545
35	MUCF 207 CX	87677	89460	83	113	10,5	26	20	42,8	65	68	70	55	16600	15300	18000	80256	80495	83088	87277	82280	87557	87528	87529
40	UCF 208 CX	89179	89491	102	133	10,5	26	19,5	44,8	65	68	78	65	20000	19000	18000	80256	80257	83088	86722	82280	82281	87528	82804
40	MUCF 208 CX	87678	89462	83	113	10,5	26	19,5	44,8	65	68	78	65	20000	19000	18000	80256	80257	83088	86722	82280	82281	87528	82804

GRUB SCREWS SHAFT LOCKING - VERSIONS WITH MEASURES IN INCHES

D	SERIES	CHROME STEEL BEARING											COVER CODES												
		Support CODES		DIMENSIONS (mm)									Bearing load (N)			Bearing support load		GREY RAL 7042	BLUE RAL 5015	ORANGE RAL 2004	RED RAL 3000				
		Standard bearing	Long Life bearing	E	A	S	G	I	Z	U	T	DF		C	CO	(N)	Closed	Open	Closed	Open	Closed	Open	Closed	Open	
1"	25,4	UCF 205 CX	89222	89493	70	99,5	10,5	22	17,4	36,9	47	49,5	50	45	14000	7800	17000	80075	85202	85384	87273	82276	87660	87542	87663
1 1/4"	31,75	MUCF 206 CX	87681	89471	83	113	10,5	26	20,7	41,3	65	68	60	50	19500	11300	17500	80256	85204	83088	87275	82280	87662	87528	87665

Inch dimensions conform to the British Imperial system



Square flanged bearing supports (Solid)

Series **UCF/C**



On request covers in polypropylene blue Ral 5015 colour.



On request covers in polypropylene grey Ral 7042 colour.



On request covers in polypropylene red Ral 3000 colour.

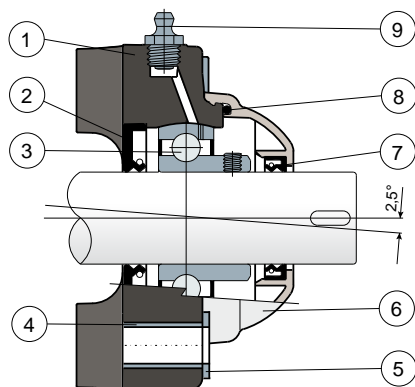


Self-aligning bearings with Solid body: completely closed surface to guarantee the max hygiene.



Long Life bearings: life long lubrication.

Full protection of bearing



- 1) Housing made out of blue Ral 5005 colour polyamide reinforced with glass fibers.
- 2) Back gasket made out of NBR rubber for turning shaft seal.
- 3) Chrome steel or stainless steel bearing AISI 440.
- 4) Spacer for fixing reinforcement made out of stainless steel AISI 304.
- 5) UNI 6592 support washer made out of stainless steel AISI 304.
- 6) Protection cover made out of polypropylene (orange Ral 2004 colour).
- 7) Front gasket made out of NBR rubber for turning shaft seal.
- 8) OR gasket made out of NBR rubber
- 9) Greaser, straight type with 1/8 gas thread, made out of stainless steel AISI 303 (absent in the versions with Long Life bearing).

N.B.: In the Long Life version, the greaser is absent and the lubrication channel is protected by a rubber cap.

Support dimensions respect ISO 3228 set of rules

Maximum shaft alignment error 2,5°

For further information please contact our technical office or sales department.

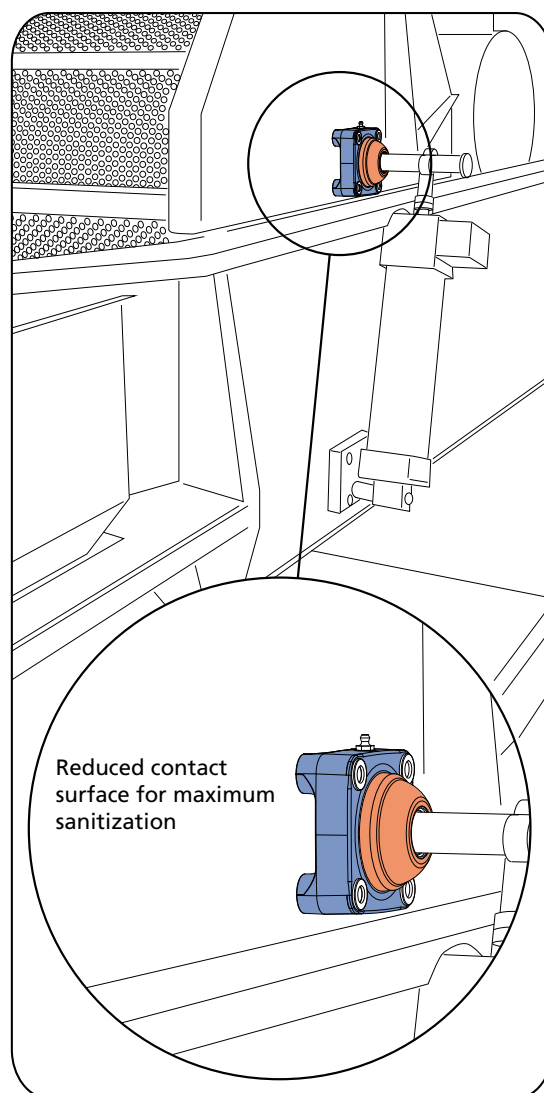
MATERIALS: Support made out of blue Ral 5005 colour PA + glass fiber; chrome steel or stainless steel bearing; greaser made out of stainless steel; reinforcement bushings and washers made out of stainless steel AISI 304; gaskets made out of NBR rubber; cover made out of orange Ral 2004 colour polypropylene.

FEATURES: Full protection of bearing against external agents. Assembly with not shouldered shafts. The reduced contact surface of the base of the support allows maximum sanitization. Maximum shaft alignment error 2.5°.

BOX QUANTITY: 8 pieces.

ON REQUEST: Versions with body in polypropylene + glass fiber and antibacterial additive; supports with eccentric collar shaft locking with chrome steel bearing; supports in polyamide blue RAL 5005 FDA APPROVED; protection covers in different colours and with customized brand; box quantity according to your request; Viton gaskets.

Example of application

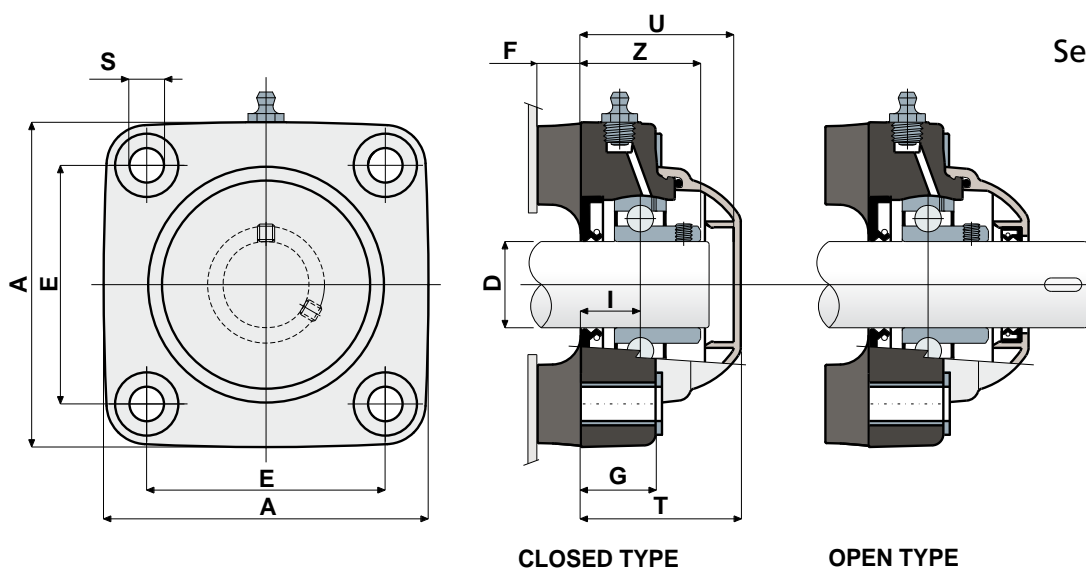




Square flanged bearing supports (Solid)

Technical data

Series **UCF/C**



		CHROME STEEL BEARING																
D	SERIES	CODES				DIMENSIONS (mm)										Bearing load (N)		Bearing support load
		Standard bearing		Long Life bearing		E	A	S	F	G	I	Z	U	T	C	CO	(N)	
		Blue Ral 5005																
		Closed	Open	Closed	Open													
20	UCF 204 C	90665	90666	90677	90678	63,5	90,5	10,5	15	19,2	15,5	33,8	44	46,5	12800	6600	16500	
25	UCF 205 C	88684	88685	89397	89398	70	99,5	10,5	15	22	17,4	36,9	47	49,5	14000	7800	17000	
30	UCF 206 C	88688	88689	89399	89400	83	113	10,5	15	26	20	41	53,2	55,7	19500	11300	17500	
35	UCF 207 C	90667	90668	90679	90680	92	122,5	10,5	15	26,3	20	43,2	56,5	59	25500	15300	18000	
40	UCF 208 C	90669	90670	90681	90682	102	133	10,5	15	26,3	19,5	44,8	65,5	68	32500	19800	18000	

		STAINLESS STEEL BEARING AISI 440																
D	SERIES	CODES				DIMENSIONS (mm)										Bearing load (N)		Bearing support load
		Standard bearing		Long Life bearing		E	A	S	F	G	I	Z	U	T	C	CO	(N)	
		Blue Ral 5005																
		Closed	Open	Closed	Open													
20	UCF 204 C	90671	90672	90683	90684	63,5	90,5	10,5	15	19,2	15,5	33,8	44	46,5	8300	6600	16500	
25	UCF 205 C	88686	88687	89401	89402	70	99,5	10,5	15	22	17,4	36,9	47	49,5	9150	7800	17000	
30	UCF 206 C	88690	88691	89403	89404	83	113	10,5	15	26	20	41	53,2	55,7	12500	11200	17500	
35	UCF 207 C	90673	90674	90685	90686	92	122,5	10,5	15	26,3	20	43,2	56,5	59	16600	15300	18000	
40	UCF 208 C	90675	90676	90687	90688	102	133	10,5	15	26,3	19,5	44,8	65,5	68	20000	19000	18000	

VERSIONS WITH MEASURES IN INCHES

		CHROME STEEL BEARING																
D	SERIES	CODES				DIMENSIONS (mm)										Bearing load (N)		Bearing support load
		Standard bearing		Long Life bearing		E	A	S	F	G	I	Z	U	T	C	CO	(N)	
		Blue Ral 5005																
		Closed	Open	Closed	Open													
(inches)	(mm)																	
NEW 1"	25,4	UCF 205 C	91192	91193	91204	91205	70	99,5	10,5	15	22	17,4	36,9	47	49,5	14000	7800	17000
NEW 1 1/4"	31,75	UCF 206 C	91194	91195	91206	91207	83	113	10,5	15	26	20	41	53,2	55,7	19500	11300	17500

Inch dimensions conform to the British Imperial system



Square flanged bearing supports (Solid)

Series **UCF/CX**

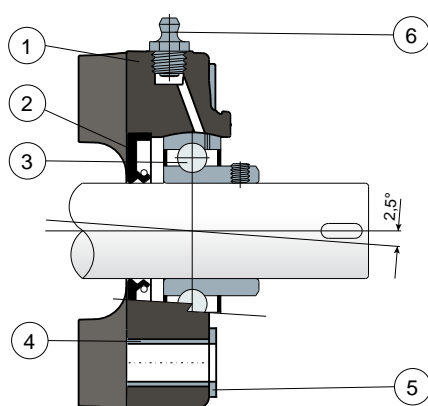


Self-aligning bearings with Solid body: completely closed surface to guarantee the max hygiene.

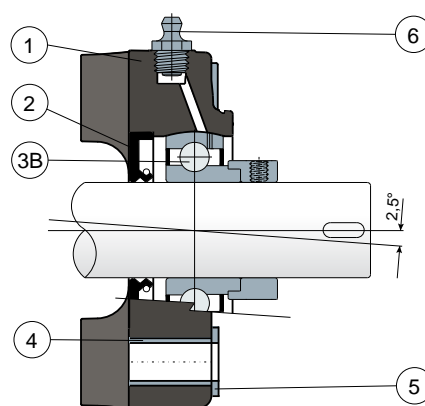


Long Life bearings: life long lubrication.

Grub screws shaft locking - Without protection cover



Eccentric collar shaft locking - Without protection cover



- 1) Housing made out of blue Ral 5005 colour polyamide reinforced with glass fibers.
- 2) Back gasket made out of NBR rubber for turning shaft seal.
- 3) Chrome steel or stainless steel bearing AISI 440.
- 3B) Chrome steel bearing.
- 4) Spacer for fixing reinforcement made out of stainless steel AISI 304.
- 5) UNI 6592 support washer made out of stainless steel AISI 304.
- 6) Greaser, straight type with 1/8 gas thread, made out of stainless steel AISI 303 (absent in the versions with Long Life bearing).

NOTE: The protection cover can be ordered separately as an accessory; in the Long Life version, the greaser is absent and the lubrication channel is protected by a rubber cap.

Support dimensions respect ISO 3228 set of rules

Maximum shaft alignment error 2,5°

For further information please contact our technical office or sales department.

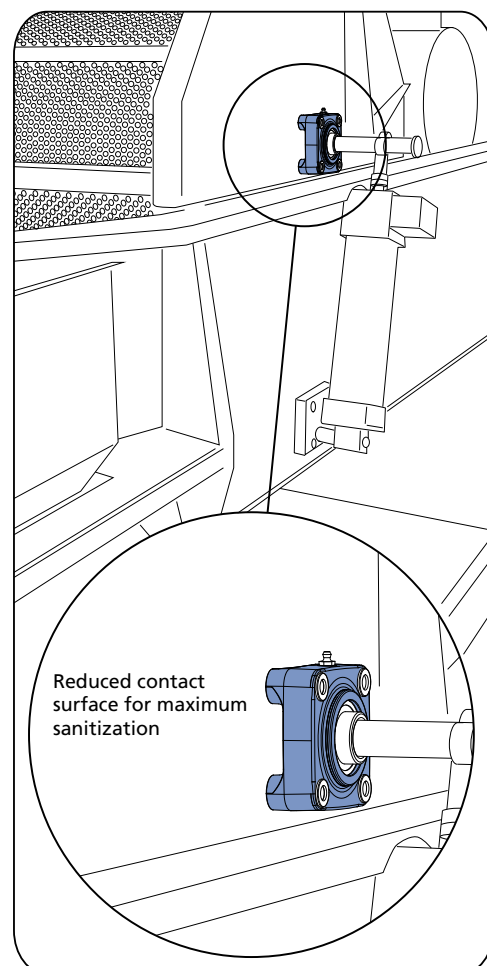
MATERIALS: Support made out of blue Ral 5005 colour PA + glass fiber; bearing with grub screws shaft locking in chrome steel or stainless steel; bearing with eccentric collar shaft locking in chrome steel; greaser made out of stainless steel; reinforcement bushings and washers made out of stainless steel AISI 304; gaskets made out of NBR rubber; cover made out of polypropylene grey Ral 7042, blue Ral 5015, orange Ral 2004, red Ral 3000 colour.

FEATURES: The protection cover can be ordered separately as an accessory. The reduced contact surface of the base of the support allows maximum sanitification. Assembly with not shouldered shafts. Maximum shaft alignment error 2.5°.

BOX QUANTITY: 8 pieces.

ON REQUEST: Versions with body in polypropylene + glass fiber and antibacterial additive; supports in polyamide blue RAL 5005 FDA APPROVED; protection covers in polypropylene blue Ral 5015 FDA APPROVED; protection covers in different colours and with customized brand; box quantity according to your request; Viton gaskets; available without NBR rubber back gasket for turning shaft seal.

Example of application

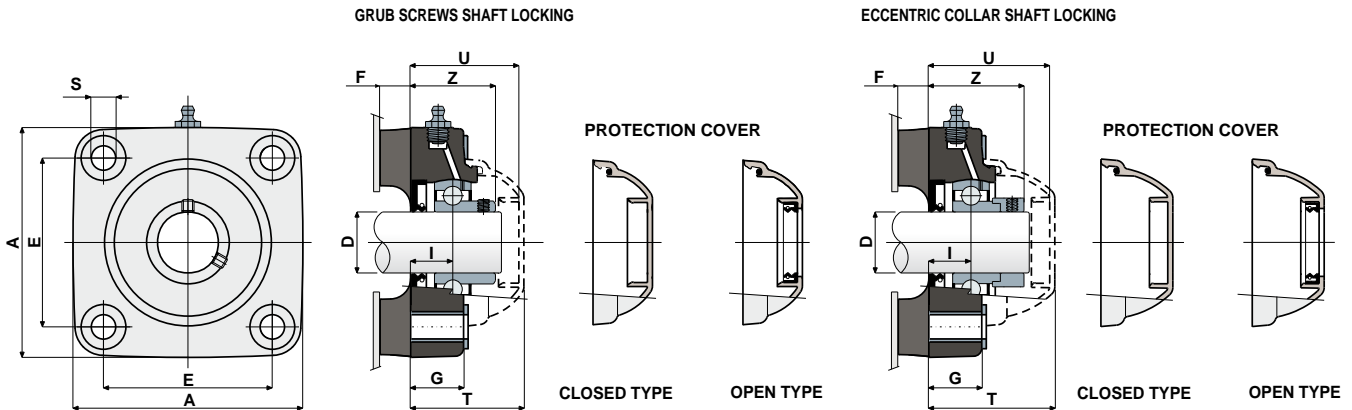




Square flanged bearing supports (Solid)

Technical data

Series **UCF/CX**



GRUB SCREWS SHAFT LOCKING

D	SERIES	CHROME STEEL BEARING													COVER CODES								
		Support CODES		DIMENSIONS (mm)										Bearing load (N)		Bearing support load		GREY RAL 7042	BLUE RAL 5015	ORANGE RAL 2004	RED RAL 3000		
		Standard bearing	Long Life bearing	E	A	S	F	G	I	Z	U	T	C	CO	(N)	Closed	Open	Closed	Open	Closed	Open	Closed	Open
		Blue Ral 5005																					
20	UCF 204 CX	90689	90698	63,5	90,5	10,5	15	19,2	15,5	33,8	44	46,5	12800	6600	16500	80254	80255	87259	83901	82305	82306	87540	87541
25	UCF 205 CX	88692	89495	70	99,5	10,5	15	22	17,4	36,9	47	49,5	14000	7800	17000	80075	80076	85384	85385	82276	82277	87542	87543
30	UCF 206 CX	88693	89496	83	113	10,5	15	26	20	41	53,2	55,7	19500	11300	17500	80011	80053	84100	80354	82278	82279	87531	87530
35	UCF 207 CX	90690	90699	92	122,5	10,5	15	26,3	20	43,2	56,5	59	25500	15300	18000	80077	80078	80969	80275	82284	82285	87544	87545
40	UCF 208 CX	90691	90700	102	133	10,5	15	26,3	19,5	44,8	65,5	68	32500	19800	18000	80256	80257	83088	86722	82280	82281	87528	82804

ECCENTRIC COLLAR SHAFT LOCKING

D	SERIES	CHROME STEEL BEARING													COVER CODES				
		Support CODES		DIMENSIONS (mm)										Bearing load (N)		Bearing support load		GREY RAL 7042	
		Standard bearing	Long Life bearing	E	A	S	F	G	I	Z	U	T	C	CO	(N)	Closed	Open		
		Blue Ral 5005																	
20	UCF 204 CX	90692	90701	63,5	90,5	10,5	15	19,2	15,5	39	51	53,3	12800	6600	16500	88371	88372		
25	UCF 205 CX	88696	89497	70	99,5	10,5	15	22	17,4	40,9	52,9	55,4	14000	7800	17000	88373	88374		
30	UCF 206 CX	88697	89498	83	113	10,5	15	26	20	46,7	59,4	61,9	19500	11300	17500	88375	88376		
35	UCF 207 CX	90693	90702	92	122,5	10,5	15	26,3	20	49,3	61,3	63,8	25500	15300	18000	88377	88378		
40	UCF 208 CX	90694	90703	102	133	10,5	15	26,3	19,5	52,2	65	68	32500	19800	18000	80256	80257		

GRUB SCREWS SHAFT LOCKING

D	SERIES	STAINLESS STEEL BEARING AISI 440													COVER CODES								
		Support CODES		DIMENSIONS (mm)										Bearing load (N)		Bearing support load		GREY RAL 7042	BLUE RAL 5015	ORANGE RAL 2004	RED RAL 3000		
		Standard bearing	Long Life bearing	E	A	S	F	G	I	Z	U	T	C	CO	(N)	Closed	Open	Closed	Open	Closed	Open	Closed	Open
		Blue Ral 5005																					
20	UCF 204 CX	90695	90704	63,5	90,5	10,5	15	19,2	15,5	33,8	44	46,5	8300	6600	16500	80254	80255	87259	83901	82305	82306	87540	87541
25	UCF 205 CX	88694	89499	70	99,5	10,5	15	22	17,4	36,9	47	49,5	9150	7800	17000	80075	80076	85384	85385	82276	82277	87542	87543
30	UCF 206 CX	88695	89500	83	113	10,5	15	26	20	41	53,2	55,7	12500	11200	17500	80011	80053	84100	80354	82278	82279	87531	87530
35	UCF 207 CX	90696	90705	92	122,5	10,5	15	26,3	20	43,2	56,5	59	16600	15300	18000	80077	80078	80969	80275	82284	82285	87544	87545
40	UCF 208 CX	90697	90706	102	133	10,5	15	26,3	19,5	44,8	65,5	68	20000	19000	18000	80256	80257	83088	86722	82280	82281	87528	82804

GRUB SCREWS SHAFT LOCKING - VERSIONS WITH MEASURES IN INCHES

D	SERIES	CHROME STEEL BEARING													COVER CODES									
		Support CODES		DIMENSIONS (mm)										Bearing load (N)		Bearing support load		GREY RAL 7042	BLUE RAL 5015	ORANGE RAL 2004	RED RAL 3000			
		Standard bearing	Long Life bearing	E	A	S	F	G	I	Z	U	T	C	CO	(N)	Closed	Open	Closed	Open	Closed	Open	Closed	Open	
		Blue Ral 5005																						
1"	25,4	UCF 205 CX	91216	91222	70	99,5	10,5	15	22	17,4	36,9	47	49,5	14000	7800	17000	80075	85202	85384	87273	82276	87660	87542	87663
1 1/4"	31,75	UCF 206 CX	91217	91223	83	113	10,5	15	26	20	41	53,2	55,7	19500	11300	17500	80011	85203	84100	87274	82278	87661	87531	87664

Inch dimensions conform to the British Imperial system



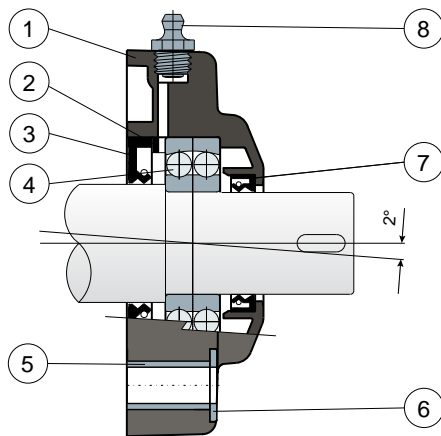
Square flanged bearing supports

Series F

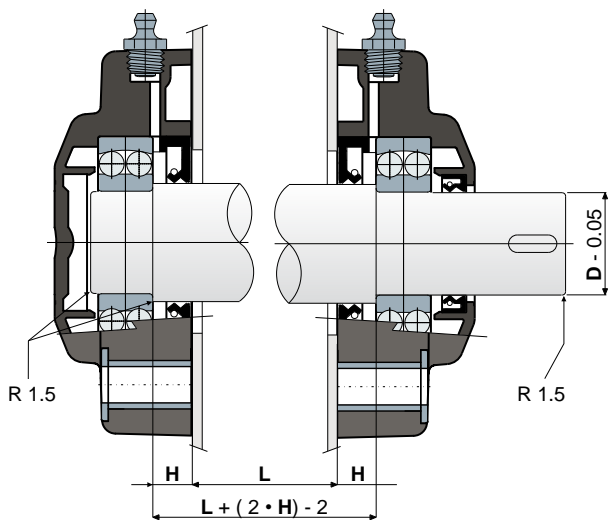


The bearing cover integrated into the body of the support guarantees maximum sanitation

Back gasket for shouldered shaft



Mounting specifications



- 1) Housing made out of black or white colour polyamide reinforced with glass fibers.
- 2) Intermediate bearing ring spacer made out of black colour polyamide reinforced with glass fibers.
- 3) Back gasket made out of NBR rubber for turning shaft seal.
- 4) Chrome steel bearing type 1200 supplied without lubricant.
- 5) Spacer for fixing reinforcement made out of stainless steel AISI 304.
- 6) UNI 6592 support washer made out of stainless steel AISI 304.
- 7) Front gasket made out of NBR rubber for turning shaft seal.
- 8) Greaser, straight type with 1/8 gas thread, made out of nickel-plated brass.

Support dimensions respect ISO 3228 set of rules

Maximum shaft alignment error 2°

For further information please contact our technical office or sales department.

MATERIALS: Housing is made out of PA + glass fiber in black or white colours; Intermediate bearing ring spacer made out of black colour PA + glass fiber; chrome steel bearing; greaser made out of nickel plated brass; reinforcement bushings and washers made out of stainless steel AISI 304; gaskets made out of NBR rubber.

FEATURES: Back gasket for shouldered shafts. Use of shouldered shafts allows a higher capability of axial load. Maximum shaft alignment error 2°.

BOX QUANTITY: 8 pieces.

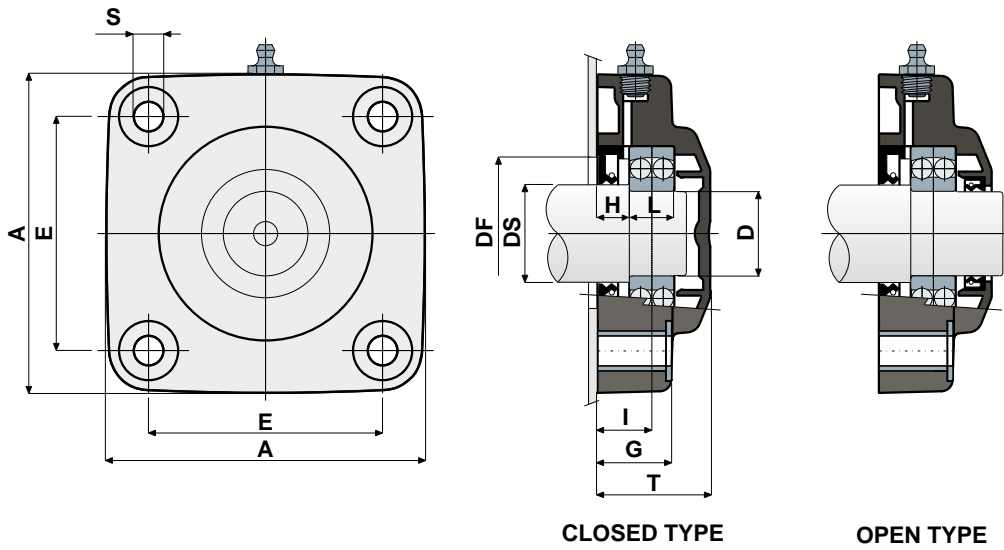
ON REQUEST: Versions with body in polypropylene + glass fiber and antibacterial additive; box quantity according to your request; Viton gaskets.



Square flanged bearing supports

Technical data

Series **F**



CHROME STEEL BEARING																			
DS	D	SERIES	CODES				DIMENSIONS (mm)										Bearing load (N)		Bearing support load
			Black		White		E	A	S	G	H	I	L	T	DF		C	C0	(N)
			Closed	Open	Closed	Open									Max	Min			
30	25	F 1205	87469	87475	87470	87476	70	99	10,5	22	11	18,8	15	36,5	50	47	14300	4000	17250
35	30	F 1206	87481	87487	87482	87488	83	113	10,5	26	11	19,3	16	40	60	52	15600	4650	17250
40	35	F 1207	91015	91016	91017	91018	92	122,5	10,5	26	11	20	17	40,7	70	60	19000	6000	17250
45	40	F 1208	91019	91020	91021	91022	102	133	10,5	26	14,5	23,5	18	46,2	78	65	19900	6950	18400

NEW
NEW



Oval flanged bearing supports (Solid)

Series **UCFL/CA**



On request covers in polypropylene blue Ral 5015 colour.



On request covers in polypropylene orange Ral 2004 colour.



On request covers in polypropylene red Ral 3000 colour.

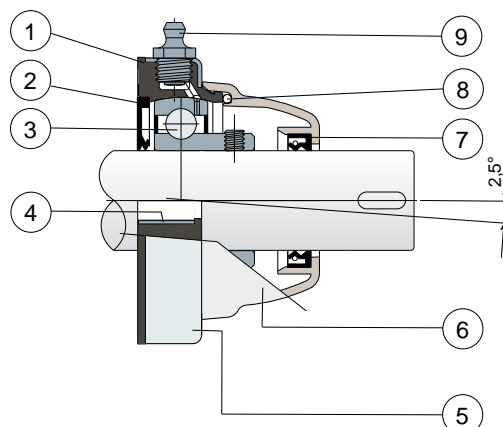


Self-aligning bearings with Solid body: completely closed surface to guarantee the max hygiene.



Long Life bearings: life long lubrication.

External cover made out of stainless steel AISI 304



- 1) Internal body of support made out of black colour polypropylene reinforced with glass fibers.
- 2) Back gasket made out of NBR rubber for turning shaft seal.
- 3) Chrome steel or stainless steel bearing AISI 440.
- 4) Spacer for fixing reinforcement made out of stainless steel AISI 304.
- 5) External cover of support made out of AISI 304 stainless steel.
- 6) Protection cover made out of polypropylene (grey colour Ral 7042).
- 7) Front gasket made out of NBR rubber for turning shaft seal.
- 8) OR gasket made out of NBR rubber.
- 9) Greaser, straight type with 1/8 gas thread, made out of nickel-plated brass (absent in the versions with Long Life bearing).

N.B.: In the Long Life version, the greaser is absent and the lubrication channel is protected by a rubber cap.

Maximum shaft alignment error 2,5°

For further information please contact our technical office or sales department.

MATERIALS: Support made out of black colour PP + glass fiber; external cover of support made out of stainless steel AISI 304; chrome steel or stainless steel bearing; greaser made out of nickel plated brass; reinforcement bushings made out of stainless steel AISI 304; gaskets made out of NBR rubber; protection cover made out of grey RAL 7042 colour polypropylene.

FEATURES: Full protection of bearing against external agents. Housing in polypropylene covered with a layer of AISI 304 stainless steel, to obtain the maximum chemical resistance to antibacterial detergents used in the food processing sector. More over this part is moulded without internal cavities in order to obtain the best sanification. Assembly with not shouldered shaft. Maximum shaft alignment error 2.5°.

BOX QUANTITY: 8 pieces.

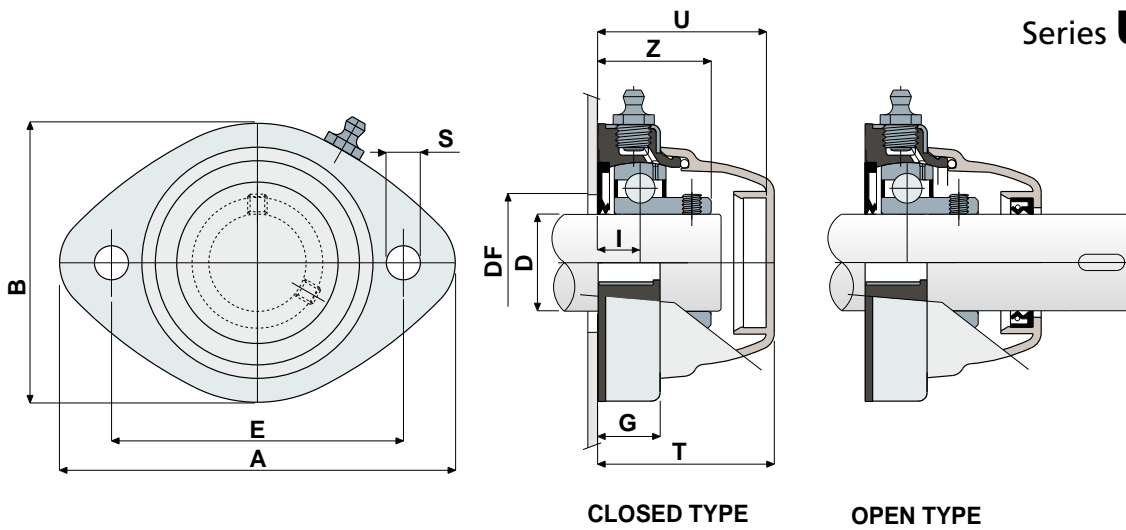
ON REQUEST: Protection covers in different colours and with customized brand; supports with eccentric collar shaft locking with chrome steel bearing; internal body in reinforced polypropylene white or blue Ral 5005 colour; box quantity according to your request; Viton gaskets.



Oval flanged bearing supports (Solid)

Technical data

Series **UCFL/CA**



CHROME STEEL BEARING																			
D	SERIES	CODES				DIMENSIONS (mm)										Bearing load (N)		Bearing support load (N)	
		Standard bearing		Long Life bearing		E	A	B	S	G	I	Z	U	T	DF		C		CO
		Closed	Open	Closed	Open										Max	Min			
30	UCFL 206 CA	84021	83999	87235	87237	117	147	112	11	27	21	42	65	68	60	50	19500	11300	13000
35	UCFL 207 CA	84022	84000	88818	88817	117	147	112	11	27	20	43,2	65	68	70	55	25500	15300	14000
40	UCFL 208 CA	84023	84001	89981	89982	117	147	112	11	27	20	44,8	65	68	78	65	32500	19800	15000

STAINLESS STEEL BEARING AISI 440																			
D	SERIES	CODES				DIMENSIONS (mm)										Bearing load (N)		Bearing support load (N)	
		Standard bearing		Long Life bearing		E	A	B	S	G	I	Z	U	T	DF		C		CO
		Closed	Open	Closed	Open										Max	Min			
30	UCFL 206 CA	84024	84002	84990	84989	117	147	112	11	27	21	42	65	68	60	50	12500	11200	13000
35	UCFL 207 CA	84006	84003	87363	87362	117	147	112	11	27	20	43,2	65	68	70	55	16600	15300	14000
40	UCFL 208 CA	84010	84005	89983	84993	117	147	112	11	27	20	44,8	65	68	78	65	20000	19000	15000

VERSIONS WITH MEASURES IN INCHES

CHROME STEEL BEARING																				
D	SERIES	CODES				DIMENSIONS (mm)										Bearing load (N)		Bearing support load (N)		
		Standard bearing		Long Life bearing		E	A	B	S	G	I	Z	U	T	DF		C		CO	
		Closed	Open	Closed	Open										Max	Min				
1"1/4 (inches)	31,75 (mm)	UCFL 206 CA	84521	84541	89984	89985	117	147	112	11	27	21	42	65	68	60	50	19500	11300	13000

Inch dimensions conform to the British Imperial system



Oval flanged bearing supports (Solid)

Series **UCFL/CXA**



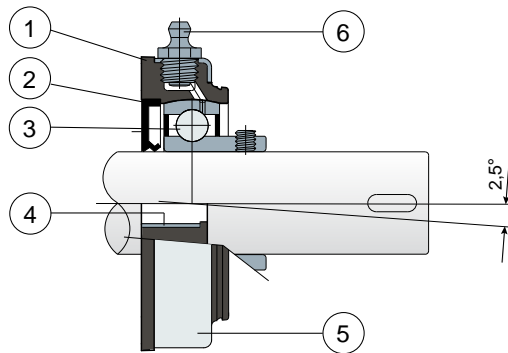
Self-aligning bearings with Solid body: completely closed surface to guarantee the max hygiene.



Long Life bearings: life long lubrication.

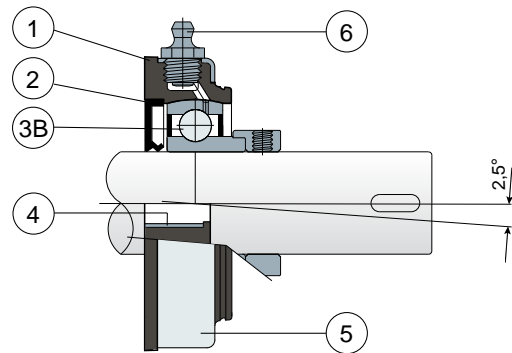
Grub screws shaft locking

External cover made out of stainless steel AISI 304; without protection cover



Eccentric collar shaft locking

External cover made out of stainless steel AISI 304; without protection cover



- 1) Internal body of support made out of black colour polypropylene reinforced with glass fibers.
- 2) Back gasket made out of NBR rubber for turning shaft seal.
- 3) Chrome steel or stainless steel bearing AISI 440.
- 3B) Chrome steel bearing.
- 4) Spacer for fixing reinforcement made out of stainless steel AISI 304.
- 5) External cover of support made out of AISI 304 stainless steel.
- 6) Greaser, straight type with 1/8 gas thread, made out of nickel-plated brass (absent in the versions with Long Life bearing).

NOTE: The protection cover can be ordered separately as an accessory; in the Long Life version, the greaser is absent and the lubrication channel is protected by a rubber cap.

Maximum shaft alignment error 2,5°
For further information please contact our technical office or sales department.

MATERIALS: Support made out of black colour PP + glass fiber; external cover of support made out of stainless steel AISI 304; bearing with grub screws shaft locking in chrome steel or stainless steel; bearing with eccentric collar shaft locking in chrome steel; greaser made out of nickel plated brass; reinforcement bushings made out of stainless steel AISI 304; gaskets made out of NBR rubber; protection cover made out of polypropylene grey Ral 7042, blue Ral 5015, orange Ral 2004 or red Ral 3000 colour.

FEATURES: The protection cover can be ordered separately as an accessory. Housing in polypropylene covered with a layer of AISI 304 stainless steel, to obtain the maximum chemical resistance to antibacterial detergents used in the food processing sector. More over this part is moulded without internal cavities in order to obtain the best sanification. Assembly with not shouldered shaft. Maximum shaft alignment error 2.5°.

BOX QUANTITY: 8 pieces.

ON REQUEST: Protection covers in different colours and with customized brand; protection covers in polypropylene blue Ral 5015 FDA APPROVED; internal body in reinforced polypropylene white or blue Ral 5005 colour; box quantity according to your request; Viton gaskets.



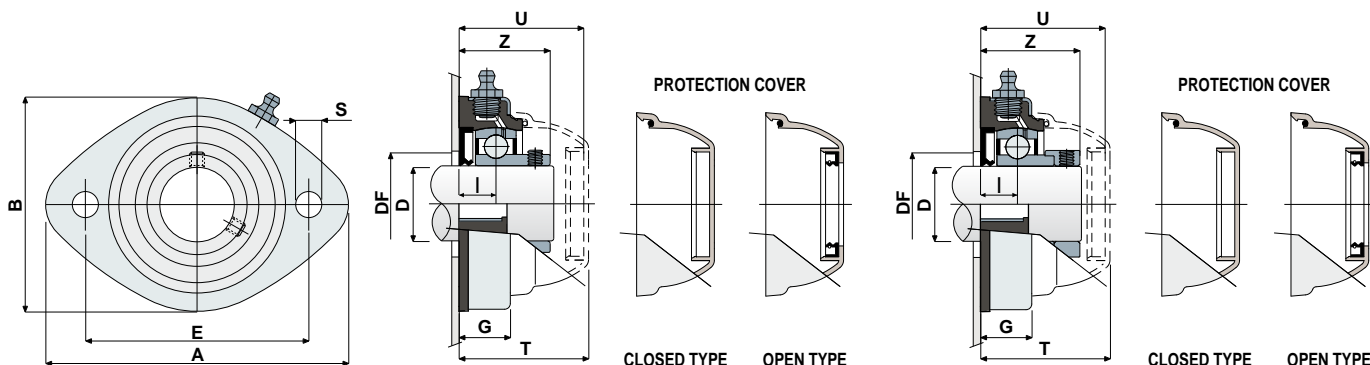
Oval flanged bearing supports (Solid)

Technical data

Series **UCFL/CXA**

GRUB SCREWS SHAFT LOCKING

ECCENTRIC COLLAR SHAFT LOCKING



GRUB SCREWS SHAFT LOCKING

D	SERIES	CHROME STEEL BEARING													COVER CODES																				
		Support CODES		DIMENSIONS (mm)										Bearing load (N)			Bearing support load			GREY RAL 7042				BLUE RAL 5015				ORANGE RAL 2004				RED RAL 3000			
		Standard bearing	Long Life bearing	E	A	B	S	G	I	Z	U	T	DF		C	CO	(N)	Closed	Open	Closed	Open	Closed	Open	Closed	Open	Closed	Open								
30	UCFL 206 CXA	84007	89099	117	147	112	11	27	21	42	65	68	60	50	19500	11300	13000		80494		87271		87555		87569										
35	UCFL 207 CXA	84008	89986	117	147	112	11	27	20	43,2	65	68	70	55	25500	15300	14000	80256	80495	83088	87277	82280	87557	87528	87529										
40	UCFL 208 CXA	84009	89987	117	147	112	11	27	19,5	44,8	65	68	78	65	32500	19800	15000		80257		86722		82281		82804										

ECCENTRIC COLLAR SHAFT LOCKING

D	SERIES	CHROME STEEL BEARING													COVER CODES							
		Support CODES		DIMENSIONS (mm)										Bearing load (N)			Bearing support load		GREY RAL 7042			
		Standard bearing	Long Life bearing	E	A	B	S	G	I	Z	U	T	DF		C	CO	(N)	Closed	Open			
30	UCFL 206 CXA	88552	89988	117	147	112	11	27	21	47,7	65	68	60	50	19500	11300	13000		80494			
35	UCFL 207 CXA	88553	89989	117	147	112	11	27	20	49,3	65	68	70	55	25500	15300	14000	80256	80495			
40	UCFL 208 CXA	88554	89990	117	147	112	11	27	19,5	52,2	65	68	78	65	32500	19800	15000		80257			

GRUB SCREWS SHAFT LOCKING

D	SERIES	STAINLESS STEEL BEARING AISI 440													COVER CODES																			
		Support CODES		DIMENSIONS (mm)										Bearing load (N)			Bearing support load		GREY RAL 7042				BLUE RAL 5015				ORANGE RAL 2004				RED RAL 3000			
		Standard bearing	Long Life bearing	E	A	B	S	G	I	Z	U	T	DF		C	CO	(N)	Closed	Open	Closed	Open	Closed	Open	Closed	Open	Closed	Open							
30	UCFL 206 CXA	84011	87257	117	147	112	11	27	21	42	65	68	60	50	12500	11200	13000		80494		87271		87555		87569									
35	UCFL 207 CXA	84012	85313	117	147	112	11	27	20	43,2	65	68	70	55	16600	15300	14000	80256	80495	83088	87277	82280	87557	87528	87529									
40	UCFL 208 CXA	84013	87258	117	147	112	11	27	19,5	44,8	65	68	78	65	20000	19000	15000		80257		86722		82281		82804									

GRUB SCREWS SHAFT LOCKING - VERSIONS WITH MEASURES IN INCHES

D	SERIES	CHROME STEEL BEARING													COVER CODES																			
		Support CODES		DIMENSIONS (mm)										Bearing load (N)			Bearing support load		GREY RAL 7042				BLUE RAL 5015				ORANGE RAL 2004				RED RAL 3000			
		Standard bearing	Long Life bearing	E	A	B	S	G	I	Z	U	T	DF		C	CO	(N)	Closed	Open	Closed	Open	Closed	Open	Closed	Open	Closed	Open							
1 1/4	31,75	UCFL 206 CXA	84522	89991	117	147	112	11	27	21	42	65	68	60	50	19500	11300	13000	80256	85204	83088	87275	82280	87662	87528	87665								

Inch dimensions conform to the British Imperial system



Oval flanged bearing supports

Series **UCFL/C**

Series **MUCFL/C**



On request covers in polypropylene blue Ral 5015 colour.



On request covers in polypropylene orange Ral 2004 colour.



On request covers in polypropylene red Ral 3000 colour.

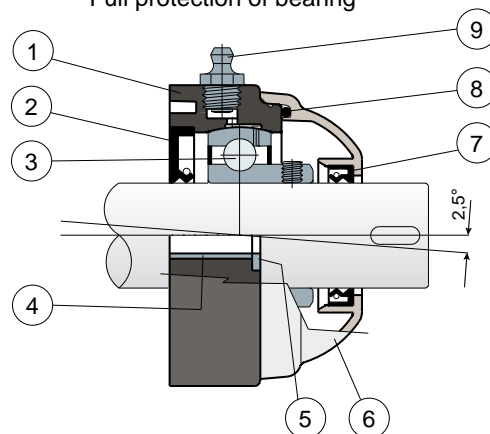


Self-aligning bearings with Solid body: completely closed surface to guarantee the max hygiene.



Long Life bearings: life long lubrication.

Full protection of bearing



- 1) Housing made out of black or white colour polyamide reinforced with glass fibers.
- 2) Back gasket made out of NBR rubber for turning shaft seal.
- 3) Chrome steel or stainless steel bearing AISI 440.
- 4) Spacer for fixing reinforcement made out of stainless steel AISI 304.
- 5) UNI 6592 support washer made out of stainless steel AISI 304.
- 6) Protection cover made out of polypropylene (grey colour Ral 7042).
- 7) Front gasket made out of NBR rubber for turning shaft seal.
- 8) OR gasket made out of NBR rubber
- 9) Greaser, straight type with 1/8 gas thread, made out of nickel-plated brass (absent in the versions with Long Life bearing).

N.B.: In the Long Life version, the greaser is absent and the lubrication channel is protected by a rubber cap.

Support dimensions respect ISO 3228 set of rules.

Maximum shaft alignment error 2,5°

For further information please contact our technical office or sales department.

MATERIALS: Housing is made out of PA + glass fiber in black or white colours; chrome steel or stainless steel bearing; greaser made out of nickel plated brass; reinforcement bushings and washers made out of stainless steel AISI 304; gaskets made out of NBR rubber; cover made out of grey RAL 7042 colour polypropylene.

FEATURES: Full protection of bearing against external agents. Assembly with not shouldered shafts. Maximum shaft alignment error 2.5°.

BOX QUANTITY: 8 pieces.

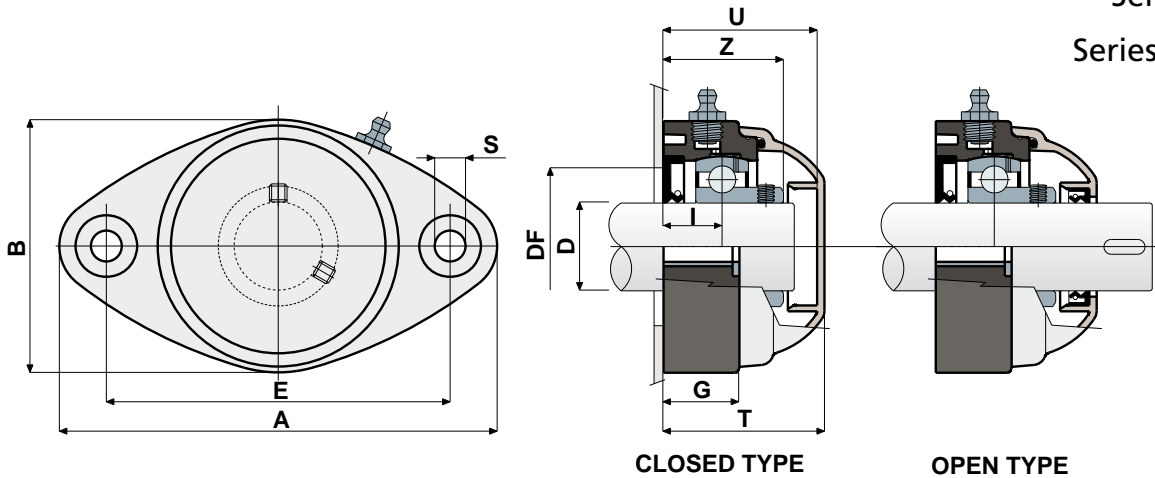
ON REQUEST: Versions with body in polypropylene + glass fiber and antibacterial additive; supports with eccentric collar shaft locking with chrome steel bearing; protection covers in different colours and with customized brand; box quantity according to your request; Viton gaskets.



Oval flanged bearing supports

Technical data

Series **UCFL/C**
Series **MUCFL/C**



CHROME STEEL BEARING																							
D	SERIES	CODES								DIMENSIONS (mm)										Bearing load (N)		Bearing support load	
		Standard bearing				Long Life bearing				E	A	B	S	G	I	Z	U	T	DF		C	C0	(N)
		Black		White		Black		White											Max	Min			
		Closed	Open	Closed	Open	Closed	Open	Closed	Open														
20	UCFL 204 C	80262	80263	84644	84645	83617	83616	89636	89637	90	118	64	10,5	19	15,5	33,8	44	46,5	45	40	12800	6600	8500
20	MUCFL 204 C	82858	82857	84676	84677	89628	89629	89638	89639	90	122	86	10,5	19	16	34,3	44	46,5	45	40	12800	6600	8500
20	MUCFL 204 C	87211	87212	87213	87214	87655	87654	89640	89641	76,5	100	70	10,5	11	15,5	33,8	44	46,5	45	40	12800	6600	8500
25	UCFL 205 C	80067	80071	84646	84647	83614	83615	85388	89642	99	131	72	10,5	22	17,4	36,9	47	49,5	50	45	14000	7800	10000
25	MUCFL 205 C	82860	82859	84678	84679	89630	89631	89643	89644	90	122	86	10,5	19	15,5	35	44	46,5	50	45	14000	7800	10000
30	UCFL 206 C	80068	80072	84648	84649	87209	87210	89645	89646	117	149	86	10,5	26	20	41,7	52,5	55	60	50	19500	11300	13000
30	MUCFL 206 C	82409	82408	84680	84681	88352	88661	89647	89648	90	122	86	10,5	19	13	34	52,5	55	60	50	19500	11300	13000
35	UCFL 207 C	80069	80073	84650	84651	89632	87442	89649	89650	130	163	94	10,5	26	20	43,2	57	59	70	55	25500	15300	14000
35	MUCFL 207 C	84014	83989	84682	84683	89633	89634	89651	89652	117	147	112	10,5	27	20	43,2	57	59	70	55	25500	15300	14000
40	UCFL 208 C	85217	85218	85221	85222	87394	87395	89653	89654	144	172	100	10,5	27	19,5	44,8	65	68	78	65	32500	19800	15000
40	MUCFL 208 C	84015	83990	84684	84685	89635	88873	89655	89656	117	147	112	10,5	27	20	45,2	65	68	78	65	32500	19800	15000

STAINLESS STEEL BEARING AISI 440																							
D	SERIES	CODES								DIMENSIONS (mm)										Bearing load (N)		Bearing support load	
		Standard bearing				Long Life bearing				E	A	B	S	G	I	Z	U	T	DF		C	C0	(N)
		Black		White		Black		White											Max	Min			
		Closed	Open	Closed	Open	Closed	Open	Closed	Open														
20	UCFL 204 C	81062	81063	84652	84653	85527	85528	89671	89672	90	118	64	10,5	19	15,5	33,8	44	46,5	45	40	8300	6600	8500
20	MUCFL 204 C	82870	82869	84686	84687	89657	89658	89673	89674	90	122	86	10,5	19	16	34,3	44	46,5	45	40	8300	6600	8500
20	MUCFL 204 C	87221	87222	87223	87224	89659	89660	89675	89676	76,5	100	70	10,5	11	15,5	33,8	44	46,5	45	40	8300	6600	8500
25	UCFL 205 C	81064	81065	84654	84655	85531	85532	89677	89678	99	131	72	10,5	22	17,4	36,9	47	49,5	50	45	9150	7800	10000
25	MUCFL 205 C	82868	82867	84688	84689	89661	89662	89679	89680	90	122	86	10,5	19	15,5	35	44	46,5	50	45	9150	7800	10000
30	UCFL 206 C	81066	81067	84656	84657	85525	85526	89681	89682	117	149	86	10,5	26	20	41,7	52,5	55	60	50	12500	11200	13000
30	MUCFL 206 C	82767	82766	84690	84691	89663	89664	89683	89684	90	122	86	10,5	19	13	34	52,5	55	60	50	12500	11200	13000
35	UCFL 207 C	81068	81069	84658	84659	86162	86167	89685	89686	130	163	94	10,5	26	20	43,2	57	59	70	55	16600	15300	14000
35	MUCFL 207 C	84017	84018	84692	84693	89665	89666	89687	89688	117	147	112	10,5	27	20	43,2	57	59	70	55	16600	15300	14000
40	UCFL 208 C	85219	85220	85223	85224	89667	89668	89689	89690	144	172	100	10,5	27	19,5	44,8	65	68	78	65	20000	19000	15000
40	MUCFL 208 C	84016	83991	84694	84695	89669	89670	89691	89692	117	147	112	10,5	27	20	45,2	65	68	78	65	20000	19000	15000

VERSIONS WITH MEASURES IN INCHES

CHROME STEEL BEARING																								
D	SERIES	CODES								DIMENSIONS (mm)										Bearing load (N)		Bearing support load		
		Standard bearing				Long Life bearing				E	A	B	S	G	I	Z	U	T	DF		C	C0	(N)	
		Black		White		Black		White											Max	Min				
		Closed	Open	Closed	Open	Closed	Open	Closed	Open															
1"	25,4	UCFL 205 C	84506	84507	84891	84892	89474	89476	89492	89494	90	131	72	10,5	22	17,4	36,9	47	49,5	50	45	14000	7800	10000
1"	25,4	MUCFL 205 C	84515	84539	84979	84980	89478	89481	89693	89694	90	122	86	10,5	19	15,5	35	44	46,5	50	45	14000	7800	10000
1 1/4"	31,75	UCFL 206 C	84508	84509	84893	84894	89483	89485	89695	89696	117	149	86	10,5	26	20	41,7	52,5	55	60	50	19500	11300	13000
1 1/4"	31,75	MUCFL 206 C	84516	84540	84981	84982	89488	89490	89697	89698	90	122	86	10,5	19	13	34	52,5	55	60	50	19500	11300	13000

Inch dimensions conform to the British Imperial system



Oval flanged bearing supports

Series **UCFL/CX**
Series **MUCFL/CX**

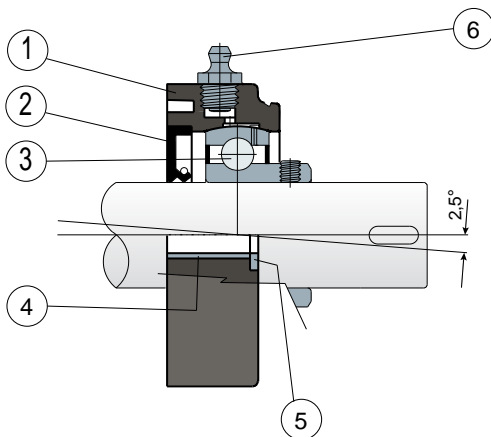


Self-aligning bearings with Solid body: completely closed surface to guarantee the max hygiene.

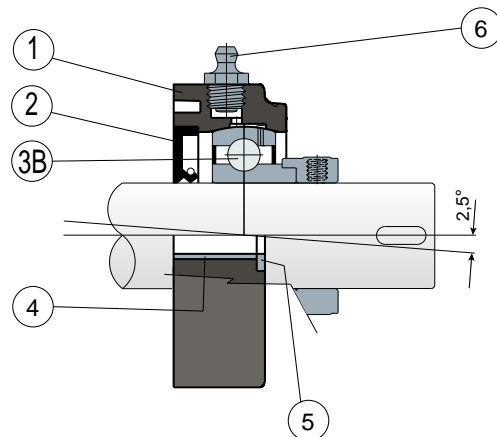


Long Life bearings: life long lubrication.

Grub screws shaft locking - Without protection cover



Eccentric collar shaft locking - Without protection cover



- 1) Housing made out of black, white or blue Ral 5005 colour polyamide reinforced with glass fibers.
- 2) Back gasket made out of NBR rubber for turning shaft seal.
- 3) Chrome steel or stainless steel bearing AISI 440.
- 3B) Chrome steel bearing.
- 4) Spacer for fixing reinforcement made out of stainless steel AISI 304.
- 5) UNI 6592 support washer made out of stainless steel AISI 304.
- 6) Greaser, straight type with 1/8 gas thread, made out of nickel-plated brass (absent in the versions with Long Life bearing).

NOTE: The protection cover can be ordered separately as an accessory; in the Long Life version, the greaser is absent and the lubrication channel is protected by a rubber cap.

Support dimensions respect ISO 3228 set of rules.

Maximum shaft alignment error 2,5°

For further information please contact our technical office or sales department.

MATERIALS: Housing is made out of PA + glass fiber in black, white or blue Ral 5005 colours; bearing with grub screws shaft locking in chrome steel or stainless steel; bearing with eccentric collar shaft locking in chrome steel; greaser made out of nickel plated brass; reinforcement bushings and washers made out of stainless steel AISI 304; gaskets made out of NBR rubber; cover made out of polypropylene grey Ral 7042, blue Ral 5015, orange Ral 2004 or red Ral 3000 colour.

FEATURES: The protection cover can be ordered separately as an accessory. Assembly with not shouldered shafts. Maximum shaft alignment error 2.5°.

BOX QUANTITY: 8 pieces.

ON REQUEST: Versions with body in polypropylene + glass fiber and antibacterial additive; supports in blue polyamide RAL 5005 FDA APPROVED; protection covers in polypropylene blue Ral 5015 FDA APPROVED; protection covers in different colours and with customized brand; box quantity according to your request; Viton gaskets.

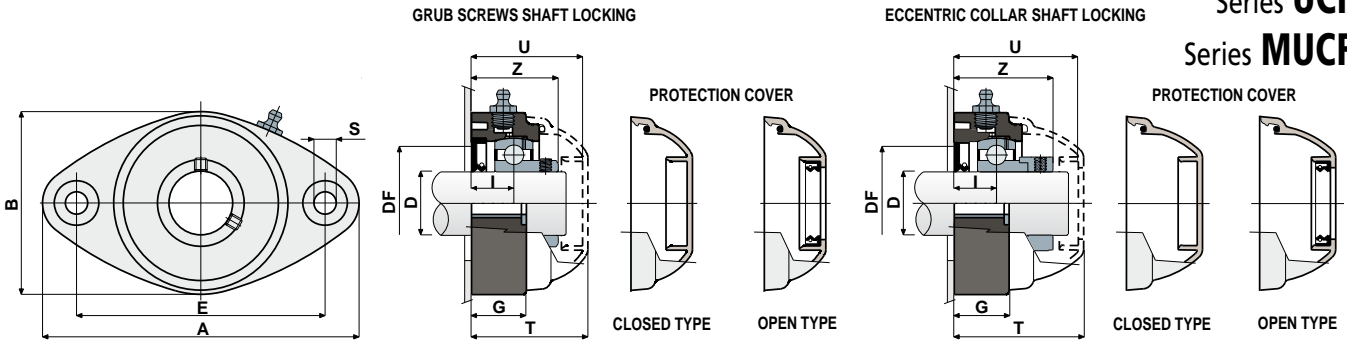


Oval flanged bearing supports

Technical data

Series UCFL/CX

Series MUCFL/CX



GRUB SCREWS SHAFT LOCKING

D	SERIES	CHROME STEEL BEARING													COVER CODES														
		Support CODES						DIMENSIONS (mm)							Bearing load (N)			Bearing support load											
		Standard bearing			Long Life bearing			E	A	B	S	G	I	Z	U	T	DF		C	CO	(N)	GREY RAL 7042		BLUE RAL 5015		ORANGE RAL 2004		RED RAL 3000	
		Black	White	Blue Ral 5005	Black	White	Blue Ral 5005										Max	Min				Closed	Open	Closed	Open	Closed	Open	Closed	Open
20	UCFL 204 CX	80264	84660	87166	89707	89712	89723	90	118	64	10,5	19	15,5	33,8	44	46,5	45	40	12800	6600	8500	80254	80255	87259	83901	82305	82306	87540	87541
20	MUCFL 204 CX	83035	84696	87701	89708	89713	89724	90	122	86	10,5	19	16	34,3	44	46,5	45	40	12800	6600	8500	80254	80255	87259	83901	82305	82306	87540	87541
20	MUCFL 204 CX	87215	87216	87702	89709	89714	89725	76,5	100	70	10,5	11	15,5	33,8	44	46,5	45	40	12800	6600	8500	80254	80255	87259	83901	82305	82306	87540	87541
25	UCFL 205 CX	80181	84661	87167	80483	89715	89726	99	131	72	10,5	22	17	36,9	47	49,5	50	45	14000	7800	10000	80075	80076	85384	85385	82276	82277	87542	87543
25	MUCFL 205 CX	83036	84697	87703	85343	89716	89727	90	122	86	10,5	19	15,5	35	44	46,5	50	45	14000	7800	10000	80075	80076	85384	85385	82276	82277	87542	87543
30	UCFL 206 CX	80182	84662	87433	83908	89718	89728	117	149	86	10,5	26	20	41,7	52,5	55	60	50	19500	11300	13000	80011	80053	84100	80354	82278	82279	87531	87530
30	MUCFL 206 CX	80540	84698	87704	87456	89718	89729	90	122	86	10,5	19	13	34	52,5	55	60	50	19500	11300	13000	82765	82764	87270	87272	87559	87560	87570	87571
35	UCFL 207 CX	80183	84663	87434	89710	89719	89730	130	163	94	10,5	26	20	43,2	57	59	70	55	25500	15300	14000	80077	80078	80969	80275	82284	82285	87544	87545
35	MUCFL 207 CX	83992	84699	87705	89711	89720	89731	117	147	112	10,5	27	20	43,2	57	59	70	55	25500	15300	14000	80077	80078	80969	80275	82284	82285	87544	87545
40	UCFL 208 CX	85225	85227	87435	88720	89721	89732	144	172	100	10,5	27	19,5	44,8	65	68	78	65	32500	19800	15000	80256	80257	83088	86722	82280	82281	87528	82804
40	MUCFL 208 CX	83993	84700	87706	84234	89722	89733	117	147	112	10,5	27	19,5	45,2	65	68	78	65	32500	19800	15000	80256	80257	83088	86722	82280	82281	87528	82804

ECCENTRIC COLLAR SHAFT LOCKING

D	SERIES	CHROME STEEL BEARING													COVER CODES														
		Support CODES						DIMENSIONS (mm)							Bearing load (N)			Bearing support load											
		Standard bearing			Long Life bearing			E	A	B	S	G	I	Z	U	T	DF		C	CO	(N)	GREY RAL 7042							
		Black	White	Blue Ral 5005	Black	White	Blue Ral 5005										Max	Min				Closed	Open						
20	UCFL 204 CX	88488	88497	88508	89734	89745	89756	90	118	64	10,5	19	15,5	39	51	53,5	45	40	12800	6600	8500	88371	88372						
20	MUCFL 204 CX	88489	88498	88509	89735	89746	89757	90	122	86	10,5	19	16	39,5	51	53,5	45	40	12800	6600	8500	88371	88372						
20	MUCFL 204 CX	88490	88499	88510	89736	89747	89758	76,5	100	70	10,5	11	15,5	39	50,9	53,4	45	40	12800	6600	8500	88371	88372						
25	UCFL 205 CX	88491	88500	88511	89737	89748	89759	99	131	72	10,5	22	17,4	40,9	52,9	55,4	50	45	14000	7800	10000	88373	88374						
25	MUCFL 205 CX	88492	88501	88512	89738	89749	89760	90	122	86	10,5	19	15,5	39	50	52,4	50	45	14000	7800	10000	88373	88374						
30	UCFL 206 CX	82490	88502	88513	89739	89750	89761	117	149	86	10,5	26	20	47,4	59,4	61,9	60	50	19500	11300	13000	88375	88376						
30	MUCFL 206 CX	88493	88503	88514	89740	89751	89762	90	122	86	10,5	19	13	39,7	52,5	55	60	50	19500	11300	13000	82765	82764						
35	UCFL 207 CX	84255	88504	88515	89741	89752	89763	130	163	94	10,5	26	20	49,3	61,3	63,8	70	55	25500	15300	14000	88377	88378						
35	MUCFL 207 CX	88494	88505	88516	89742	89753	89764	117	147	112	10,5	27	20	49,3	62	64,4	70	55	25500	15300	14000	88377	88378						
40	UCFL 208 CX	88495	88506	88517	89743	89754	89765	144	172	100	10,5	27	19,5	52,2	65	68	78	65	32500	19800	15000	80256	80257						
40	MUCFL 208 CX	88496	88507	88518	89744	89755	89766	117	147	112	10,5	27	19,5	52,6	65	68	78	65	32500	19800	15000	80256	80257						

GRUB SCREWS SHAFT LOCKING

D	SERIES	STAINLESS STEEL BEARING AISI 440													COVER CODES														
		Support CODES						DIMENSIONS (mm)							Bearing load (N)			Bearing support load											
		Standard bearing			Long Life bearing			E	A	B	S	G	I	Z	U	T	DF		C	CO	(N)	GREY RAL 7042		BLUE RAL 5015		ORANGE RAL 2004		RED RAL 3000	
		Black	White	Blue Ral 5005	Black	White	Blue Ral 5005										Max	Min				Closed	Open	Closed	Open	Closed	Open	Closed	Open
20	UCFL 204 CX	81053	84664	87707	89767	85512	88319	90	118	64	10,5	19	15,5	33,8	44	46,5	45	40	8300	6600	8500	80254	80255	87259	83901	82305	82306	87540	87541
20	MUCFL 204 CX	83045	84701	87708	89768	89776	89784	90	122	86	10,5	19	16	34,3	44	46,5	45	40	8300	6600	8500	80254	80255	87259	83901	82305	82306	87540	87541
20	MUCFL 204 CX	87225	87226	87709	89769	89777	89785	76,5	100	70	10,5	11	15,5	33,8	44	46,5	45	40	8300	6600	8500	80254	80255	87259	83901	82305	82306	87540	87541
25	UCFL 205 CX	81054	84665	87710	85325	85634	89786	99	131	72	10,5	22	17	36,9	47	49,5	50	45	9150	7800	10000	80075	80076	85384	85385	82276	82277	87542	87543
25	MUCFL 205 CX	83046	84702	87711	89770	89778	89787	90	122	86	10,5	19	15,5	35	44	46,5	50	45	9150	7800	10000	80075	80076	85384	85385	82276	82277	87542	87543
30	UCFL 206 CX	81055	84666	87712	88437	85709	89788	117	149	86	10,5	26	20	41,7	52,5	55	60	50	12500	11200	13000	80011	80053	84100	80354	82278	82279	87531	87530
30	MUCFL 206 CX	83047	84703	87713	89771	89779	89789	90	122	86	10,5	19	13	34	52,5	55	60	50	12500	11200	13000	82765	82764	87270	87272	87559	87560	87570	87571
35	UCFL 207 CX	81056	84667	87714	89772	89780	89790	130	163	94	10,5	26	20	43,2	57	59	70	55	16600	15300	14000	80077	80078	80969	80275	82284	82285	87544	87545
35	MUCFL 207 CX	84019	84704	87715	89773	89781	89791	117	147	112	10,5	27	20	43,2	57	59	70	55	16600	15300	14000	80077	80078	80969	80275	82284	82285	87544	87545
40	UCFL 208 CX	85226	85228	87716	89774	89782	89792	144	172	100	10,5	27	19,5	44,8	65	68	78	65	20000	19000	15000	80256	80257	83088	86722	82280	82281	87528	82804
40	MUCFL 208 CX	83994	84705	87717	89775	89783	89793	117	147	112	10,5	27	19,5	45,2	65	68	78	65	20000	19000	15000	80256	80257	83088	86722	82280	82281	87528	82804

GRUB SCREWS SHAFT LOCKING - VERSIONS WITH MEASURES IN INCHES

D	SERIES	CHROME STEEL BEARING													COVER CODES															
		Support CODES						DIMENSIONS (mm)							Bearing load (N)			Bearing support load												
		Standard bearing			Long Life bearing			E	A	B	S	G	I	Z	U	T	DF		C	CO	(N)	GREY RAL 7042		BLUE RAL 5015		ORANGE RAL 2004		RED RAL 3000		
		Black	White	Blue Ral 5005	Black	White	Blue Ral 5005										Max	Min				Closed	Open	Closed	Open	Closed	Open	Closed	Open	
1"	25,4	UCFL 205 CX	84510	84899	87719	89794	89798	89802	99	131	72	10,5	22	17	36,9	47	49,5	50	45	14000	7800	10000	80075	85202	85384	87273	82276	87660	87542	87663
1"	25,4	MUCFL 205 CX	84517	84983	87720	89795	89799	89803	90	122	86	10,5	19	15,5	35	44	46,5	50	45	14000	7800	10000	80075	85202	85384	87273	82276	87660	87542	87663
1 1/4"	31,75	UCFL 206 CX	84511	84900	87721	89796	89800	89804	117	149	86	10,5	26	20	41,7	52,5	55	60	50	19500	11300	13000	80011	85203	84100	87274	82278	87661	87531	87664
1 1/4"	31,75	MUCFL 206 CX	84518	84984	87722	89797	89801	89805	90	122	86	10,5	19	13	34	52,5	55	60												



Oval flanged bearing supports

Series UCFL

Series MUCFL

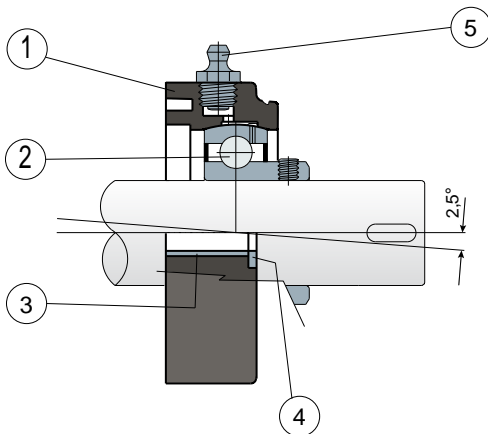


Self-aligning bearings with Solid body: completely closed surface to guarantee the max hygiene.

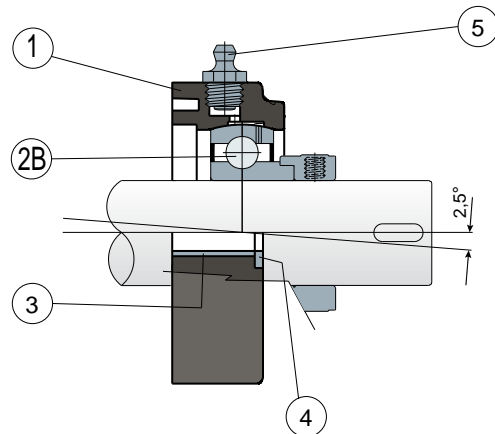


Long Life bearings: life long lubrication.

Grub screws shaft locking - Without cover and back gasket



Eccentric collar shaft locking - Without cover and back gasket



- 1) Housing made out of black, white or blue Ral 5005 colour polyamide reinforced with glass fibers.
- 2) Chrome steel or stainless steel bearing AISI 440.
- 2B) Chrome steel bearing.
- 3) Spacer for fixing reinforcement made out of stainless steel AISI 304.
- 4) UNI 6592 support washer made out of stainless steel AISI 304.
- 5) Greaser, straight type with 1/8 gas thread, made out of nickel-plated brass (absent in the versions with Long Life bearing).

NOTE: The back gasket and the protection cover can be ordered separately as accessories; in the Long Life version, the greaser is absent and the lubrication channel is protected by a rubber cap.

Support dimensions respect ISO 3228 set of rules.
Maximum shaft alignment error 2,5°
For further information please contact our technical office or sales department.

MATERIALS: Housing is made out of PA + glass fiber in black, white or blue Ral 5005 colours; bearing with grub screws shaft locking in chrome steel or stainless steel; bearing with eccentric collar shaft locking in chrome steel; greaser made out of nickel plated brass; reinforcement bushings and washers made out of stainless steel AISI 304; gaskets made out of NBR rubber; cover made out of polypropylene grey Ral 7042, blue Ral 5015, orange Ral 2004 or red Ral 3000 colour.

FEATURES: The back gasket and the protection cover can be ordered separately as accessories. Assembly with shouldered and not shouldered shafts. Maximum shaft alignment error 2.5°.

BOX QUANTITY: 8 pieces.

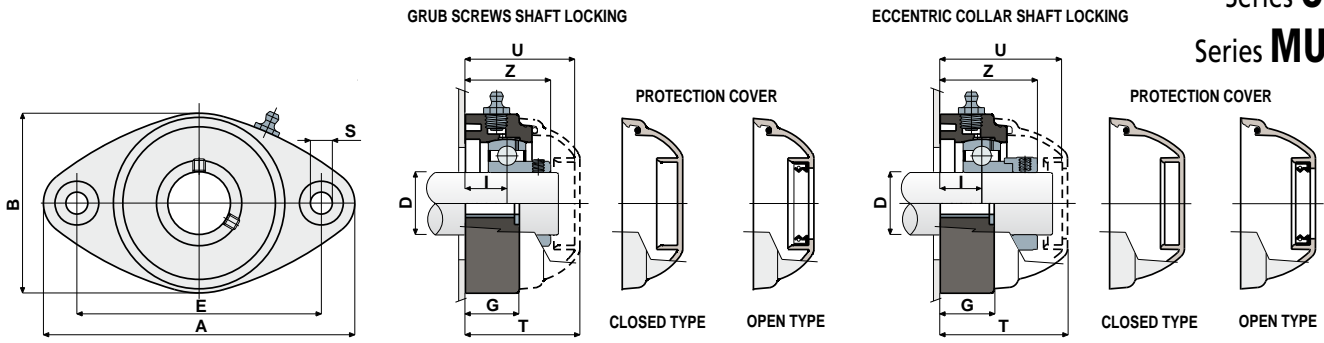
ON REQUEST: Versions with body in polypropylene + glass fiber and antibacterial additive; supports in blue polyamide RAL 5005 FDA APPROVED; protection covers in polypropylene blue Ral 5015 FDA APPROVED; protection covers in different colours and with customized brand; box quantity according to your request; Viton gaskets.



Oval flanged bearing supports

Technical data

Series **UCFL**
Series **MUCFL**



GRUB SCREWS SHAFT LOCKING

D	SERIES	CHROME STEEL BEARING													COVER CODES												
		Support CODES						DIMENSIONS (mm)							Bearing load (N)		Bearing support load		GREY RAL 7042		BLUE RAL 5015		ORANGE RAL 2004		RED RAL 3000		
		Standard bearing			Long Life bearing			E	A	B	S	G	I	Z	U	T	C	CO	(N)	Closed	Open	Closed	Open	Closed	Open	Closed	Open
		Black	White	Blue Ral 5005	Black	White	Blue Ral 5005																				
20	UCFL 204	80265	84668	87723	82987	89851	89862	90	118	64	10,5	19	15,5	33,8	44	46,5	12800	6600	8500	80254	80255	87259	83901	82305	82306	87540	87541
20	MUCFL 204	83037	84706	87724	89846	89852	89863	90	122	86	10,5	19	16	34,3	44	46,5	12800	6600	8500	80254	80255	87259	83901	82305	82306	87540	87541
20	MUCFL 204	87217	87218	87725	89847	89853	89864	76,5	100	70	10,5	11	15,5	33,8	44	46,5	12800	6600	8500	80254	80255	87259	83901	82305	82306	87540	87541
25	UCFL 205	80063	84669	87726	80476	89854	89865	99	131	72	10,5	22	17	36,9	47	49,5	14000	7800	10000	80075	80076	85384	85385	82276	82277	87542	87543
25	MUCFL 205	83038	84707	87727	89848	89855	89866	90	122	86	10,5	19	15,5	35	44	46,5	14000	7800	10000	80075	80076	85384	85385	82276	82277	87542	87543
30	UCFL 206	80064	84670	87728	80480	89856	89867	117	149	86	10,5	26	20	41,7	52,5	55	19500	11300	13000	80011	80053	84100	80354	82278	82279	87531	87530
30	MUCFL 206	80542	84708	87729	89849	89857	89868	90	122	86	10,5	19	13	34	52,5	55	19500	11300	13000	82765	82764	87270	87272	87559	87560	87570	87571
35	UCFL 207	80065	84671	87730	80481	89858	89869	130	163	94	10,5	26	20	43,2	57	59	25500	15300	14000	80077	80078	80969	80275	82284	82285	87544	87545
35	MUCFL 207	83995	84709	87731	89850	89859	89870	117	147	112	10,5	27	20	43,2	57	59	25500	15300	14000	80077	80078	80969	80275	82284	82285	87544	87545
40	UCFL 208	85229	85231	87732	86083	89860	89871	144	172	100	10,5	27	19,5	44,8	65	68	32500	19800	15000	80256	80257	83088	86722	82280	82281	87528	87528
40	MUCFL 208	83996	84710	87733	84107	89861	89872	117	147	112	10,5	27	19,5	45,2	65	68	32500	19800	15000	80256	80257	83088	86722	82280	82281	87528	82804

ECCENTRIC COLLAR SHAFT LOCKING

D	SERIES	CHROME STEEL BEARING													COVER CODES									
		Support CODES						DIMENSIONS (mm)							Bearing load (N)		Bearing support load		GREY RAL 7042					
		Standard bearing			Long Life bearing			E	A	B	S	G	I	Z	U	T	C	CO	(N)	Closed	Open			
		Black	White	Blue Ral 5005	Black	White	Blue Ral 5005																	
20	UCFL 204	88519	88529	88540	89873	89884	89895	90	118	64	10,5	19	15,5	39	51	53,5	12800	6600	8500	88371	88372			
20	MUCFL 204	88520	88530	88541	89874	89885	89896	90	122	86	10,5	19	16	39,5	51	53,5	12800	6600	8500	88371	88372			
20	MUCFL 204	88521	88531	88542	89875	89886	89897	76,5	100	70	10,5	11	15,5	39	50,9	53,4	12800	6600	8500	88371	88372			
25	UCFL 205	88522	88532	88543	89876	89887	89898	99	131	72	10,5	22	17,4	40,9	52,9	55,4	14000	7800	10000	88373	88374			
25	MUCFL 205	88523	88533	88544	89877	89888	89899	90	122	86	10,5	19	15,5	39	50	52,4	14000	7800	10000	88373	88374			
30	UCFL 206	83985	88534	88545	89878	89889	89900	117	149	86	10,5	26	20	47,4	59,4	61,9	19500	11300	13000	88375	88376			
30	MUCFL 206	88524	88535	88546	89879	89890	89901	90	122	86	10,5	19	13	39,7	52,5	55	19500	11300	13000	82765	82764			
35	UCFL 207	88525	88536	88547	89880	89891	89902	130	163	94	10,5	26	20	49,3	61,3	63,8	25500	15300	14000	88377	88378			
35	MUCFL 207	88526	88537	88548	89881	89892	89903	117	147	112	10,5	27	20	49,3	62	64,4	25500	15300	14000	88377	88378			
40	UCFL 208	88527	88538	88549	89882	89893	89904	144	172	100	10,5	27	19,5	52,2	65	68	32500	19800	15000	80256	80257			
40	MUCFL 208	88528	88539	88550	89883	89894	89905	117	147	112	10,5	27	19,5	52,6	65	68	32500	19800	15000	80256	80257			

GRUB SCREWS SHAFT LOCKING

D	SERIES	STAINLESS STEEL BEARING AISI 440													COVER CODES												
		Support CODES						DIMENSIONS (mm)							Bearing load (N)		Bearing support load		GREY RAL 7042		BLUE RAL 5015		ORANGE RAL 2004		RED RAL 3000		
		Standard bearing			Long Life bearing			E	A	B	S	G	I	Z	U	T	C	CO	(N)	Closed	Open	Closed	Open	Closed	Open	Closed	Open
		Black	White	Blue Ral 5005	Black	White	Blue Ral 5005																				
20	UCFL 204	80519	84672	87734	82029	89913	89924	90	118	64	10,5	19	15,5	33,8	44	46,5	8300	6600	8500	80254	80255	87259	83901	82305	82306	87540	87541
20	MUCFL 204	83048	84711	87735	89906	89914	89925	90	122	86	10,5	19	16	34,3	44	46,5	8300	6600	8500	80254	80255	87259	83901	82305	82306	87540	87541
20	MUCFL 204	87227	87228	87736	89907	89915	89926	76,5	100	70	10,5	11	15,5	33,8	44	46,5	8300	6600	8500	80254	80255	87259	83901	82305	82306	87540	87541
25	UCFL 205	80520	84673	87737	82030	89916	89927	99	131	72	10,5	22	17	36,9	47	49,5	9150	7800	10000	80075	80076	85384	85385	82276	82277	87542	87543
25	MUCFL 205	83049	84712	87738	89908	89917	89928	90	122	86	10,5	19	15,5	35	44	46,5	9150	7800	10000	80075	80076	85384	85385	82276	82277	87542	87543
30	UCFL 206	80521	84674	87739	82031	89918	89929	117	149	86	10,5	26	20	41,7	52,5	55	12500	11200	13000	80011	80053	84100	80354	82278	82279	87531	87530
30	MUCFL 206	83050	84713	87740	89909	89919	89930	90	122	86	10,5	19	13	34	52,5	55	12500	11200	13000	82765	82764	87270	87272	87559	87560	87570	87571
35	UCFL 207	80522	84675	87741	80315	89920	89931	130	163	94	10,5	26	20	43,2	57	59	16600	15300	14000	80077	80078	80969	80275	82284	82285	87544	87545
35	MUCFL 207	84020	84714	87742	89910	89921	89932	117	147	112	10,5	27	20	43,2	57	59	16600	15300	14000	80077	80078	80969	80275	82284	82285	87544	87545
40	UCFL 208	85230	85232	87743	89911	89922	89933	144	172	100	10,5	27	19,5	44,8	65	68	20000	19000	15000	80256	80257	83088	86722	82280	82281	87528	82804
40	MUCFL 208	83997	84715	87744	89912	89923	89934	117	147	112	10,5	27	19,5	45,2	65	68	20000	19000	15000	80256	80257	83088	86722	82280	82281	87528	82804

GRUB SCREWS SHAFT LOCKING - VERSIONS WITH MEASURES IN INCHES

D	(inches)	(mm)	SERIES	CHROME STEEL BEARING													COVER CODES												
				Support CODES						DIMENSIONS (mm)							Bearing load (N)		Bearing support load		GREY RAL 7042		BLUE RAL 5015		ORANGE RAL 2004		RED RAL 3000		
				Standard bearing			Long Life bearing			E	A	B	S	G	I	Z	U	T	C	CO	(N)	Closed	Open	Closed	Open	Closed	Open	Closed	Open
				Black	White	Blue Ral 5005	Black	White	Blue Ral 5005																				
1"	25,4	UCFL 205	84513	84903	87745	89935	89939	89943	99	131	72	10,5	22	17	36,9	47	49,5	14000	7800	10000	80075	85202	85384	87273	82276	87660	87542	87663	
1"	25,4	MUCFL 205	84519	84985	87746	89936	89940	89944	90	122	86	10,5	19	15,5	35	44	46,5	14000	7800	10000	80075	85202	85384	87273	82276	87660	87542	87663	
1 1/4"	31,75	UCFL 206	84514	84904	87747	89937	89941	89945	117	149	86	10,5	26	20	41,7	52,5	55	19500	11300	13000	80011	85203	84100	87274	82278	87661	87531	87664	
1 1/4"	31,75	MUCFL 206	84520	84986	87748	89938	89942	89946	90	122	86	10,5	19	13	34	52,5	55	19500	11300	13000	82765	85206	87270	87276	87559	87666	87570	87667	

Inch dimensions conform to the British Imperial system



Oval flanged bearing supports

Series **UCFL/CS**
Series **MUCFL/CS**

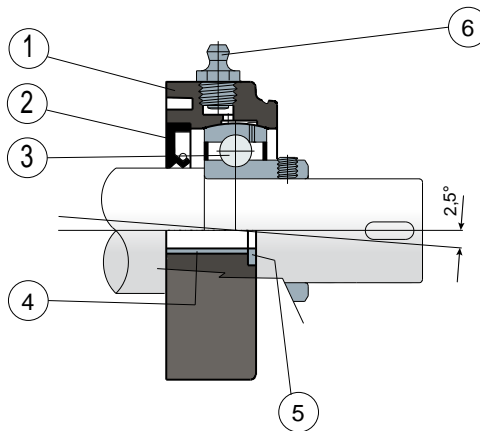


Self-aligning bearings with Solid body: completely closed surface to guarantee the max hygiene.



Long Life bearings: life long lubrication.

Back gasket for shouldered shaft



- 1) Housing made out of black, white or blue Ral 5005 colour polyamide reinforced with glass fibers.
- 2) Back gasket made out of NBR rubber for turning shaft seal.
- 3) Chrome steel or stainless steel bearing AISI 440.
- 4) Spacer for fixing reinforcement made out of stainless steel AISI 304.
- 5) UNI 6592 support washer made out of stainless steel AISI 304.
- 6) Greaser, straight type with 1/8 gas thread, made out of nickel-plated brass (absent in the versions with Long Life bearing).

N.B.: The protection cover can be ordered separately as an accessory; in the Long Life version, the greaser is absent and the lubrication channel is protected by a rubber cap.

Support dimensions respect ISO 3228 set of rules.

Maximum shaft alignment error 2,5°

For further information please contact our technical office or sales department.

MATERIALS: Housing is made out of PA + glass fiber in black, white or blue Ral 5005 colours; chrome steel or stainless steel bearing; greaser made out of nickel plated brass; reinforcement bushings and washers made out of stainless steel AISI 304; gaskets made out of NBR rubber; cover made out of polypropylene grey Ral 7042, blue Ral 5015, orange Ral 2004 or red Ral 3000 colour.

FEATURES: Back gasket for shouldered shafts; the protection cover can be ordered separately as an accessory. Use of shouldered shafts allows a higher capability of axial load. Maximum shaft alignment error 2.5°.

BOX QUANTITY: 8 pieces.

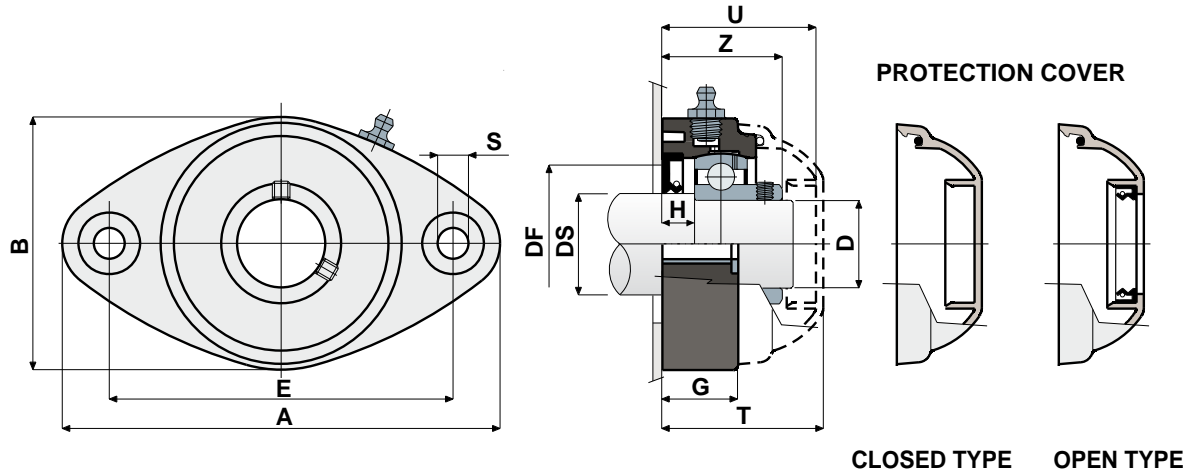
ON REQUEST: Versions with body in polypropylene + glass fiber and antibacterial additive; supports in blue polyamide RAL 5005 FDA APPROVED; protection covers in polypropylene blue Ral 5015 FDA APPROVED; protection covers in different colours and with customized brand; box quantity according to your request; Viton gaskets.



Oval flanged bearing supports

Technical data

Series **UCFL/CS**
Series **MUCFL/CS**



CHROME STEEL BEARING																	COVER CODES															
DS	D	SERIES	Support CODES						DIMENSIONS (mm)								Bearing load (N)	Bearing support load (N)	COVER CODES													
			Standard bearing			Long Life bearing			E	A	B	S	G	H	Z	U			T	DF		C	CO	(N)	GREY RAL 7042		BLUE RAL 5015		ORANGE RAL 2004		RED RAL 3000	
			Black	White	Blue Ral.5005	Black	White	Blue Ral.5005												Max	Min				Closed	Open	Closed	Open	Closed	Open	Closed	Open
25	20	UCFL 204 CS	80266	85264	89245	89947	89952	89958	90	118	64	10,5	19	8,5	33,8	44	46,5	45	40	12800	6600	8500	80254	80255	87259	83901	82305	82306	87540	87541		
25	20	MUCFL 204 CS	87219	87220	89247	89948	89953	89959	76,5	100	70	10,5	11	8,5	33,8	44	46,5	45	40	12800	6600	8500	80254	80255	87259	83901	82305	82306	87540	87541		
30	25	UCFL 205 CS	80184	85265	89249	86082	89954	89960	99	131	72	10,5	22	10	36,9	47	49,5	50	45	14000	7800	10000	80075	80076	85384	85385	82276	82277	87542	87543		
35	30	UCFL 206 CS	80185	85266	89250	89949	89955	89961	117	149	86	10,5	26	11,5	41,7	52,5	55	60	50	19500	11300	13000	80011	80053	84100	80354	82278	82279	87531	87530		
40	35	UCFL 207 CS	80186	85267	89251	89950	89956	89962	130	163	94	10,5	26	10,5	43,2	57	59	70	55	25500	15300	14000	80077	80078	80969	80275	82284	82285	87544	87545		
45	40	UCFL 208 CS	85233	86004	89252	89951	89957	89963	144	172	100	10,5	27	8,5	44,8	65	68	78	65	32500	19800	15000	80256	80257	83088	86722	82280	82281	87528	82804		

STAINLESS STEEL BEARING AISI 440																	COVER CODES															
DS	D	SERIES	Support CODES						DIMENSIONS (mm)								Bearing load (N)	Bearing support load (N)	COVER CODES													
			Standard bearing			Long Life bearing			E	A	B	S	G	H	Z	U			T	DF		C	CO	(N)	GREY RAL 7042		BLUE RAL 5015		ORANGE RAL 2004		RED RAL 3000	
			Black	White	Blue Ral.5005	Black	White	Blue Ral.5005												Max	Min				Closed	Open	Closed	Open	Closed	Open	Closed	Open
25	20	UCFL 204 CS	84148	85268	89253	87599	89969	89975	90	118	64	10,5	19	8,5	33,8	44	46,5	45	40	8300	6600	8500	80254	80255	87259	83901	82305	82306	87540	87541		
25	20	MUCFL 204 CS	87229	87230	89254	89964	89970	89976	76,5	100	70	10,5	11	8,5	33,8	44	46,5	45	40	8300	6600	8500	80254	80255	87259	83901	82305	82306	87540	87541		
30	25	UCFL 205 CS	83907	85269	89255	89965	89971	89977	99	131	72	10,5	22	10	36,9	47	49,5	50	45	9150	7800	10000	80075	80076	85384	85385	82276	82277	87542	87543		
35	30	UCFL 206 CS	80523	85270	89256	89966	89972	89978	117	149	86	10,5	26	11,5	41,7	52,5	55	60	50	12500	11200	13000	80011	80053	84100	80354	82278	82279	87531	87530		
40	35	UCFL 207 CS	84150	85271	89257	89967	89973	89979	130	163	94	10,5	26	10,5	43,2	57	59	70	55	16600	15300	14000	80077	80078	80969	80275	82284	82285	87544	87545		
45	40	UCFL 208 CS	85234	86005	89258	89968	89974	89980	144	172	100	10,5	27	8,5	44,8	65	68	78	65	20000	19000	15000	80256	80257	83088	86722	82280	82281	87528	82804		



Oval flanged bearing supports (Solid)

Series **UCFL/CX**
Series **MUCFL/CX**

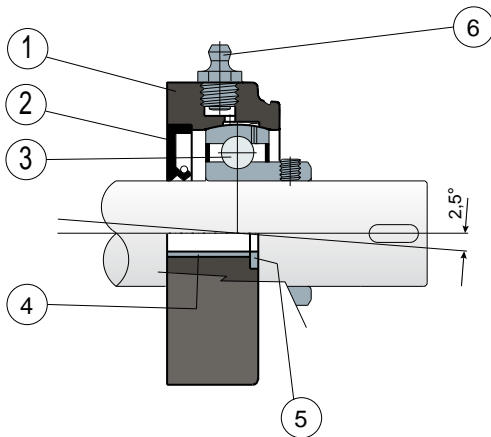


Self-aligning bearings with Solid body: completely closed surface to guarantee the max hygiene.

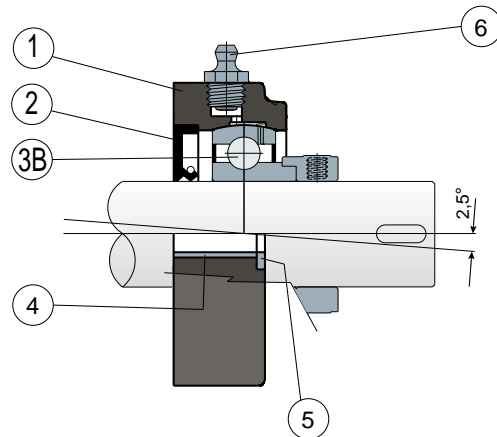


Long Life bearings: life long lubrication.

Grub screws shaft locking - Without protection cover



Eccentric collar shaft locking - Without protection cover



- 1) Housing made out of blue Ral 5005 colour polyamide reinforced with glass fibers.
- 2) Back gasket made out of NBR rubber for turning shaft seal.
- 3) Chrome steel or stainless steel bearing AISI 440.
- 3B) Chrome steel bearing.
- 4) Spacer for fixing reinforcement made out of stainless steel AISI 304.
- 5) UNI 6592 support washer made out of stainless steel AISI 304.
- 6) Greaser, straight type with 1/8 gas thread, made out of nickel-plated brass (absent in the versions with Long Life bearing).

NOTE: The protection cover can be ordered separately as an accessory; in the Long Life version, the greaser is absent and the lubrication channel is protected by a rubber cap.

Support dimensions respect ISO 3228 set of rules.

Maximum shaft alignment error 2,5°

For further information please contact our technical office or sales department.

MATERIALS: Housing is made out of PA + glass fiber in blue Ral 5005 colour; bearing with grub screws shaft locking in chrome steel or stainless steel; bearing with eccentric collar shaft locking in chrome steel; greaser made out of nickel plated brass; reinforcement bushings and washers made out of stainless steel AISI 304; gaskets made out of NBR rubber; cover made out of polypropylene grey Ral 7042, blue Ral 5015, orange Ral 2004 or red Ral 3000 colour.

FEATURES: The protection cover can be ordered separately as an accessory. This part is moulded without internal cavities in order to obtain the best sanitation. Assembly with not shouldered shafts. Maximum shaft alignment error 2.5°.

BOX QUANTITY: 8 pieces.

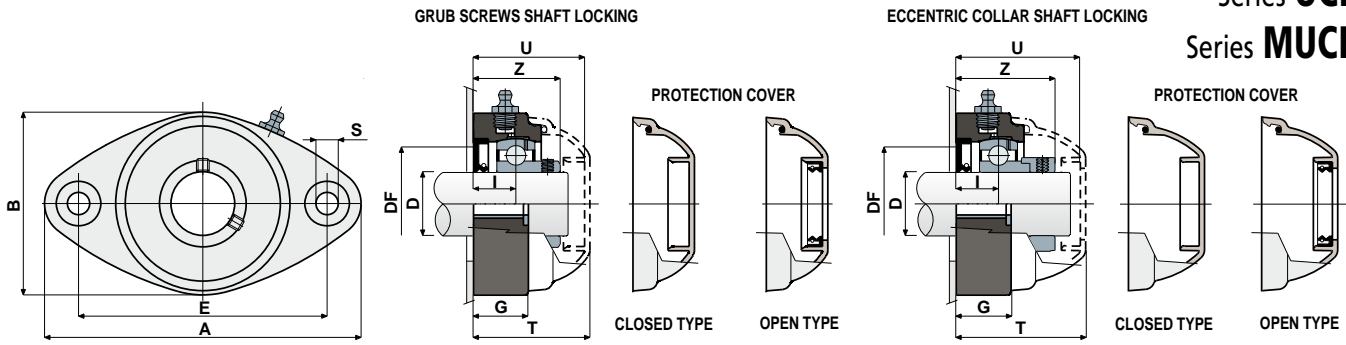
ON REQUEST: Versions with body in polypropylene + glass fiber and antibacterial additive; housing in black colour polyamide reinforced with glass fibers; supports in blue polyamide RAL 5005 FDA APPROVED; protection covers in polypropylene blue Ral 5015 FDA APPROVED; protection covers in different colours and with customized brand; box quantity according to your request; Viton gaskets; available without NBR rubber back gasket for turning shaft seal.














Oval flanged bearing supports (Solid)

Technical data












Series UCFL/CX
Series MUCFL/CX














GRUB SCREWS SHAFT LOCKING

D	SERIES	CHROME STEEL BEARING											COVER CODES																		
		Support CODES		DIMENSIONS (mm)									Bearing load (N)			GREY RAL 7042				BLUE RAL 5015				ORANGE RAL 2004				RED RAL 3000			
		Standard bearing	Long Life bearing	E	A	B	S	G	I	Z	U	T	DF		C	CO	(N)	Closed		Open		Closed		Open		Closed		Open			
													Max	Min				Open	Closed	Open	Closed	Open	Closed	Open							
20	UCFL 204 CX 	89180	89806	90	118	64	10,5	19	15,5	33,8	44	46,5	45	40	12800	6600	8500	80254	80255	87259	83901	82305	82306	87540	87541	87541	87541	87541	87541		
20	MUCFL 204 CX 	89181	89807	90	122	86	10,5	19	16	34,3	44	46,5	45	40	12800	6600	8500	80254	80255	87259	83901	82305	82306	87540	87541	87541	87541	87541	87541		
20	MUCFL 204 CX 	87702	89725	76,5	100	70	10,5	11	15,5	33,8	44	46,5	45	40	12800	6600	8500	80254	80255	87259	83901	82305	82306	87540	87541	87541	87541	87541	87541		
25	UCFL 205 CX 	89182	89808	99	131	72	10,5	22	17	36,9	47	49,5	50	45	14000	7800	10000	80075	80076	85384	85385	82276	82277	87542	87543	87543	87543	87543	87543		
25	MUCFL 205 CX 	89183	89809	90	122	86	10,5	19	15,5	35	44	46,5	50	45	14000	7800	10000	80075	80076	85384	85385	82276	82277	87542	87543	87543	87543	87543	87543		
30	UCFL 206 CX 	89184	89810	117	149	86	10,5	26	20	41,7	52,5	55	60	50	19500	11300	13000	80011	80053	84100	80354	82278	82279	87531	87530	87530	87530	87530	87530		
30	MUCFL 206 CX 	89185	89811	90	122	86	10,5	19	13	34	52,5	55	60	50	19500	11300	13000	82765	82764	87270	87272	87559	87560	87570	87571	87571	87571	87571	87571		
35	UCFL 207 CX 	89186	89812	130	163	94	10,5	26	20	43,2	57	59	70	55	25500	15300	14000	80077	80078	80969	80275	82284	82285	87544	87545	87545	87545	87545	87545		
35	MUCFL 207 CX 	89187	89813	117	147	112	10,5	27	20	43,2	57	59	70	55	25500	15300	14000	80077	80078	80969	80275	82284	82285	87544	87545	87545	87545	87545	87545		
40	UCFL 208 CX 	89188	89814	144	172	100	10,5	27	19,5	44,8	65	68	78	65	32500	19800	15000	80256	80257	83088	86722	82280	82281	87528	82804	82804	82804	82804	82804		
40	MUCFL 208 CX 	89189	89815	117	147	112	10,5	27	19,5	45,2	65	68	78	65	32500	19800	15000	80256	80257	83088	86722	82280	82281	87528	82804	82804	82804	82804	82804		

ECCENTRIC COLLAR SHAFT LOCKING

D	SERIES	CHROME STEEL BEARING											COVER CODES								
		Support CODES		DIMENSIONS (mm)									Bearing load (N)			GREY RAL 7042					
		Standard bearing	Long Life bearing	E	A	B	S	G	I	Z	U	T	DF		C	CO	(N)	Closed		Open	
													Max	Min				Open	Closed	Open	Closed
20	UCFL 204 CX 	89190	89816	90	118	64	10,5	19	15,5	39	51	53,5	45	40	12800	6600	8500	88371	88372	88371	88372
20	MUCFL 204 CX 	89191	89817	90	122	86	10,5	19	16	39,5	51	53,5	45	40	12800	6600	8500	88371	88372	88371	88372
20	MUCFL 204 CX 	88510	89758	76,5	100	70	10,5	11	15,5	39	50,9	53,4	45	40	12800	6600	8500	88371	88372	88371	88372
25	UCFL 205 CX 	89192	89818	99	131	72	10,5	22	17,4	40,9	52,9	55,4	50	45	14000	7800	10000	88373	88374	88373	88374
25	MUCFL 205 CX 	89193	89819	90	122	86	10,5	19	15,5	39	50	52,4	50	45	14000	7800	10000	88373	88374	88373	88374
30	UCFL 206 CX 	89194	89820	117	149	86	10,5	26	20	47,4	59,4	61,9	60	50	19500	11300	13000	88375	88376	88375	88376
30	MUCFL 206 CX 	89195	89821	90	122	86	10,5	19	13	39,7	52,5	55	60	50	19500	11300	13000	82765	82764	82765	82764
35	UCFL 207 CX 	89196	89822	130	163	94	10,5	26	20	49,3	61,3	63,8	70	55	25500	15300	14000	88377	88378	88377	88378
35	MUCFL 207 CX 	89197	89823	117	147	112	10,5	27	20	49,3	62	64,4	70	55	25500	15300	14000	88377	88378	88377	88378
40	UCFL 208 CX 	89198	89824	144	172	100	10,5	27	19,5	52,2	65	68	78	65	32500	19800	15000	80256	80257	80256	80257
40	MUCFL 208 CX 	89199	89825	117	147	112	10,5	27	19,5	52,6	65	68	78	65	32500	19800	15000	80256	80257	80256	80257

GRUB SCREWS SHAFT LOCKING

D	SERIES	STAINLESS STEEL BEARING AISI 440											COVER CODES																		
		Support CODES		DIMENSIONS (mm)									Bearing load (N)			GREY RAL 7042				BLUE RAL 5015				ORANGE RAL 2004				RED RAL 3000			
		Standard bearing	Long Life bearing	E	A	B	S	G	I	Z	U	T	DF		C	CO	(N)	Closed		Open		Closed		Open		Closed		Open			
													Max	Min				Open	Closed	Open	Closed	Open	Closed	Open							
20	UCFL 204 CX 	89200	89826	90	118	64	10,5	19	15,5	33,8	44	46,5	45	40	8300	6600	8500	80254	80255	87259	83901	82305	82306	87540	87541	87541	87541	87541			
20	MUCFL 204 CX 	89201	89827	90	122	86	10,5	19	16	34,3	44	46,5	45	40	8300	6600	8500	80254	80255	87259	83901	82305	82306	87540	87541	87541	87541	87541			
20	MUCFL 204 CX 	87709	89785	76,5	100	70	10,5	11	15,5	33,8	44	46,5	45	40	8300	6600	8500	80254	80255	87259	83901	82305	82306	87540	87541	87541	87541	87541			
25	UCFL 205 CX 	89202	89828	99	131	72	10,5	22	17	36,9	47	49,5	50	45	9150	7800	10000	80075	80076	85384	85385	82276	82277	87542	87543	87543	87543	87543			
25	MUCFL 205 CX 	89203	89829	90	122	86	10,5	19	15,5	35	44	46,5	50	45	9150	7800	10000	80075	80076	85384	85385	82276	82277	87542	87543	87543	87543	87543			
30	UCFL 206 CX 	89204	89830	117	149	86	10,5	26	20	41,7	52,5	55	60	50	12500	11200	13000	80011	80053	84100	80354	82278	82279	87531	87530	87530	87530	87530			
30	MUCFL 206 CX 	89205	89831	90	122	86	10,5	19	13	34	52,5	55	60	50	12500	11200	13000	82765	82764	87270	87272	87559	87560	87570	87571	87571	87571				
35	UCFL 207 CX 	89206	89832	130	163	94	10,5	26	20	43,2	57	59	70	55	16600	15300	14000	80077	80078	80969	80275	82284	82285	87544	87545	87545	87545	87545			
35	MUCFL 207 CX 	89207	89833	117	147	112	10,5	27	20	43,2	57	59	70	55	16600	15300	14000	80077	80078	80969	80275	82284	82285	87544	87545	87545	87545	87545			
40	UCFL 208 CX 	89208	89834	144	172	100	10,5	27	19,5	44,8	65	68	78	65	20000	19000	15000	80256	80257	83088	86722	82280	82281	87528	82804	82804	82804	82804			
40	MUCFL 208 CX 	89209	89835	117	147	112	10,5	27	19,5	45,2	65	68	78	65	20000	19000	15000	80256	80257	83088	86722	82280	82281	87528	82804	82804	82804	82804			

GRUB SCREWS SHAFT LOCKING - VERSIONS WITH MEASURES IN INCHES

D	SERIES	CHROME STEEL BEARING											COVER CODES																		
		Support CODES		DIMENSIONS (mm)									Bearing load (N)			GREY RAL 7042				BLUE RAL 5015				ORANGE RAL 2004				RED RAL 3000			
		Standard bearing	Long Life bearing	E	A	B	S	G	I	Z	U	T	DF		C	CO	(N)	Closed		Open		Closed		Open		Closed		Open			
													Max																		



Oval flanged bearing supports (Solid)

Series **UCFL/C**



On request covers in polypropylene blue Ral 5015 colour.



On request covers in polypropylene grey Ral 7042 colour.



On request covers in polypropylene red Ral 3000 colour.

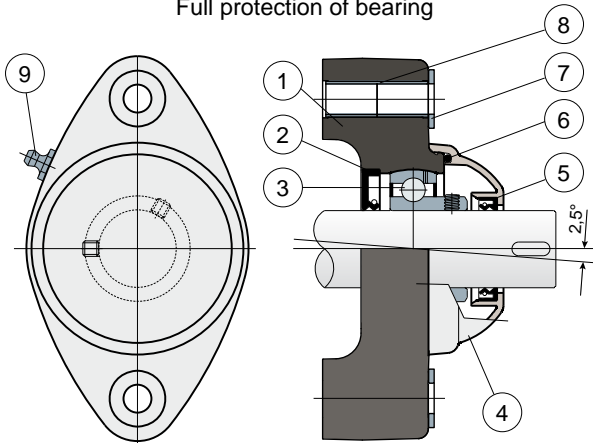


Self-aligning bearings with Solid body: completely closed surface to guarantee the max hygiene.



Long Life bearings: life long lubrication.

Full protection of bearing



- 1) Housing made out of blue Ral 5005 colour polyamide reinforced with glass fibers.
- 2) Back gasket made out of NBR rubber for turning shaft seal.
- 3) Chrome steel or stainless steel bearing AISI 440.
- 4) Protection cover made out of polypropylene (orange Ral 2004 colour).
- 5) Front gasket made out of NBR rubber for turning shaft seal.
- 6) OR gasket made out of NBR rubber.
- 7) UNI 6592 support washer made out of stainless steel AISI 304.
- 8) Spacer for fixing reinforcement made out of stainless steel AISI 304.
- 9) Greaser, straight type with 1/8 gas thread, made out of stainless steel AISI 303 (absent in the versions with Long Life bearing).

N.B.: In the Long Life version, the greaser is absent and the lubrication channel is protected by a rubber cap.

Support dimensions respect ISO 3228 set of rules
 Maximum shaft alignment error 2,5°
 For further information please contact our technical office or sales department.

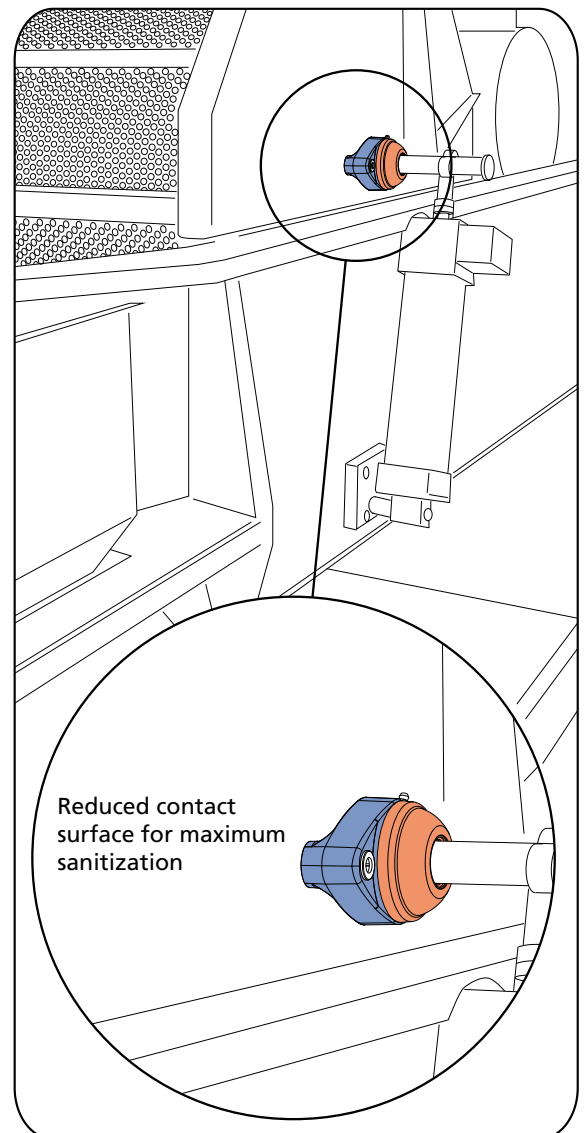
MATERIALS: Support made out of blue Ral 5005 colour PA + glass fiber; chrome steel or stainless steel bearing; greaser made out of stainless steel; reinforcement bushings and washers made out of stainless steel AISI 304; gaskets made out of NBR rubber; cover made out of orange Ral 2004 colour polypropylene.

FEATURES: Full protection of bearing against external agents. Assembly with not shouldered shafts. The reduced contact surface of the base of the support allows maximum sanification. Maximum shaft alignment error 2.5°.

BOX QUANTITY: 8 pieces.

ON REQUEST: Versions with body in polypropylene + glass fiber and antibacterial additive; supports in blue polyamide RAL 5005 FDA APPROVED; supports with eccentric collar shaft locking with chrome steel bearing; protection covers in different colours and with customized brand; box quantity according to your request; Viton gaskets.

Example of application

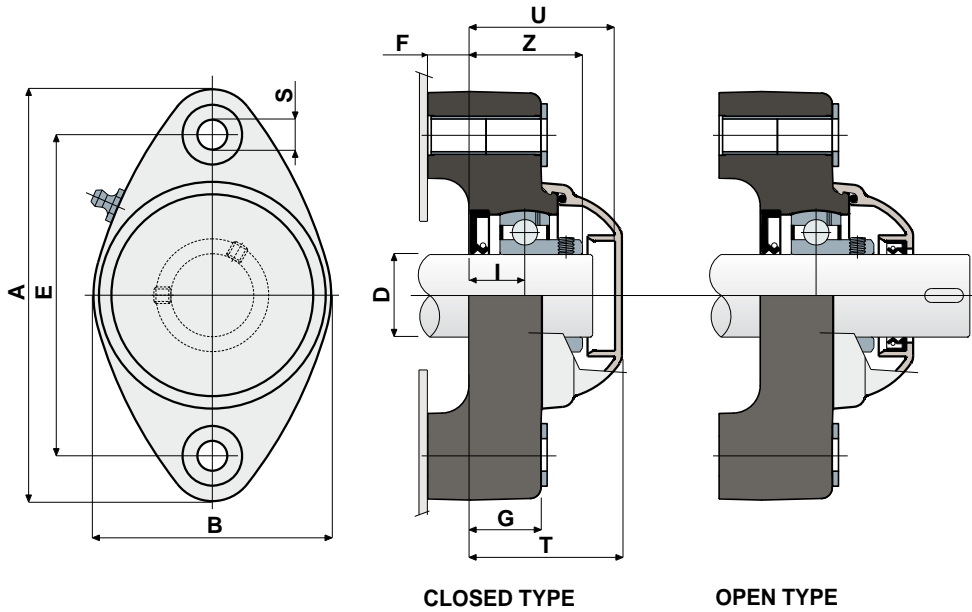




Oval flanged bearing supports (Solid)

Technical data

Series **UCFL/C**



D		SERIES		CHROME STEEL BEARING														Bearing load (N)		Bearing support load
				CODES				DIMENSIONS (mm)												
				Standard bearing		Long Life bearing		E	A	B	S	F	G	I	Z	U	T	C	C0	(N)
				Blue Ral 5005																
		Closed	Open	Closed	Open															
20	UCFL 204 C	90708	90709	90720	90721	90	118	64	10,5	15	19,2	15,5	33,8	44	46,5	12800	6600	8500		
25	UCFL 205 C	88633	88635	89699	89700	99	131	72	10,5	15	22	17,4	36,9	47	49,5	14000	7800	10000		
30	UCFL 206 C	87425	87426	89701	89702	117	149	86	10,5	15	26	20	41	52,5	55	19500	11300	13000		
35	UCFL 207 C	90710	90711	90722	90723	130	163	94	10,5	15	26,3	20	43,2	56,5	59	25500	15300	14000		
40	UCFL 208 C	90712	90713	90724	90725	144	172	100	10,5	15	26,3	19,5	44,8	65	68	32500	19800	15000		

D		SERIES		STAINLESS STEEL BEARING AISI 440														Bearing load (N)		Bearing support load
				CODES				DIMENSIONS (mm)												
				Standard bearing		Long Life bearing		E	A	B	S	F	G	I	Z	U	T	C	C0	(N)
				Blue Ral 5005																
		Closed	Open	Closed	Open															
20	UCFL 204 C	90714	90715	90726	90727	90	118	64	10,5	15	19,2	15,5	33,8	44	46,5	8300	6600	8500		
25	UCFL 205 C	88634	88636	89703	89704	99	131	72	10,5	15	22	17,4	36,9	47	49,5	9150	7800	10000		
30	UCFL 206 C	87749	87750	89705	89706	117	149	86	10,5	15	26	20	41	52,5	55	12500	11200	13000		
35	UCFL 207 C	90716	90717	90728	90729	130	163	94	10,5	15	26,3	20	43,2	56,5	59	16600	15300	14000		
40	UCFL 208 C	90718	90719	90730	90731	144	172	100	10,5	15	26,3	19,5	44,8	65	68	20000	19000	15000		

VERSIONS WITH MEASURES IN INCHES

D		SERIES		CHROME STEEL BEARING														Bearing load (N)		Bearing support load
				CODES				DIMENSIONS (mm)												
				Standard bearing		Long Life bearing		E	A	B	S	F	G	I	Z	U	T	C	C0	(N)
				Blue Ral 5005																
(inches)	(mm)	Closed	Open	Closed	Open															
NEW 1"	25,4	UCFL 205 C	91196	91197	91208	91209	99	131	72	10,5	15	22	17,4	36,9	47	49,5	14000	7800	10000	
NEW 1 1/4"	31,75	UCFL 206 C	91198	91199	91210	91211	117	149	86	10,5	15	26	20	41	52,5	55	19500	11300	13000	

Inch dimensions conform to the British Imperial system



Oval flanged bearing supports (Solid)

Series **UCFL/CX**

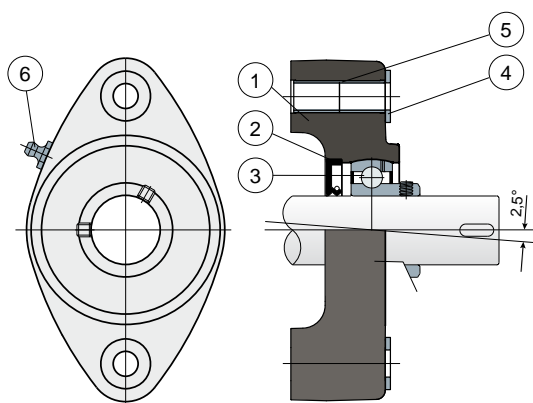


Self-aligning bearings with Solid body: completely closed surface to guarantee the max hygiene.

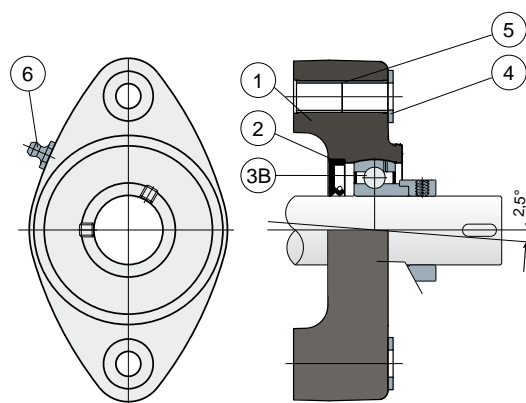


Long Life bearings: life long lubrication.

Grub screws shaft locking - Without protection cover



Eccentric collar shaft locking - Without protection cover



- 1) Housing made out of blue Ral 5005 colour polyamide reinforced with glass fibers.
- 2) Back gasket made out of NBR rubber for turning shaft seal.
- 3) Chrome steel or stainless steel bearing AISI 440.
- 3B) Chrome steel bearing.
- 4) UNI 6592 support washer made out of stainless steel AISI 304.
- 5) Spacer for fixing reinforcement made out of stainless steel AISI 304.
- 6) Greaser, straight type with 1/8 gas thread, made out of stainless steel AISI 303 (absent in the versions with Long Life bearing).

NOTE: The protection cover can be ordered separately as an accessory; in the Long Life version, the greaser is absent and the lubrication channel is protected by a rubber cap.

Support dimensions respect ISO 3228 set of rules.

Maximum shaft alignment error 2,5°

For further information please contact our technical office or sales department.

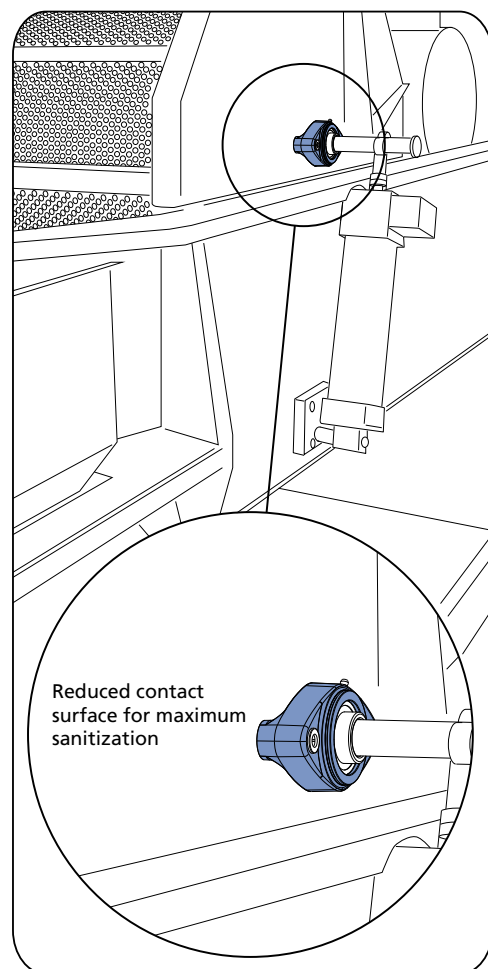
MATERIALS: Support made out of blue Ral 5005 colour PA + glass fiber; bearing with grub screws shaft locking in chrome steel or stainless steel; bearing with eccentric collar shaft locking in chrome steel; greaser made out of stainless steel; reinforcement bushings and washers made out of stainless steel AISI 304; gaskets made out of NBR rubber; cover made out of polypropylene grey Ral 7042, blue Ral 5015, orange Ral 2004, red Ral 3000 colour.

FEATURES: The protection cover can be ordered separately as an accessory. Assembly with not shouldered shafts. The reduced contact surface of the base of the support allows maximum sanitation. Maximum shaft alignment error 2.5°.

BOX QUANTITY: 8 pieces.

ON REQUEST: Versions with body in polypropylene + glass fiber and antibacterial additive; supports in blue polyamide RAL 5005 FDA APPROVED; protection covers in polypropylene blue Ral 5015 FDA APPROVED; protection covers in different colours and with customized brand; box quantity according to your request; Viton gaskets; available without NBR rubber back gasket for turning shaft seal.

Example of application



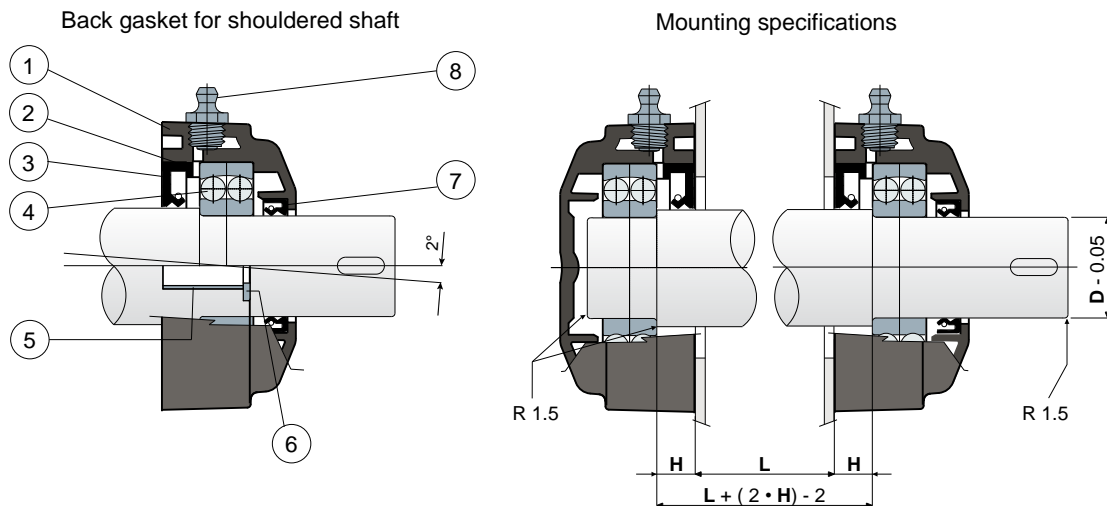


Oval flanged bearing supports

Series **FL**



The bearing cover integrated into the body of the support guarantees maximum sanitation



- 1) Housing made out of black or white colour polyamide reinforced with glass fibers.
- 2) Intermediate bearing ring spacer made out of black colour polyamide reinforced with glass fibers.
- 3) Back gasket made out of NBR rubber for turning shaft seal.
- 4) Chrome steel bearing type 1200 supplied without lubricant.
- 5) Spacer for fixing reinforcement made out of stainless steel AISI 304.
- 6) UNI 6592 support washer made out of stainless steel AISI 304.
- 7) Front gasket made out of NBR rubber for turning shaft seal.
- 8) Greaser, straight type with 1/8 gas thread, made out of nickel-plated brass.

Support dimensions respect ISO 3228 set of rules

Maximum shaft alignment error 2°

For further information please contact our technical office or sales department.

MATERIALS: Housing is made out of PA + glass fiber in black or white colours; Intermediate bearing ring spacer made out of black colour PA + glass fiber; chrome steel bearing; greaser made out of nickel plated brass; reinforcement bushings and washers made out of stainless steel AISI 304; gaskets made out of NBR rubber.

FEATURES: Back gasket for shouldered shafts. Use of shouldered shafts allows a higher capability of axial load. Maximum shaft alignment error 2°.

BOX QUANTITY: 8 pieces.

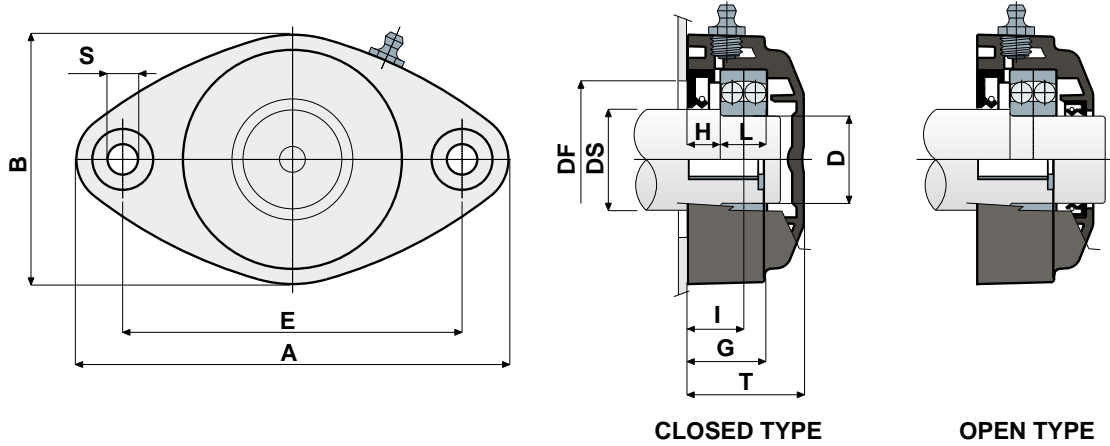
ON REQUEST: Versions with body in polypropylene + glass fiber and antibacterial additive; box quantity according to your request; Viton gaskets.



Oval flanged bearing supports

Technical data

Series **FL**



CHROME STEEL BEARING																				
DS	D	SERIES	CODES				DIMENSIONS (mm)										Bearing load (N)		Bearing support load	
			Black		White		E	A	B	S	G	H	I	L	T	DF		C	C0	(N)
			Closed	Open	Closed	Open										Max	Min			
NEW 25	20	FL 1204	91023	91024	91025	91026	90	118	64	10,5	19	11	18	14	35,5	45	40	12700	3400	11500
30	25	FL 1205	87493	87499	87494	87500	99	131	72	10,5	22	11	18,8	15	36,5	50	47	14300	4000	12650
35	30	FL 1206	87505	87511	87506	87512	117	149	86	10,5	26	11	19,3	16	40	60	52	15600	4650	12650
NEW 40	35	FL 1207	91027	91028	91029	91030	130	163	94	10,5	26	11	19,5	17	40,7	70	60	19000	6000	12650



Side flanged bearing supports

Series **UCFB/C**



On request covers in polypropylene blue Ral 5015 colour.



On request covers in polypropylene orange Ral 2004 colour.

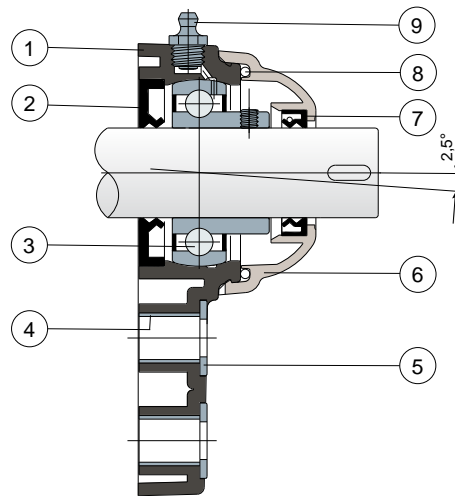


On request covers in polypropylene red Ral 3000 colour.



Long Life bearings: life long lubrication.

Full protection of bearing



- 1) Housing made out of black or white colour polyamide reinforced with glass fibers.
- 2) Back gasket made out of NBR rubber for turning shaft seal.
- 3) Chrome steel or stainless steel bearing AISI 440.
- 4) Spacer for fixing reinforcement made out of stainless steel AISI 304.
- 5) UNI 6592 support washer made out of stainless steel AISI 304.
- 6) Protection cover made out of polypropylene (grey colour Ral 7042).
- 7) Front gasket made out of NBR rubber for turning shaft seal.
- 8) OR gasket made out of NBR rubber
- 9) Greaser, straight type with 1/8 gas thread, made out of nickel-plated brass (absent in the versions with Long Life bearing).

N.B.: In the Long Life version, the greaser is absent and the lubrication channel is protected by a rubber cap.

Maximum shaft alignment error 2,5°

For further information please contact our technical office or sales department.

MATERIALS: Housing is made out of PA + glass fiber in black or white colours; chrome steel or stainless steel bearing, greaser made out of nickel plated brass; reinforcement bushings and washers made out of stainless steel AISI 304; gaskets made out of NBR rubber; cover made out of grey RAL 7042 colour polypropylene.

FEATURES: Full protection of bearing against external agents. Assembly with not shouldered shafts. Maximum shaft alignment error 2.5°.

BOX QUANTITY: 8 pieces.

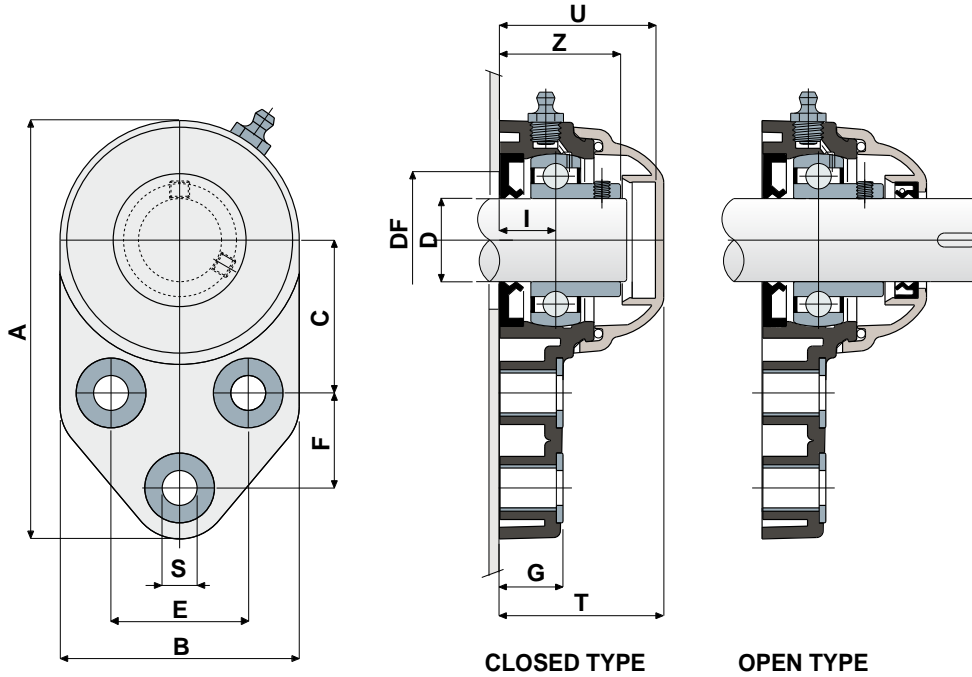
ON REQUEST: Versions with body in polypropylene + glass fiber and antibacterial additive; supports with eccentric collar shaft locking with chrome steel bearing; protection covers in different colours and with customized brand; box quantity according to your request; Viton gaskets.



Side flanged bearing supports

Technical data

Series **UCFB/C**



CHROME STEEL BEARING																									
D	SERIES	CODES								DIMENSIONS (mm)												Bearing load (N)		Bearing support load	
		Standard bearing				Long Life bearing				E	A	B	C	F	S	G	I	Z	U	T	DF		C	CO	(N)
		Black		White		Black		White													Max	Min			
		Closed	Open	Closed	Open	Closed	Open	Closed	Open																
20	UCFB 204 C	82862	82861	84718	84719	87423	87422	89993	89998	41,3	126	72	46	28,6	10,5	19	18	36,3	47	49,5	45	40	12800	6600	8500
25	UCFB 205 C	82771	82770	84720	84721	89992	88668	89994	89999	41,3	126	72	46	28,6	10,5	19	17	36,5	47	49,5	50	45	14000	7800	9000
30	UCFB 206 C	84048	84049	84722	84723	87112	87113	89995	90000	47,6	142	85	52,4	32	10,5	26,3	20,7	41,7	53,2	55,7	60	50	19500	11300	11000
35	UCFB 207 C	84050	84051	84724	84725	87431	87432	89996	90001	51	155	94	60,5	32	10,5	26,3	20	43,2	56,5	59	70	55	25500	15300	13000
40	UCFB 208 C	83031	83033	84726	84727	87429	87430	89997	90002	50	165	100	60,5	41	10,5	26,3	19,5	44,8	65	68	78	65	32500	19800	18000

STAINLESS STEEL BEARING AISI 440																									
D	SERIES	CODES								DIMENSIONS (mm)												Bearing load (N)		Bearing support load	
		Standard bearing				Long Life bearing				E	A	B	C	F	S	G	I	Z	U	T	DF		C	CO	(N)
		Black		White		Black		White													Max	Min			
		Closed	Open	Closed	Open	Closed	Open	Closed	Open																
20	UCFB 204 C	82866	82865	84728	84729	85644	85834	90007	90011	41,3	126	72	46	28,6	10,5	19	18	36,3	47	49,5	45	40	8300	6600	8500
25	UCFB 205 C	82775	82774	84730	84731	85200	85568	90008	90012	41,3	126	72	46	28,6	10,5	19	17	36,5	47	49,5	50	45	9150	7800	9000
30	UCFB 206 C	84052	84053	84732	84733	85836	85837	85838	85839	47,6	142	85	52,4	32	10,5	26,3	20,7	41,7	53,2	55,7	60	50	12500	11200	11000
35	UCFB 207 C	84054	84055	84734	84735	90003	90005	90009	90013	51	155	94	60,5	32	10,5	26,3	20	43,2	56,5	59	70	55	16600	15300	13000
40	UCFB 208 C	83040	83027	84736	84737	90004	90006	90010	90014	50	165	100	60,5	41	10,5	26,3	19,5	44,8	65	68	78	65	20000	19000	18000

VERSIONS WITH MEASURES IN INCHES

CHROME STEEL BEARING																										
D	SERIES	CODES								DIMENSIONS (mm)												Bearing load (N)		Bearing support load		
		Standard bearing				Long Life bearing				E	A	B	C	F	S	G	I	Z	U	T	DF		C	CO	(N)	
		Black		White		Black		White													Max	Min				
		Closed	Open	Closed	Open	Closed	Open	Closed	Open																	
1"	25,4	UCFB 205 C	84523	84524	84907	84908	90015	90017	90019	90021	41,3	126	72	46	28,6	10,5	19	17	36,5	47	49,5	50	45	14000	7800	9000
1 1/4"	31,75	UCFB 206 C	84525	84526	84909	84910	90016	90018	90020	90022	47,6	142	85	52,4	32	10,5	26,3	20,7	41,7	53,2	55,7	60	50	19500	11300	11000

Inch dimensions conform to the British Imperial system



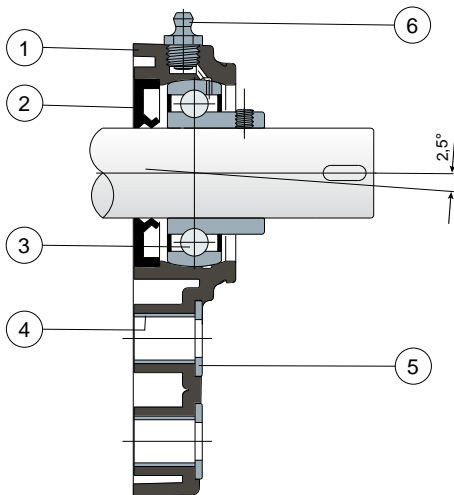
Side flanged bearing supports

Series **UCFB/CX**

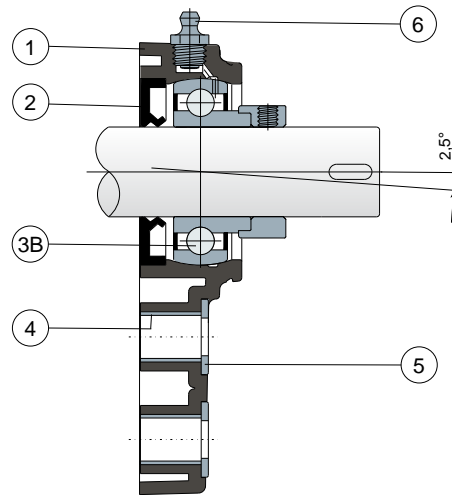


Long Life bearings: life long lubrication.

Grub screws shaft locking - Without protection cover



Eccentric collar shaft locking - Without protection cover



- 1) Housing made out of black or white colour polyamide reinforced with glass fibers.
- 2) Back gasket made out of NBR rubber for turning shaft seal.
- 3) Chrome steel or stainless steel bearing AISI 440.
- 3B) Chrome steel bearing.
- 4) Spacer for fixing reinforcement made out of stainless steel AISI 304.
- 5) UNI 6592 support washer made out of stainless steel AISI 304.
- 6) Greaser, straight type with 1/8 gas thread, made out of nickel-plated brass (absent in the versions with Long Life bearing).

NOTE: The protection cover can be ordered separately as an accessory; in the Long Life version, the greaser is absent and the lubrication channel is protected by a rubber cap.

Maximum shaft alignment error 2,5°

For further information please contact our technical office or sales department.

MATERIALS: Housing is made out of PA + glass fiber in black or white colours; bearing with grub screws shaft locking in chrome steel or stainless steel; bearing with eccentric collar shaft locking in chrome steel; greaser made out of nickel plated brass; reinforcement bushings and washers made out of stainless steel AISI 304; gaskets made out of NBR rubber; cover made out of polypropylene grey Ral 7042, blue Ral 5015, orange Ral 2004 or red Ral 3000 colour.

FEATURES: The protection cover can be ordered separately as an accessory. Assembly with not shouldered shafts. Maximum shaft alignment error 2.5°.

BOX QUANTITY: 8 pieces.

ON REQUEST: Versions with body in polypropylene + glass fiber and antibacterial additive; protection covers in different colours and with customized brand; protection covers in polypropylene blue Ral 5015 FDA APPROVED; box quantity according to your request; Viton gaskets.



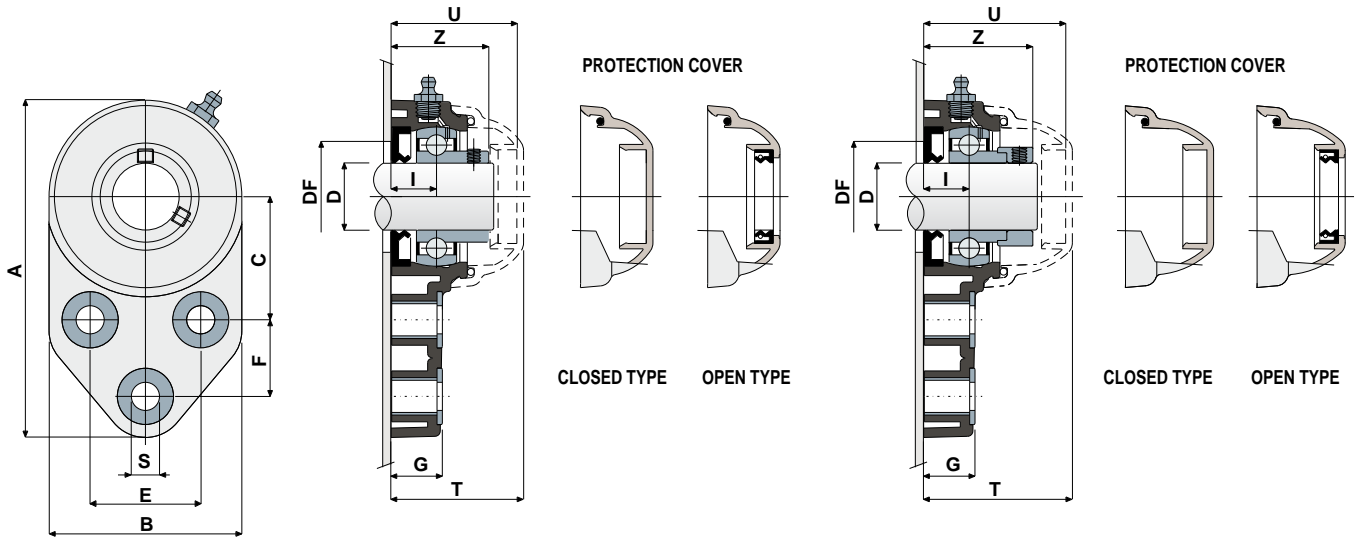
Side flanged bearing supports

Technical data

Series **UCFB/CX**

GRUB SCREWS SHAFT LOCKING

ECCENTRIC COLLAR SHAFT LOCKING



GRUB SCREWS SHAFT LOCKING

D	SERIES	CHROME STEEL BEARING														COVER CODES															
		Support CODES				DIMENSIONS (mm)										Bearing load (N)			Bearing support load			GREY RAL 7042				BLUE RAL 5015		ORANGE RAL 2004		RED RAL 3000	
		Standard bearing		Long Life bearing		E	A	B	C	F	S	G	I	Z	U	T	DF		C	CO	(N)	Closed	Open	Closed	Open	Closed	Open	Closed	Open		
		Black	White	Black	White												Max	Min													
20	UCFB 204 CX	83023	84738	84145	85332	41,3	126	72	46	28,6	10,5	19	18	36,3	47	49,5	45	40	12800	6600	8500	80254	80255	87259	83901	82305	82306	87540	87541		
25	UCFB 205 CX	82772	84739	83899	90023	41,3	126	72	46	28,6	10,5	19	17	36,5	47	49,5	50	45	14000	7800	9000	80075	80076	85384	85385	82276	82277	87542	87543		
30	UCFB 206 CX	84056	84740	87450	90024	47,6	142	85	52,4	32	10,5	26,3	20,7	41,7	53,2	55,7	60	50	19500	11300	11000	80011	80053	84100	80354	82278	82279	87531	87530		
35	UCFB 207 CX	84057	84741	88348	90025	51	155	94	60,5	32	10,5	26,3	20	43,2	56,5	59	70	55	25500	15300	13000	80077	80078	80969	80275	82284	82285	87544	87545		
40	UCFB 208 CX	82478	84742	82479	90026	50	165	100	60,5	41	10,5	26,3	19,5	44,8	65	68	78	65	32500	19800	18000	80256	80257	83088	86722	82280	82281	87528	82804		

ECCENTRIC COLLAR SHAFT LOCKING

D	SERIES	CHROME STEEL BEARING														COVER CODES								
		Support CODES				DIMENSIONS (mm)										Bearing load (N)			Bearing support load		GREY RAL 7042			
		Standard bearing		Long Life bearing		E	A	B	C	F	S	G	I	Z	U	T	DF		C	CO	(N)	Closed	Open	
		Black	White	Black	White												Max	Min						
20	UCFB 204 CX	88555	88559	90027	90031	41,3	126	72	46	28,6	10,5	19	18	41,5	54	56,5	45	40	12800	6600	8500	88371	88372	
25	UCFB 205 CX	88556	88560	90028	90032	41,3	126	72	46	28,6	10,5	19	17	40,5	52,9	55,4	50	45	14000	7800	9000	88373	88374	
30	UCFB 206 CX	88557	88561	90029	90033	47,6	142	85	52,4	32	10,5	26,3	20,7	47,4	59,4	61,9	60	50	19500	11300	11000	88375	88376	
35	UCFB 207 CX	88558	88562	90030	90034	51	155	94	60,5	32	10,5	26,3	20	49,3	61,3	63,8	70	55	25500	15300	13000	88377	88378	
40	UCFB 208 CX	88332	88563	87596	90035	50	165	100	60,5	41	10,5	26,3	19,5	52,2	65	68	78	65	32500	19800	18000	80256	80257	

GRUB SCREWS SHAFT LOCKING

D	SERIES	STAINLESS STEEL BEARING AISI 440														COVER CODES															
		Support CODES				DIMENSIONS (mm)										Bearing load (N)			Bearing support load			GREY RAL 7042				BLUE RAL 5015		ORANGE RAL 2004		RED RAL 3000	
		Standard bearing		Long Life bearing		E	A	B	C	F	S	G	I	Z	U	T	DF		C	CO	(N)	Closed	Open	Closed	Open	Closed	Open	Closed	Open		
		Black	White	Black	White												Max	Min													
20	UCFB 204 CX	83039	84743	90036	85710	41,3	126	72	46	28,6	10,5	19	18	36,3	47	49,5	45	40	8300	6600	8500	80254	80255	87259	83901	82305	82306	87540	87541		
25	UCFB 205 CX	82776	84744	90037	85386	41,3	126	72	46	28,6	10,5	19	17	36,5	47	49,5	50	45	9150	7800	9000	80075	80076	85384	85385	82276	82277	87542	87543		
30	UCFB 206 CX	84058	84745	85835	85711	47,6	142	85	52,4	32	10,5	26,3	20,7	41,7	53,2	55,7	60	50	12500	11200	11000	80011	80053	84100	80354	82278	82279	87531	87530		
35	UCFB 207 CX	84059	84746	87584	89141	51	155	94	60,5	32	10,5	26,3	20	43,2	56,5	59	70	55	16600	15300	13000	80077	80078	80969	80275	82284	82285	87544	87545		
40	UCFB 208 CX	83041	84747	90038	90039	50	165	100	60,5	41	10,5	26,3	19,5	44,8	65	68	78	65	20000	19000	18000	80256	80257	83088	86722	82280	82281	87528	82804		

GRUB SCREWS SHAFT LOCKING - VERSIONS WITH MEASURES IN INCHES

D	SERIES	CHROME STEEL BEARING														COVER CODES															
		Support CODES				DIMENSIONS (mm)										Bearing load (N)			Bearing support load			GREY RAL 7042				BLUE RAL 5015		ORANGE RAL 2004		RED RAL 3000	
		Standard bearing		Long Life bearing		E	A	B	C	F	S	G	I	Z	U	T	DF		C	CO	(N)	Closed	Open	Closed	Open	Closed	Open	Closed	Open		
		Black	White	Black	White												Max	Min													
1"	UCFB 205 CX	84527	84915	90040	90042	41,3	126	72	46	28,6	10,5	19	17	36,5	47	49,5	50	45	14000	7800	9000	80075	85202	85384	87273	82276	87660	87542	87663		
1 1/4"	UCFB 206 CX	84528	84916	90041	90043	47,6	142	85	52,4	32	10,5	26,3	20,7	41,7	53,2	55,7	60	50	19500	11300	11000	80011	85203	84100	87274	82278	87661	87531	87664		

Inch dimensions conform to the British Imperial system



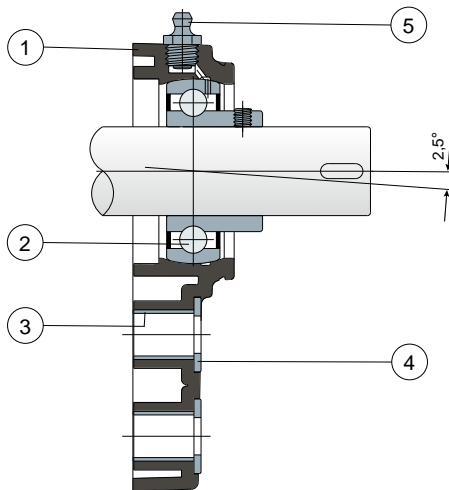
Side flanged bearing supports

Series **UCFB**

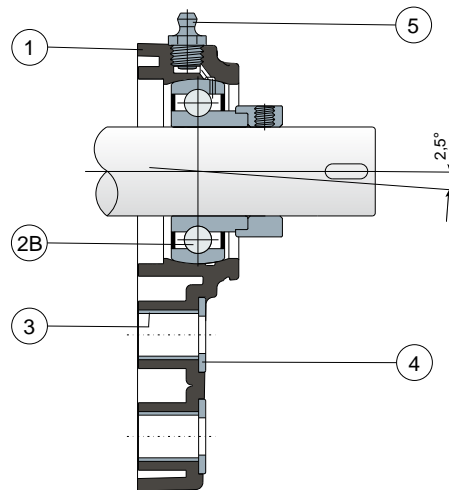


Long Life bearings: life long lubrication.

Grub screws shaft locking - Without cover and back gasket



Eccentric collar shaft locking - Without cover and back gasket



- 1) Housing made out of black or white colour polyamide reinforced with glass fibers.
- 2) Chrome steel or stainless steel bearing AISI 440.
- 2B) Chrome steel bearing.
- 3) Spacer for fixing reinforcement made out of stainless steel AISI 304.
- 4) UNI 6592 support washer made out of stainless steel AISI 304.
- 5) Greaser, straight type with 1/8 gas thread, made out of nickel-plated brass (absent in the versions with Long Life bearing).

NOTE: The back gasket and the protection cover can be ordered separately as accessories; in the Long Life version, the greaser is absent and the lubrication channel is protected by a rubber cap.

Support dimensions respect ISO 3228 set of rules.

Maximum shaft alignment error 2,5°

For further information please contact our technical office or sales department.

MATERIALS: Housing is made out of PA + glass fiber in black or white colours; bearing with grub screws shaft locking in chrome steel or stainless steel; bearing with eccentric collar shaft locking in chrome steel; greaser made out of nickel plated brass; reinforcement bushings and washers made out of stainless steel AISI 304; gaskets made out of NBR rubber; cover made out of polypropylene grey Ral 7042, blue Ral 5015, orange Ral 2004 or red Ral 3000 colour.

FEATURES: The back gasket and the protection cover can be ordered separately as accessories. Assembly with shouldered and not shouldered shafts. Maximum shaft alignment error 2.5°.

BOX QUANTITY: 8 pieces.

ON REQUEST: Versions with body in polypropylene + glass fiber and antibacterial additive; protection covers in different colours and with customized brand; protection covers in polypropylene blue Ral 5015 FDA APPROVED; box quantity according to your request; Viton gaskets.



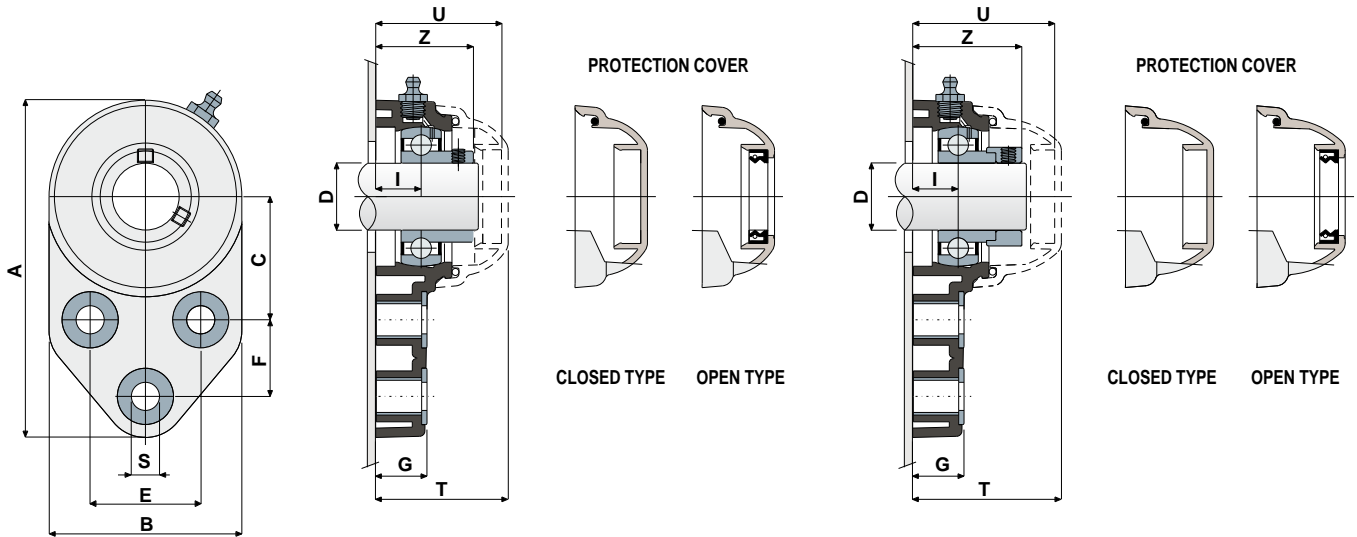
Side flanged bearing supports

Technical data

Series **UCFB**

GRUB SCREWS SHAFT LOCKING

ECCENTRIC COLLAR SHAFT LOCKING



GRUB SCREWS SHAFT LOCKING

D	SERIES	CHROME STEEL BEARING														COVER CODES											
		Support CODES				DIMENSIONS (mm)										Bearing load (N)		Bearing support load		GREY RAL 7042		BLUE RAL 5015		ORANGE RAL 2004		RED RAL 3000	
		Standard bearing		Long Life bearing		E	A	B	C	F	S	G	I	Z	U	T	C	CO	(N)		Closed	Open	Closed	Open	Closed	Open	Closed
20	UCFB 204	83025	84748	87601	90064	41,3	126	72	46	28,6	10,5	19	18	36,3	47	49,5	12800	6600	8500	80254	80255	87259	83901	82305	82306	87540	87541
25	UCFB 205	82773	84749	90061	90065	41,3	126	72	46	28,6	10,5	19	17	36,5	47	49,5	14000	7800	9000	80075	80076	85384	85385	82276	82277	87542	87543
30	UCFB 206	84060	84750	88335	90066	47,6	142	85	52,4	32	10,5	26,3	20,7	41,7	53,2	55,7	19500	11300	11000	80011	80053	84100	80354	82278	82279	87531	87530
35	UCFB 207	84061	84751	90062	90067	51	155	94	60,5	32	10,5	26,3	20	43,2	56,5	59	25500	15300	13000	80077	80078	80969	80275	82284	82285	87544	87545
40	UCFB 208	83029	84752	90063	90068	50	165	100	60,5	41	10,5	26,3	19,5	44,8	65	68	32500	19800	18000	80256	80257	83088	86722	82280	82281	87528	82804

ECCENTRIC COLLAR SHAFT LOCKING

D	SERIES	CHROME STEEL BEARING														COVER CODES					
		Support CODES				DIMENSIONS (mm)										Bearing load (N)		Bearing support load		GREY RAL 7042	
		Standard bearing		Long Life bearing		E	A	B	C	F	S	G	I	Z	U	T	C	CO	(N)		Closed
20	UCFB 204	88564	88569	90069	90074	41,3	126	72	46	28,6	10,5	19	18	41,5	54	56,5	12800	6600	8500	88371	88372
25	UCFB 205	88565	88570	90070	90075	41,3	126	72	46	28,6	10,5	19	17	40,5	52,9	55,4	14000	7800	9000	88373	88374
30	UCFB 206	88566	88571	90071	90076	47,6	142	85	52,4	32	10,5	26,3	20,7	47,4	59,4	61,9	19500	11300	11000	88375	88376
35	UCFB 207	88567	88572	90072	90077	51	155	94	60,5	32	10,5	26,3	20	49,3	61,3	63,8	25500	15300	13000	88377	88378
40	UCFB 208	88568	88573	90073	90078	50	165	100	60,5	41	10,5	26,3	19,5	52,2	65	68	32500	19800	18000	80256	80257

GRUB SCREWS SHAFT LOCKING

D	SERIES	STAINLESS STEEL BEARING AISI 440														COVER CODES											
		Support CODES				DIMENSIONS (mm)										Bearing load (N)		Bearing support load		GREY RAL 7042		BLUE RAL 5015		ORANGE RAL 2004		RED RAL 3000	
		Standard bearing		Long Life bearing		E	A	B	C	F	S	G	I	Z	U	T	C	CO	(N)		Closed	Open	Closed	Open	Closed	Open	Closed
20	UCFB 204	83042	84753	90079	90084	41,3	126	72	46	28,6	10,5	19	18	36,3	47	49,5	8300	6600	8500	80254	80255	87259	83901	82305	82306	87540	87541
25	UCFB 205	82777	84754	90080	90085	41,3	126	72	46	28,6	10,5	19	17	36,5	47	49,5	9150	7800	9000	80075	80076	85384	85385	82276	82277	87542	87543
30	UCFB 206	84062	84755	90081	90086	47,6	142	85	52,4	32	10,5	26,3	20,7	41,7	53,2	55,7	12500	11200	11000	80011	80053	84100	80354	82278	82279	87531	87530
35	UCFB 207	84063	84756	90082	90087	51	155	94	60,5	32	10,5	26,3	20	43,2	56,5	59	16600	15300	13000	80077	80078	80969	80275	82284	82285	87544	87545
40	UCFB 208	83044	84757	90083	90088	50	165	100	60,5	41	10,5	26,3	19,5	44,8	65	68	20000	19000	18000	80256	80257	83088	86722	82280	82281	87528	82804

GRUB SCREWS SHAFT LOCKING - VERSIONS WITH MEASURES IN INCHES

D	SERIES	CHROME STEEL BEARING														COVER CODES												
		Support CODES				DIMENSIONS (mm)										Bearing load (N)		Bearing support load		GREY RAL 7042		BLUE RAL 5015		ORANGE RAL 2004		RED RAL 3000		
		Standard bearing		Long Life bearing		E	A	B	C	F	S	G	I	Z	U	T	C	CO	(N)		Closed	Open	Closed	Open	Closed	Open	Closed	Open
1"	25,4	UCFB 205	84529	84919	90089	90091	41,3	126	72	46	28,6	10,5	19	17	36,5	47	49,5	14000	7800	9000	80075	85202	85384	87273	82276	87660	87542	87663
1 1/4"	31,75	UCFB 206	84530	84920	90090	90092	47,6	142	85	52,4	32	10,5	26,3	20,7	41,7	53,2	55,7	19500	11300	11000	80011	85203	84100	87274	82278	87661	87531	87664

Inch dimensions conform to the British Imperial system



Side flanged bearing supports (Solid)

Series **UCFB/CX**

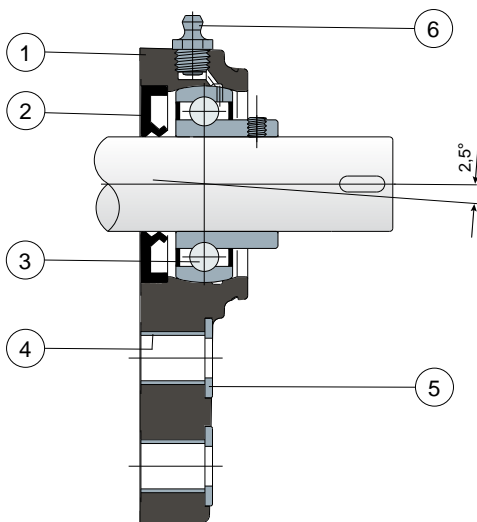


Self-aligning bearings with Solid body: completely closed surface to guarantee the max hygiene.

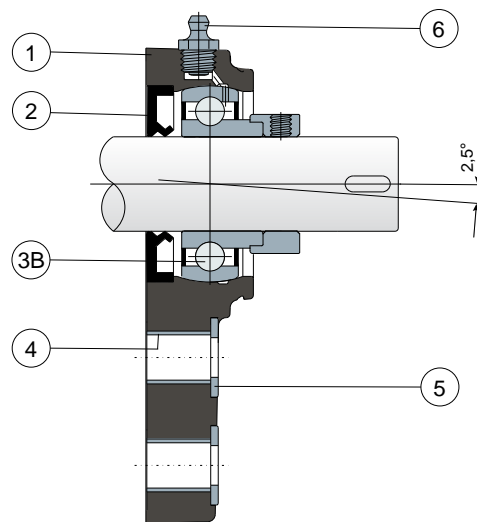


Long Life bearings: life long lubrication.

Grub screws shaft locking - Without protection cover



Eccentric collar shaft locking - Without protection cover



- 1) Housing made out of blue Ral 5005 colour polyamide reinforced with glass fibers.
- 2) Back gasket made out of NBR rubber for turning shaft seal.
- 3) Chrome steel or stainless steel bearing AISI 440.
- 3B) Chrome steel bearing.
- 4) Spacer for fixing reinforcement made out of stainless steel AISI 304.
- 5) UNI 6592 support washer made out of stainless steel AISI 304.
- 6) Greaser, straight type with 1/8 gas thread, made out of nickel-plated brass (absent in the versions with Long Life bearing).

NOTE: The protection cover can be ordered separately as an accessory; in the Long Life version, the greaser is absent and the lubrication channel is protected by a rubber cap.

Support dimensions respect ISO 3228 set of rules.

Maximum shaft alignment error 2,5°

For further information please contact our technical office or sales department.

MATERIALS: Housing is made out of PA + glass fiber in blue Ral 5005 colour; bearing with grub screws shaft locking in chrome steel or stainless steel; bearing with eccentric collar shaft locking in chrome steel; greaser made out of nickel plated brass; reinforcement bushings and washers made out of stainless steel AISI 304; gaskets made out of NBR rubber; cover made out of polypropylene grey Ral 7042, blue Ral 5015, orange Ral 2004 or red Ral 3000 colour.

FEATURES: The protection cover can be ordered separately as an accessory. This part is moulded without internal cavities in order to obtain the best sanification. Assembly with not shouldered shafts. Maximum shaft alignment error 2.5°.

BOX QUANTITY: 8 pieces.

ON REQUEST: Versions with body in polypropylene + glass fiber and antibacterial additive; housing in black colour polyamide reinforced with glass fibers; supports in blue polyamide RAL 5005 FDA APPROVED; protection covers in polypropylene blue Ral 5015 FDA APPROVED; protection covers in different colours and with customized brand; box quantity according to your request; Viton gaskets; available without NBR rubber back gasket for turning shaft seal.



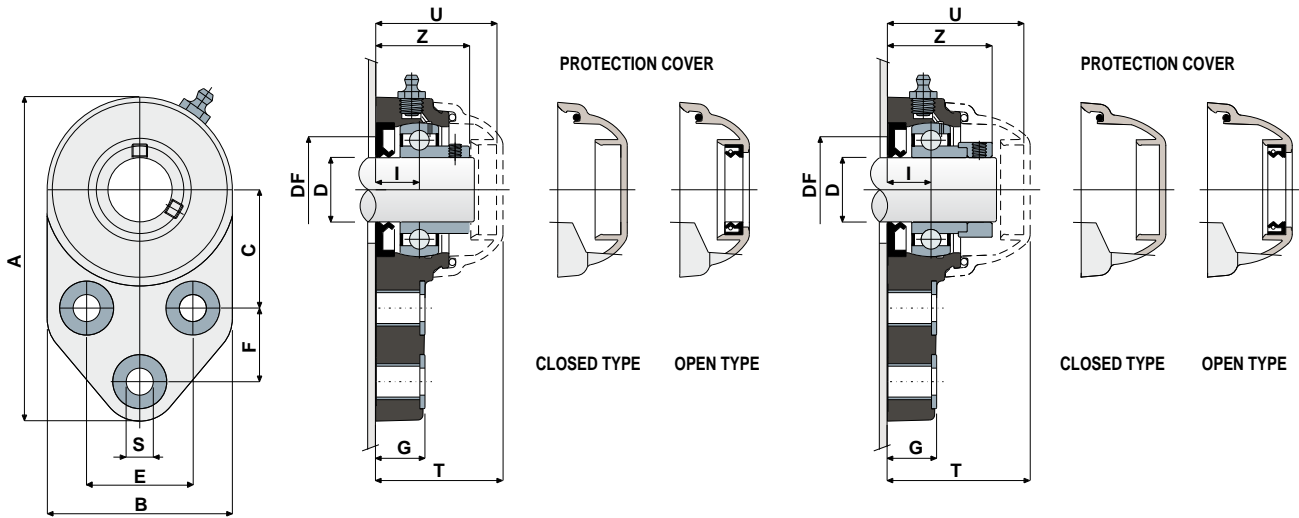
Side flanged bearing supports (Solid)

Technical data






Series **UCFB/CX**

GRUB SCREWS SHAFT LOCKING






ECCENTRIC COLLAR SHAFT LOCKING








GRUB SCREWS SHAFT LOCKING

D	SERIES	CHROME STEEL BEARING														COVER CODES													
		Support CODES		DIMENSIONS (mm)												Bearing load (N)		Bearing support load		GREY RAL 7042				BLUE RAL 5015		ORANGE RAL 2004		RED RAL 3000	
		Standard bearing	Long Life bearing	E	A	B	C	F	S	G	I	Z	U	T	DF		C	CO	(N)	Closed	Open	Closed	Open	Closed	Open	Closed	Open		
															Max	Min													
20	UCFB 204 CX 	89142	90044	41,3	126	72	46	28,6	10,5	19	18	36,3	47	49,5	45	40	12800	6600	8500	80254	80255	87259	83901	82305	82306	87540	87541		
25	UCFB 205 CX 	89143	90045	41,3	126	72	46	28,6	10,5	19	17	36,5	47	49,5	50	45	14000	7800	9000	80075	80076	85384	85385	82276	82277	87542	87543		
30	UCFB 206 CX 	89144	90046	47,6	142	85	52,4	32	10,5	26,3	20,7	41,7	53,2	55,7	60	50	19500	11300	11000	80011	80053	84100	80354	82278	82279	87531	87530		
35	UCFB 207 CX 	89145	90047	51	155	94	60,5	32	10,5	26,3	20	43,2	56,5	59	70	55	25500	15300	13000	80077	80078	80969	80275	82284	82285	87544	87545		
40	UCFB 208 CX 	89146	90048	50	165	100	60,5	41	10,5	26,3	19,5	44,8	65	68	78	65	32500	19800	18000	80256	80257	83088	86722	82280	82281	87528	82804		



ECCENTRIC COLLAR SHAFT LOCKING

D	SERIES	CHROME STEEL BEARING														COVER CODES							
		Support CODES		DIMENSIONS (mm)												Bearing load (N)		Bearing support load		GREY RAL 7042			
		Standard bearing	Long Life bearing	E	A	B	C	F	S	G	I	Z	U	T	DF		C	CO	(N)	Closed	Open		
															Max	Min							
20	UCFB 204 CX 	89157	90049	41,3	126	72	46	28,6	10,5	19	18	41,5	54	56,5	45	40	12800	6600	8500	88371	88372		
25	UCFB 205 CX 	89158	90050	41,3	126	72	46	28,6	10,5	19	17	40,5	52,9	55,4	50	45	14000	7800	9000	88373	88374		
30	UCFB 206 CX 	89159	90051	47,6	142	85	52,4	32	10,5	26,3	20,7	47,4	59,4	61,9	60	50	19500	11300	11000	88375	88376		
35	UCFB 207 CX 	89160	90052	51	155	94	60,5	32	10,5	26,3	20	49,3	61,3	63,8	70	55	25500	15300	13000	88377	88378		
40	UCFB 208 CX 	89161	90053	50	165	100	60,5	41	10,5	26,3	19,5	52,2	65	68	78	65	32500	19800	18000	80256	80257		

GRUB SCREWS SHAFT LOCKING

D	SERIES	STAINLESS STEEL BEARING AISI 440														COVER CODES													
		Support CODES		DIMENSIONS (mm)												Bearing load (N)		Bearing support load		GREY RAL 7042				BLUE RAL 5015		ORANGE RAL 2004		RED RAL 3000	
		Standard bearing	Long Life bearing	E	A	B	C	F	S	G	I	Z	U	T	DF		C	CO	(N)	Closed	Open	Closed	Open	Closed	Open	Closed	Open		
															Max	Min													
20	UCFB 204 CX 	89162	90054	41,3	126	72	46	28,6	10,5	19	18	36,3	47	49,5	45	40	8300	6600	8500	80254	80255	87259	83901	82305	82306	87540	87541		
25	UCFB 205 CX 	89163	90055	41,3	126	72	46	28,6	10,5	19	17	36,5	47	49,5	50	45	9150	7800	9000	80075	80076	85384	85385	82276	82277	87542	87543		
30	UCFB 206 CX 	89164	90056	47,6	142	85	52,4	32	10,5	26,3	20,7	41,7	53,2	55,7	60	50	12500	11200	11000	80011	80053	84100	80354	82278	82279	87531	87530		
35	UCFB 207 CX 	89165	90057	51	155	94	60,5	32	10,5	26,3	20	43,2	56,5	59	70	55	16600	15300	13000	80077	80078	80969	80275	82284	82285	87544	87545		
40	UCFB 208 CX 	89166	90058	50	165	100	60,5	41	10,5	26,3	19,5	44,8	65	68	78	65	20000	19000	18000	80256	80257	83088	86722	82280	82281	87528	82804		

GRUB SCREWS SHAFT LOCKING - VERSIONS WITH MEASURES IN INCHES

D	SERIES	CHROME STEEL BEARING														COVER CODES													
		Support CODES		DIMENSIONS (mm)												Bearing load (N)		Bearing support load		GREY RAL 7042				BLUE RAL 5015		ORANGE RAL 2004		RED RAL 3000	
		Standard bearing	Long Life bearing	E	A	B	C	F	S	G	I	Z	U	T	DF		C	CO	(N)	Closed	Open	Closed	Open	Closed	Open	Closed	Open		
															Max	Min													
1"	25,4	UCFB 205 CX 	89227	90059	41,3	126	72	46	28,6	10,5	19	36,5	47	49,5	50	45	14000	7800	9000	80075	85202	85384	87273	82276	87660	87542	87663		
1 1/4"	31,75	UCFB 206 CX 	89228	90060	47,6	142	85	52,4	32	10,5	26,3	20,7	41,7	53,2	55,7	60	50	19500	11300	11000	80011	85203	84100	87274	82278	87661	87531	87664	

Inch dimensions conform to the British Imperial system



Pillow Blocks

Series UCP/C



On request covers in polypropylene blue Ral 5015 colour.



On request covers in polypropylene orange Ral 2004 colour.

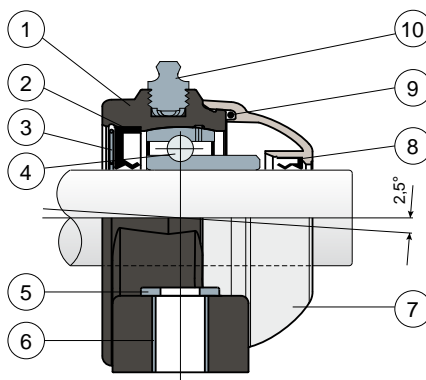


On request covers in polypropylene red Ral 3000 colour.



Long Life bearings: life long lubrication.

Full protection of bearing



- 1) Housing made out of black or white colour polyamide reinforced with glass fibers.
- 2) Back gasket made out of NBR rubber for turning shaft seal.
- 3) Safety ring in stainless steel AISI 304.
- 4) Chrome steel or stainless steel bearing AISI 440.
- 5) UNI 6592 support washer made out of stainless steel AISI 304.
- 6) Spacer for fixing reinforcement made out of stainless steel AISI 304.
- 7) Protection cover made out of polypropylene (grey colour Ral 7042).
- 8) Front gasket made out of NBR rubber for turning shaft seal.
- 9) OR gasket made out of NBR rubber.
- 10) Greaser, straight type with 1/8 gas thread, made out of nickel-plated brass (absent in the versions with Long Life bearing).

N.B.: In the Long Life version, the greaser is absent and the lubrication channel is protected by a rubber cap.

Support dimensions respect ISO 3228 set of rules.

Maximum shaft alignment error 2,5°.

For further information please contact our technical office or sales department.

MATERIALS: Housing is made out of PA + glass fiber in black or white colours; chrome steel or stainless steel bearing; greaser made out of nickel plated brass; reinforcement bushings, washers and safety ring made out of stainless steel AISI 304; gaskets made out of NBR rubber; cover made out of grey RAL 7042 colour polypropylene.

FEATURES: Full protection of bearing against external agents. Assembly with not shouldered shafts. Maximum shaft alignment error 2,5°.

BOX QUANTITY: 8 pieces.

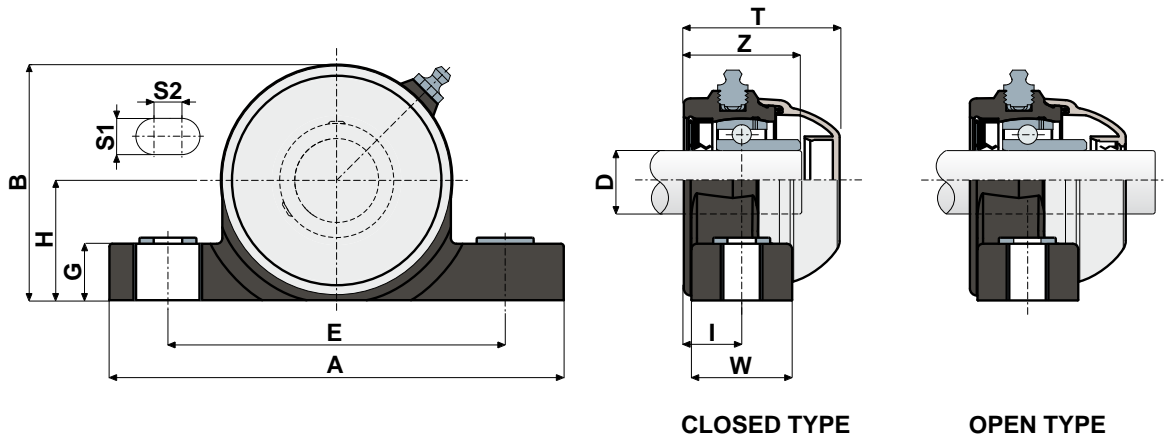
ON REQUEST: Versions with body in polypropylene + glass fiber and antibacterial additive; supports with eccentric collar shaft locking with chrome steel bearing; protection covers in different colours and with customized brand; box quantity according to your request; Viton gaskets.



Pillow Blocks

Technical data

Series **UCP/C**



CHROME STEEL BEARING																							
D	SERIES	CODES								DIMENSIONS (mm)										Bearing load (N)		Bearing support load	
		Standard bearing				Long Life bearing				E	A	S1	S2	G	H	B	I	W	Z	T	C	CO	(N)
		Black		White		Black		White															
		Closed	Open	Closed	Open	Closed	Open	Closed	Open														
20	UCP 204 C	84076	84077	84758	84759	90093	90094	90101	90102	96	130	13	10	20	33,5	65,5	18	30	36	49	12800	6600	5750
25	UCP 205 C	83682	83683	84760	84761	88590	88428	90103	90104	106	140	13	10	20	36,5	71,5	19,6	35	39	51,7	14000	7800	6900
30	UCP 206 C	83684	83685	84762	84763	90095	90096	90105	90106	121	163	13	10	20	43	84,5	20,7	36	41,7	55,7	19500	11300	9200
35	UCP 207 C	83686	83687	84764	84765	90097	90098	90107	90108	126	168	13	10	20	47,6	93,3	22,7	39	48	61,8	25500	15300	11500
40	UCP 208 C	85441	85443	85445	85446	90099	90100	90109	90110	136	185	13	10	20	50	100	22,5	38,6	51,5	70,7	32500	19800	11500

STAINLESS STEEL BEARING AISI 440																							
D	SERIES	CODES								DIMENSIONS (mm)										Bearing load (N)		Bearing support load	
		Standard bearing				Long Life bearing				E	A	S1	S2	G	H	B	I	W	Z	T	C	CO	(N)
		Black		White		Black		White															
		Closed	Open	Closed	Open	Closed	Open	Closed	Open														
20	UCP 204 C	84078	84079	84766	84767	90111	90112	90119	90120	96	130	13	10	20	33,5	65,5	18	30	36	49	8300	6600	5750
25	UCP 205 C	83696	83697	84768	84769	90113	90114	90121	90122	106	140	13	10	20	36,5	71,5	19,6	35	39	51,7	9150	7800	6900
30	UCP 206 C	83698	83699	84770	84771	87416	87417	90123	90124	121	163	13	10	20	43	84,5	20,7	36	41,7	55,7	12500	11200	9200
35	UCP 207 C	83700	83701	84772	84773	90115	90116	90125	90126	126	168	13	10	20	47,6	93,3	22,7	39	48	61,8	16600	15300	11500
40	UCP 208 C	85447	85448	85449	85450	90117	90118	90127	90128	136	185	13	10	20	50	100	22,5	38,6	51,5	70,7	20000	19000	11500

VERSIONS WITH MEASURES IN INCHES

CHROME STEEL BEARING																								
D	SERIES	CODES								DIMENSIONS (mm)										Bearing load (N)		Bearing support load		
		Standard bearing				Long Life bearing				E	A	S1	S2	G	H	B	I	W	Z	T	C	CO	(N)	
		Black		White		Black		White																
		Closed	Open	Closed	Open	Closed	Open	Closed	Open															
1"	25,4	UCP 205 C	84531	84532	84923	84924	90129	90130	90133	90134	106	140	13	10	20	36,5	71,5	19,6	35	39	51,7	14000	7800	6900
1 1/4"	31,75	UCP 206 C	84533	84534	84925	84926	90131	90132	90135	90136	121	163	13	10	20	43	84,5	20,7	36	41,7	55,7	19500	11300	9200

Inch dimensions conform to the British Imperial system



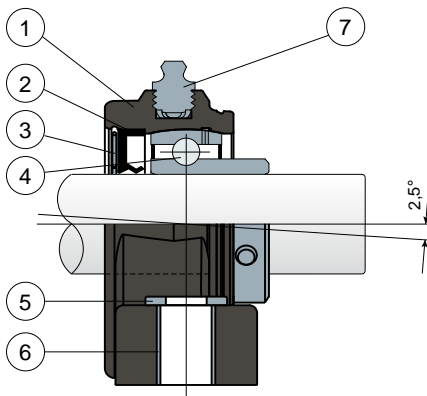
Pillow Blocks

Series **UCP/CX**

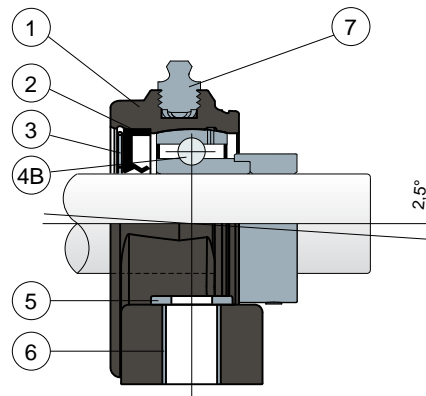


Long Life bearings: life long lubrication.

Grub screws shaft locking - Without protection cover



Eccentric collar shaft locking - Without protection cover



- 1) Housing made out of black, white or blue Ral 5005 colour polyamide reinforced with glass fibers.
- 2) Back gasket made out of NBR rubber for turning shaft seal.
- 3) Safety ring in stainless steel AISI 304.
- 4) Chrome steel or stainless steel bearing AISI 440.
- 4B) Chrome steel bearing.
- 5) UNI 6592 support washer made out of stainless steel AISI 304.
- 6) Spacer for fixing reinforcement made out of stainless steel AISI 304.
- 7) Greaser, straight type with 1/8 gas thread, made out of nickel-plated brass (absent in the versions with Long Life bearing).

NOTE: The protection cover can be ordered separately as an accessory; in the Long Life version, the greaser is absent and the lubrication channel is protected by a rubber cap.

Support dimensions respect ISO 3228 set of rules.
 Maximum shaft alignment error 2,5°.
 For further information please contact our technical office or sales department.

MATERIALS: Housing is made out of PA + glass fiber in black, white or blue Ral 5005 colours; bearing with grub screws shaft locking in chrome steel or stainless steel; bearing with eccentric collar shaft locking in chrome steel; greaser made out of nickel plated brass; reinforcement bushings, washers and safety ring made out of stainless steel AISI 304; gaskets made out of NBR rubber; cover made out of polypropylene grey Ral 7042, blue Ral 5015, orange Ral 2004 or red Ral 3000 colour.

FEATURES: The protection cover can be ordered separately as an accessory. Assembly with not shouldered shafts. Maximum shaft alignment error 2,5°.
BOX QUANTITY: 8 pieces.

ON REQUEST: Versions with body in polypropylene + glass fiber and antibacterial additive; supports in blue polyamide RAL 5005 FDA APPROVED; protection covers in polypropylene blue Ral 5015 FDA APPROVED; protection covers in different colours and with customized brand; box quantity according to your request; Viton gaskets.



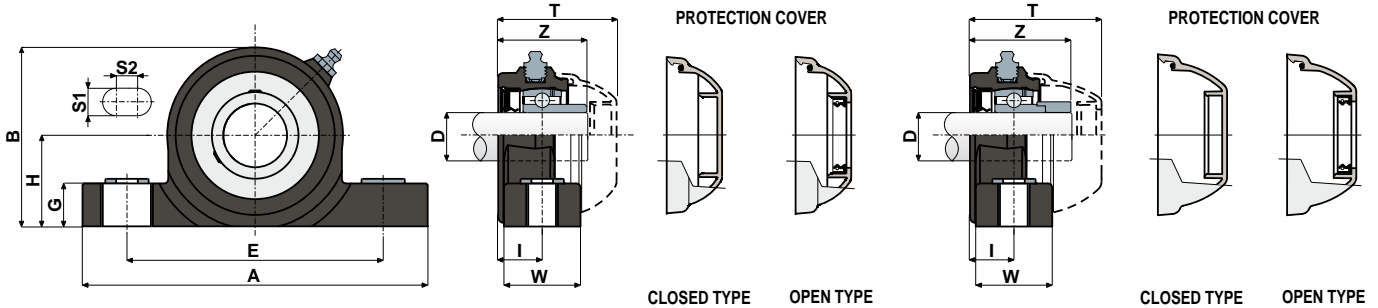
Pillow Blocks

Technical data

Series **UCP/CX**

GRUB SCREWS SHAFT LOCKING

ECCENTRIC COLLAR SHAFT LOCKING



GRUB SCREWS SHAFT LOCKING

D	SERIES	CHROME STEEL BEARING																	COVER CODES											
		Support CODES						DIMENSIONS (mm)											Bearing load (N)		Bearing support load		GREY RAL 7042		BLUE RAL 5015		ORANGE RAL 2004		RED RAL 3000	
		Standard bearing			Long Life bearing			E	A	S1	S2	G	H	B	I	W	Z	T	C	CO	(N)	Closed	Open	Closed	Open	Closed	Open	Closed	Open	
		Black	White	Blue Ral 5005	Black	White	Blue Ral 5005																							
20	UCP 204 CX	84080	84774	87753	90145	90149	90154	96	130	13	10	20	33,5	65,5	18	30	36	49	12800	6600	5750	80254	80255	87259	83901	82305	82306	87540	87541	
25	UCP 205 CX	83688	84775	87754	90146	90150	90155	106	140	13	10	20	36,5	71,5	19,6	35	39	51,7	14000	7800	6900	80075	80076	85384	85385	82276	82277	87542	87543	
30	UCP 206 CX	83689	84776	87755	88673	90151	90156	121	163	13	10	20	43	84,5	20,7	36	41,7	55,7	19500	11300	9200	80011	80053	84100	80354	82278	82279	87531	87530	
35	UCP 207 CX	83690	84777	87756	90147	90152	90157	126	168	13	10	20	47,6	93,3	22,7	39	48	61,8	25500	15300	11500	80077	80078	80969	80275	82284	82285	87544	87545	
40	UCP 208 CX	85451	85452	87757	90148	90153	90158	136	185	13	10	20	50	100	22,5	38,6	51,5	70,7	32500	19800	11500	80256	80257	83088	86722	82280	82281	87528	82804	

ECCENTRIC COLLAR SHAFT LOCKING

D	SERIES	CHROME STEEL BEARING																	COVER CODES					
		Support CODES						DIMENSIONS (mm)											Bearing load (N)		Bearing support load		GREY RAL 7042	
		Standard bearing			Long Life bearing			E	A	S1	S2	G	H	B	I	W	Z	T	C	CO	(N)	Closed	Open	
		Black	White	Blue Ral 5005	Black	White	Blue Ral 5005																	
20	UCP 204 CX	88574	88579	88584	90159	90164	90169	96	130	13	10	20	33,5	65,5	18	30	41,6	56	12800	6600	5750	88371	88372	
25	UCP 205 CX	88575	88580	88585	90160	90165	90170	106	140	13	10	20	36,5	71,5	19,6	35	43	57,6	14000	7800	6900	88373	88374	
30	UCP 206 CX	88576	88581	88586	90161	90166	90171	121	163	13	10	20	43	84,5	20,7	36	47,4	61,8	19500	11300	9200	88375	88376	
35	UCP 207 CX	88577	88582	88587	90162	90167	90172	126	168	13	10	20	47,6	93,3	22,7	39	52	66,6	25500	15300	11500	88377	88378	
40	UCP 208 CX	88578	88583	88588	90163	90168	90173	136	185	13	10	20	50	100	22,5	38,6	55,2	70,9	32500	19800	11500	80256	80257	

GRUB SCREWS SHAFT LOCKING

D	SERIES	STAINLESS STEEL BEARING AISI 440																	COVER CODES											
		Support CODES						DIMENSIONS (mm)											Bearing load (N)		Bearing support load		GREY RAL 7042		BLUE RAL 5015		ORANGE RAL 2004		RED RAL 3000	
		Standard bearing			Long Life bearing			E	A	S1	S2	G	H	B	I	W	Z	T	C	CO	(N)	Closed	Open	Closed	Open	Closed	Open	Closed	Open	
		Black	White	Blue Ral 5005	Black	White	Blue Ral 5005																							
20	UCP 204 CX	84081	84778	87762	85324	85840	88393	96	130	13	10	20	33,5	65,5	18	30	36	49	8300	6600	5750	80254	80255	87259	83901	82305	82306	87540	87541	
25	UCP 205 CX	83702	84779	87763	84238	86179	88880	106	140	13	10	20	36,5	71,5	19,6	35	39	51,7	9150	7800	6900	80075	80076	85384	85385	82276	82277	87542	87543	
30	UCP 206 CX	83703	84780	87764	90174	87526	90178	121	163	13	10	20	43	84,5	20,7	36	41,7	55,7	12500	11200	9200	80011	80053	84100	80354	82278	82279	87531	87530	
35	UCP 207 CX	83704	84781	87765	86699	90176	90179	126	168	13	10	20	47,6	93,3	22,7	39	48	61,8	16600	15300	11500	80077	80078	80969	80275	82284	82285	87544	87545	
40	UCP 208 CX	85453	85454	87766	90175	90177	90180	136	185	13	10	20	50	100	22,5	38,6	51,5	70,7	20000	19000	11500	80256	80257	83088	86722	82280	82281	87528	82804	

GRUB SCREWS SHAFT LOCKING - VERSIONS WITH MEASURES IN INCHES

D	(inches)	(mm)	SERIES	CHROME STEEL BEARING																	COVER CODES											
				Support CODES						DIMENSIONS (mm)											Bearing load (N)		Bearing support load		GREY RAL 7042		BLUE RAL 5015		ORANGE RAL 2004		RED RAL 3000	
				Standard bearing			Long Life bearing			E	A	S1	S2	G	H	B	I	W	Z	T	C	CO	(N)	Closed	Open	Closed	Open	Closed	Open	Closed	Open	
				Black	White	Blue Ral 5005	Black	White	Blue Ral 5005																							
1"	25,4	UCP 205 CX	84535	84931	87767	90181	90183	90185	106	140	13	10	20	36,5	71,5	19,6	35	39	51,7	14000	7800	6900	80075	85202	85384	87273	82276	87660	87542	87663		
1 1/4"	31,75	UCP 206 CX	84536	84932	87768	90182	90184	90186	121	163	13	10	20	43	84,5	20,7	36	41,7	55,7	19500	11300	9200	80011	85203	84100	87274	82278	87661	87531	87664		

Inch dimensions conform to the British Imperial system



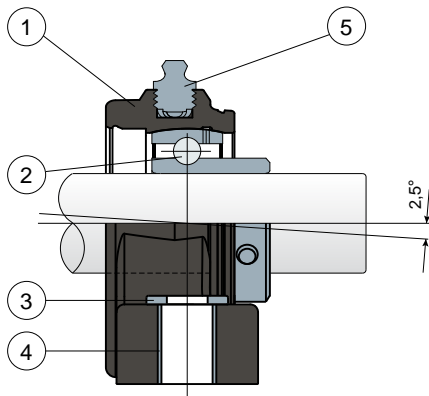
Pillow Blocks

Series **UCP**

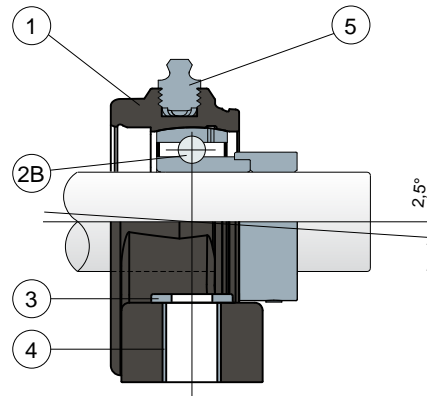


Long Life bearings: life long lubrication.

Grub screws shaft locking
Without cover and back gasket



Eccentric collar shaft locking
Without cover and back gasket



- 1) Housing made out of black, white or blue Ral 5005 colour polyamide reinforced with glass fibers.
- 2) Chrome steel or stainless steel bearing AISI 440.
- 2B) Chrome steel bearing.
- 3) UNI 6592 support washer made out of stainless steel AISI 304.
- 4) Spacer for fixing reinforcement made out of stainless steel AISI 304.
- 5) Greaser, straight type with 1/8 gas thread, made out of nickel-plated brass (absent in the versions with Long Life bearing).

NOTE: The back gasket and the protection cover can be ordered separately as accessories; in the Long Life version, the greaser is absent and the lubrication channel is protected by a rubber cap.

Support dimensions respect ISO 3228 set of rules.
Maximum shaft alignment error 2,5°.

For further information please contact our technical office or sales department.

MATERIALS: Housing is made out of PA + glass fiber in black, white or blue Ral 5005 colours; bearing with grub screws shaft locking in chrome steel or stainless steel; bearing with eccentric collar shaft locking in chrome steel; greaser made out of nickel plated brass; reinforcement bushings and washers made out of stainless steel AISI 304; gaskets made out of NBR rubber; cover made out of polypropylene grey Ral 7042, blue Ral 5015, orange Ral 2004 or red Ral 3000 colour.

FEATURES: The back gasket and the protection cover can be ordered separately as accessories. Assembly with shouldered and not shouldered shafts. Maximum shaft alignment error 2,5°.

BOX QUANTITY: 8 pieces.

ON REQUEST: Versions with body in polypropylene + glass fiber and antibacterial additive; supports in blue polyamide RAL 5005 FDA APPROVED; protection covers in polypropylene blue Ral 5015 FDA APPROVED; protection covers in different colours and with customized brand; box quantity according to your request; Viton gaskets.



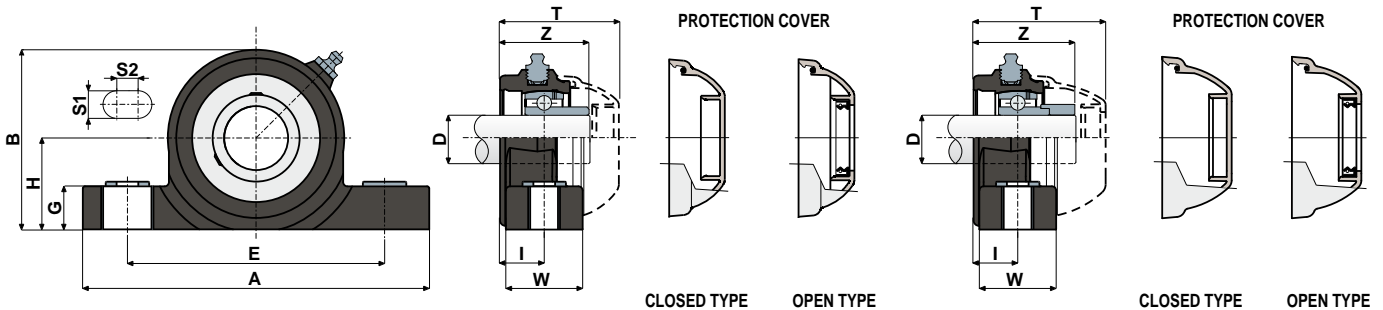
Pillow Blocks

Technical data

Series **UCP**

GRUB SCREWS SHAFT LOCKING

ECCENTRIC COLLAR SHAFT LOCKING



GRUB SCREWS SHAFT LOCKING

D	SERIES	CHROME STEEL BEARING															COVER CODES												
		Support CODES						DIMENSIONS (mm)									Bearing load (N)	Bearing support load (N)	GREY RAL 7042		BLUE RAL 5015		ORANGE RAL 2004		RED RAL 3000				
		Standard bearing			Long Life bearing			E	A	S1	S2	G	H	B	I	W			Z	T	C	CO	Closed	Open	Closed	Open	Closed	Open	Closed
20	UCP 204	84082	84782	87769	90193	90197	90202	96	130	13	10	20	33,5	65,5	18	30	36	49	12800	6600	5750	80254	80255	87259	83901	82305	82306	87540	87541
25	UCP 205	83691	84783	87770	90194	90198	90203	106	140	13	10	20	36,5	71,5	19,6	35	39	51,7	14000	7800	6900	80075	80076	85384	85385	82276	82277	87542	87543
30	UCP 206	83692	84784	87771	90195	90199	90204	121	163	13	10	20	43	84,5	20,7	36	41,7	55,7	19500	11300	9200	80011	80053	84100	80354	82278	82279	87531	87530
35	UCP 207	83693	84785	87772	90196	90200	90205	126	168	13	10	20	47,6	93,3	22,7	39	48	61,8	25500	15300	11500	80077	80078	80969	80275	82284	82285	87544	87545
40	UCP 208	85455	85456	87773	87626	90201	90206	136	185	13	10	20	50	100	22,5	38,6	51,5	70,7	32500	19800	11500	80256	80257	83088	86722	82280	82281	87528	82804

ECCENTRIC COLLAR SHAFT LOCKING

D	SERIES	CHROME STEEL BEARING															COVER CODES						
		Support CODES						DIMENSIONS (mm)									Bearing load (N)	Bearing support load (N)	GREY RAL 7042				
		Standard bearing			Long Life bearing			E	A	S1	S2	G	H	B	I	W			Z	T	C	CO	Closed
20	UCP 204	88592	88597	88602	90207	90212	90217	96	130	13	10	20	33,5	65,5	18	30	41,6	56	12800	6600	5750	88371	88372
25	UCP 205	88593	88598	88603	90208	90213	90218	106	140	13	10	20	36,5	71,5	19,6	35	43	57,6	14000	7800	6900	88373	88374
30	UCP 206	88594	88599	88604	90209	90214	90219	121	163	13	10	20	43	84,5	20,7	36	47,4	61,8	19500	11300	9200	88375	88376
35	UCP 207	88595	88600	88605	90210	90215	90220	126	168	13	10	20	47,6	93,3	22,7	39	52	66,6	25500	15300	11500	88377	88378
40	UCP 208	88596	88601	88606	90211	90216	90221	136	185	13	10	20	50	100	22,5	38,6	55,2	70,9	32500	19800	11500	80256	80257

GRUB SCREWS SHAFT LOCKING

D	SERIES	STAINLESS STEEL BEARING AISI 440															COVER CODES												
		Support CODES						DIMENSIONS (mm)									Bearing load (N)	Bearing support load (N)	GREY RAL 7042		BLUE RAL 5015		ORANGE RAL 2004		RED RAL 3000				
		Standard bearing			Long Life bearing			E	A	S1	S2	G	H	B	I	W			Z	T	C	CO	Closed	Open	Closed	Open	Closed	Open	Closed
20	UCP 204	84083	84786	87774	90222	90227	90232	96	130	13	10	20	33,5	65,5	18	30	36	49	8300	6600	5750	80254	80255	87259	83901	82305	82306	87540	87541
25	UCP 205	83705	84787	87775	90223	90228	90233	106	140	13	10	20	36,5	71,5	19,6	35	39	51,7	9150	7800	6900	80075	80076	85384	85385	82276	82277	87542	87543
30	UCP 206	83706	84788	87776	90224	90229	90234	121	163	13	10	20	43	84,5	20,7	36	41,7	55,7	12500	11200	9200	80011	80053	84100	80354	82278	82279	87531	87530
35	UCP 207	83707	84789	87777	90225	90230	90235	126	168	13	10	20	47,6	93,3	22,7	39	48	61,8	16600	15300	11500	80077	80078	80969	80275	82284	82285	87544	87545
40	UCP 208	85457	85458	87778	90226	90231	90236	136	185	13	10	20	50	100	22,5	38,6	51,5	70,7	20000	19000	11500	80256	80257	83088	86722	82280	82281	87528	82804

GRUB SCREWS SHAFT LOCKING - VERSIONS WITH MEASURES IN INCHES

D	(inches)	(mm)	SERIES	CHROME STEEL BEARING															COVER CODES											
				Support CODES						DIMENSIONS (mm)									Bearing load (N)	Bearing support load (N)	GREY RAL 7042		BLUE RAL 5015		ORANGE RAL 2004		RED RAL 3000			
				Standard bearing			Long Life bearing			E	A	S1	S2	G	H	B	I	W			Z	T	C	CO	Closed	Open	Closed	Open	Closed	Open
1"	25,4	UCP 205	84537	84936	87779	90237	90239	90241	106	140	13	10	20	36,5	71,5	19,6	35	39	51,7	14000	7800	6900	80075	85202	85384	87273	82276	87660	87542	87663
1 1/4"	31,75	UCP 206	84538	84937	87780	90238	90240	90242	121	163	13	10	20	43	84,5	20,7	36	41,7	55,7	19500	11300	9200	80011	85203	84100	87274	82278	87661	87531	87664

Inch dimensions conform to the British Imperial system



Pillow Blocks (Solid)

Series **UCP/C**



On request covers in polypropylene blue Ral 5015 colour.



On request covers in polypropylene grey Ral 7042 colour.



On request covers in polypropylene red Ral 3000 colour.

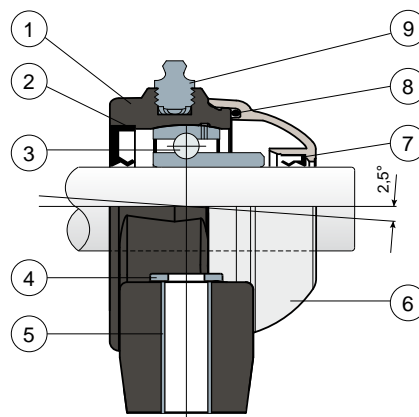


Self-aligning bearings with Solid body: completely closed surface to guarantee the max hygiene.



Long Life bearings: life long lubrication.

Full protection of bearing



- 1) Housing made out of blue Ral 5005 colour polyamide reinforced with glass fibers.
- 2) Back gasket made out of NBR rubber for turning shaft seal.
- 3) Chrome steel or stainless steel bearing AISI 440.
- 4) UNI 6592 support washer made out of stainless steel AISI 304.
- 5) Spacer for fixing reinforcement made out of stainless steel AISI 304.
- 6) Protection cover made out of polypropylene (orange Ral 2004 colour).
- 7) Front gasket made out of NBR rubber for turning shaft seal.
- 8) OR gasket made out of NBR rubber.
- 9) Greaser, straight type with 1/8 gas thread, made out of stainless steel AISI 303 (absent in the versions with Long Life bearing).

N.B.: In the Long Life version, the greaser is absent and the lubrication channel is protected by a rubber cap.

Support dimensions respect ISO 3228 set of rules

Maximum shaft alignment error 2,5°

For further information please contact our technical office or sales department.

MATERIALS: Support made out of blue Ral 5005 colour PA + glass fiber; chrome steel or stainless steel bearing; greaser made out of stainless steel; reinforcement bushings and washers made out of stainless steel AISI 304; gaskets made out of NBR rubber; cover made out of orange Ral 2004 colour polypropylene.

FEATURES: Full protection of bearing against external agents. Assembly with not shouldered shafts. The reduced contact surface of the base of the support allows maximum sanitation. Maximum shaft alignment error 2.5°.

BOX QUANTITY: 8 pieces.

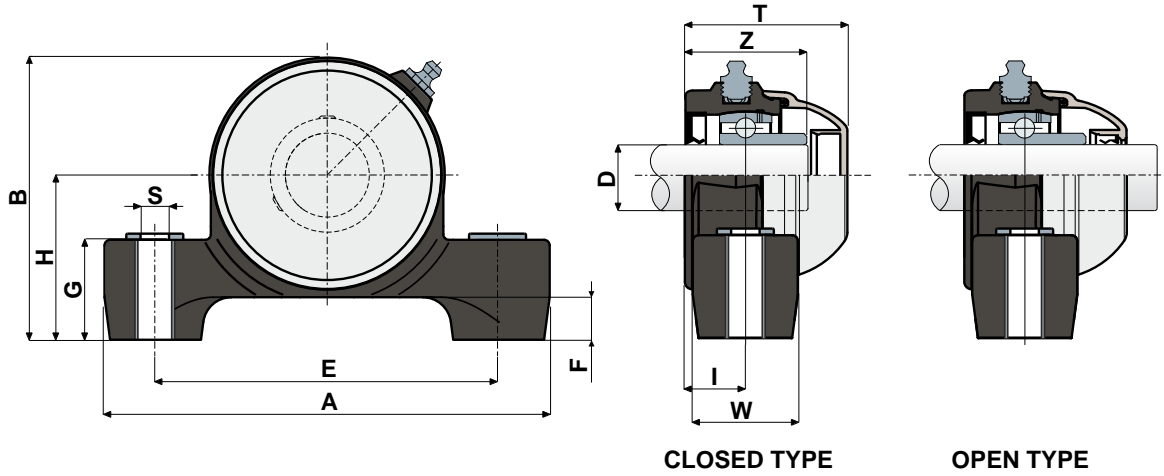
ON REQUEST: Versions with body in polypropylene + glass fiber and antibacterial additive; supports in blue polyamide RAL 5005 FDA APPROVED; supports with eccentric collar shaft locking with chrome steel bearing; protection covers in different colours and with customized brand; box quantity according to your request; Viton gaskets.












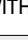
Pillow Blocks (Solid)

Technical data


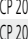


Series **UCP/C**



CHROME STEEL BEARING																			
D	SERIES	CODES				DIMENSIONS (mm)										Bearing load (N)		Bearing support load	
		Standard bearing		Long Life bearing		E	A	S	F	G	H	B	I	W	Z	T	C	CO	(N)
		Blue Ral 5005																	
		Closed	Open	Closed	Open														
20	UCP 204 C 	90750	90751	90762	90763	96	126	10,5	15	35,2	48,5	80,5	18	30	36,4	49	12800	6600	5750
25	UCP 205 C 	88642	88643	90137	90138	106	141	10,5	15	34,5	51,5	86,5	19,6	35	39	51,7	14000	7800	6900
30	UCP 206 C 	88399	88400	90139	90140	121	157	10,5	15	34,5	58	99,5	20,7	36	42,7	55,6	19500	11300	9200
35	UCP 207 C 	90752	90753	90764	90765	126	165	10,5	15	34,5	62	107,8	21,4	39	44,7	61,8	25500	15300	11500
40	UCP 208 C 	90754	90755	90766	90767	136	174,6	10,5	15	35	65	115	22,5	38,6	47,8	70,8	32500	19800	11500

STAINLESS STEEL BEARING AISI 440																			
D	SERIES	CODES				DIMENSIONS (mm)										Bearing load (N)		Bearing support load	
		Standard bearing		Long Life bearing		E	A	S	F	G	H	B	I	W	Z	T	C	CO	(N)
		Blue Ral 5005																	
		Closed	Open	Closed	Open														
20	UCP 204 C 	90756	90757	90768	90769	96	126	10,5	15	35,2	48,5	80,5	18	30	36,4	49	8300	6600	5750
25	UCP 205 C 	88645	88646	90141	90142	106	141	10,5	15	34,5	51,5	86,5	19,6	35	39	51,7	9150	7800	6900
30	UCP 206 C 	88639	88640	90143	90144	121	157	10,5	15	34,5	58	99,5	20,7	36	42,7	55,6	12500	11200	9200
35	UCP 207 C 	90758	90759	90770	90771	126	165	10,5	15	34,5	62	107,8	21,4	39	44,7	61,8	16600	15300	11500
40	UCP 208 C 	90760	90761	90772	90773	136	174,6	10,5	15	35	65	115	22,5	38,6	47,8	70,8	20000	19000	11500

VERSIONS WITH MEASURES IN INCHES

CHROME STEEL BEARING																				
D	SERIES	CODES				DIMENSIONS (mm)										Bearing load (N)		Bearing support load		
		Standard bearing		Long Life bearing		E	A	S	F	G	H	B	I	W	Z	T	C	CO	(N)	
		Blue Ral 5005																		
		Closed	Open	Closed	Open															
 1"	25,4	UCP 205 C 	91200	91201	91212	91213	106	141	10,5	15	34,5	51,5	86,5	19,6	35	39	51,7	14000	7800	6900
 1 1/4"	31,75	UCP 206 C 	91202	91203	91214	91215	121	157	10,5	15	34,5	58	99,5	20,7	36	42,7	55,6	19500	11300	9200

Inch dimensions conform to the British Imperial system



Pillow Blocks (Solid)

Series **UCP/CX**

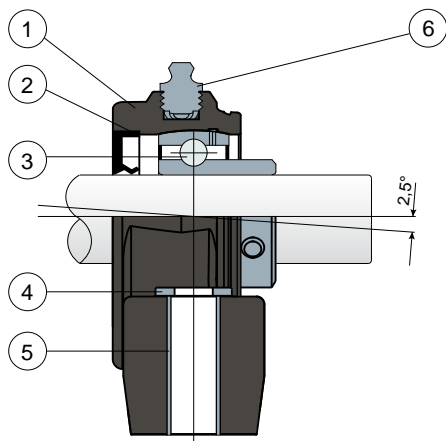


Self-aligning bearings with Solid body: completely closed surface to guarantee the max hygiene.

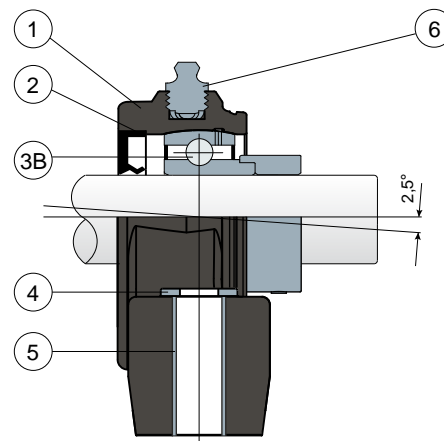


Long Life bearings: life long lubrication.

Grub screws shaft locking - Without protection cover



Eccentric collar shaft locking - Without protection cover



- 1) Housing made out of blue Ral 5005 colour polyamide reinforced with glass fibers.
- 2) Back gasket made out of NBR rubber for turning shaft seal.
- 3) Chrome steel or stainless steel bearing AISI 440.
- 3B) Chrome steel bearing.
- 4) UNI 6592 support washer made out of stainless steel AISI 304.
- 5) Spacer for fixing reinforcement made out of stainless steel AISI 304.
- 6) Greaser, straight type with 1/8 gas thread, made out of stainless steel AISI 303 (absent in the versions with Long Life bearing).

NOTE: The protection cover can be ordered separately as an accessory; in the Long Life version, the greaser is absent and the lubrication channel is protected by a rubber cap.

Support dimensions respect ISO 3228 set of rules

Maximum shaft alignment error 2,5°

For further information please contact our technical office or sales department.

MATERIALS: Support made out of blue Ral 5005 colour PA + glass fiber; bearing with grub screws shaft locking in chrome steel or stainless steel; bearing with eccentric collar shaft locking in chrome steel; greaser made out of stainless steel; reinforcement bushings and washers made out of stainless steel AISI 304; gaskets made out of NBR rubber; cover made out of polypropylene grey Ral 7042, blue Ral 5015, orange Ral 2004, red Ral 3000 colour.

FEATURES: The protection cover can be ordered separately as an accessory. The reduced contact surface of the base of the support allows maximum sanitation. Assembly with not shouldered shafts. Maximum shaft alignment error 2.5°.

BOX QUANTITY: 8 pieces.

ON REQUEST: Versions with body in polypropylene + glass fiber and antibacterial additive; supports in blue polyamide RAL 5005 FDA APPROVED; protection covers in polypropylene blue Ral 5015 FDA APPROVED; protection covers in different colours and with customized brand; box quantity according to your request; Viton gaskets; available without NBR rubber back gasket for turning shaft seal.



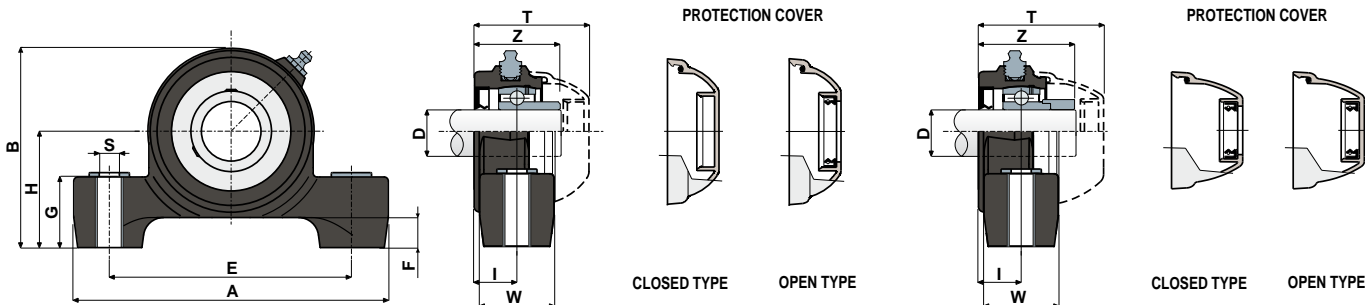
Pillow Blocks (Solid)

Technical data






Series **UCP/CX**

GRUB SCREWS SHAFT LOCKING






ECCENTRIC COLLAR SHAFT LOCKING








GRUB SCREWS SHAFT LOCKING

D	SERIES	CHROME STEEL BEARING														COVER CODES											
		Support CODES		DIMENSIONS (mm)												Bearing load (N)		Bearing support load		GREY RAL 7042		BLUE RAL 5015		ORANGE RAL 2004		RED RAL 3000	
		Standard bearing	Long Life bearing	E	A	S	F	G	H	B	I	W	Z	T	C	CO	(N)	Closed	Open	Closed	Open	Closed	Open	Closed	Open		
20	UCP 204 CX 	90774	90783	96	126	10,5	15	35,2	48,5	80,5	18	30	36,4	49	12800	6600	5750	80254	80255	87259	83901	82305	82306	87540	87541		
25	UCP 205 CX 	88644	90187	106	141	10,5	15	34,5	51,5	86,5	19,6	35	39	51,7	14000	7800	6900	80075	80076	85384	85385	82276	82277	87542	87543		
30	UCP 206 CX 	88401	90188	121	157	10,5	15	34,5	58	99,5	20,7	36	42,7	55,6	19500	11300	9200	80011	80053	84100	80354	82278	82279	87531	87530		
35	UCP 207 CX 	90775	90784	126	165	10,5	15	34,5	62	107,8	21,4	39	44,7	61,8	25500	15300	11500	80077	80078	80969	80275	82284	82285	87544	87545		
40	UCP 208 CX 	90776	90785	136	174,6	10,5	15	35	65	115	22,5	38,6	47,8	70,8	32500	19800	11500	80256	80257	83088	86722	82280	82281	87528	82804		


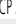
ECCENTRIC COLLAR SHAFT LOCKING

D	SERIES	CHROME STEEL BEARING														COVER CODES					
		Support CODES		DIMENSIONS (mm)												Bearing load (N)		Bearing support load		GREY RAL 7042	
		Standard bearing	Long Life bearing	E	A	S	F	G	H	B	I	W	Z	T	C	CO	(N)	Closed	Open		
20	UCP 204 CX 	90777	90786	96	126	10,5	15	35,2	48,5	80,5	18	30	41,6	56	12800	6600	5750	88371	88372		
25	UCP 205 CX 	88650	90189	106	141	10,5	15	34,5	51,5	86,5	19,6	35	43	57,5	14000	7800	6900	88373	88374		
30	UCP 206 CX 	88651	90190	121	157	10,5	15	34,5	58	99,5	20,7	36	47,4	61,8	19500	11300	9200	88375	88376		
35	UCP 207 CX 	90778	90787	126	165	10,5	15	34,5	62	107,8	21,4	39	50,8	66,5	25500	15300	11500	88377	88378		
40	UCP 208 CX 	90779	90788	136	174,6	10,5	15	35	65	115	22,5	38,6	55,2	70,8	32500	19800	11500	80256	80257		

GRUB SCREWS SHAFT LOCKING

D	SERIES	STAINLESS STEEL BEARING AISI 440														COVER CODES											
		Support CODES		DIMENSIONS (mm)												Bearing load (N)		Bearing support load		GREY RAL 7042		BLUE RAL 5015		ORANGE RAL 2004		RED RAL 3000	
		Standard bearing	Long Life bearing	E	A	S	F	G	H	B	I	W	Z	T	C	CO	(N)	Closed	Open	Closed	Open	Closed	Open	Closed	Open		
20	UCP 204 CX 	90780	90789	96	126	10,5	15	35,2	48,5	80,5	18	30	36,4	49	8300	6600	5750	80254	80255	87259	83901	82305	82306	87540	87541		
25	UCP 205 CX 	88647	90191	106	141	10,5	15	34,5	51,5	86,5	19,6	35	39	51,7	9150	7800	6900	80075	80076	85384	85385	82276	82277	87542	87543		
30	UCP 206 CX 	88641	90192	121	157	10,5	15	34,5	58	99,5	20,7	36	42,7	55,6	12500	11200	9200	80011	80053	84100	80354	82278	82279	87531	87530		
35	UCP 207 CX 	90781	90790	126	165	10,5	15	34,5	62	107,8	21,4	39	44,7	61,8	16600	15300	11500	80077	80078	80969	80275	82284	82285	87544	87545		
40	UCP 208 CX 	90782	90791	136	174,6	10,5	15	35	65	115	22,5	38,6	47,8	70,8	20000	19000	11500	80256	80257	83088	86722	82280	82281	87528	82804		

GRUB SCREWS SHAFT LOCKING - VERSIONS WITH MEASURES IN INCHES

D	SERIES	CHROME STEEL BEARING														COVER CODES											
		Support CODES		DIMENSIONS (mm)												Bearing load (N)		Bearing support load		GREY RAL 7042		BLUE RAL 5015		ORANGE RAL 2004		RED RAL 3000	
		Standard bearing	Long Life bearing	E	A	S	F	G	H	B	I	W	Z	T	C	CO	(N)	Closed	Open	Closed	Open	Closed	Open	Closed	Open		
1" (25,4)	UCP 205 CX 	91220	91226	106	141	10,5	15	34,5	51,5	86,5	19,6	35	39	51,7	14000	7800	6900	80075	85202	85384	87273	82276	87660	87542	87663		
1 1/4" (31,75)	UCP 206 CX 	91221	91227	121	157	10,5	15	34,5	58	99,5	20,7	36	42,7	55,6	19500	11300	9200	80011	85203	84100	87274	82278	87661	87531	87664		

Inch dimensions conform to the British Imperial system



Compact Pillow Blocks (Solid)

Series **UCPA/C**



On request covers in polypropylene blue Ral 5015 colour.



On request covers in polypropylene orange Ral 2004 colour.



On request covers in polypropylene red Ral 3000 colour.

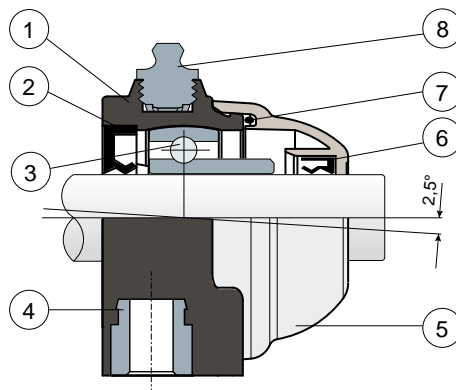


Self-aligning bearings with Solid body: completely closed surface to guarantee the max hygiene.



Long Life bearings: life long lubrication.

Full protection of bearing



- 1) Housing made out of black or white colour polyamide reinforced with glass fibers.
- 2) Back gasket made out of NBR rubber for turning shaft seal.
- 3) Chrome steel or stainless steel bearing AISI 440.
- 4) Bushing made of nickel plated brass.
- 5) Protection cover made out of polypropylene (grey colour Ral 7042).
- 6) Front gasket made out of NBR rubber for turning shaft seal.
- 7) OR gasket made out of NBR rubber.
- 8) Greaser, straight type with 1/8 gas thread, made out of nickel-plated brass (absent in the versions with Long Life bearing).

N.B.: In the Long Life version, the greaser is absent and the lubrication channel is protected by a rubber cap.

Support dimensions respect ISO 3228 set of rules.

Maximum shaft alignment error 2,5°.

For further information please contact our technical office or sales department.

MATERIALS: Housing is made out of PA + glass fiber in black or white colours; chrome steel or stainless steel bearing; greaser and bushings made out of nickel plated brass; gaskets made out of NBR rubber; cover made out of grey RAL 7042 colour polypropylene.

FEATURES: Full protection of bearing against external agents. Assembly with not shouldered shafts. Maximum shaft alignment error 2,5°.

BOX QUANTITY: 8 pieces.

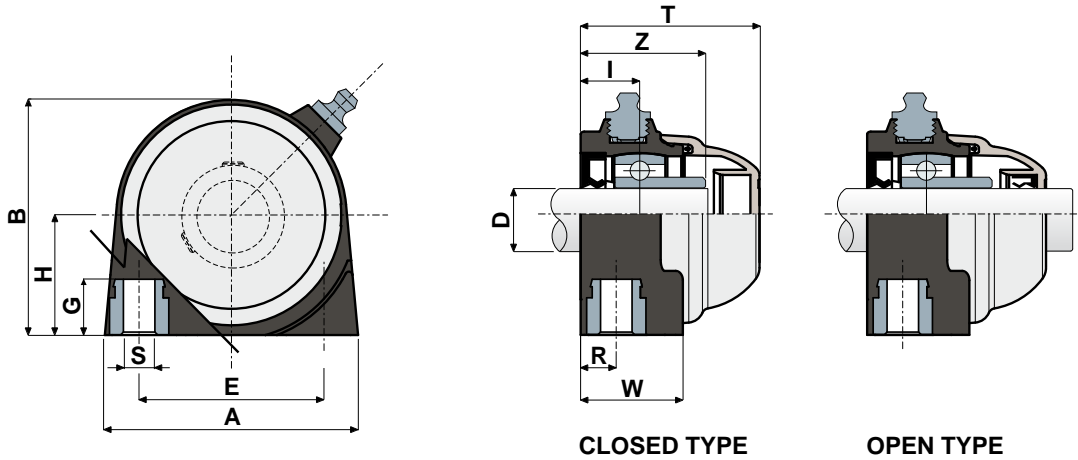
ON REQUEST: Versions with body in polypropylene + glass fiber and antibacterial additive; supports with eccentric collar shaft locking with chrome steel bearing; protection covers in different colours and with customized brand; box quantity according to your request; Viton gaskets.







Compact Pillow Blocks (Solid)

Technical data

Series **UCPA/C**



CHROME STEEL BEARING																							
D	SERIES	CODES								DIMENSIONS (mm)											Bearing load (N)		Bearing support load
		Standard bearing				Long Life bearing				E	A	S	G	H	B	R	W	I	Z	T	C	C0	(N)
		Black		White		Black		White															
Closed	Open	Closed	Open	Closed	Open	Closed	Open	Closed	Open														
20	UCPA 204 C 	85601	85603	85618	85619	86738	86805	90244	90245	50,8	70	M8	13	33,2	65	10	28	16,2	34,2	49	12800	6600	2500
25	UCPA 205 C 	85604	85605	85620	85621	88726	90243	90246	90247	50,8	75	M10	13	36,5	72	12	30	18,8	38,3	52	14000	7800	3000

STAINLESS STEEL BEARING AISI 440																							
D	SERIES	CODES								DIMENSIONS (mm)											Bearing load (N)		Bearing support load
		Standard bearing				Long Life bearing				E	A	S	G	H	B	R	W	I	Z	T	C	C0	(N)
		Black		White		Black		White															
Closed	Open	Closed	Open	Closed	Open	Closed	Open	Closed	Open														
20	UCPA 204 C 	85606	85607	85622	85623	90248	90249	90252	90253	50,8	70	M8	13	33,2	65	10	28	16,2	34,2	49	8300	6600	2500
25	UCPA 205 C 	85608	85609	85624	85625	90250	90251	90254	90255	50,8	75	M10	13	36,5	72	12	30	18,8	38,3	52	9150	7800	3000



Compact Pillow Blocks (Solid)

Series **UCPA/CX**

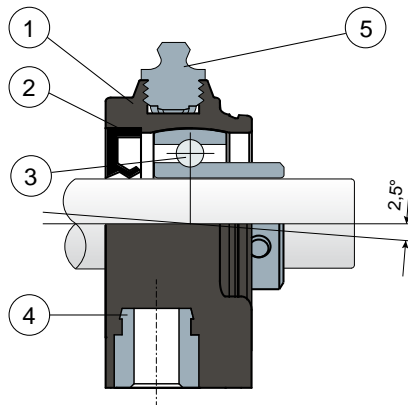


Self-aligning bearings with Solid body: completely closed surface to guarantee the max hygiene.

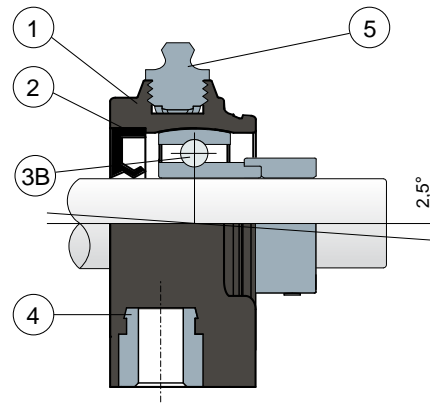


Long Life bearings: life long lubrication.

Grub screws shaft locking - Without protection cover



Eccentric collar shaft locking - Without protection cover



- 1) Housing made out of black, white or blue Ral 5005 colour polyamide reinforced with glass fibers.
- 2) Back gasket made out of NBR rubber for turning shaft seal.
- 3) Chrome steel or stainless steel bearing AISI 440.
- 3B) Chrome steel bearing.
- 4) Bushing made of nickel plated brass.
- 5) Greaser, straight type with 1/8 gas thread, made out of nickel-plated brass (absent in the versions with Long Life bearing).

NOTE: The protection cover can be ordered separately as an accessory; in the Long Life version, the greaser is absent and the lubrication channel is protected by a rubber cap.

Support dimensions respect ISO 3228 set of rules.

Maximum shaft alignment error 2,5°.

For further information please contact our technical office or sales department.

MATERIALS: Housing is made out of PA + glass fiber in black, white or blue Ral 5005 colours; bearing with grub screws shaft locking in chrome steel or stainless steel; bearing with eccentric collar shaft locking in chrome steel; greaser and bushings made out of nickel plated brass; gaskets made out of NBR rubber; cover made out of polypropylene grey Ral 7042, blue Ral 5015, orange Ral 2004 or red Ral 3000 colour.

FEATURES: The protection cover can be ordered separately as an accessory. Assembly with not shouldered shafts. Maximum shaft alignment error 2,5°.

BOX QUANTITY: 8 pieces.

ON REQUEST: Versions with body in polypropylene + glass fiber and antibacterial additive; supports in blue polyamide RAL 5005 FDA APPROVED; protection covers in polypropylene blue Ral 5015 FDA APPROVED; protection covers in different colours and with customized brand; box quantity according to your request; Viton gaskets.



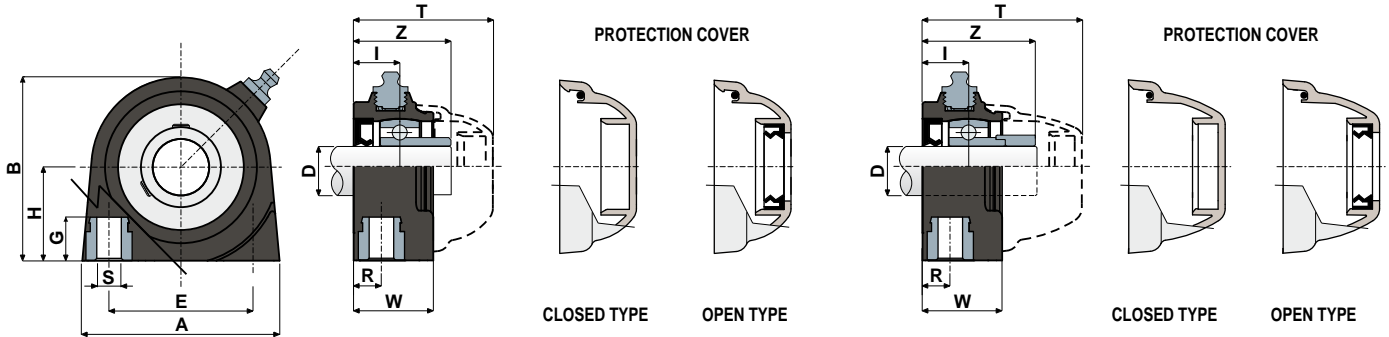
Compact Pillow Blocks (Solid)

Technical data



Series **UCPA/CX**

GRUB SCREWS SHAFT LOCKING



ECCENTRIC COLLAR SHAFT LOCKING





GRUB SCREWS SHAFT LOCKING

D	SERIES	CHROME STEEL BEARING															COVER CODES													
		Support CODES						DIMENSIONS (mm)									Bearing load (N)		Bearing support load		GREY RAL 7042				BLUE RAL 5015		ORANGE RAL 2004		RED RAL 3000	
		Standard bearing			Long Life bearing			E	A	S	G	H	B	R	W	I	Z	T	C	CO	(N)	Closed	Open	Closed	Open	Closed	Open	Closed	Open	
20	UCPA 204 CX 	85610	85626	89259	87583	90256	90258	50,8	70	M8	13	33,2	65	10	28	16,2	34,2	49	12800	6600	2500	80254	80255	87259	83901	82305	82306	87540	87541	
25	UCPA 205 CX 	85611	85627	89260	86815	90257	90259	50,8	75	M10	13	36,5	72	12	30	18,8	38,3	52	14000	7800	3000	80075	80076	85384	85385	82276	82277	87542	87543	

ECCENTRIC COLLAR SHAFT LOCKING

D	SERIES	CHROME STEEL BEARING															COVER CODES						
		Support CODES						DIMENSIONS (mm)									Bearing load (N)		Bearing support load		GREY RAL 7042		
		Standard bearing			Long Life bearing			E	A	S	G	H	B	R	W	I	Z	T	C	CO	(N)	Closed	Open
20	UCPA 204 CX 	88607	88609	89261	90260	90262	90264	50,8	70	M8	13	33,2	65	10	28	16,2	39,7	56	12800	6600	2500	88371	88372
25	UCPA 205 CX 	88608	88610	89262	90261	90263	90265	50,8	75	M10	13	36,5	72	12	30	18,8	42,3	58	14000	7800	3000	88373	88374

GRUB SCREWS SHAFT LOCKING

D	SERIES	STAINLESS STEEL BEARING AISI 440															COVER CODES													
		Support CODES						DIMENSIONS (mm)									Bearing load (N)		Bearing support load		GREY RAL 7042				BLUE RAL 5015		ORANGE RAL 2004		RED RAL 3000	
		Standard bearing			Long Life bearing			E	A	S	G	H	B	R	W	I	Z	T	C	CO	(N)	Closed	Open	Closed	Open	Closed	Open	Closed	Open	
20	UCPA 204 CX 	85612	85628	89263	90266	90268	90270	50,8	70	M8	13	33,2	65	10	28	16,2	34,2	49	8300	6600	2500	80254	80255	87259	83901	82305	82306	87540	87541	
25	UCPA 205 CX 	85613	85629	89220	90267	90269	90271	50,8	75	M10	13	36,5	72	12	30	18,8	38,3	52	9150	7800	3000	80075	80076	85384	85385	82276	82277	87542	87543	



Compact Pillow Blocks (Solid)

Series **UCPA**

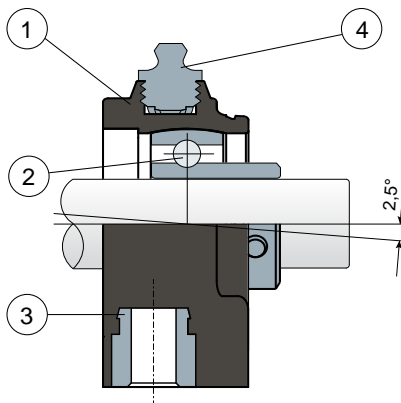


Self-aligning bearings with Solid body: completely closed surface to guarantee the max hygiene.

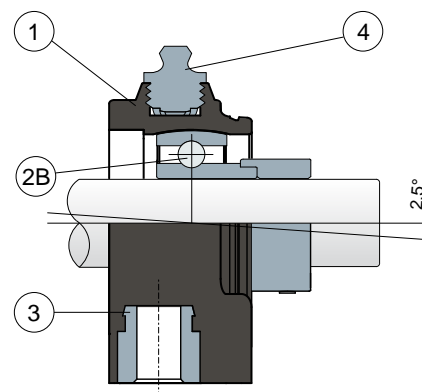


Long Life bearings: life long lubrication.

Grub screws shaft locking - Without cover and back gasket



Eccentric collar shaft locking - Without cover and back gasket



- 1) Housing made out of black, white or blue Ral 5005 colour polyamide reinforced with glass fibers.
- 2) Chrome steel or stainless steel bearing AISI 440.
- 2B) Chrome steel bearing.
- 3) Bushing made of nickel plated brass.
- 4) Greaser, straight type with 1/8 gas thread, made out of nickel-plated brass (absent in the versions with Long Life bearing).

NOTE: The back gasket and the protection cover can be ordered separately as accessories; in the Long Life version, the greaser is absent and the lubrication channel is protected by a rubber cap.

Support dimensions respect ISO 3228 set of rules.

Maximum shaft alignment error 2,5°.

For further information please contact our technical office or sales department.

MATERIALS: Housing is made out of PA + glass fiber in black, white or blue Ral 5005 colours; bearing with grub screws shaft locking in chrome steel or stainless steel; bearing with eccentric collar shaft locking in chrome steel; greaser and bushings made out of nickel plated brass; gaskets made out of NBR rubber; cover made out of polypropylene grey Ral 7042, blue Ral 5015, orange Ral 2004 or red Ral 3000 colour.

FEATURES: The back gasket and the protection cover can be ordered separately as accessories. Assembly with shouldered and not shouldered shafts. Maximum shaft alignment error 2,5°.

BOX QUANTITY: 8 pieces.

ON REQUEST: Versions with body in polypropylene + glass fiber and antibacterial additive; supports in blue polyamide RAL 5005 FDA APPROVED; protection covers in polypropylene blue Ral 5015 FDA APPROVED; protection covers in different colours and with customized brand; box quantity according to your request; Viton gaskets.



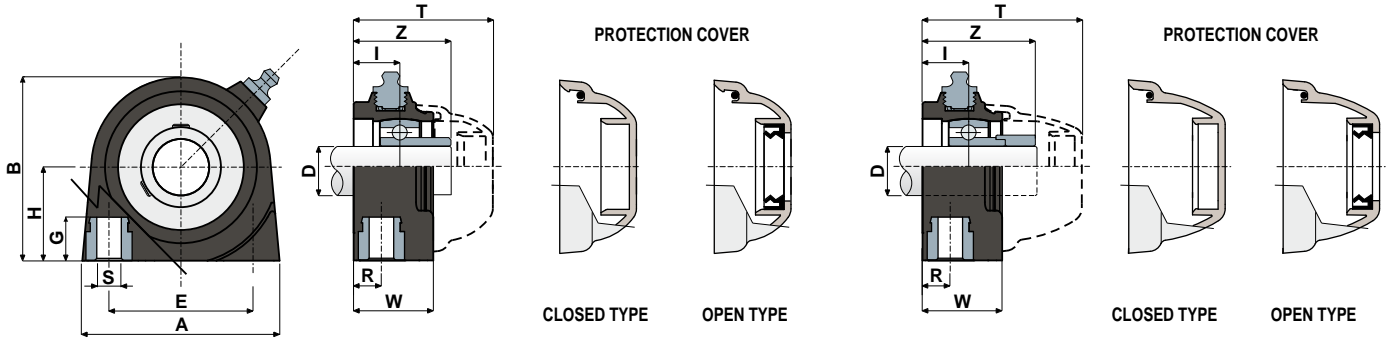
Compact Pillow Blocks (Solid)

Technical data



Series **UCPA**

GRUB SCREWS SHAFT LOCKING



ECCENTRIC COLLAR SHAFT LOCKING





GRUB SCREWS SHAFT LOCKING

D	SERIES	CHROME STEEL BEARING																COVER CODES													
		Support CODES						DIMENSIONS (mm)										Bearing load (N)		Bearing support load		GREY RAL 7042				BLUE RAL 5015		ORANGE RAL 2004		RED RAL 3000	
		Standard bearing			Long Life bearing			E	A	S	G	H	B	R	W	I	Z	T	C	CO	(N)	Closed	Open	Closed	Open	Closed	Open	Closed	Open		
20	UCPA 204 	85614	85630	89264	90272	90274	90276	50,8	70	M8	13	33,2	65	10	28	16,2	34,2	49	12800	6600	2500	80254	80255	87259	83901	82305	82306	87540	87541		
25	UCPA 205 	85615	85631	89265	90273	90275	90277	50,8	75	M10	13	36,5	72	12	30	18,8	38,3	52	14000	7800	3000	80075	80076	85384	85385	82276	82277	87542	87543		

ECCENTRIC COLLAR SHAFT LOCKING

D	SERIES	CHROME STEEL BEARING																COVER CODES					
		Support CODES						DIMENSIONS (mm)										Bearing load (N)		Bearing support load		GREY RAL 7042	
		Standard bearing			Long Life bearing			E	A	S	G	H	B	R	W	I	Z	T	C	CO	(N)	Closed	Open
20	UCPA 204 	88611	88613	89266	90278	90280	90282	50,8	70	M8	13	33,2	65	10	28	16,2	39,7	56	12800	6600	2500	88371	88372
25	UCPA 205 	88612	88614	89267	90279	90281	90283	50,8	75	M10	13	36,5	72	12	30	18,8	42,3	58	14000	7800	3000	88373	88374

GRUB SCREWS SHAFT LOCKING

D	SERIES	STAINLESS STEEL BEARING AISI 440																COVER CODES													
		Support CODES						DIMENSIONS (mm)										Bearing load (N)		Bearing support load		GREY RAL 7042				BLUE RAL 5015		ORANGE RAL 2004		RED RAL 3000	
		Standard bearing			Long Life bearing			E	A	S	G	H	B	R	W	I	Z	T	C	CO	(N)	Closed	Open	Closed	Open	Closed	Open	Closed	Open		
20	UCPA 204 	85616	85632	89268	90284	90286	90288	50,8	70	M8	13	33,2	65	10	28	16,2	34,2	49	8300	6600	2500	80254	80255	87259	83901	82305	82306	87540	87541		
25	UCPA 205 	85617	85633	89269	90285	90287	90289	50,8	75	M10	13	36,5	72	12	30	18,8	38,3	52	9150	7800	3000	80075	80076	85384	85385	82276	82277	87542	87543		



Take-up bearing supports (Solid)

Series **UCT/C**



On request covers in polypropylene blue Ral 5015 colour.



On request covers in polypropylene orange Ral 2004 colour.



On request covers in polypropylene red Ral 3000 colour.

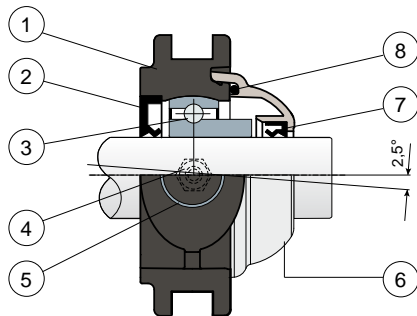


Self-aligning bearings with Solid body: completely closed surface to guarantee the max hygiene.



Long Life bearings: life long lubrication.

Full protection of bearing



- 1) Housing made out of black or white colour polyamide reinforced with glass fibers.
- 2) Back gasket made out of NBR rubber for turning shaft seal.
- 3) Chrome steel or stainless steel bearing AISI 440.
- 4) Greaser, straight type with 1/8 gas thread, made out of nickel-plated brass (absent in the versions with Long Life bearing).
- 5) Bushing made of nickel plated brass.
- 6) Protection cover made out of polypropylene (grey colour Ral 7042).
- 7) Front gasket made out of NBR rubber for turning shaft seal.
- 8) OR gasket made out of NBR rubber.

N.B.: In the Long Life version, the greaser is absent and the lubrication channel is protected by a rubber cap.

Support dimensions respect ISO 3228 set of rules.
Maximum shaft alignment error 2,5°.
For further information please contact our technical office or sales department.

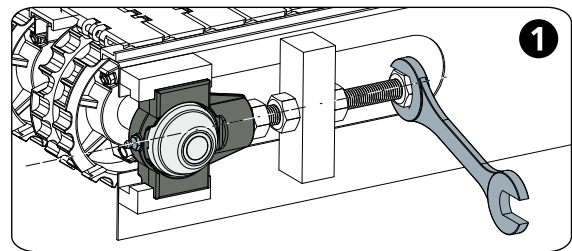
MATERIALS: Housing is made out of PA + glass fiber in black or white colours; chrome steel or stainless steel bearing; greaser and bushings made out of nickel plated brass; gaskets made out of NBR rubber; cover made out of grey RAL 7042 colour polypropylene.

FEATURES: Full protection of bearing against external agents. Assembly with not shouldered shafts. Maximum shaft alignment error 2,5°.

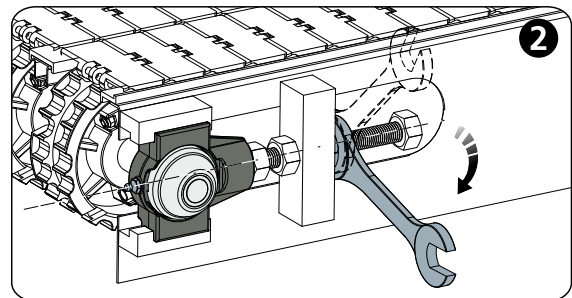
BOX QUANTITY: 8 pieces.

ON REQUEST: Versions with body in polypropylene + glass fiber and antibacterial additive; supports with eccentric collar shaft locking with chrome steel bearing; protection covers in different colours and with customized brand; box quantity according to your request; Viton gaskets.

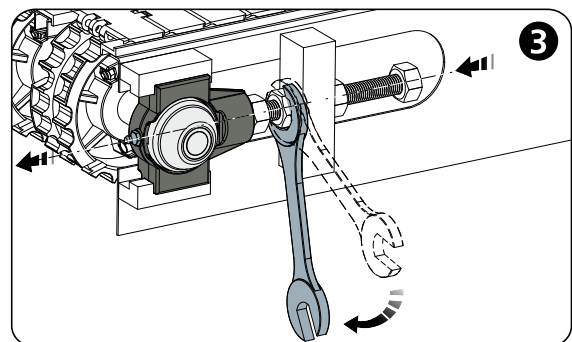
Example of application



Lock the shaft



Unscrew the lock



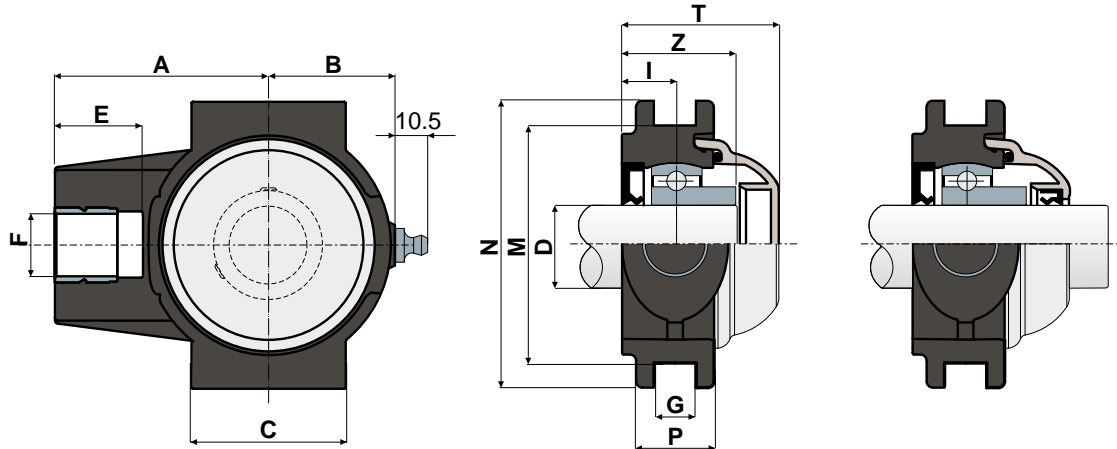
Screw to make the support advance



Take-up bearing supports (Solid)




Technical data




Series **UCT/C**



CLOSED TYPE

OPEN TYPE

CHROME STEEL BEARING																								
D	SERIES	CODES								DIMENSIONS (mm)										Bearing load (N)		Bearing support load		
		Standard bearing				Long Life bearing				A	B	C	E	F	G	I	M	N	P	Z	T	C	CO	(N)
		Black		White		Black	White																	
		Closed	Open	Closed	Open			Closed	Open															
20	UCT 204 C 	85672	85673	85676	85677	90290	90291	90296	90297	63,5	35	50	28	M16	13,5	17	76,2	92	25	35	50	12800	6600	16000
25	UCT 205 C 	86103	86104	86105	86106	90292	90293	90298	90299	68,5	40,5	50	28	M20	13,5	17	76,2	92	25	36,5	50,2	14000	7800	24000
30	UCT 206 C 	86120	86122	86124	86126	90294	90295	90300	90301	77	48	57	28	M24	13,5	18,5	89	104	28	40,5	55,7	19500	11300	27000

STAINLESS STEEL BEARING AISI 440																								
D	SERIES	CODES								DIMENSIONS (mm)										Bearing load (N)		Bearing support load		
		Standard bearing				Long Life bearing				A	B	C	E	F	G	I	M	N	P	Z	T	C	CO	(N)
		Black		White		Black	White																	
		Closed	Open	Closed	Open			Closed	Open															
20	UCT 204 C 	85674	85675	85678	85679	90302	90303	90308	90309	63,5	35	50	28	M16	13,5	17	76,2	92	25	35	50	8300	6600	16000
25	UCT 205 C 	86107	86108	86109	86110	90304	90305	90310	90311	68,5	40,5	50	28	M20	13,5	17	76,2	92	25	36,5	50,2	9150	7800	24000
30	UCT 206 C 	86128	86130	86132	86134	90306	90307	90312	90313	77	48	57	28	M24	13,5	18,5	89	104	28	40,5	55,7	12500	11200	27000



Take-up bearing supports (Solid)

Series **UCT/CX**

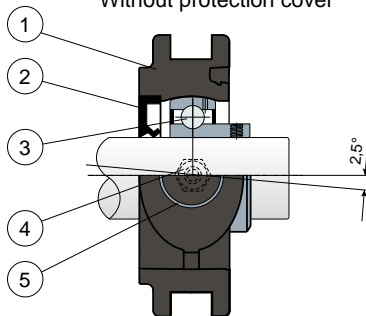


Self-aligning bearings with Solid body: completely closed surface to guarantee the max hygiene.

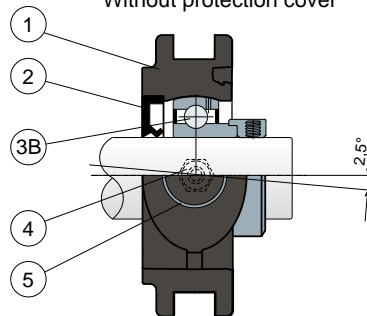


Long Life bearings: life long lubrication.

Grub screws shaft locking
Without protection cover



Eccentric collar shaft locking
Without protection cover



- 1) Housing made out of black, white or blue Ral 5005 colour polyamide reinforced with glass fibers.
- 2) Back gasket made out of NBR rubber for turning shaft seal.
- 3) Chrome steel or stainless steel bearing AISI 440.
- 3B) Chrome steel bearing.
- 4) Greaser, straight type with 1/8 gas thread, made out of nickel-plated brass (absent in the versions with Long Life bearing).
- 5) Bushing made of nickel plated brass.

NOTE: The protection cover can be ordered separately as an accessory; in the Long Life version, the greaser is absent and the lubrication channel is protected by a rubber cap.

Support dimensions respect ISO 3228 set of rules.
Maximum shaft alignment error 2,5°.
For further information please contact our technical office or sales department.

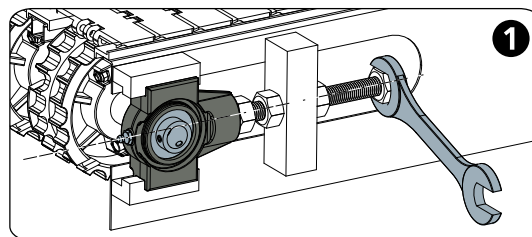
MATERIALS: Housing is made out of PA + glass fiber in black, white or blue Ral 5005 colours; bearing with grub screws shaft locking in chrome steel or stainless steel; bearing with eccentric collar shaft locking in chrome steel; greaser and bushings made out of nickel plated brass; gaskets made out of NBR rubber; cover made out of polypropylene grey Ral 7042, blue Ral 5015, orange Ral 2004 or red Ral 3000 colour.

FEATURES: The protection cover can be ordered separately as an accessory. Assembly with not shouldered shafts. Maximum shaft alignment error 2,5°.

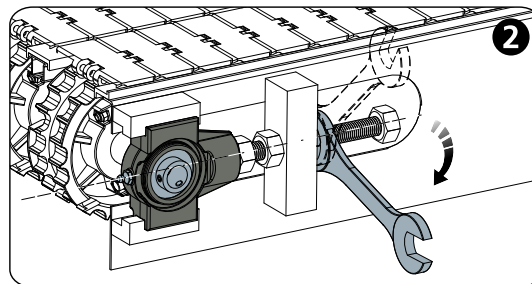
BOX QUANTITY: 8 pieces.

ON REQUEST: Versions with body in polypropylene + glass fiber and antibacterial additive; supports in blue polyamide RAL 5005 FDA APPROVED; protection covers in polypropylene blue Ral 5015 FDA APPROVED; protection covers in different colours and with customized brand; box quantity according to your request; Viton gaskets.

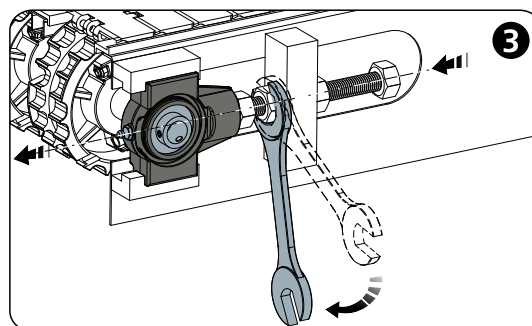
Example of application



Lock the shaft



Unscrew the lock



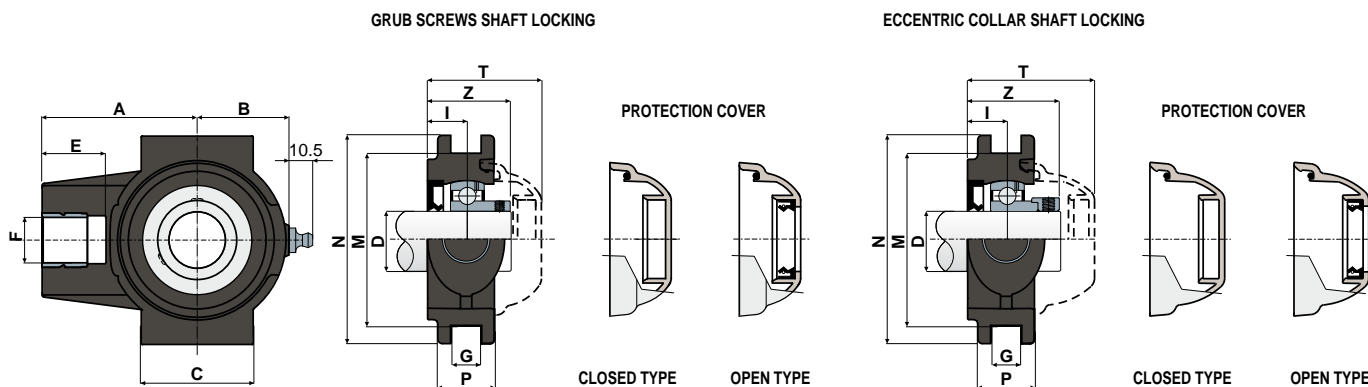
Screw to make the support advance






Take-up bearing supports (Solid)

Technical data


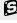

Series **UCT/CX**






GRUB SCREWS SHAFT LOCKING

D	SERIES	CHROME STEEL BEARING																COVER CODES																					
		Support CODES						DIMENSIONS (mm)										Bearing load (N)			Bearing support load			GREY RAL 7042				BLUE RAL 5015				ORANGE RAL 2004				RED RAL 3000			
		Standard bearing			Long Life bearing			A	B	C	E	F	G	I	M	N	P	Z	T	C	CO	(N)	Closed	Open	Closed	Open	Closed	Open	Closed	Open	Closed	Open	Closed	Open					
20	UCT 204 CX 	85680	85682	89270	90314	90316	90319	63,5	35	50	28	M16	13,5	17	76,2	92	25	35	50	12800	6600	16000	80254	80255	87259	83901	82305	82306	87540	87541	82276	82277	87542	87543					
25	UCT 205 CX 	86111	86112	89271	88136	90317	90320	68,5	40,5	50	28	M20	13,5	17	76,2	92	25	36,5	50,2	14000	7800	24000	80075	80076	85384	85385	82276	82277	87542	87543	80011	80053	84100	80354	82278	82279	87531	87530	
30	UCT 206 CX 	86136	86138	89272	90315	90318	90321	77	48	57	28	M24	13,5	18,5	89	104	28	40,5	55,7	19500	11300	27000	80011	80053	84100	80354	82278	82279	87531	87530									

ECCENTRIC COLLAR SHAFT LOCKING

D	SERIES	CHROME STEEL BEARING																COVER CODES						
		Support CODES						DIMENSIONS (mm)										Bearing load (N)			Bearing support load		GREY RAL 7042	
		Standard bearing			Long Life bearing			A	B	C	E	F	G	I	M	N	P	Z	T	C	CO	(N)	Closed	Open
20	UCT 204 CX 	88615	88618	89273	90322	90325	90328	63,5	35	50	28	M16	13,5	17	76,2	92	25	40,5	56,7	12800	6600	16000	88371	88372
25	UCT 205 CX 	88616	88619	89274	90323	90326	90329	68,5	40,5	50	28	M20	13,5	17	76,2	92	25	40,5	56	14000	7800	24000	88373	88374
30	UCT 206 CX 	88617	88620	89275	90324	90327	90330	77	48	57	28	M24	13,5	18,5	89	104	28	45,2	62	19500	11300	27000	88375	88376

GRUB SCREWS SHAFT LOCKING

D	SERIES	STAINLESS STEEL BEARING AISI 440																COVER CODES																				
		Support CODES						DIMENSIONS (mm)										Bearing load (N)			Bearing support load		GREY RAL 7042				BLUE RAL 5015				ORANGE RAL 2004				RED RAL 3000			
		Standard bearing			Long Life bearing			A	B	C	E	F	G	I	M	N	P	Z	T	C	CO	(N)	Closed	Open	Closed	Open	Closed	Open	Closed	Open	Closed	Open						
20	UCT 204 CX 	85681	85683	89276	90331	90334	90337	63,5	35	50	28	M16	13,5	17	76,2	92	25	35	50	8300	6600	16000	80254	80255	87259	83901	82305	82306	87540	87541	82276	82277	87542	87543				
25	UCT 205 CX 	86113	86114	89277	90332	90335	90338	68,5	40,5	50	28	M20	13,5	17	76,2	92	25	36,5	50,2	9150	7800	24000	80075	80076	85384	85385	82276	82277	87542	87543	80011	80053	84100	80354	82278	82279	87531	87530
30	UCT 206 CX 	86140	86142	89278	90333	90336	90339	77	48	57	28	M24	13,5	18,5	89	104	28	40,5	55,7	12500	11200	27000	80011	80053	84100	80354	82278	82279	87531	87530								



Take-up bearing supports (Solid)

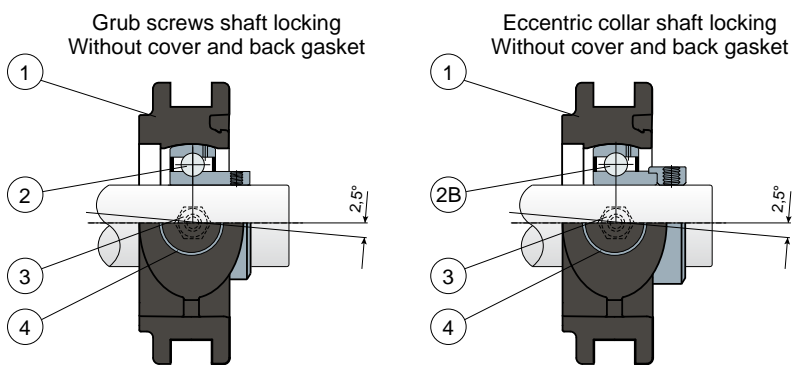
Series **UCT**



Self-aligning bearings with Solid body: completely closed surface to guarantee the max hygiene.



Long Life bearings: life long lubrication.



- 1) Housing made out of black, white or blue Ral 5005 colour polyamide reinforced with glass fibers.
- 2) Chrome steel or stainless steel bearing AISI 440.
- 2B) Chrome steel bearing.
- 3) Greaser, straight type with 1/8 gas thread, made out of nickel-plated brass (absent in the versions with Long Life bearing).
- 4) Bushing made of nickel plated brass.

NOTE: The back gasket and the protection cover can be ordered separately as accessories; in the Long Life version, the greaser is absent and the lubrication channel is protected by a rubber cap.

Support dimensions respect ISO 3228 set of rules.
Maximum shaft alignment error 2,5°.

For further information please contact our technical office or sales department.

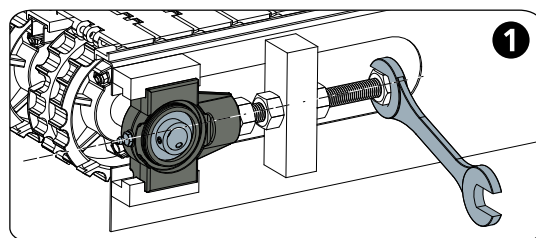
MATERIALS: Housing is made out of PA + glass fiber in black, white or blue Ral 5005 colours; bearing with grub screws shaft locking in chrome steel or stainless steel; bearing with eccentric collar shaft locking in chrome steel; greaser and bushings made out of nickel plated brass; gaskets made out of NBR rubber; cover made out of polypropylene grey Ral 7042, blue Ral 5015, orange Ral 2004 or red Ral 3000 colour.

FEATURES: The back gasket and the protection cover can be ordered separately as accessories. Assembly with shouldered and not shouldered shafts. Maximum shaft alignment error 2,5°.

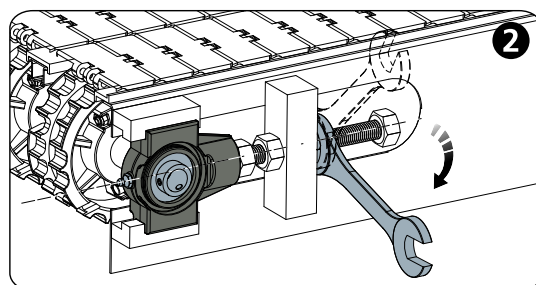
BOX QUANTITY: 8 pieces.

ON REQUEST: Versions with body in polypropylene + glass fiber and antibacterial additive; supports in blue polyamide RAL 5005 FDA APPROVED; protection covers in polypropylene blue Ral 5015 FDA APPROVED; protection covers in different colours and with customized brand; box quantity according to your request; Viton gaskets.

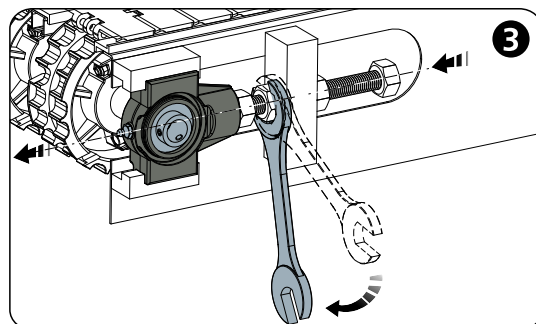
Example of application



Lock the shaft



Unscrew the lock



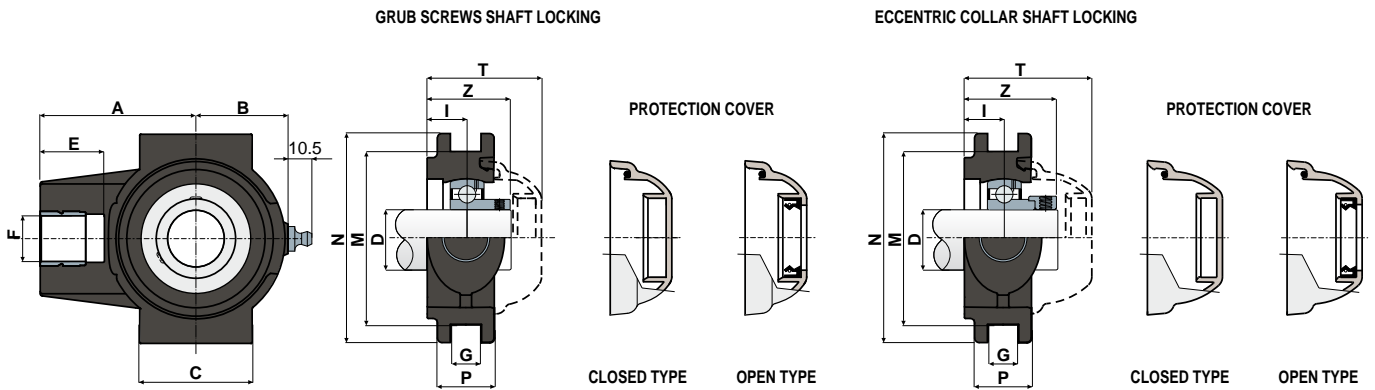
Screw to make the support advance



Take-up bearing supports (Solid)

Technical data

Series **UCT**



GRUB SCREWS SHAFT LOCKING

D	SERIES	CHROME STEEL BEARING																	COVER CODES														
		Support CODES						DIMENSIONS (mm)											Bearing load (N)			Bearing support load		GREY RAL 7042				BLUE RAL 5015		ORANGE RAL 2004		RED RAL 3000	
		Standard bearing			Long Life bearing			A	B	C	E	F	G	I	M	N	P	Z	T	C	CO	(N)	Closed	Open	Closed	Open	Closed	Open	Closed	Open			
20	UCT 204	85684	85686	89279	90340	90343	90346	63,5	35	50	28	M16	13,5	17	76,2	92	25	35	50	12800	6600	16000	80254	80255	87259	83901	82305	82306	87540	87541			
25	UCT 205	86115	86116	89280	90341	90344	90347	68,5	40,5	50	28	M20	13,5	17	76,2	92	25	36,5	50,2	14000	7800	24000	80075	80076	85384	85385	82276	82277	87542	87543			
30	UCT 206	86144	86146	89281	90342	90345	90348	77	48	57	28	M24	13,5	18,5	89	104	28	40,5	55,7	19500	11300	27000	80011	80053	84100	80354	82278	82279	87531	87530			

ECCENTRIC COLLAR SHAFT LOCKING

D	SERIES	CHROME STEEL BEARING															COVER CODES							
		Support CODES						DIMENSIONS (mm)									Bearing load (N)			Bearing support load		GREY RAL 7042		
		Standard bearing			Long Life bearing			A	B	C	E	F	G	I	M	N	P	Z	T	C	CO	(N)	Closed	Open
20	UCT 204	88621	88624	89282	90349	90352	90355	63,5	35	50	28	M16	13,5	17	76,2	92	25	40,5	56,7	12800	6600	16000	88371	88372
25	UCT 205	88622	88625	89283	90350	90353	90356	68,5	40,5	50	28	M20	13,5	17	76,2	92	25	40,5	56	14000	7800	24000	88373	88374
30	UCT 206	88623	88626	89284	90351	90354	90357	77	48	57	28	M24	13,5	18,5	89	104	28	45,2	62	19500	11300	27000	88375	88376

GRUB SCREWS SHAFT LOCKING

D	SERIES	STAINLESS STEEL BEARING AISI 440																	COVER CODES														
		Support CODES						DIMENSIONS (mm)											Bearing load (N)			Bearing support load		GREY RAL 7042				BLUE RAL 5015		ORANGE RAL 2004		RED RAL 3000	
		Standard bearing			Long Life bearing			A	B	C	E	F	G	I	M	N	P	Z	T	C	CO	(N)	Closed	Open	Closed	Open	Closed	Open	Closed	Open			
20	UCT 204	85685	85687	89285	90358	90361	90364	63,5	35	50	28	M16	13,5	17	76,2	92	25	35	50	8300	6600	16000	80254	80255	87259	83901	82305	82306	87540	87541			
25	UCT 205	86117	86118	89286	90359	90362	90365	68,5	40,5	50	28	M20	13,5	17	76,2	92	25	36,5	50,2	9150	7800	24000	80075	80076	85384	85385	82276	82277	87542	87543			
30	UCT 206	86148	86150	89287	90360	90363	90366	77	48	57	28	M24	13,5	18,5	89	104	28	40,5	55,7	12500	11200	27000	80011	80053	84100	80354	82278	82279	87531	87530			



Round flanged bearing supports

Series **UCFC/C**



On request covers in polypropylene blue Ral 5015 colour.



On request covers in polypropylene orange Ral 2004 colour.

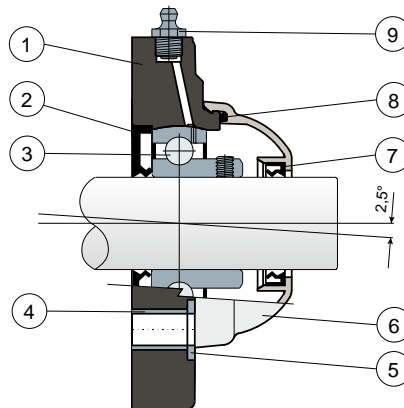


On request covers in polypropylene red Ral 3000 colour.



Long Life bearings: life long lubrication.

Full protection of bearing



- 1) Housing made out of black or white colour polyamide reinforced with glass fibers.
- 2) Back gasket made out of NBR rubber for turning shaft seal.
- 3) Chrome steel or stainless steel bearing AISI 440.
- 4) Spacer for fixing reinforcement made out of stainless steel AISI 304.
- 5) UNI 6592 support washer made out of stainless steel AISI 304.
- 6) Protection cover made out of polypropylene (grey colour Ral 7042).
- 7) Front gasket made out of NBR rubber for turning shaft seal.
- 8) OR gasket made out of NBR rubber.
- 9) Greaser, straight type with 1/8 gas thread, made out of nickel-plated brass (absent in the versions with Long Life bearing).

N.B.: In the Long Life version, the greaser is absent and the lubrication channel is protected by a rubber cap.

Support dimensions respect ISO 3228 set of rules.

Maximum shaft alignment error 2,5°.

For further information please contact our technical office or sales department.

MATERIALS: Housing is made out of PA + glass fiber in black or white colours; chrome steel or stainless steel bearing; greaser made out of nickel plated brass; reinforcement bushings and washers made out of stainless steel AISI 304; gaskets made out of NBR rubber; cover made out of grey RAL 7042 colour polypropylene.

FEATURES: Full protection of bearing against external agents. Assembly with not shouldered shafts. Maximum shaft alignment error 2,5°.

BOX QUANTITY: 8 pieces.

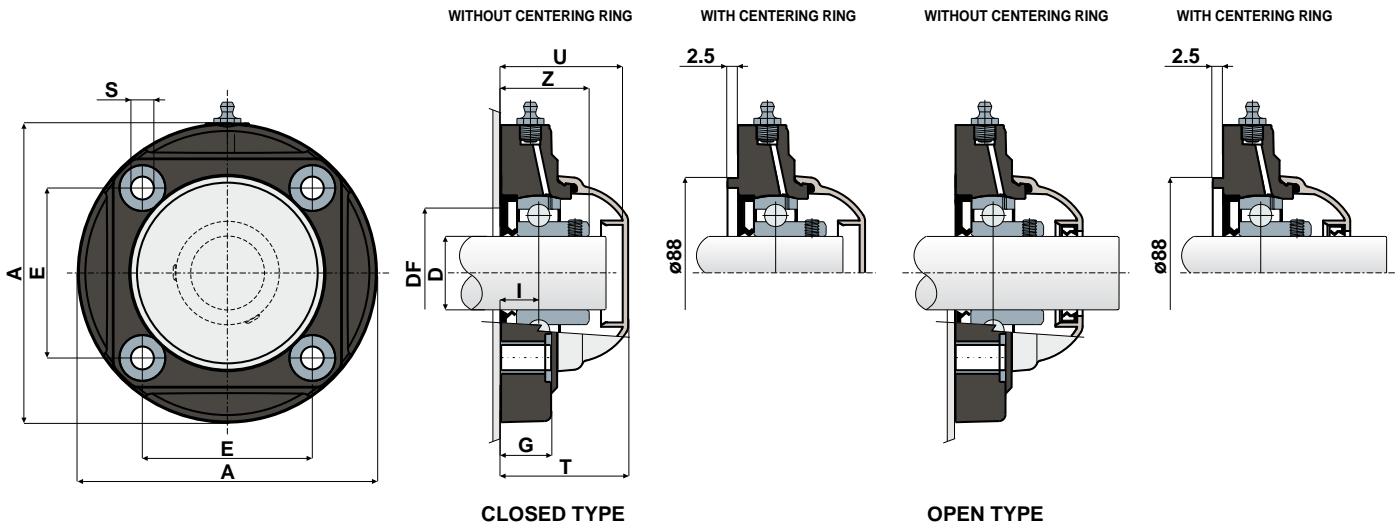
ON REQUEST: Versions with body in polypropylene + glass fiber and antibacterial additive; supports with eccentric collar shaft locking with chrome steel bearing; protection covers in different colours and with customized brand; box quantity according to your request; Viton gaskets.



Round flanged bearing supports

Technical data

Series **UCFC/C**



FLANGE WITHOUT CENTERING RING

CHROME STEEL BEARING																						
D	SERIES	CODES								DIMENSIONS (mm)								Bearing load (N)		Bearing support load		
		Standard bearing				Long Life bearing				E	A	S	G	I	Z	U	T	DF		C	CO	(N)
		Black		White		Black		White										Max	Min			
		Closed	Open	Closed	Open	Closed	Open	Closed	Open													
35	UCFC 207 C	85647	85649	85655	85657	90367	90368	90369	90370	77,8	137	10,5	26	17	40,6	56	58	70	55	25500	15300	19550

STAINLESS STEEL BEARING AISI 440																						
D	SERIES	CODES								DIMENSIONS (mm)								Bearing load (N)		Bearing support load		
		Standard bearing				Long Life bearing				E	A	S	G	I	Z	U	T	DF		C	CO	(N)
		Black		White		Black		White										Max	Min			
		Closed	Open	Closed	Open	Closed	Open	Closed	Open													
35	UCFC 207 C	85651	85653	85659	85661	90371	90372	90373	90374	77,8	137	10,5	26	17	40,6	56	58	70	55	16600	15300	19550

FLANGE WITH CENTERING RING

CHROME STEEL BEARING																						
D	SERIES	CODES								DIMENSIONS (mm)								Bearing load (N)		Bearing support load		
		Standard bearing				Long Life bearing				E	A	S	G	I	Z	U	T	DF		C	CO	(N)
		Black		White		Black		White										Max	Min			
		Closed	Open	Closed	Open	Closed	Open	Closed	Open													
35	UCFC 207 C	86029	86025	86031	86027	90375	90376	90377	90378	77,8	137	10,5	26	17	40,6	56	58	-	-	25500	15300	19550

STAINLESS STEEL BEARING AISI 440																						
D	SERIES	CODES								DIMENSIONS (mm)								Bearing load (N)		Bearing support load		
		Standard bearing				Long Life bearing				E	A	S	G	I	Z	U	T	DF		C	CO	(N)
		Black		White		Black		White										Max	Min			
		Closed	Open	Closed	Open	Closed	Open	Closed	Open													
35	UCFC 207 C	86030	86026	86032	86028	90379	90380	90381	90382	77,8	137	10,5	26	17	40,6	56	58	-	-	16600	15300	19550



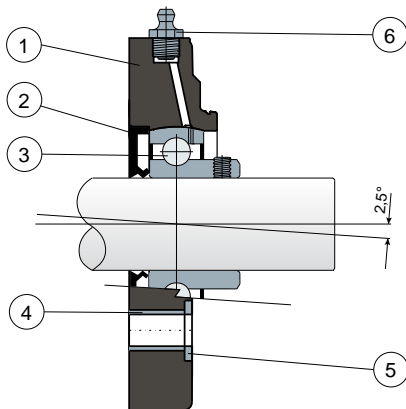
Round flanged bearing supports

Series **UCFC/CX**

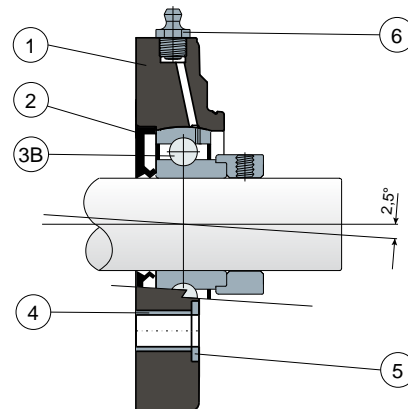


Long Life bearings: life long lubrication.

Grub screws shaft locking - Without protection cover



Eccentric collar shaft locking - Without protection cover



- 1) Housing made out of black or white colour polyamide reinforced with glass fibers.
- 2) Back gasket made out of NBR rubber for turning shaft seal.
- 3) Chrome steel or stainless steel bearing AISI 440.
- 3B) Chrome steel bearing.
- 4) Spacer for fixing reinforcement made out of stainless steel AISI 304.
- 5) UNI 6592 support washer made out of stainless steel AISI 304.
- 6) Greaser, straight type with 1/8 gas thread, made out of nickel-plated brass (absent in the versions with Long Life bearing).

NOTE: The protection cover can be ordered separately as an accessory; in the Long Life version, the greaser is absent and the lubrication channel is protected by a rubber cap.

Support dimensions respect ISO 3228 set of rules.

Maximum shaft alignment error 2,5°.

For further information please contact our technical office or sales department.

MATERIALS: Housing is made out of PA + glass fiber in black or white colours; bearing with grub screws shaft locking in chrome steel or stainless steel; bearing with eccentric collar shaft locking in chrome steel; greaser made out of nickel plated brass; reinforcement bushings and washers made out of stainless steel AISI 304; gaskets made out of NBR rubber; cover made out of polypropylene grey Ral 7042, blue Ral 5015, orange Ral 2004 or red Ral 3000 colour.

FEATURES: The protection cover can be ordered separately as an accessory. Assembly with not shouldered shafts. Maximum shaft alignment error 2,5°.

BOX QUANTITY: 8 pieces.

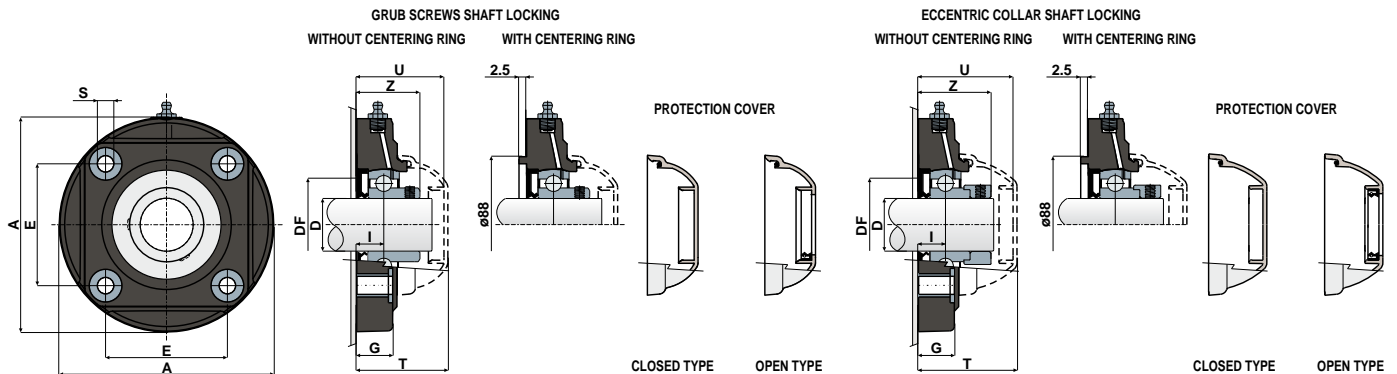
ON REQUEST: Versions with body in polypropylene + glass fiber and antibacterial additive; protection covers in different colours and with customized brand; protection covers in polypropylene blue Ral 5015 FDA APPROVED; box quantity according to your request; Viton gaskets.



Round flanged bearing supports

Technical data

Series **UCFC/CX**



GRUB SCREWS SHAFT LOCKING - FLANGE WITHOUT CENTERING RING

CHROME STEEL BEARING															COVER CODES													
D	SERIES	Support CODES				DIMENSIONS (mm)										Bearing load (N)			Bearing support load		GREY RAL 7042		BLUE RAL 5015		ORANGE RAL 2004		RED RAL 3000	
		Standard bearing		Long Life bearing		E	A	S	G	I	Z	U	T	DF		C	CO	(N)	Closed	Open	Closed	Open	Closed	Open				
		Black	White	Black	White									Max	Min													
35	UCFC 207 CX	85663	85666	90383	90384	77,8	137	10,5	26	17	40,6	56	58	70	55	25500	15300	19550	80077	80078	80969	80275	82284	82285	87544	87545		

STAINLESS STEEL BEARING AISI 440															COVER CODES													
D	SERIES	Support CODES				DIMENSIONS (mm)										Bearing load (N)			Bearing support load		GREY RAL 7042		BLUE RAL 5015		ORANGE RAL 2004		RED RAL 3000	
		Standard bearing		Long Life bearing		E	A	S	G	I	Z	U	T	DF		C	CO	(N)	Closed	Open	Closed	Open	Closed	Open	Closed	Open		
		Black	White	Black	White									Max	Min													
35	UCFC 207 CX	85665	85667	90385	90386	77,8	137	10,5	26	17	40,6	56	58	70	55	16600	15300	19550	80077	80078	80969	80275	82284	82285	87544	87545		

GRUB SCREWS SHAFT LOCKING - FLANGE WITH CENTERING RING

CHROME STEEL BEARING															COVER CODES													
D	SERIES	Support CODES				DIMENSIONS (mm)										Bearing load (N)			Bearing support load		GREY RAL 7042		BLUE RAL 5015		ORANGE RAL 2004		RED RAL 3000	
		Standard bearing		Long Life bearing		E	A	S	G	I	Z	U	T	DF		C	CO	(N)	Closed	Open	Closed	Open	Closed	Open	Closed	Open		
		Black	White	Black	White									Max	Min													
35	UCFC 207 CX	86033	86035	90387	90388	77,8	137	10,5	26	17	40,6	56	58	-	-	25500	15300	19550	80077	80078	80969	80275	82284	82285	87544	87545		

STAINLESS STEEL BEARING AISI 440															COVER CODES													
D	SERIES	Support CODES				DIMENSIONS (mm)										Bearing load (N)			Bearing support load		GREY RAL 7042		BLUE RAL 5015		ORANGE RAL 2004		RED RAL 3000	
		Standard bearing		Long Life bearing		E	A	S	G	I	Z	U	T	DF		C	CO	(N)	Closed	Open	Closed	Open	Closed	Open	Closed	Open		
		Black	White	Black	White									Max	Min													
35	UCFC 207 CX	86034	86036	89214	90389	77,8	137	10,5	26	17	40,6	56	58	-	-	16600	15300	19550	80077	80078	80969	80275	82284	82285	87544	87545		

ECCENTRIC COLLAR SHAFT LOCKING - FLANGE WITHOUT CENTERING RING

CHROME STEEL BEARING															COVER CODES							
D	SERIES	Support CODES				DIMENSIONS (mm)										Bearing load (N)			Bearing support load		GREY RAL 7042	
		Standard bearing		Long Life bearing		E	A	S	G	I	Z	U	T	DF		C	CO	(N)	Closed	Open		
		Black	White	Black	White									Max	Min							
35	UCFC 207 CX	88706	88707	90390	90391	77,8	137	10,5	26	17	46,7	60,8	63,3	70	55	25500	15300	19550	88377	88378		

ECCENTRIC COLLAR SHAFT LOCKING - FLANGE WITH CENTERING RING

CHROME STEEL BEARING															COVER CODES							
D	SERIES	Support CODES				DIMENSIONS (mm)										Bearing load (N)			Bearing support load		GREY RAL 7042	
		Standard bearing		Long Life bearing		E	A	S	G	I	Z	U	T	DF		C	CO	(N)	Closed	Open		
		Black	White	Black	White									Max	Min							
35	UCFC 207 CX	88708	88709	90392	90393	77,8	137	10,5	26	17	46,7	60,8	63,3	-	-	25500	15300	19550	88377	88378		



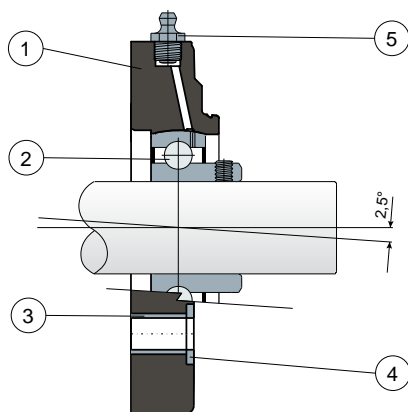
Round flanged bearing supports

Series **UCFC**

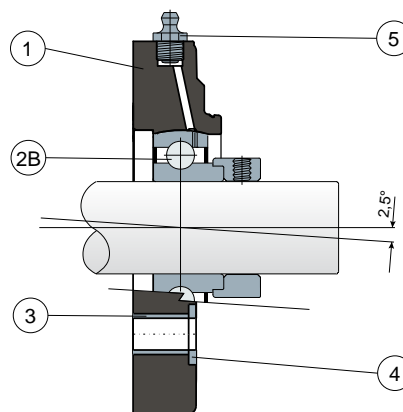


Long Life bearings: life long lubrication.

Grub screws shaft locking - Without cover and back gasket



Eccentric collar shaft locking - Without cover and back gasket



- 1) Housing made out of black or white colour polyamide reinforced with glass fibers.
- 2) Chrome steel or stainless steel bearing AISI 440.
- 2B) Chrome steel bearing.
- 3) Spacer for fixing reinforcement made out of stainless steel AISI 304.
- 4) UNI 6592 support washer made out of stainless steel AISI 304.
- 5) Greaser, straight type with 1/8 gas thread, made out of nickel-plated brass (absent in the versions with Long Life bearing).

NOTE: The back gasket and the protection cover can be ordered separately as accessories; in the Long Life version, the greaser is absent and the lubrication channel is protected by a rubber cap.

Support dimensions respect ISO 3228 set of rules.

Maximum shaft alignment error 2,5°.

For further information please contact our technical office or sales department.

MATERIALS: Housing is made out of PA + glass fiber in black or white colours; bearing with grub screws shaft locking in chrome steel or stainless steel; bearing with eccentric collar shaft locking in chrome steel; greaser made out of nickel plated brass; reinforcement bushings and washers made out of stainless steel AISI 304; gaskets made out of NBR rubber; cover made out of polypropylene grey Ral 7042, blue Ral 5015, orange Ral 2004 or red Ral 3000 colour.

FEATURES: The back gasket and the protection cover can be ordered separately as accessories. Assembly with shouldered and not shouldered shafts. Maximum shaft alignment error 2,5°.

BOX QUANTITY: 8 pieces.

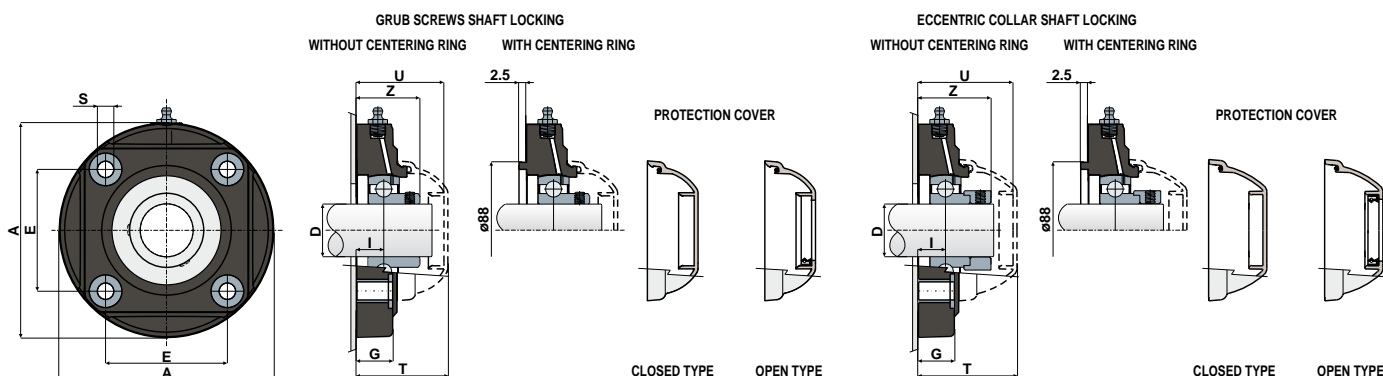
ON REQUEST: Versions with body in polypropylene + glass fiber and antibacterial additive; protection covers in different colours and with customized brand; protection covers in polypropylene blue Ral 5015 FDA APPROVED; box quantity according to your request; Viton gaskets.



Round flanged bearing supports

Technical data

Series **UCFC**



GRUB SCREWS SHAFT LOCKING - FLANGE WITHOUT CENTERING RING

		CHROME STEEL BEARING											COVER CODES											
D	SERIES	Support CODES				DIMENSIONS (mm)								Bearing load (N)		Bearing support load		GREY RAL 7042	BLUE RAL 5015	ORANGE RAL 2004	RED RAL 3000			
		Standard bearing		Long Life bearing		E	A	S	G	I	Z	U	T	C	CO	(N)	Closed	Open	Closed	Open	Closed	Open		
		Black	White	Black	White																			
35	UCFC 207	85668	85670	87641	90394	77,8	137	10,5	26	17	40,6	56	58	25500	15300	19550	80077	80078	80969	80275	82284	82285	87544	87545

		STAINLESS STEEL BEARING AISI 440											COVER CODES											
D	SERIES	Support CODES				DIMENSIONS (mm)								Bearing load (N)		Bearing support load		GREY RAL 7042	BLUE RAL 5015	ORANGE RAL 2004	RED RAL 3000			
		Standard bearing		Long Life bearing		E	A	S	G	I	Z	U	T	C	CO	(N)	Closed	Open	Closed	Open	Closed	Open		
		Black	White	Black	White																			
35	UCFC 207	85669	85671	90395	90396	77,8	137	10,5	26	17	40,6	56	58	16600	15300	19550	80077	80078	80969	80275	82284	82285	87544	87545

GRUB SCREWS SHAFT LOCKING - FLANGE WITH CENTERING RING

		CHROME STEEL BEARING											COVER CODES											
D	SERIES	Support CODES				DIMENSIONS (mm)								Bearing load (N)		Bearing support load		GREY RAL 7042	BLUE RAL 5015	ORANGE RAL 2004	RED RAL 3000			
		Standard bearing		Long Life bearing		E	A	S	G	I	Z	U	T	C	CO	(N)	Closed	Open	Closed	Open	Closed	Open		
		Black	White	Black	White																			
35	UCFC 207	86021	86023	90397	90398	77,8	137	10,5	26	17	40,6	56	58	25500	15300	19550	80077	80078	80969	80275	82284	82285	87544	87545

		STAINLESS STEEL BEARING AISI 440											COVER CODES											
D	SERIES	Support CODES				DIMENSIONS (mm)								Bearing load (N)		Bearing support load		GREY RAL 7042	BLUE RAL 5015	ORANGE RAL 2004	RED RAL 3000			
		Standard bearing		Long Life bearing		E	A	S	G	I	Z	U	T	C	CO	(N)	Closed	Open	Closed	Open	Closed	Open		
		Black	White	Black	White																			
35	UCFC 207	86022	86024	90399	90400	77,8	137	10,5	26	17	40,6	56	58	16600	15300	19550	80077	80078	80969	80275	82284	82285	87544	87545

ECCENTRIC COLLAR SHAFT LOCKING - FLANGE WITHOUT CENTERING RING

		CHROME STEEL BEARING											COVER CODES					
D	SERIES	Support CODES				DIMENSIONS (mm)								Bearing load (N)		Bearing support load		GREY RAL 7042
		Standard bearing		Long Life bearing		E	A	S	G	I	Z	U	T	C	CO	(N)	Closed	Open
		Black	White	Black	White													
35	UCFC 207	88710	88711	90401	90402	77,8	137	10,5	26	17	46,7	60,8	63,3	25500	15300	19550	88377	88378

ECCENTRIC COLLAR SHAFT LOCKING - FLANGE WITH CENTERING RING

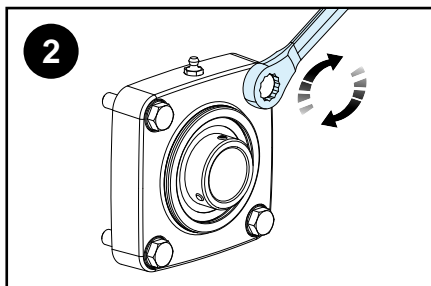
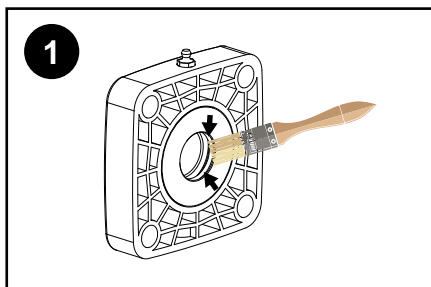
		CHROME STEEL BEARING											COVER CODES					
D	SERIES	Support CODES				DIMENSIONS (mm)								Bearing load (N)		Bearing support load		GREY RAL 7042
		Standard bearing		Long Life bearing		E	A	S	G	I	Z	U	T	C	CO	(N)	Closed	Open
		Black	White	Black	White													
35	UCFC 207	88712	88713	90403	90404	77,8	137	10,5	26	17	46,7	60,8	63,3	25500	15300	19550	88377	88378



Mounting specifications

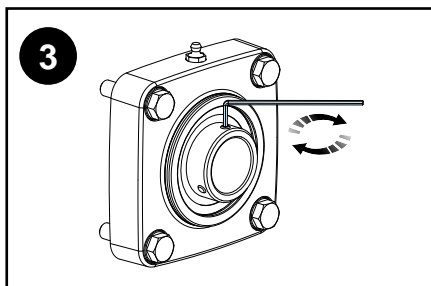
General warnings:

1. With bearings equipped with back rubber sealing, fill the space between the two lips of the gasket with grease.
2. For all support types: firstly fix the flange, then tighten the bearing in order to avoid axial pre-loads and ensure the correct position of the bearing on the shaft. Tighten the screws diagonally (maximum recommended tightening torque for M10 screws: 5 kgm).



Locking of the bearing by grub screws:

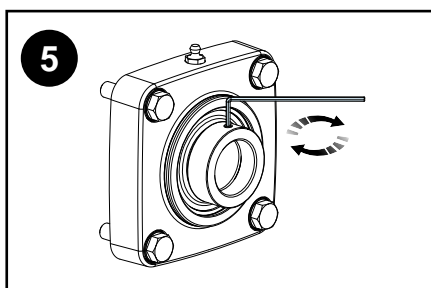
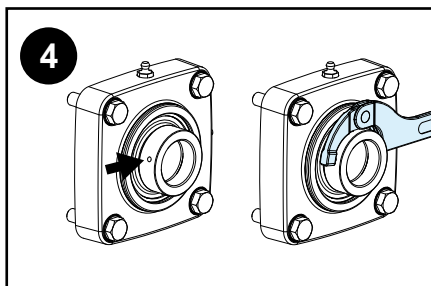
3. By using a hex key, screw the grub screws on the bearing; the table shows the recommended maximum tightening couples for the grub screws and the size of the hexagonal to use.



Bearings with grub screws		
Ø Bearing hole (mm)	Hex key dimensions (mm)	Max tightening couple (Nm)
20	3	4
25	3	4
30	3	4
35	3	4
40	4	6,5

Locking of the bearings by eccentric collar:

4. Using the appropriate hole on the collar, rotate it in the main rotation direction using a hook wrench.
5. By using a hex key, screw the grub screws on the bearing; the table shows the recommended maximum tightening couples for the grub screws and the size of the hexagonal to use.



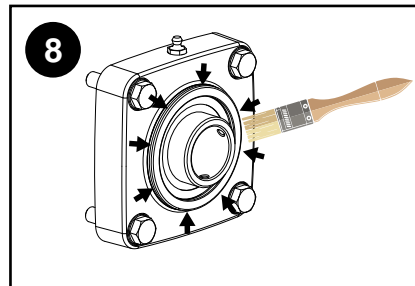
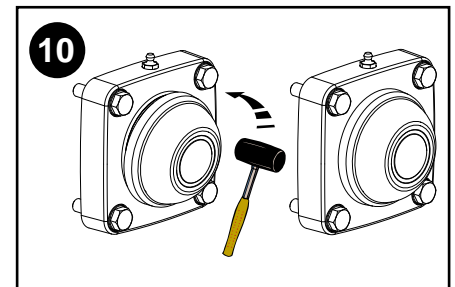
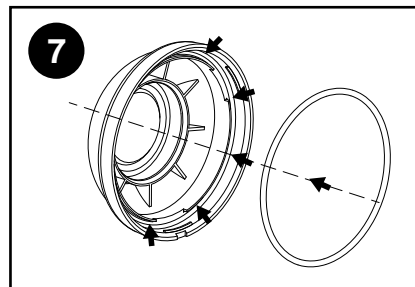
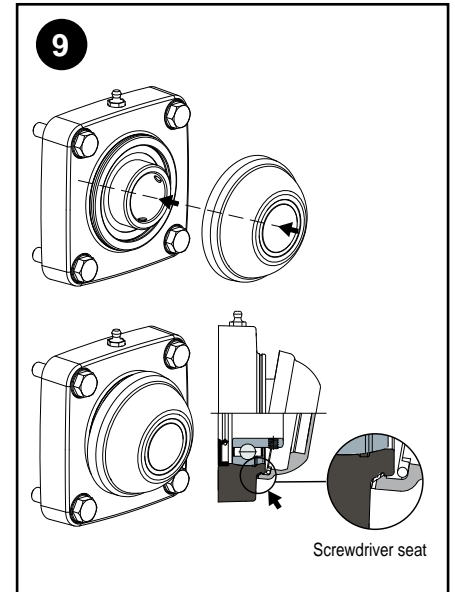
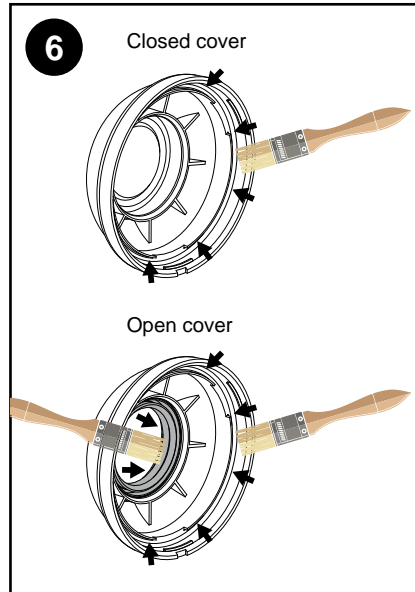
Bearings with eccentric collar		
Ø Bearing hole (mm)	Hex key dimensions (mm)	Max tightening couple (Nm)
20	3	4
25	3	4
30	3	4
35	4	6,5
40	4	6,5



Mounting specifications

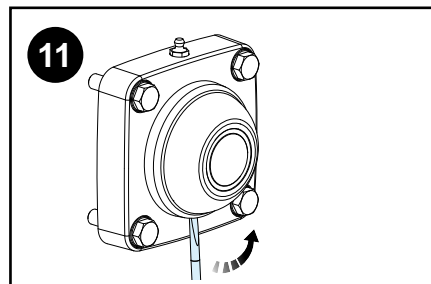
Assembly of the protection cover:

6. On the back of the cover, grease the seat of the sealing gasket (OR) along its entire circumference. In open type covers, the space between the two lips of the sealing ring must also be greased.
7. Insert the gasket into its seat.
8. On the body of the support, grease the edge of the cover attachment along its entire circumference.
9. Position the lower edge of the cover on the body of the support, keeping the screwdriver seat facing downwards. By mounting the cover with the screwdriver seat facing downwards prevents the infiltration of liquids and facilitates their expulsion in the event of stagnation.
10. Apply a little pressure (by hand or with a small hammer) near the upper edge of the cover until it clicks into its seat.



Removal of the protection cover:





11. Insert the tip of a flat screwdriver into the appropriate seat on the cover; then lever it outwards.







Supporting and levelling components

Part.	Pag.	Part.	Pag.
1	281	98	303
2	282	99	307
3	281	101	311
4	282	103	318
10	286	104	300
15	287	107	310
18 pa	283	108	317
18	288	109	314
25 pa	284	110	321
25	290	111	313
27 pa	283	112	320
27	289	113	309
38 pa	284	114	316
38	291	115	308
45	292	116	330
64 mm	324	117	330
64 inches	326	118	285
68 mm	327	119	319
68 inches	329	120	312
79	295	121	330
81	301	122	294
82	323	123	301
87	296	124	299
89	297	125	315
92	293	126	322
93	298	127	300
94	304	128	300
95	305	129	308
96	302	130	329
97	306		

Fixed feet

<p>wrench 25</p>  <p>Part. 1 pag. 281</p>	<p>Ø 40</p>  <p>Part. 3 pag. 281</p>	<p>Ø 25</p>  <p>Part. 2 pag. 282</p>	<p>Ø 40</p>  <p>Part. 4 pag. 282</p>
--	---	--	---

PA articulated feet

<p>Ø 60</p>  <p>Part. 18 pa pag. 283</p>	<p>60x95</p>  <p>Part. 27 pa pag. 283</p>	<p>Ø 80</p>  <p>Part. 25 pa pag. 284</p>	<p>Ø 102</p>  <p>Part. 38 pa pag. 284</p>
---	--	--	--

Articulated feet

<p>Ø 30</p>  <p>Part. 118 pag. 285</p>	<p>Ø 40</p>  <p>Part. 10 pag. 286</p>	<p>Ø 50</p>  <p>Part. 15 pag. 287</p>	<p>Ø 60</p>  <p>Part. 18 pag. 288</p>
<p>60x95</p>  <p>Part. 27 pag. 289</p>	<p>Ø 80</p>  <p>Part. 25 pag. 290</p>	<p>Ø 102</p>  <p>Part. 38 pag. 291</p>	<p>Ø 124</p>  <p>Part. 45 pag. 292</p>
<p>Ø 122</p>  <p>Part. 92 pag. 293</p>	<p>Ø 150</p>  <p>Part. 122 pag. 294</p>		








Adjustable feet

 Part. 79 pag. 295	 Part. 87 pag. 296	 Part. 89 pag. 297	 Part. 93 pag. 298	 Part. 124 pag. 299
 Part. 81 pag. 301	 Part. 123 pag. 301	 Part. 96 pag. 302	 Part. 98 pag. 303	 Part. 94 pag. 304
 Part. 95 pag. 305	 Part. 97 pag. 306	 Part. 99 pag. 307	 Part. 129 pag. 308	

Accessories for supporting and levelling components

 Part. 104 pag. 300	 Part. 127 pag. 300	 Part. 128 pag. 300
---	---	--

Articulated feet, sanitizable

 Part. 113 pag. 309	 Part. 107 pag. 310	 Part. 101 pag. 311	 Part. 120 pag. 312
 Part. 111 pag. 313	 Part. 109 pag. 314	 Part. 125 pag. 315	

Adjustable feet, sanitizable

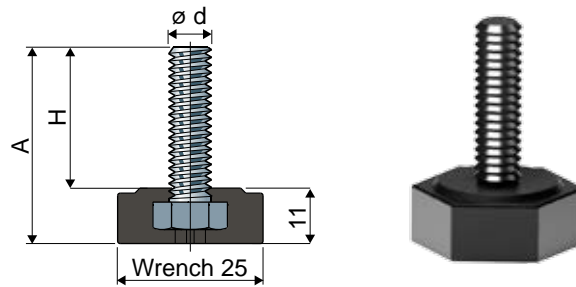
 <p>Ø 78</p> <p>Part. 115 pag. 308</p>	 <p>Ø 55</p> <p>Part. 114 pag. 316</p>	 <p>Ø 55</p> <p>Part. 114 pag. 316</p>	 <p>Ø 75</p> <p>Part. 108 pag. 317</p>
 <p>Ø 75</p> <p>Part. 108 pag. 317</p>	 <p>Ø 95</p> <p>Part. 103 pag. 318</p>	 <p>Ø 95</p> <p>Part. 103 pag. 318</p>	 <p>65x96</p> <p>Part. 119 pag. 319</p>
 <p>65x96</p> <p>Part. 119 pag. 319</p>	 <p>95x130</p> <p>Part. 112 pag. 320</p>	 <p>95x130</p> <p>Part. 112 pag. 320</p>	 <p>Ø 120</p> <p>Part. 110 pag. 321</p>
 <p>Ø 120</p> <p>Part. 110 pag. 321</p>	 <p>Ø 150</p> <p>Part. 126 pag. 322</p>	 <p>Ø 150</p> <p>Part. 126 pag. 322</p>	

Bushings

 <p>Part. 82 pag. 323</p>	<p>sizes in mm</p>  <p>Part. 64 pag. 324</p>	<p>sizes in inches</p>  <p>Part. 64 pag. 326</p>	<p>sizes in mm</p>  <p>Part. 68 pag. 327</p>
<p>sizes in inches</p>  <p>Part. 68 pag. 329</p>	 <p>Part. 130 pag. 329</p>	 <p>Part. 116 pag. 330</p>	 <p>Part. 117 pag. 330</p>
 <p>Part. 121 pag. 330</p>			

Fixed feet

(co-moulded)

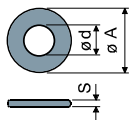
wrench **25** Part. **1**

Spindle measures in mm			Spindle in zinc plated steel	Max static load
$\varnothing d$	A	H	Code	(N)
M8x1,25	38	27	1 / 82880	6000

Base material: Reinforced polyamide black colour.

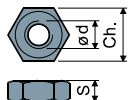
Box quantity: 24 pieces.

Washers UNI 6592-69 - Box quantity: 24 pieces.



$\varnothing M$	M8
Smm	1,6
$\varnothing A$ mm	17
Zinc plated steel codes	7636

Nuts UNI 5588-65 - Box quantity: 24 pieces.

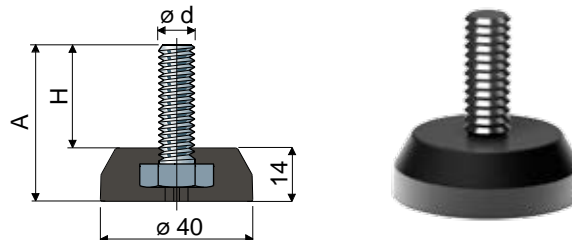


$\varnothing d$	M8
Smm	6,5
Ch. mm	13
Zinc plated steel codes	7634

On request

- Bases: In reinforced polypropylene (maximum static load is reduced to 1/3 compared to that with polyamide base) • other colours.
- Rod: In stainless steel AISI 304.
- Box quantity: According to your request.

$\varnothing 40$ Part. 3

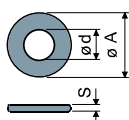


Spindle measures in mm			Spindle in zinc plated steel	Max static load
$\varnothing d$	A	H	Code	(N)
M10x1,5	40	26	3 / 82886	7000

Base material: Reinforced polyamide black colour.

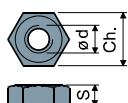
Box quantity: 24 pieces.

Washers UNI 6592-69 - Box quantity: 24 pieces.



$\varnothing M$	M10
Smm	2
$\varnothing A$ mm	21
Zinc plated steel codes	7283

Nuts UNI 5588-65 - Box quantity: 24 pieces.



$\varnothing d$	M10
Smm	8
Ch. mm	17
Zinc plated steel codes	7269

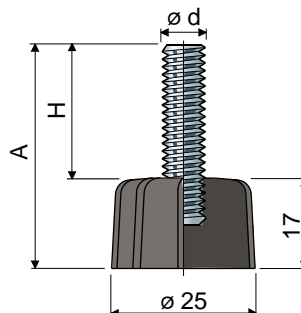
On request

- Bases: In reinforced polypropylene (maximum static load is reduced to 1/3 compared to that with polyamide base) • other colours.
- Rod: In stainless steel AISI 304.
- Box quantity: According to your request.

Fixed feet

(base in reinforced polyamide)

Part. 2 $\varnothing 25$

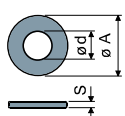


Spindle measures in mm			Spindle material		Max static load (N)
$\varnothing d$	A	H	Zinc plated steel Code	Stainless steel AISI 304 Code	
M8x1,25	40	23	2 / 7702	2 / 7703	4000
	50	33	2 / 7706	2 / 7707	
M10x1,5	40	23	2 / 7712	2 / 7713	5000
	50	33	2 / 7716	2 / 7717	
M12x1,75	75	58	2 / 80156	2 / 80157	6000

Base material: Reinforced polyamide black colour.

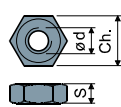
Box quantity: 24 pieces.

Washers UNI 6592-69 - Box quantity: 24 pieces.



$\varnothing M$	M8	M10	M12
Smm	1,6	2	2,5
$\varnothing A$ mm	17	21	24
Zinc plated steel codes	7636	7283	7284
Stainless steel codes	7637	7286	7287

Nuts UNI 5588-65 - Box quantity: 24 pieces.

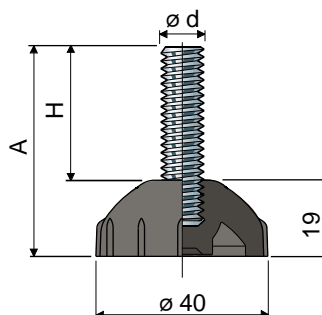


$\varnothing d$	M8	M10	M12
Smm	6,5	8	10
Ch. mm	13	17	19
Zinc plated steel codes	7634	7269	7270
Stainless steel codes	7635	7272	7273

On request

- Bases: In reinforced polypropylene (maximum static load is reduced to 1/3 compared to that with polyamide base) • other colours.
- Assembling of: Nuts • washers.
- Box quantity: According to your request.

Part. 4 $\varnothing 40$



Spindle measures in mm			Spindle material		Max static load (N)
$\varnothing d$	A	H	Zinc plated steel Code	Stainless steel AISI 304 Code	
M8x1,25	40	21	4 / 7722	4 / 7723	4000
	50	31	4 / 7726	4 / 7727	
M10x1,5	40	21	4 / 7732	4 / 7733	5000
	50	31	4 / 7736	4 / 7737	
M12x1,75	75	56	4 / 80158	4 / 80159	6000

Base material: Reinforced polyamide black colour.

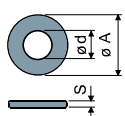
Box quantity: 24 pieces.

Accessories

Anti-slip pads:

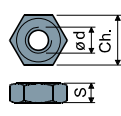
- code: 7263;
- material: thermoplastic rubber 68 Shore black colour;
- box quantity: 24 pieces.

Washers UNI 6592-69 - Box quantity: 24 pieces.



$\varnothing M$	M8	M10	M12
Smm	1,6	2	2,5
$\varnothing A$ mm	17	21	24
Zinc plated steel codes	7636	7283	7284
Stainless steel codes	7637	7286	7287

Nuts UNI 5588-65 - Box quantity: 24 pieces.



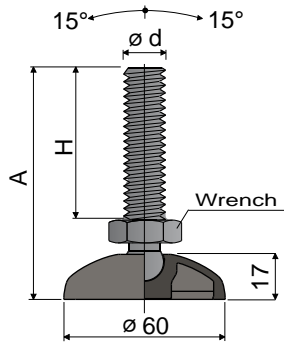
$\varnothing d$	M8	M10	M12
Smm	6,5	8	10
Ch. mm	13	17	19
Zinc plated steel codes	7634	7269	7270
Stainless steel codes	7635	7272	7273

On request

- Bases: In reinforced polypropylene (maximum static load is reduced to 1/3 compared to that with polyamide base) • other colours.
- Assembling of: Anti-slip pads • nuts • washers.
- Box quantity: According to your request.

PA articulated feet

(in reinforced polyamide)



Ø 60 Part. 18

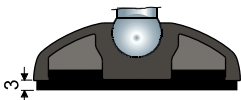
Spindle measures in mm				Spindle and base in reinforced polyamide Code	Max static load (N)
ø d	A	H	Wrench		
M16x2	101	67	24	18 / 7627	7000
M20x2,5	174	140	24	18 / 80160	7500

Spindle and base material: Reinforced polyamide black colour.
Box quantity: 24 pieces.

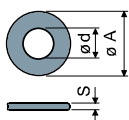
Accessories

Anti-slip pads:

- code: 7265;
- material: thermoplastic rubber 68 Shore black colour;
- box quantity: 24 pieces.

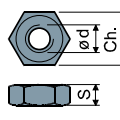


Washers UNI 6592-69 - Box quantity: 24 pieces.



ø M	M16	M20
Smm	3	3
ø A mm	30	37
Zinc plated steel codes	7289	7290
Stainless steel codes	7291	7292

Nuts UNI 5588-65 - Box quantity: 24 pieces.

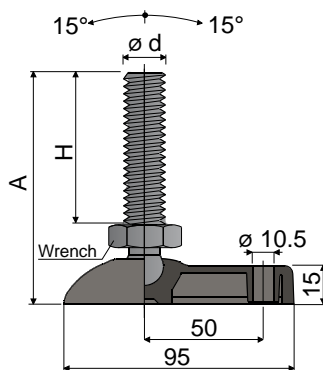


ø d	M16	M20
Smm	13	16
Ch. mm	24	30
Zinc plated steel codes	7275	7276
Stainless steel codes	7277	7278

On request

- Bases: In reinforced polypropylene (maximum static load is reduced to 1/3 compared to that with polyamide base) • other colours.
- Assembling of: Anti-slip pads • nuts • washers.
- Box quantity: According to your request.

60X95 Part. 27



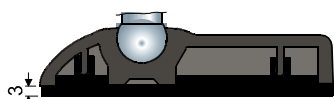
Spindle measures in mm				Spindle and base in reinforced polyamide Code	Max static load (N)
ø d	A	H	Wrench		
M16x2	101	67	24	27 / 7628	7000
M20x2,5	174	140	24	27 / 80161	7500

Spindle and base material: Reinforced polyamide black colour.
Box quantity: 24 pieces.

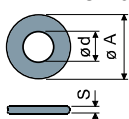
Accessories

Anti-slip pads:

- code: 7632;
- material: thermoplastic rubber 68 Shore black colour;
- box quantity: 24 pieces.

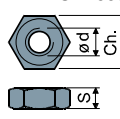


Washers UNI 6592-69 - Box quantity: 24 pieces.



ø M	M16	M20
Smm	3	3
ø A mm	30	37
Zinc plated steel codes	7289	7290
Stainless steel codes	7291	7292

Nuts UNI 5588-65 - Box quantity: 24 pieces.



ø d	M16	M20
Smm	13	16
Ch. mm	24	30
Zinc plated steel codes	7275	7276
Stainless steel codes	7277	7278

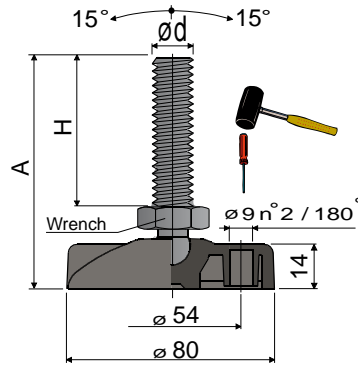
On request

- Bases: In reinforced polypropylene (maximum static load is reduced to 1/3 compared to that with polyamide base) • other colours.
- Assembling of: Anti-slip pads • nuts • washers.
- Box quantity: According to your request.

PA articulated feet

(in reinforced polyamide)

Part. **25** \varnothing **80**



Spindle measures in mm			Wrench	Spindle and base in reinforced polyamide Code	Max static load (N)
$\varnothing d$	A	H			
M16x2	104	67	24	25 / 7629	7000
M20x2,5	177	140	24	25 / 80162	7500

Spindle and base material: Reinforced polyamide black colour.

Box quantity: 24 pieces.

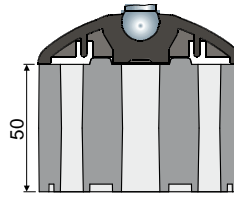
Accessories

Anti-slip pads:

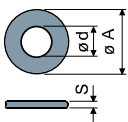
- code: 7266;
- material: thermoplastic rubber
- 68 Shore black colour;
- box quantity: 24 pieces.

Spacers:

- code: 86797 (see pag. 300);
- material: Reinforced polyamide black colour;
- box quantity: 8 pieces.

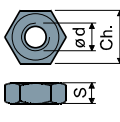


Washers UNI 6592-69 - Box quantity: 24 pieces.



$\varnothing M$	M16	M20
Smm	3	3
$\varnothing A$ mm	30	37
Zinc plated steel codes	7289	7290
Stainless steel codes	7291	7292

Nuts UNI 5588-65 - Box quantity: 24 pieces.

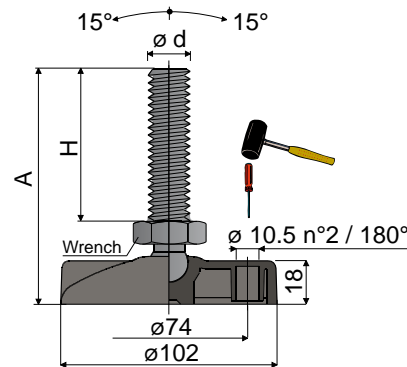


$\varnothing d$	M16	M20
Smm	13	16
Ch. mm	24	30
Zinc plated steel codes	7275	7276
Stainless steel codes	7277	7278

On request

- Bases: In reinforced polypropylene (maximum static load is reduced to 1/3 compared to that with polyamide base) • other colours.
- Assembling of: Anti-slip pads • nuts • washers.
- Box quantity: According to your request.

Part. **38** \varnothing **102**



Spindle measures in mm			Wrench	Spindle and base in reinforced polyamide Code	Max static load (N)
$\varnothing d$	A	H			
M16x2	107	67	24	38 / 7630	7000
M20x2,5	180	140	24	38 / 80155	7500

Spindle and base material: Reinforced polyamide black colour.

Box quantity: 24 pieces.

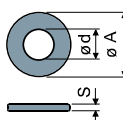
Accessories

Anti-slip pads:

- code: 7267;
- material: thermoplastic rubber 68 Shore black colour;
- box quantity: 24 pieces.

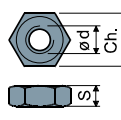


Washers UNI 6592-69 - Box quantity: 24 pieces.



$\varnothing M$	M16	M20
Smm	3	3
$\varnothing A$ mm	30	37
Zinc plated steel codes	7289	7290
Stainless steel codes	7291	7292

Nuts UNI 5588-65 - Box quantity: 24 pieces.



$\varnothing d$	M16	M20
Smm	13	16
Ch. mm	24	30
Zinc plated steel codes	7275	7276
Stainless steel codes	7277	7278

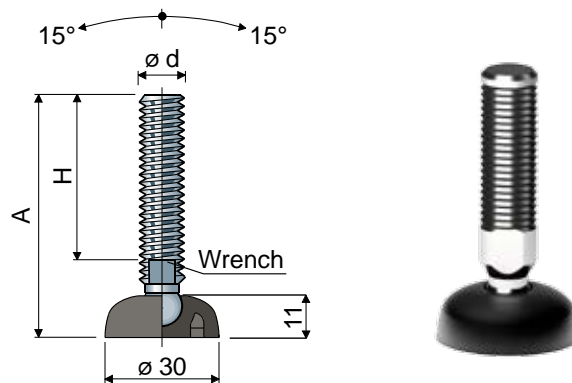
On request

- Bases: In reinforced polypropylene (maximum static load is reduced to 1/3 compared to that with polyamide base) • other colours.
- Assembling of: Anti-slip pads • nuts • washers.
- Box quantity: According to your request.

Articulated feet

(base in reinforced polyamide)

Ø 30 Part. 118



Spindle measures in mm				Spindle material			Max static load (N)
Ød	A	H	Wrench	Zinc plated steel Code	Stainless steel AISI 304 Code	Stainless steel AISI 316 Code	
M8x1,25	65	45	6	118 / 84270	118 / 84271	-	9000
	85	65	6	118 / 84272	118 / 84273	-	
	127	107	6	118 / 90798	118 / 90799	-	
M10x1,5	57	35	8	118 / 84274	118 / 84275	-	10000
	92	70	8	118 / 84276	118 / 84277	-	
	137	115	8	118 / 84278	118 / 84279	-	
M12x1,75	67	43	10	118 / 84280	118 / 84281	-	11000
	87	63	10	118 / 84282	118 / 84283	-	
	102	77	10	118 / 84284	118 / 84285	-	
	117	93	10	118 / 84286	118 / 84287	118 / 85116	
	147	123	10	118 / 84288	118 / 84289	-	

Spindle measures in inches				Spindle material		Max static load (N)
Ød	A	H	Wrench	Zinc plated steel Code	Stainless steel AISI 304 Code	
1/2"-13 UNC	5,08"	4"	7/16"	118 / 85170	118 / 85140	11000

Base material: Reinforced polyamide black colour.

Box quantity: 24 pieces.

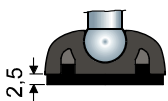
Accessories

Anti-slip pads:

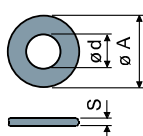
- code: 84290;

- material: thermoplastic rubber 68 Shore black colour;

- box quantity: 24 pieces.

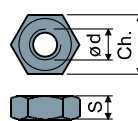


Washers UNI 6592-69 - Box quantity: 24 pieces.



Ø M	M8	M10	M12
Smm	1,6	2	2,5
Ø A mm	17	21	24
Zinc plated steel codes	7636	7283	7284
Stainless steel codes	7637	7286	7287

Nuts UNI 5588-65 - Box quantity: 24 pieces.



Ø d	M8	M10	M12
Smm	6,5	8	10
Ch. mm	13	17	19
Zinc plated steel codes	7634	7269	7270
Stainless steel codes	7635	7272	7273

On request

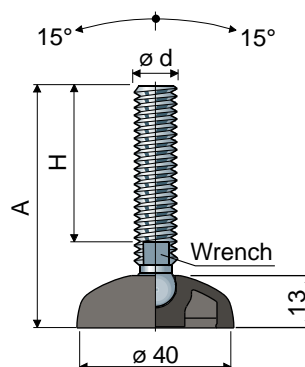
- Bases: In reinforced polypropylene (maximum static load is reduced to 1/3 compared to that with polyamide base) • other colours.
- Spindles with: Sunk hexagon head • second wrench seat head • hexagon wrench seat • threads with other pitches and lengths.
- Assembling of: Anti-slip pads • nuts • washers.
- Box quantity: According to your request.

Thread sizes in inches are expressed as the number of threads (UNC coarse thread) per Imperial inch

Articulated feet

(base in reinforced polyamide)

Part. **10** \varnothing **40**



Spindle measures in mm				Spindle material			Max static load (N)
$\varnothing d$	A	H	Wrench	Zinc plated steel Code	Stainless steel AISI 304 Code	Stainless steel AISI 316 Code	
M8x1,25	68	45	6	10 / 7390	10 / 7391	-	10000
	88	65	6	10 / 7392	10 / 7393	-	
	130	107	6	10 / 7894	10 / 7895	-	
M10x1,5	60	35	8	10 / 7000	10 / 7001	-	11000
	95	70	8	10 / 7002	10 / 7003	-	
	140	115	8	10 / 7004	10 / 7005	-	
M12x1,75	70	43	10	10 / 7006	10 / 7007	-	12000
	90	63	10	10 / 7008	10 / 7009	-	
	105	77	10	10 / 7394	10 / 7395	-	
	120	93	10	10 / 7010	10 / 7011	10 / 85117	
	150	123	10	10 / 7012	10 / 7013	-	
M14x2	90	61	12	10 / 7014	10 / 7015	-	13000
	120	91	12	10 / 7016	10 / 7017	-	
	145	116	12	10 / 7690	10 / 7691	-	
	194	165	12	10 / 86786	10 / 85853	-	
	92	60	13	10 / 86750	10 / 86751	10 / 90797	
M16x2	122	90	13	10 / 86752	10 / 86753	-	16000
	137	105	13	10 / 86754	10 / 86755	-	
	157	125	13	10 / 86756	10 / 86757	10 / 90800	
	187	155	13	10 / 86758	10 / 86759	-	
	197	165	13	10 / 86760	10 / 86761	-	
	237	205	13	10 / 86762	10 / 86763	-	

Spindle measures in inches				Spindle material		Max static load (N)
$\varnothing d$	A	H	Wrench	Zinc plated steel Code	Stainless steel AISI 304 Code	
1/2"-13 UNC	5,08"	4"	7/16"	10 / 83266	10 / 83267	12000
5/8"-11 UNC	8,25"	7"	1/2"	10 / 86778	10 / 86779	14000
3/4"-10 UNC	8,34"	7"	5/8"	10 / 86780	10 / 86781	16000

Base material: Reinforced polyamide black colour.

Box quantity: 24 pieces.

Accessories

Anti-slip pads:

- code: 7263;

- material: thermoplastic rubber 68 Shore black colour;

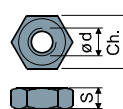
- box quantity: 24 pieces.

Washers UNI 6592-69 - Box quantity: 24 pieces.



\varnothing M	M8	M10	M12	M14	M16
Smm	1,6	2	2,5	2,5	3
\varnothing A mm	17	21	24	28	30
Zinc plated steel codes	7636	7283	7284	7285	7289
Stainless steel codes	7637	7286	7287	7288	7291

Nuts UNI 5588-65 - Box quantity: 24 pieces.



$\varnothing d$	M8	M10	M12	M14	M16
Smm	6,5	8	10	11	13
Ch. mm	13	17	19	22	24
Zinc plated steel codes	7634	7269	7270	7271	7275
Stainless steel codes	7635	7272	7273	7274	7277

On request

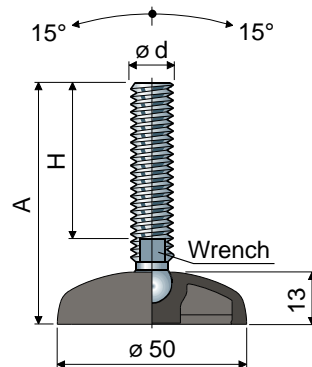
- Bases: In reinforced polypropylene (maximum static load is reduced to 1/3 compared to that with polyamide base) • other colours.
- Spindles with: Sunk hexagon head • second wrench seat head • hexagon wrench seat • threads with other pitches and lengths.
- Assembling of: Anti-slip pads • nuts • washers.
- Box quantity: According to your request.

Thread sizes in inches are expressed as the number of threads (UNC coarse thread) per Imperial inch

Articulated feet

(base in reinforced polyamide)

Ø 50 Part. 15



Spindle measures in mm				Spindle material			Max static load (N)
Ød	A	H	Wrench	Zinc plated steel Code	Stainless steel AISI 304 Code	Stainless steel AISI 316 Code	
M8x1,25	68	45	6	15 / 7396	15 / 7397	-	11000
	88	65	6	15 / 7398	15 / 7399	-	
	130	107	6	15 / 7896	15 / 7897	-	
M10x1,5	60	35	8	15 / 7018	15 / 7019	-	12000
	95	70	8	15 / 7020	15 / 7021	-	
	140	115	8	15 / 7022	15 / 7023	-	
M12x1,75	70	43	10	15 / 7024	15 / 7025	-	13000
	90	63	10	15 / 7026	15 / 7027	-	
	105	77	10	15 / 7400	15 / 7401	-	
	120	93	10	15 / 7028	15 / 7029	15 / 85118	
	150	123	10	15 / 7030	15 / 7031	-	
M14x2	90	61	12	15 / 7032	15 / 7033	-	14000
	120	91	12	15 / 7034	15 / 7035	-	
	145	116	12	15 / 7886	15 / 7887	-	
	195	165	12	15 / 83866	15 / 86787	-	
M16x2	92	60	13	15 / 86764	15 / 86765	15 / 90801	16000
	122	90	13	15 / 86766	15 / 86767	-	
	137	105	13	15 / 86768	15 / 86769	-	
	157	125	13	15 / 86770	15 / 86771	15 / 90802	
	187	155	13	15 / 86772	15 / 86773	-	
	197	165	13	15 / 86774	15 / 86775	-	
237	205	13	15 / 86776	15 / 86777	-		

Spindle measures in inches				Spindle material		Max static load (N)
Ød	A	H	Wrench	Zinc plated steel Code	Stainless steel AISI 304 Code	
1/2"-13 UNC	5,10"	4"	7/16"	15 / 83268	15 / 83269	12000
5/8"-11 UNC	8,25"	7"	1/2"	15 / 86782	15 / 86783	14000
3/4"-10 UNC	8,34"	7"	5/8"	15 / 86784	15 / 86785	16000

Base material: Reinforced polyamide black colour.

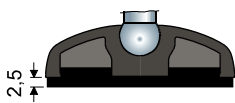
Box quantity: 24 pieces.

Accessories

Anti-slip pads:

- code: 7264;
- material: thermoplastic rubber 68 Shore black colour;
- box quantity: 24 pieces.

Washers UNI 6592-69 - Box quantity: 24 pieces.



Ø M	M8	M10	M12	M14	M16
Smm	1,6	2	2,5	2,5	3
Ø A mm	17	21	24	28	30
Zinc plated steel codes	7636	7283	7284	7285	7289
Stainless steel codes	7637	7286	7287	7288	7291

Nuts UNI 5588-65 - Box quantity: 24 pieces.

Ø d	M8	M10	M12	M14	M16
Smm	6,5	8	10	11	13
Ch. mm	13	17	19	22	24
Zinc plated steel codes	7634	7269	7270	7271	7275
Stainless steel codes	7635	7272	7273	7274	7277

On request

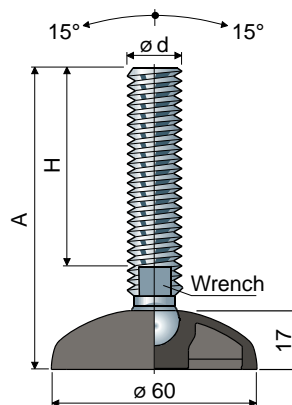
- Bases: In reinforced polypropylene (maximum static load is reduced to 1/3 compared to that with polyamide base) • other colours.
- Spindles with: Sunk hexagon head • second wrench seat head • hexagon wrench seat • threads with other pitches and lengths.
- Assembling of: Anti-slip pads • nuts • washers.
- Box quantity: According to your request.

Thread sizes in inches are expressed as the number of threads (UNC coarse thread) per Imperial inch

Articulated feet

(base in reinforced polyamide)

Part. **18** \varnothing **60**



Spindle measures in mm				Spindle material			
$\varnothing d$	A	H	Wrench	Zinc plated steel Code	Stainless steel AISI 304 Code	Stainless steel AISI 316 Code	Max static load (N)
M8x1,25	72	45	6	18 / 7402	18 / 7403	-	12000
	92	65	6	18 / 7404	18 / 7405	-	
	134	107	6	18 / 7898	18 / 7899	-	
M10x1,5	64	35	8	18 / 7036	18 / 7037	-	13000
	99	70	8	18 / 7038	18 / 7039	-	
	144	115	8	18 / 7040	18 / 7041	-	
M12x1,75	74	43	10	18 / 7042	18 / 7043	-	14000
	94	63	10	18 / 7044	18 / 7045	-	
	109	77	10	18 / 7406	18 / 7407	-	
	124	93	10	18 / 7046	18 / 7047	18 / 85119	
	154	123	10	18 / 7048	18 / 7049	-	
M14x2	94	61	12	18 / 7050	18 / 7051	-	15000
	124	91	12	18 / 7052	18 / 7053	-	
	149	116	12	18 / 7888	18 / 7889	-	
	198	165	12	18 / 86794	18 / 86795	-	
M16x2	95	60	13	18 / 7054	18 / 7055	18 / 85120	17000
	125	90	13	18 / 7408	18 / 7409	-	
	140	105	13	18 / 7056	18 / 7057	-	
	160	125	13	18 / 7058	18 / 7059	18 / 85121	
	190	155	13	18 / 7410	18 / 7411	-	
	200	165	13	18 / 7060	18 / 7061	-	
M20x2,5	240	205	13	18 / 83156	18 / 83157	-	19000
	125	86	17	18 / 7062	18 / 7063	-	
	155	116	17	18 / 7064	18 / 7065	-	
	180	141	17	18 / 7066	18 / 7067	18 / 85122	
	200	161	17	18 / 88840	18 / 88841	-	
237	198	17	18 / 7068	18 / 7069	-		

Spindle measures in inches				Spindle material			
$\varnothing d$	A	H	Wrench	Zinc plated steel Code	Stainless steel AISI 304 Code	Max static load (N)	
1/2" -13 UNC	5,24"	4"	7/16"	18 / 83270	18 / 83271	14000	
5/8" -11 UNC	8,36"	7"	1/2"	18 / 83272	18 / 83273	17000	
3/4" -10 UNC	8,43"	7"	5/8"	18 / 83274	18 / 83275	19000	

Base material: Reinforced polyamide black colour.

Box quantity: 24 pieces.

Accessories

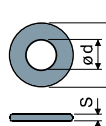
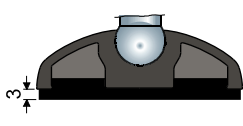
Anti-slip pads:

- code: 7265;

- material: thermoplastic rubber 68 Shore black colour;

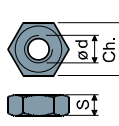
- box quantity: 24 pieces.

Washers UNI 6592-69 - Box quantity: 24 pieces.



\varnothing M	M8	M10	M12	M14	M16	M20
Smm	1,6	2	2,5	2,5	3	3
\varnothing A mm	17	21	24	28	30	37
Zinc plated steel codes	7636	7283	7284	7285	7289	7290
Stainless steel codes	7637	7286	7287	7288	7291	7292

Nuts UNI 5588-65 - Box quantity: 24 pieces.



$\varnothing d$	M8	M10	M12	M14	M16	M20
Smm	6,5	8	10	11	13	16
Ch. mm	13	17	19	22	24	30
Zinc plated steel codes	7634	7269	7270	7271	7275	7276
Stainless steel codes	7635	7272	7273	7274	7277	7278

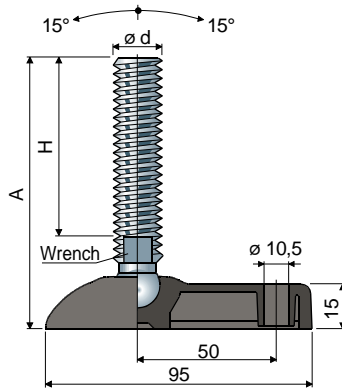
On request

- Bases: In reinforced polypropylene (maximum static load is reduced to 1/3 compared to that with polyamide base) • other colours.
- Spindles with: Sunk hexagon head • second wrench seat head • hexagon wrench seat • threads with other pitches and lengths.
- Assembling of: Anti-slip pads • nuts • washers.
- Box quantity: According to your request.

Thread sizes in inches are expressed as the number of threads (UNC coarse thread) per Imperial inch

Articulated feet

(base in reinforced polyamide)



60X95 Part. 27

Spindle measures in mm				Spindle material			Max static load (N)
ød	A	H	Wrench	Zinc plated steel Code	Stainless steel AISI 304 Code	Stainless steel AISI 316 Code	
M8x1,25	72	45	6	27 / 7412	27 / 7413	-	12000
	92	65	6	27 / 7414	27 / 7415	-	
	134	107	6	27 / 7900	27 / 7901	-	
M10x1,5	64	35	8	27 / 7416	27 / 7417	-	13000
	99	70	8	27 / 7418	27 / 7419	-	
	144	115	8	27 / 7420	27 / 7421	-	
M12x1,75	74	43	10	27 / 7422	27 / 7423	-	14000
	94	63	10	27 / 7424	27 / 7425	-	
	109	77	10	27 / 7426	27 / 7427	-	
	124	93	10	27 / 7428	27 / 7429	27 / 85171	
	154	123	10	27 / 7430	27 / 7431	-	
M14x2	94	61	12	27 / 7432	27 / 7433	-	15000
	124	91	12	27 / 7434	27 / 7435	-	
	149	116	12	27 / 7890	27 / 7891	-	
	198	165	12	27 / 86788	27 / 86791	-	
	95	60	13	27 / 7436	27 / 7437	27 / 85172	
M16x2	125	90	13	27 / 7438	27 / 7439	-	17000
	140	105	13	27 / 7440	27 / 7441	-	
	160	125	13	27 / 7442	27 / 7443	27 / 85173	
	190	155	13	27 / 7444	27 / 7445	-	
	200	165	13	27 / 7446	27 / 7447	-	
	240	205	13	27 / 83158	27 / 83159	-	
M20x2,5	125	86	17	27 / 7448	27 / 7449	-	19000
	155	116	17	27 / 7450	27 / 7451	-	
	180	141	17	27 / 7452	27 / 7453	27 / 85174	
	200	161	17	27 / 88842	27 / 88843	-	
	237	198	17	27 / 7454	27 / 7455	-	

Spindle measures in inches				Spindle material			Max static load (N)
ød	A	H	Wrench	Zinc plated steel Code	Stainless steel AISI 304 Code	Stainless steel AISI 316 Code	
1/2"-13 UNC	5,24"	4"	7/16"	27 / 83276	27 / 83277	-	14000
5/8"-11 UNC	8,38"	7"	1/2"	27 / 83278	27 / 83279	-	17000
3/4"-10 UNC	8,47"	7"	5/8"	27 / 83280	27 / 83281	-	19000

Base material: Reinforced polyamide black colour.

Box quantity: 24 pieces.

Accessories

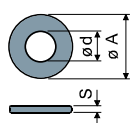
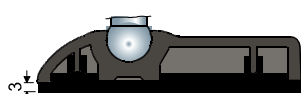
Anti-slip pads:

- code: 7632;

- material: thermoplastic rubber 68 Shore black colour;

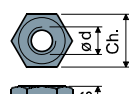
- box quantity: 24 pieces.

Washers UNI 6592-69 - Box quantity: 24 pieces.



ø M	M8	M10	M12	M14	M16	M20
Smm	1,6	2	2,5	2,5	3	3
ø A mm	17	21	24	28	30	37
Zinc plated steel codes	7636	7283	7284	7285	7289	7290
Stainless steel codes	7637	7286	7287	7288	7291	7292

Nuts UNI 5588-65 - Box quantity: 24 pieces.



ø d	M8	M10	M12	M14	M16	M20
Smm	6,5	8	10	11	13	16
Ch. mm	13	17	19	22	24	30
Zinc plated steel codes	7634	7269	7270	7271	7275	7276
Stainless steel codes	7635	7272	7273	7274	7277	7278

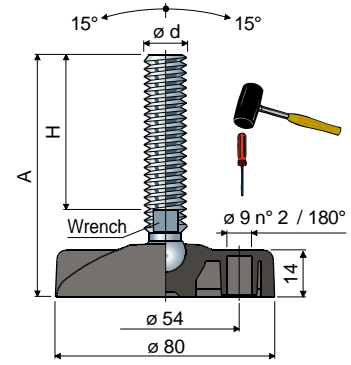
On request

- Bases: In reinforced polypropylene (maximum static load is reduced to 1/3 compared to that with polyamide base) • other colours.
- Spindles with: Sunk hexagon head • second wrench seat head • hexagon wrench seat • threads with other pitches and lengths.
- Assembling of: Anti-slip pads • nuts • washers.
- Box quantity: According to your request.

Thread sizes in inches are expressed as the number of threads (UNC coarse thread) per Imperial inch

Articulated feet (base in reinforced polyamide)

Part. **25** \varnothing **80**



Spindle measures in mm				Base colour						Max static load (N)
				BLACK			BLUE RAL 5005			
$\varnothing d$	A	H	Wrench	Spindle material			Spindle material			
				Zinc plated steel	Stainless steel AISI 304	Stainless steel AISI 316	Zinc plated steel	Stainless steel AISI 304	Stainless steel AISI 316	
				Code	Code	Code	Code	Code	Code	
M8x1,25	71	45	6	25 / 7456	25 / 7457	-	25 / 87782	25 / 87781	-	12000
	91	65	6	25 / 7458	25 / 7459	-	25 / 87784	25 / 87783	-	
	133	107	6	25 / 7902	25 / 7903	-	25 / 87786	25 / 87785	-	
M10x1,5	63	35	8	25 / 7070	25 / 7071	-	25 / 87788	25 / 87787	-	14000
	98	70	8	25 / 7072	25 / 7073	-	25 / 87790	25 / 87789	-	
	143	115	8	25 / 7074	25 / 7075	-	25 / 87792	25 / 87791	-	
M12x1,75	73	43	10	25 / 7076	25 / 7077	-	25 / 87794	25 / 87793	-	15000
	93	63	10	25 / 7078	25 / 7079	-	25 / 87796	25 / 87795	-	
	108	77	10	25 / 7460	25 / 7461	-	25 / 87798	25 / 87797	-	
	123	93	10	25 / 7080	25 / 7081	25 / 85123	25 / 87800	25 / 87799	25 / 87863	
	153	123	10	25 / 7082	25 / 7083	-	25 / 87802	25 / 87801	-	
M14x2	93	61	12	25 / 7084	25 / 7085	-	25 / 87804	25 / 87803	-	16000
	123	91	12	25 / 7086	25 / 7087	-	25 / 87806	25 / 87805	-	
	148	116	12	25 / 7892	25 / 7893	-	25 / 87808	25 / 87807	-	
	197	165	12	25 / 7950	25 / 86789	-	25 / 87810	25 / 87809	-	
M16x2	94	60	13	25 / 7088	25 / 7089	25 / 85124	25 / 87832	25 / 87831	25 / 87865	19000
	124	90	13	25 / 7462	25 / 7463	-	25 / 87834	25 / 87833	-	
	139	105	13	25 / 7090	25 / 7091	-	25 / 87836	25 / 87835	-	
	159	125	13	25 / 7092	25 / 7093	25 / 85125	25 / 87838	25 / 87837	25 / 87867	
	189	155	13	25 / 7464	25 / 7465	-	25 / 87840	25 / 87839	-	
	199	165	13	25 / 7094	25 / 7095	-	25 / 87842	25 / 87841	-	
M20x2,5	239	205	13	25 / 83160	25 / 83161	-	25 / 87844	25 / 87843	-	21000
	124	86	17	25 / 7096	25 / 7097	-	25 / 87846	25 / 87845	-	
	154	116	17	25 / 7098	25 / 7099	-	25 / 87848	25 / 87847	-	
	179	141	17	25 / 7100	25 / 7101	25 / 85126	25 / 87850	25 / 87849	25 / 87869	
	199	161	17	25 / 88844	25 / 88845	-	25 / 88846	25 / 88847	-	
M24x3	236	198	17	25 / 7102	25 / 7103	-	25 / 87852	25 / 87851	-	23000
	134	96	19	25 / 7466	25 / 7467	-	25 / 87854	25 / 87853	-	
	160	122	19	25 / 7104	25 / 7105	-	25 / 87856	25 / 87855	-	
	190	152	19	25 / 7106	25 / 7107	-	25 / 87858	25 / 87857	-	
	220	182	19	25 / 7108	25 / 7109	-	25 / 87860	25 / 87859	-	
338	300	19	25 / 7472	25 / 7473	-	25 / 87862	25 / 87861	-		

Spindle measures in inches				Base colour				Max static load (N)
				BLACK		BLUE RAL 5005		
$\varnothing d$	A	H	Wrench	Spindle material		Spindle material		
				Zinc plated steel	Stainless steel AISI 304	Zinc plated steel	Stainless steel AISI 304	
				Code	Code	Code	Code	
1/2"-13 UNC	5,22"	4"	7/16"	25 / 83282	25 / 83283	25 / 88066	25 / 88067	15000
5/8"-11 UNC	8,33"	7"	1/2"	25 / 83284	25 / 83285	25 / 88068	25 / 88069	19000
3/4"-10 UNC	8,41"	7"	5/8"	25 / 83286	25 / 83287	25 / 88070	25 / 88071	21000

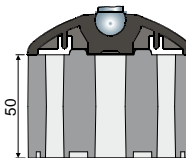
Base material: Reinforced polyamide black or blue Ral 5005 colour.

Box quantity: 24 pieces.

Accessories

Anti-slip pads:

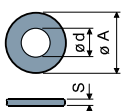
- code: 7266;
- material: thermoplastic rubber 68 Shore black colour;
- box quantity: 24 pieces.



Spacers:

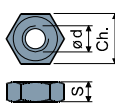
- code: 86797 (see pag. 300);
- material: Reinforced polyamide black colour;
- box quantity: 8 pieces.

Washers UNI 6592-69 - Box quantity: 24 pieces.



$\varnothing M$	M8	M10	M12	M14	M16	M20	M24
Smm	1,6	2	2,5	2,5	3	3	4
$\varnothing A$ mm	17	21	24	28	30	37	44
Zinc plated steel codes	7636	7283	7284	7285	7289	7290	7293
Stainless steel codes	7637	7286	7287	7288	7291	7292	7294

Nuts UNI 5588-65 - Box quantity: 24 pieces.



$\varnothing d$	M8	M10	M12	M14	M16	M20	M24
Smm	6,5	8	10	11	13	16	19
Ch. mm	13	17	19	22	24	30	36
Zinc plated steel codes	7634	7269	7270	7271	7275	7276	7279
Stainless steel codes	7635	7272	7273	7274	7277	7278	7280

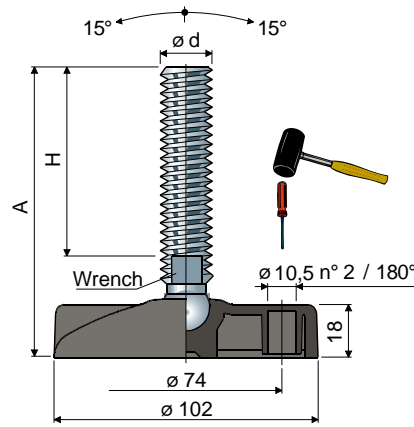
On request

- Bases: In reinforced polyamide blue RAL 5005 FDA APPROVED • In reinforced polypropylene (maximum static load is reduced to 1/3 compared to that with polyamide base) • other colours • with pre-bored fixing holes.
- Spindles with: Sunk hexagon head • second wrench seat head • hexagon wrench seat • threads with other pitches and lengths.
- Assembling of: Anti-slip pads • nuts • washers.
- Box quantity: According to your request.

Thread sizes in inches are expressed as the number of threads (UNC coarse thread) per Imperial inch

Articulated feet (base in reinforced polyamide)

Ø 102 Part. 38



Spindle measures in mm				Spindle material			Max static load (N)
$\varnothing d$	A	H	Wrench	Zinc plated steel Code	Stainless steel AISI 304 Code	Stainless steel AISI 316 Code	
M12x1,75	79	43	10	38 / 83166	38 / 83167	-	15000
	99	63	10	38 / 83168	38 / 83169	-	
	114	78	10	38 / 83170	38 / 83171	-	
	129	93	10	38 / 83172	38 / 83173	38 / 85127	
	159	123	10	38 / 83174	38 / 83175	-	
M14x2	99	61	12	38 / 83176	38 / 83177	-	18000
	129	91	12	38 / 83178	38 / 83179	-	
	154	116	12	38 / 83180	38 / 83181	-	
	203	165	12	38 / 86790	38 / 86093	-	
M16x2	100	60	13	38 / 7110	38 / 7111	38 / 85128	22000
	130	90	13	38 / 7474	38 / 7475	-	
	145	105	13	38 / 7112	38 / 7113	-	
	165	125	13	38 / 7114	38 / 7115	38 / 85129	
	195	155	13	38 / 7476	38 / 7477	-	
	205	165	13	38 / 7116	38 / 7117	-	
M20x2,5	130	86	17	38 / 7118	38 / 7119	-	24000
	160	116	17	38 / 7120	38 / 7121	-	
	185	141	17	38 / 7122	38 / 7123	38 / 85130	
	205	161	17	38 / 88848	38 / 88849	-	
	242	198	17	38 / 7124	38 / 7125	-	
M24x3	140	96	19	38 / 7478	38 / 7479	-	26000
	166	122	19	38 / 7126	38 / 7127	-	
	196	152	19	38 / 7128	38 / 7129	-	
	226	182	19	38 / 7130	38 / 7131	-	
	344	300	19	38 / 7484	38 / 7485	-	

Spindle measures in inches				Spindle material			Max static load (N)
$\varnothing d$	A	H	Wrench	Zinc plated steel Code	Stainless steel AISI 304 Code	Stainless steel AISI 316 Code	
1/2"-13 UNC	5,44"	4"	7/16"	38 / 83288	38 / 83289	-	15000
5/8"-11 UNC	8,57"	7"	1/2"	38 / 83290	38 / 83291	-	22000
3/4"-10 UNC	8,65"	7"	5/8"	38 / 83292	38 / 83293	-	24000

Base material: Reinforced polyamide black colour.

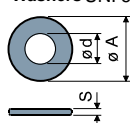
Box quantity: 24 pieces.

Accessories

Anti-slip pads:

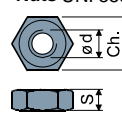
- code: 7267;
- material: thermoplastic rubber 68 Shore black colour;
- box quantity: 24 pieces.

Washers UNI 6592-69 - Box quantity: 24 pieces.



$\varnothing M$	M12	M14	M16	M20	M24
Smm	2,5	2,5	3	3	4
$\varnothing A$ mm	24	28	30	37	44
Zinc plated steel codes	7284	7285	7289	7290	7293
Stainless steel codes	7287	7288	7291	7292	7294

Nuts UNI 5588-65 - Box quantity: 24 pieces.



$\varnothing d$	M12	M14	M16	M20	M24
Smm	10	11	13	16	19
Ch. mm	19	22	24	30	36
Zinc plated steel codes	7270	7271	7275	7276	7279
Stainless steel codes	7273	7274	7277	7278	7280

On request

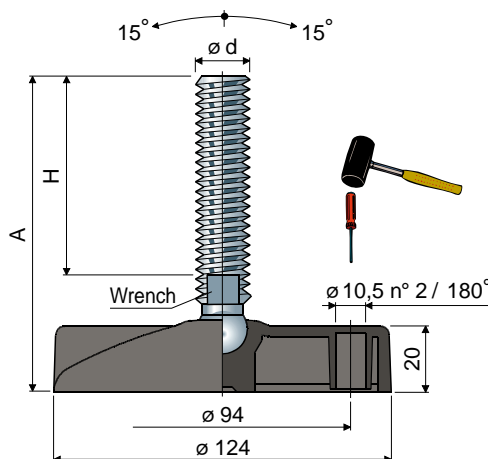
- Bases: In reinforced polypropylene (maximum static load is reduced to 1/3 compared to that with polyamide base) • other colours • with pre-bored fixing holes.
- Spindles with: Sunk hexagon head • second wrench seat head • hexagon wrench seat • threads with other pitches and lengths.
- Assembling of: Anti-slip pads • nuts • washers.
- Box quantity: According to your request.

Thread sizes in inches are expressed as the number of threads (UNC coarse thread) per Imperial inch

Articulated feet

(base in reinforced polyamide)

Part. **45** \varnothing **124**



Spindle measures in mm				Spindle material			Max static load (N)
$\varnothing d$	A	H	Wrench	Zinc plated steel Code	Stainless steel AISI 304 Code	Stainless steel AISI 316 Code	
M14x2	99	61	12	45 / 83184	45 / 83185	-	18000
	129	91	12	45 / 83186	45 / 83187	-	
	154	116	12	45 / 83188	45 / 83189	-	
	203	165	12	45 / 86792	45 / 86793	-	
M16x2	100	60	13	45 / 7132	45 / 7133	45 / 85131	25000
	130	90	13	45 / 7486	45 / 7487	-	
	145	105	13	45 / 7134	45 / 7135	-	
	165	125	13	45 / 7136	45 / 7137	45 / 85132	
	195	155	13	45 / 7488	45 / 7489	-	
	205	165	13	45 / 7138	45 / 7139	-	
	245	205	13	45 / 83162	45 / 83163	-	
M20x2,5	130	86	17	45 / 7140	45 / 7141	-	27000
	160	116	17	45 / 7142	45 / 7143	-	
	185	141	17	45 / 7144	45 / 7145	45 / 85133	
	205	161	17	45 / 88850	45 / 88851	-	
	242	198	17	45 / 7146	45 / 7147	-	
M24x3	140	96	19	45 / 7490	45 / 7491	-	29000
	166	122	19	45 / 7148	45 / 7149	-	
	196	152	19	45 / 7150	45 / 7151	-	
	226	182	19	45 / 7152	45 / 7153	-	
	344	300	19	45 / 7496	45 / 7497	-	

Spindle measures in inches				Spindle material		Max static load (N)
$\varnothing d$	A	H	Wrench	Zinc plated steel Code	Stainless steel AISI 304 Code	
5/8" -11 UNC	8,57"	7"	1/2"	45 / 83294	45 / 83295	25000
3/4" -10 UNC	8,67"	7"	5/8"	45 / 83296	45 / 83297	27000

Base material: Reinforced polyamide black colour.

Box quantity: 8 pieces.

Accessories

Anti-slip pads:

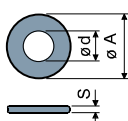
- code: 7268;

- material: thermoplastic rubber 68 Shore black colour;

- box quantity: 8 pieces.

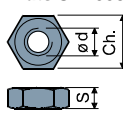


Washers UNI 6592-69 - Box quantity: 24 pieces.



$\varnothing M$	M14	M16	M20	M24
Smm	2,5	3	3	4
$\varnothing A$ mm	28	30	37	44
Zinc plated steel codes	7285	7289	7290	7293
Stainless steel codes	7288	7291	7292	7294

Nuts UNI 5588-65 - Box quantity: 24 pieces.



$\varnothing d$	M14	M16	M20	M24
Smm	11	13	16	19
Ch. mm	22	24	30	36
Zinc plated steel codes	7271	7275	7276	7279
Stainless steel codes	7274	7277	7278	7280

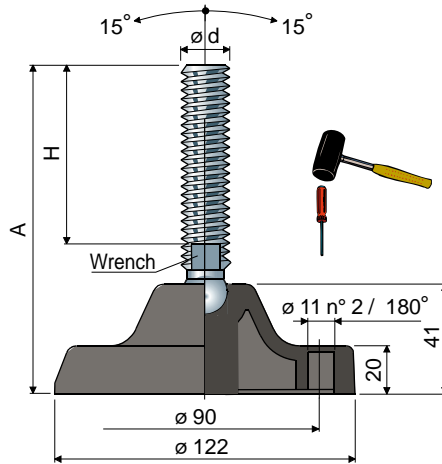
On request

- Bases: In reinforced polypropylene (maximum static load is reduced to 1/3 compared to that with polyamide base) • other colours • with pre-bored fixing holes.
- Spindles with: Sunk hexagon head • second wrench seat head • hexagon wrench seat • threads with other pitches and lengths.
- Assembling of: Anti-slip pads • nuts • washers.
- Box quantity: According to your request.

Thread sizes in inches are expressed as the number of threads (UNC coarse thread) per Imperial inch

Articulated feet

(base in reinforced polyamide)



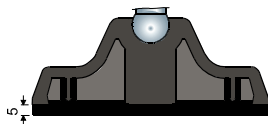
Ø 122 Part. 92

Spindle measures in mm				Spindle material			Max static load (N)
ød	A	H	Wrench	Zinc plated steel Code	Stainless steel AISI 304 Code	Stainless steel AISI 316 Code	
M16x2	118	60	13	92 / 7782	92 / 7783	92 / 85134	25000
	148	90	13	92 / 7784	92 / 7785	-	
	163	105	13	92 / 7786	92 / 7787	-	
	183	125	13	92 / 7788	92 / 7789	92 / 85135	
	213	155	13	92 / 7790	92 / 7791	-	
	223	165	13	92 / 7792	92 / 7793	-	
	263	205	13	92 / 83164	92 / 83165	-	
M20x2,5	147	86	17	92 / 7794	92 / 7795	-	27000
	177	116	17	92 / 7796	92 / 7797	-	
	202	141	17	92 / 7798	92 / 7799	92 / 85136	
	222	161	17	92 / 88852	92 / 88853	-	
	259	198	17	92 / 7800	92 / 7801	-	
M24x3	157	96	19	92 / 80702	92 / 80703	-	29000
	183	122	19	92 / 80704	92 / 80705	-	
	213	152	19	92 / 80706	92 / 80707	-	
	243	182	19	92 / 80708	92 / 80709	-	
	361	300	19	92 / 80710	92 / 80711	-	

Spindle measures in inches				Spindle material		Max static load (N)
ød	A	H	Wrench	Zinc plated steel Code	Stainless steel AISI 304 Code	
5/8"-11 UNC	9,29"	7"	1/2"	92 / 83298	92 / 83299	25000
3/4"-10 UNC	9,37"	7"	5/8"	92 / 83300	92 / 83301	27000

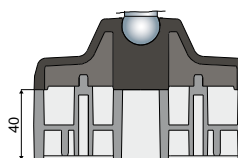
Base material: Reinforced polyamide black colour.

Box quantity: 8 pieces.



Accessories

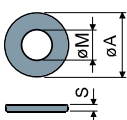
- Anti-slip pads:**
 - code: 7633;
 - material: thermoplastic rubber 68 Shore black colour;
 - box quantity: 8 pieces.



Spacers:

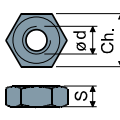
- code: 83410 (see pag. 300);
 - material: Reinforced polyamide black colour;
 - box quantity: 8 pieces.

Washers UNI 6592-69 - Box quantity: 24 pieces.



ø M	M16	M20	M24
Smm	3	3	4
ø A mm	30	37	44
Zinc plated steel codes	7289	7290	7293
Stainless steel codes	7291	7292	7294

Nuts UNI 5588-65 - Box quantity: 24 pieces.



ø d	M16	M20	M24
Smm	13	16	19
Ch. mm	24	30	36
Zinc plated steel codes	7275	7276	7279
Stainless steel codes	7277	7278	7280

On request

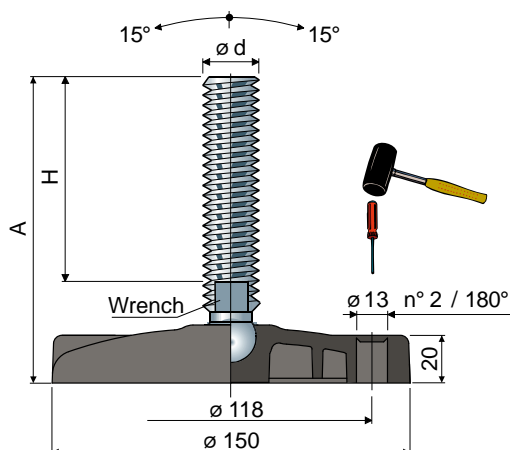
- **Bases:** In reinforced polypropylene (maximum static load is reduced to 1/3 compared to that with polyamide base) • other colours • with pre-bored fixing holes.
- **Spindles with:** Sunk hexagon head • second wrench seat head • hexagon wrench seat • threads with other pitches and lengths.
- **Assembling of:** Anti-slip pads • nuts • washers.
- **Box quantity:** According to your request.

Thread sizes in inches are expressed as the number of threads (UNC coarse thread) per Imperial inch

Articulated feet

(base in reinforced polyamide)

Part. **122** \varnothing **150**



Spindle measures in mm				Spindle material			
$\varnothing d$	A	H	Wrench	Zinc plated steel Code	Stainless steel AISI 304 Code	Stainless steel AISI 316 Code	Max static load (N)
M20x2,5	131	86	17	122 / 85736	122 / 85737	-	30000
	161	116	17	122 / 85738	122 / 85739	-	
	186	141	17	122 / 85740	122 / 85741	122 / 85765	
	206	161	17	122 / 88854	122 / 88855	-	
	243	198	17	122 / 85742	122 / 85743	-	
M24x3	141	96	19	122 / 85744	122 / 85745	-	32000
	167	122	19	122 / 85746	122 / 85747	-	
	197	152	19	122 / 85748	122 / 85749	-	
	227	182	19	122 / 85750	122 / 85751	-	
	345	300	19	122 / 85752	122 / 85753	-	
M30x3,5	189	144	24	122 / 85754	122 / 85755	-	33000

Base material: Reinforced polyamide black colour.

Box quantity: 8 pieces.

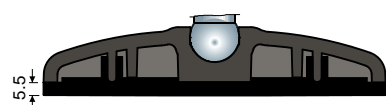
Accessories

Anti-slip pads:

- code: 85780;

- material: thermoplastic rubber 68 Shore black colour;

- box quantity: 8 pieces.



Washers UNI 6592-69 - Box quantity: 24 pieces.

$\varnothing M$	M20	M24	M30
Smm	3	4	4
$\varnothing A$ mm	37	44	56
Zinc plated steel codes	7290	7293	7295
Stainless steel codes	7292	7294	7296

Nuts UNI 5588-65 - Box quantity: 24 pieces.

$\varnothing d$	M20	M24	M30
Smm	16	19	24
Ch. mm	30	36	46
Zinc plated steel codes	7276	7279	7281
Stainless steel codes	7278	7280	7282

On request

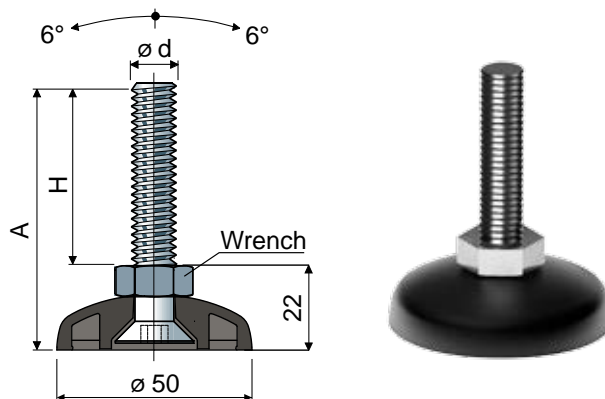
- Bases: In reinforced polypropylene (maximum static load is reduced to 1/3 compared to that with polyamide base) • other colours • with pre-bored fixing holes.
- Spindles with: Sunk hexagon head • second wrench seat head • hexagon wrench seat • threads with other pitches and lengths.
- Assembling of: Anti-slip pads • nuts • washers.
- Box quantity: According to your request.

Adjustable feet

(base in reinforced polyamide)

Ø 50

Part. **79**



Spindle measures in mm				Spindle material			Max static load (N)
Ø d	A	H	Wrench	Zinc plated steel Code	Stainless steel AISI 304 Code		
M10x1,5	67	45	17	79 / 82074	79 / 82075	12000	
	92	70	17	79 / 82076	79 / 82077		
	122	100	17	79 / 82078	79 / 82079		

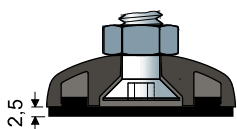
Base material: Reinforced polyamide black colour.

Box quantity: 24 pieces.

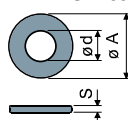
Accessories

Anti-slip pads:

- code: 7264;
- material: thermoplastic rubber 68 Shore black colour;
- box quantity: 24 pieces.

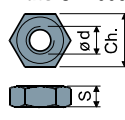


Washers UNI 6592-69 - Box quantity: 24 pieces.



Ø M	M10
S mm	2
Ø A mm	21
Zinc plated steel codes	7283
Stainless steel codes	7286

Nuts UNI 5588-65 - Box quantity: 24 pieces.



Ø d	M10
S mm	8
Ch. mm	17
Zinc plated steel codes	7269
Stainless steel codes	7272

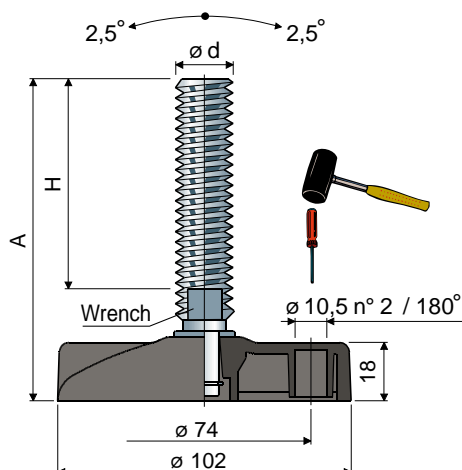
On request

- Bases: In reinforced polypropylene (maximum static load is reduced to 1/3 compared to that with polyamide base) • other colours.
- Spindles with: Threads with other pitches and lengths.
- Assembling of: Anti-slip pads • nuts • washers.
- Box quantity: According to your request.

Adjustable feet

(base in reinforced polyamide)

Part. **87** \varnothing **102**



Spindle measures in mm				Base colour						Max static load (N)
				BLACK			BLUE RAL 5005			
$\varnothing d$	A	H	Wrench	Spindle material			Spindle material			
				Zinc plated steel Code	Stainless steel AISI 304 Code	Stainless steel AISI 316 Code	Zinc plated steel Code	Stainless steel AISI 304 Code	Stainless steel AISI 316 Code	
M16x2	98	58	13	87 / 7498	87 / 7499	-	87 / 87870	87 / 87871	-	33000
	129	89	13	87 / 89288	87 / 89295	-	87 / 89290	87 / 89297	-	
	159	119	13	87 / 7904	87 / 7905	-	87 / 87872	87 / 87873	-	
	185	145	13	87 / 7154	87 / 7155	-	87 / 87874	87 / 87875	-	
	241	201	13	87 / 7156	87 / 7157	-	87 / 87876	87 / 87877	-	
M18x2,5	197	157	15	87 / 82134	87 / 82135	-	87 / 87878	87 / 87879	-	35000
	132	89	17	87 / 87316	87 / 87317	-	87 / 87880	87 / 87881	-	
M20x2,5	150	107	17	87 / 7158	87 / 7159	-	87 / 87882	87 / 87883	-	35000
	179	136	17	87 / 7500	87 / 7501	-	87 / 87884	87 / 87885	-	
	200	157	17	87 / 7160	87 / 7161	87 / 85137	87 / 87886	87 / 87887	87 / 87900	
	233	190	17	87 / 83214	87 / 83215	-	87 / 87888	87 / 87889	-	
	281	238	17	87 / 83216	87 / 83217	-	87 / 87890	87 / 87891	-	
M24x3	136	90	19	87 / 7162	87 / 7163	-	87 / 87892	87 / 87893	-	37000
	173	127	19	87 / 7502	87 / 7503	-	87 / 87894	87 / 87895	-	
	208	162	19	87 / 7164	87 / 7165	-	87 / 87896	87 / 87897	-	
	248	202	19	87 / 83218	87 / 83219	-	87 / 87898	87 / 87899	-	

Base material: Reinforced polyamide black or blue Ral 5005 colour.

Box quantity: 24 pieces.

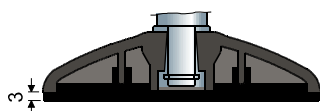
Accessories

Anti-slip pads:

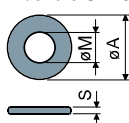
- code: 7267;

- material: thermoplastic rubber 68 Shore black colour;

- box quantity: 24 pieces.

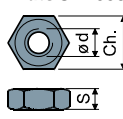


Washers UNI 6592-69 - Box quantity: 24 pieces.



$\varnothing M$	M16	M20	M24
Smm	3	3	4
$\varnothing A$ mm	30	37	44
Zinc plated steel codes	7289	7290	7293
Stainless steel codes	7291	7292	7294

Nuts UNI 5588-65 - Box quantity: 24 pieces.



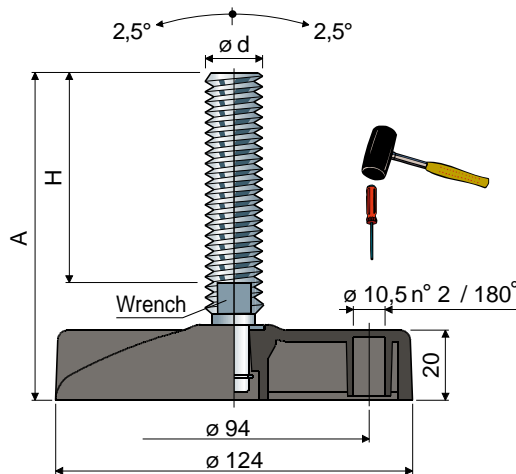
$\varnothing d$	M16	M20	M24
Smm	13	16	19
Ch. mm	24	30	36
Zinc plated steel codes	7275	7276	7279
Stainless steel codes	7277	7278	7280

On request

- Bases: In reinforced polyamide blue RAL 5005 FDA APPROVED • In reinforced polypropylene (maximum static load is reduced to 1/3 compared to that with polyamide base) • other colours • with pre-bored fixing holes.
- Spindles with: Sunk hexagon head • second wrench seat head • hexagon wrench seat • threads with other pitches and lengths.
- Assembling of: Anti-slip pads • nuts • washers.
- Box quantity: According to your request.

Adjustable feet

(base in reinforced polyamide)



$\varnothing 124$ Part. **89**



Spindle measures in mm				Base colour						Max static load (N)
				BLACK			BLUE RAL 5005			
$\varnothing d$	A	H	Wrench	Spindle material			Spindle material			
				Zinc plated steel Code	Stainless steel AISI 304 Code	Stainless steel AISI 316 Code	Zinc plated steel Code	Stainless steel AISI 304 Code	Stainless steel AISI 316 Code	
M16x2	96	58	13	89 / 7504	89 / 7505	-	89 / 87902	89 / 87903	-	43000
	127	89	13	89 / 89292	89 / 89299	-	89 / 89294	89 / 89301	-	
	157	119	13	89 / 7906	89 / 7907	-	89 / 87904	89 / 87905	-	
	183	145	13	89 / 7166	89 / 7167	-	89 / 87906	89 / 87907	-	
	239	201	13	89 / 7168	89 / 7169	-	89 / 87908	89 / 87909	-	
M18x2,5	195	157	15	89 / 7852	89 / 7851	-	89 / 87910	89 / 87911	-	45000
	130	89	17	89 / 87318	89 / 87319	-	89 / 87912	89 / 87913	-	
M20x2,5	148	107	17	89 / 7170	89 / 7171	-	89 / 87914	89 / 87915	-	
	177	136	17	89 / 7506	89 / 7507	-	89 / 87916	89 / 87917	-	
	198	157	17	89 / 7172	89 / 7173	89 / 85138	89 / 87918	89 / 87919	89 / 87901	
	231	190	17	89 / 83220	89 / 83221	-	89 / 87920	89 / 87921	-	
	279	238	17	89 / 83222	89 / 83223	-	89 / 87922	89 / 87923	-	
M24x3	134	90	19	89 / 7174	89 / 7175	-	89 / 87924	89 / 87925	-	47000
	171	127	19	89 / 7508	89 / 7509	-	89 / 87926	89 / 87927	-	
	206	162	19	89 / 7176	89 / 7177	-	89 / 87928	89 / 87929	-	
	246	202	19	89 / 83224	89 / 83225	-	89 / 87930	89 / 87931	-	
M30x3,5	169	125	24	89 / 7178	89 / 7179	-	89 / 87932	89 / 87933	-	50000
	229	185	24	89 / 7180	89 / 7181	-	89 / 87934	89 / 87935	-	

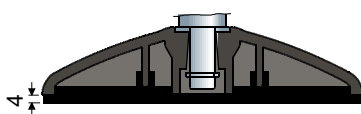
Base material: Reinforced polyamide black or blue Ral 5005 colour.

Box quantity: 8 pieces.

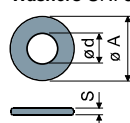
Accessories

Anti-slip pads:

- code: 7268;
- material: thermoplastic rubber 68 Shore black colour;
- box quantity: 8 pieces.

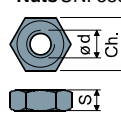


Washers UNI 6592-69 - Box quantity: 24 pieces.



$\varnothing M$	M16	M20	M24	M30
Smm	3	3	4	4
$\varnothing A$ mm	30	37	44	56
Zinc plated steel codes	7289	7290	7293	7295
Stainless steel codes	7291	7292	7294	7296

Nuts UNI 5588-65 - Box quantity: 24 pieces.



$\varnothing d$	M16	M20	M24	M30
Smm	13	16	19	24
Ch. mm	24	30	36	46
Zinc plated steel codes	7275	7276	7279	7281
Stainless steel codes	7277	7278	7280	7282

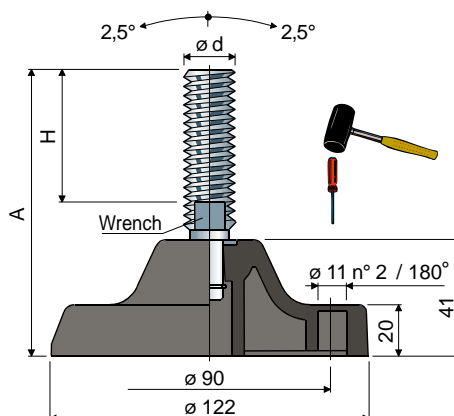
On request

- Bases: In reinforced polyamide blue RAL 5005 FDA APPROVED • In reinforced polypropylene (maximum static load is reduced to 1/3 compared to that with polyamide base) • other colours • with pre-bored fixing holes.
- Spindles with: Sunk hexagon head • second wrench seat head • hexagon wrench seat • threads with other pitches and lengths.
- Assembling of: Anti-slip pads • nuts • washers.
- Box quantity: According to your request.

Adjustable feet

(base in reinforced polyamide)

Part. **93** \varnothing **122**



Spindle measures in mm				Base colour						Max static load (N)
				BLACK			BLUE RAL 5005			
				Spindle material			Spindle material			
$\varnothing d$	A	H	Wrench	Zinc plated steel Code	Stainless steel AISI 304 Code	Stainless steel AISI 316 Code	Zinc plated steel Code	Stainless steel AISI 304 Code	Stainless steel AISI 316 Code	
M16x2	114	58	13	93 / 7510	93 / 7511	-	93 / 87936	93 / 87937	-	43000
	145	89	13	93 / 89296	93 / 89303	-	93 / 89298	93 / 89305	-	
	175	119	13	93 / 7908	93 / 7909	-	93 / 87938	93 / 87939	-	
	201	145	13	93 / 7512	93 / 7513	-	93 / 87940	93 / 87941	-	
	257	201	13	93 / 7514	93 / 7515	-	93 / 87942	93 / 87943	-	
M18x2,5	209	157	15	93 / 82136	93 / 82137	-	93 / 87944	93 / 87945	-	45000
	145	89	17	93 / 80548	93 / 87315	-	93 / 87946	93 / 87947	-	
M20x2,5	166	107	17	93 / 7516	93 / 7517	-	93 / 87948	93 / 87949	-	45000
	195	136	17	93 / 7518	93 / 7519	-	93 / 87950	93 / 87951	-	
	216	157	17	93 / 7520	93 / 7521	93 / 85139	93 / 87952	93 / 87953	93 / 87970	
	245	190	17	93 / 83226	93 / 83227	-	93 / 87954	93 / 87955	-	
	293	238	17	93 / 83228	93 / 83229	-	93 / 87956	93 / 87957	-	
M24x3	152	90	19	93 / 7522	93 / 7523	-	93 / 87958	93 / 87959	-	47000
	189	127	19	93 / 7524	93 / 7525	-	93 / 87960	93 / 87961	-	
	224	162	19	93 / 7526	93 / 7527	-	93 / 87962	93 / 87963	-	
	260	202	19	93 / 83230	93 / 83231	-	93 / 87964	93 / 87965	-	
M30x3,5	183	125	24	93 / 7528	93 / 7529	-	93 / 87966	93 / 87967	-	50000
	247	185	24	93 / 7530	93 / 7531	-	93 / 87968	93 / 87969	-	

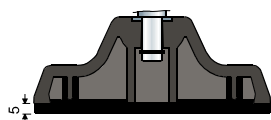
Base material: Reinforced polyamide black or blue Ral 5005 colour.

Box quantity: 8 pieces.

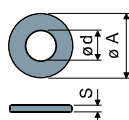
Accessories

Anti-slip pads:

- code: 7633;
- material: thermoplastic rubber 68 Shore black colour;
- box quantity: 8 pieces.

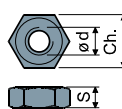


Washers UNI 6592-69 - Box quantity: 24 pieces.



$\varnothing M$	M16	M20	M24	M30
Smm	3	3	4	4
$\varnothing A$ mm	30	37	44	56
Zinc plated steel codes	7289	7290	7293	7295
Stainless steel codes	7291	7292	7294	7296

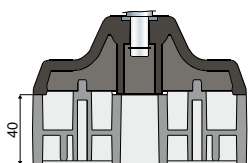
Nuts UNI 5588-65 - Box quantity: 24 pieces.



$\varnothing d$	M16	M20	M24	M30
Smm	13	16	19	24
Ch. mm	24	30	36	46
Zinc plated steel codes	7275	7276	7279	7281
Stainless steel codes	7277	7278	7280	7282

Spacers:

- code: 83410 (see pag. 300);
- material: Reinforced polyamide black colour;
- box quantity: 8 pieces.



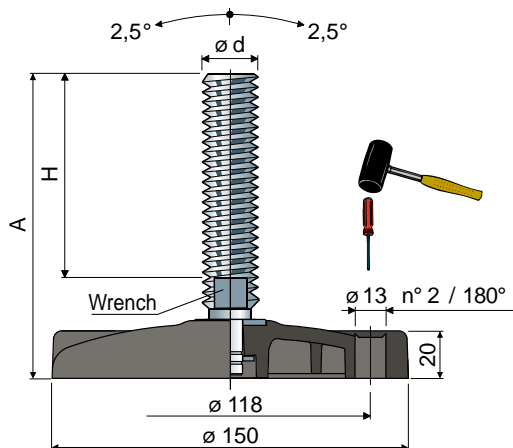
On request

- Bases: In reinforced polyamide blue RAL 5005 FDA APPROVED • In reinforced polypropylene (maximum static load is reduced to 1/3 compared to that with polyamide base) • other colours • with pre-bored fixing holes.
- Spindles with: Sunk hexagon head • second wrench seat head • hexagon wrench seat • threads with other pitches and lengths.
- Assembling of: Anti-slip pads • nuts • washers.
- Box quantity: According to your request.

Adjustable feet

(base in reinforced polyamide)

Ø 150 Part. 124



Spindle measures in mm				Base colour						Max static load (N)
				BLACK			BLUE RAL 5005			
ød	A	H	Wrench	Spindle material			Spindle material			
				Zinc plated steel Code	Stainless steel AISI 304 Code	Stainless steel AISI 316 Code	Zinc plated steel Code	Stainless steel AISI 304 Code	Stainless steel AISI 316 Code	
M16x2	98	58	13	124 / 85782	124 / 85791	-	124 / 87972	124 / 87973	-	45000
	129	89	13	124 / 89300	124 / 89307	-	124 / 89302	124 / 89309	-	
	159	119	13	124 / 85784	124 / 85793	-	124 / 87974	124 / 87975	-	
	185	145	13	124 / 85786	124 / 85795	-	124 / 87976	124 / 87977	-	
	241	201	13	124 / 85788	124 / 85797	-	124 / 87978	124 / 87979	-	
M18x2,5	197	157	15	124 / 85790	124 / 85799	-	124 / 87980	124 / 87981	-	47000
	132	89	17	124 / 87320	124 / 87321	-	124 / 87982	124 / 87983	-	
	150	107	17	124 / 85756	124 / 85767	-	124 / 87984	124 / 87985	-	
	179	136	17	124 / 85758	124 / 85769	-	124 / 87986	124 / 87987	-	
	200	157	17	124 / 85760	124 / 85771	124 / 85789	124 / 87988	124 / 87989	124 / 87971	
M20x2,5	233	190	17	124 / 85762	124 / 85773	-	124 / 87990	124 / 87991	-	49000
	281	238	17	124 / 85766	124 / 85775	-	124 / 87992	124 / 87993	-	
	136	90	19	124 / 85768	124 / 85777	-	124 / 87994	124 / 87995	-	
	173	127	19	124 / 85770	124 / 85779	-	124 / 87996	124 / 87997	-	
	208	162	19	124 / 85772	124 / 85781	-	124 / 87998	124 / 87999	-	
M24x3	248	202	19	124 / 85774	124 / 85783	-	124 / 88000	124 / 88001	-	52000
	171	125	24	124 / 85776	124 / 85785	-	124 / 88002	124 / 88003	-	
M30x3,5	231	185	24	124 / 85778	124 / 85787	-	124 / 88004	124 / 88005	-	

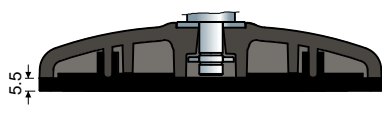
Base material: Reinforced polyamide black or blue Ral 5005 colour.

Box quantity: 8 pieces.

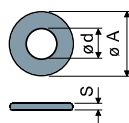
Accessories

Anti-slip pads:

- code: 85780;
- material: thermoplastic rubber 68 Shore black colour;
- box quantity: 8 pieces.

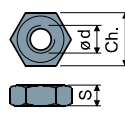


Washers UNI 6592-69 - Box quantity: 24 pieces.



ø M	M16	M20	M24	M30
Smm	3	3	4	4
ø A mm	30	37	44	56
Zinc plated steel codes	7289	7290	7293	7295
Stainless steel codes	7291	7292	7294	7296

Nuts UNI 5588-65 - Box quantity: 24 pieces.



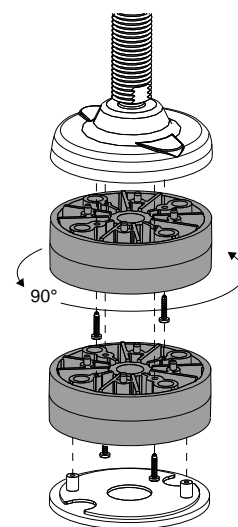
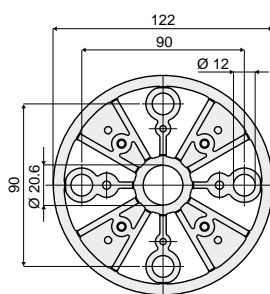
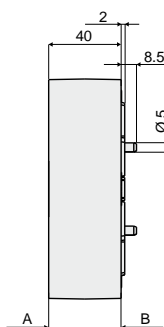
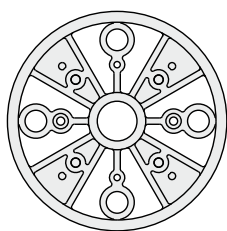
ø d	M16	M20	M24	M30
Smm	13	16	19	24
Ch. mm	24	30	36	46
Zinc plated steel codes	7275	7276	7279	7281
Stainless steel codes	7277	7278	7280	7282

On request

- Bases: In reinforced polyamide blue RAL 5005 FDA APPROVED • In reinforced polypropylene (maximum static load is reduced to 1/3 compared to that with polyamide base) • other colours • with pre-bored fixing holes.
- Spindles with: Sunk hexagon head • second wrench seat head • hexagon wrench seat • threads with other pitches and lengths.
- Assembling of: Anti-slip pads • nuts • washers.
- Box quantity: According to your request.

Accessories for supporting and levelling components

Part. 104 Spacer (for Part.92, 93)



Example of application

Code
104 / 83410

A view (spacer)

B view (spacer)

Materials: Spacer in reinforced polyamide black colour.

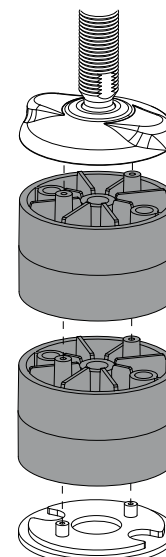
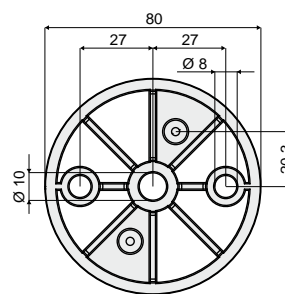
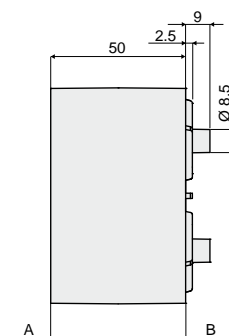
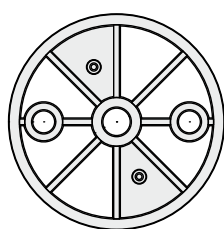
Features: To be used with foot-plates part. 92 and 93 to increase the height of the foot-plates. It is possible to assemble the anti-slip code 7633 (see page 293, 298).

Box quantity: 8 pieces.

On request:

- Box quantity: According to your request.

Part. 127 Spacer (for Part.25)



Example of application

Code
127 / 86797

A view (spacer)

B view (spacer)

Materials: Spacer in reinforced polyamide black colour.

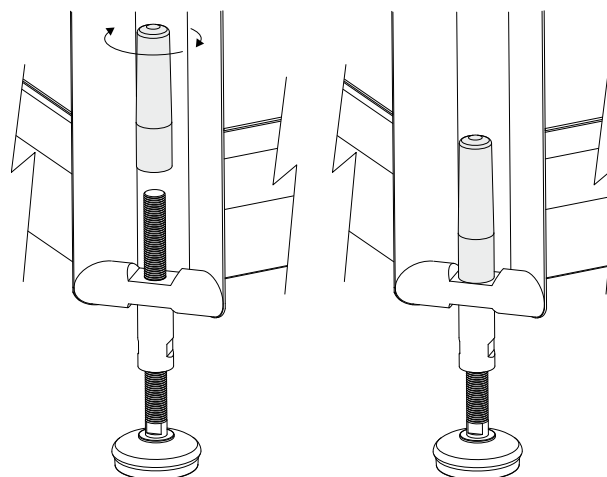
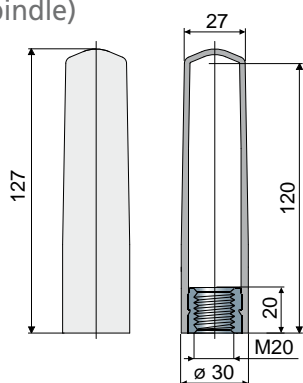
Features: To be used with footplate part. 25 to increase the height of the foot-plates. It is possible to assemble the anti-slip code 7266 (see page 284, 290).

Box quantity: 8 pieces.

On request:

- Box quantity: According to your request.

Part. 128 Protection cap (for M20 spindle)



Example of application

Code
128 / 87128

Materials: Cap in polypropylene grey colour, threaded bushing in nickel plated brass.

Features: To be screwed as a thread protection on M20 spindles, for total protection of the thread.

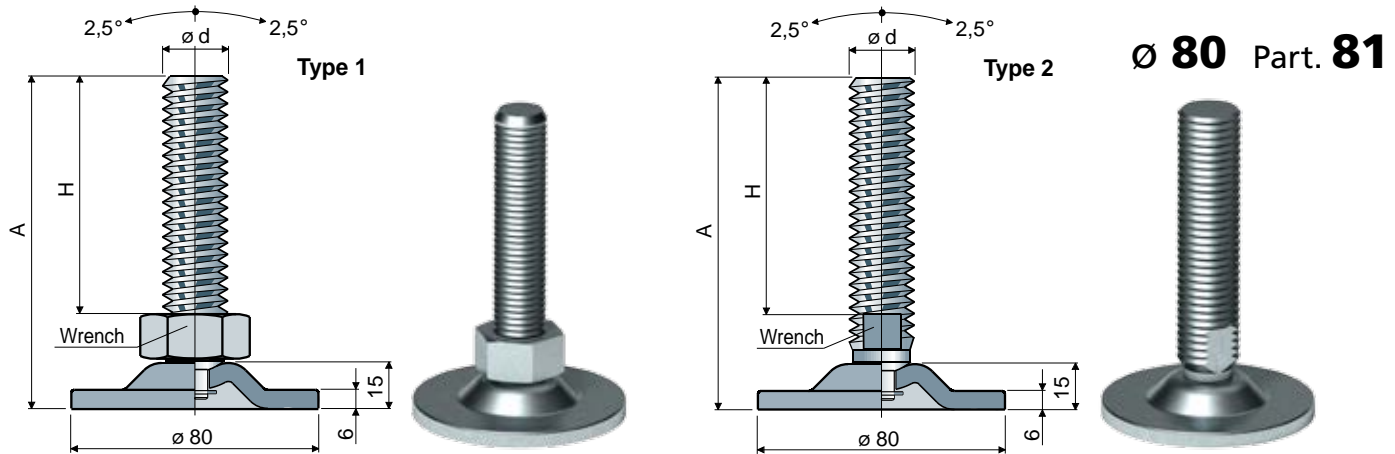
Box quantity: 8 pieces.

On request:

- Box quantity: According to your request.

Adjustable feet

(base in steel)



Spindle measures in mm			Spindle and base in zinc plated steel			Max static load (N)
ø d	A	H	Wrench	Type 1 Code	Type 2 Code	
M20x2,5	120	87	30	81 / 80786	-	40000
	152	117	30	81 / 84318	-	
	160	127	30	81 / 82882	-	
M24x3	120	85	19	-	81 / 80214	

Material: Base and spindle in zinc-plated steel.

Box quantity: 8 pieces.

Washers UNI 6592-69 - Box quantity: 24 pieces.

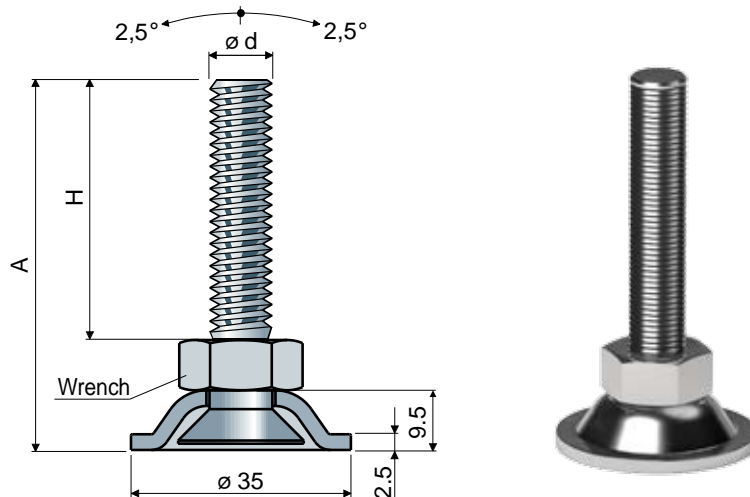
ø M	M20	M24
Smm	3	4
ø Amm	37	44
Zinc plated steel codes	7290	7293

Nuts UNI 5588-65 - Box quantity: 24 pieces.

ø d	M20	M24
Smm	16	19
Ch. mm	30	36
Zinc plated steel codes	7276	7279

On request

- Spindles with: Sunk hexagon head • second wrench seat head • hexagon wrench seat • threads with other pitches and lengths.
- Assembling of: Nuts • washers.
- Box quantity: According to your request.



Ø 35 Part. 123

Spindle measures in mm			Spindle material			Max static load (N)
ø d	A	H	Wrench	Zinc plated steel Code	Stainless steel AISI 304 Code	
M10x1,5	66	48,5	17	123 / 85712	123 / 85713	10000
	91	73,5	17	123 / 85714	123 / 85715	
	121	103,5	17	123 / 85716	123 / 85717	

Base material: Stainless steel AISI 304.

Box quantity: 24 pieces.

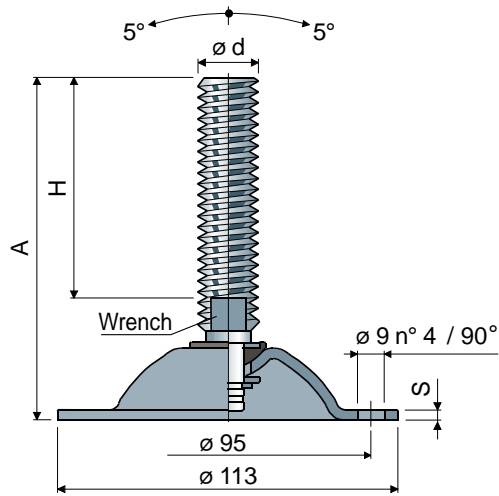
On request

- Assembling of: Nuts • washers.
- Box quantity: According to your request.

Adjustable feet

(base in steel)

Part. **96** Ø **113**

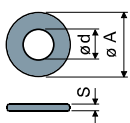


Spindle measures in mm			Spindle and base material				Max static load (N)
$\varnothing d$	A	H	Wrench	Zinc plated steel Code	Stainless steel AISI 304 Code		
M16x2	100	58	13	96 / 7562	96 / 7563	15000 (zinc plated) S = 3,5	
	131	89	13	96 / 89304	96 / 89311		
	161	119	13	96 / 7916	96 / 7917		
	187	145	13	96 / 7564	96 / 7565		
	243	201	13	96 / 7566	96 / 7567		
M18x2,5	199	157	15	96 / 82138	96 / 82139		
	134	89	17	96 / 87322	96 / 87323		
	152	107	17	96 / 7568	96 / 7569		
M20x2,5	181	136	17	96 / 7570	96 / 7571		
	202	157	17	96 / 7572	96 / 7573		
	235	190	17	96 / 83232	96 / 83233		
	283	238	17	96 / 83234	96 / 83235		
	M24x3	138	90	19	96 / 7574	96 / 7575	10000 (AISI 304) S = 3
175		127	19	96 / 7576	96 / 7577		
210		162	19	96 / 7578	96 / 7579		
250		202	19	96 / 83236	96 / 83237		
M30x3,5		173	125	24	96 / 7580	96 / 7581	
	233	185	24	96 / 7582	96 / 7583		

Materials: Spindle and base in zinc plated steel or stainless steel AISI 304; washer in reinforced polyamide.

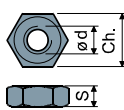
Box quantity: 8 pieces.

Washers UNI 6592-69 - Box quantity: 24 pieces.



$\varnothing M$	M16	M20	M24	M30
Smm	3	3	4	4
$\varnothing A$ mm	30	37	44	56
Zinc plated steel codes	7289	7290	7293	7295
Stainless steel codes	7291	7292	7294	7296

Nuts UNI 5588-65 - Box quantity: 24 pieces.



$\varnothing d$	M16	M20	M24	M30
Smm	13	16	19	24
Ch. mm	24	30	36	46
Zinc plated steel codes	7275	7276	7279	7281
Stainless steel codes	7277	7278	7280	7282

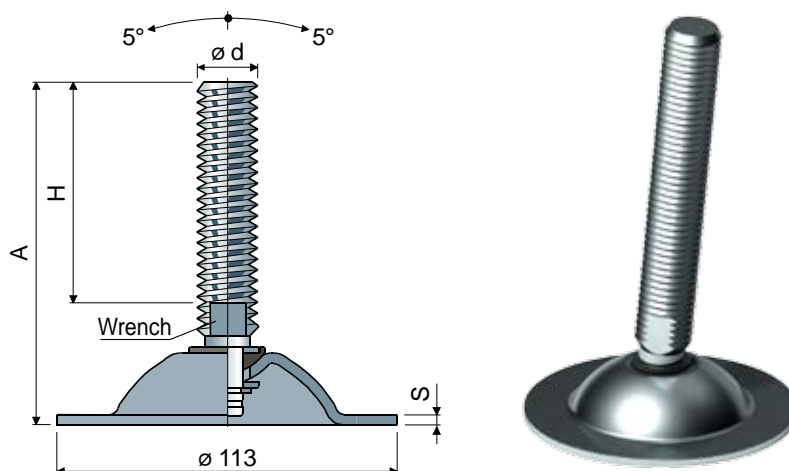
On request

- Spindles with: Sunk hexagon head • second wrench seat head • hexagon wrench seat • threads with other pitches and lengths • stainless steel AISI 316.
- Assembling of: Nuts • washers.
- Box quantity: According to your request.

Adjustable feet

(base in steel)

Ø 113 Part. 98

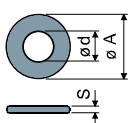


Spindle measures in mm			Spindle and base material				
$\varnothing d$	A	H	Wrench	Zinc plated steel Code	Stainless steel AISI 304 Code	Max static load (N)	
M16x2	100	58	13	98 / 7584	98 / 7585	15000 (zinc plated) S = 3,5	
	131	89	13	98 / 89306	98 / 89313		
	161	119	13	98 / 7918	98 / 7919		
	187	145	13	98 / 7586	98 / 7587		
	243	201	13	98 / 7588	98 / 7589		
M18x2,5	199	157	15	98 / 82140	98 / 82141		
	134	89	17	98 / 87324	98 / 87325		
	152	107	17	98 / 7590	98 / 7591		
M20x2,5	181	136	17	98 / 7592	98 / 7593		10000 (AISI 304) S = 3
	202	157	17	98 / 7594	98 / 7595		
	235	190	17	98 / 83238	98 / 83239		
	283	238	17	98 / 83240	98 / 83241		
	138	90	19	98 / 7596	98 / 7597		
M24x3	175	127	19	98 / 7598	98 / 7599		
	210	162	19	98 / 7600	98 / 7601		
	250	202	19	98 / 83242	98 / 83243		
	173	125	24	98 / 7602	98 / 7603		
M30x3,5	233	185	24	98 / 7604	98 / 7605		

Materials: Spindle and base in zinc plated steel or stainless steel AISI 304; washer in reinforced polyamide.

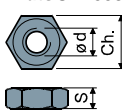
Box quantity: 8 pieces.

Washers UNI 6592-69 - Box quantity: 24 pieces.



$\varnothing M$	M16	M20	M24	M30
Smm	3	3	4	4
$\varnothing A$ mm	30	37	44	56
Zinc plated steel codes	7289	7290	7293	7295
Stainless steel codes	7291	7292	7294	7296

Nuts UNI 5588-65 - Box quantity: 24 pieces.



$\varnothing d$	M16	M20	M24	M30
Smm	13	16	19	24
Ch. mm	24	30	36	46
Zinc plated steel codes	7275	7276	7279	7281
Stainless steel codes	7277	7278	7280	7282

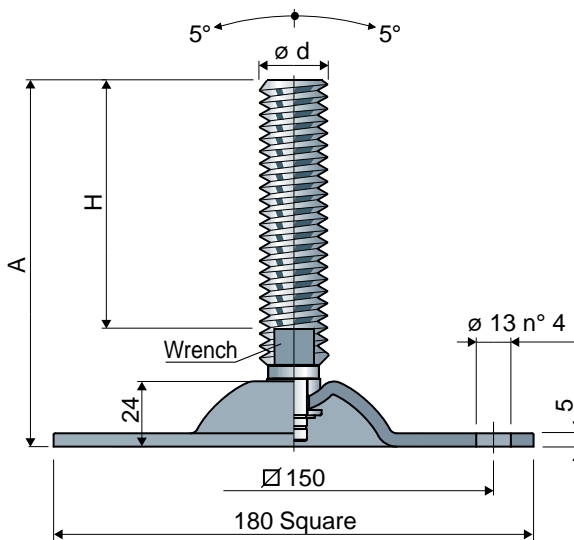
On request

- Spindles with: Sunk hexagon head • second wrench seat head • hexagon wrench seat • threads with other pitches and lengths • stainless steel AISI 316.
- Assembling of: Nuts • washers.
- Box quantity: According to your request.

Adjustable feet

(base in steel)

Part. **94** \square 180



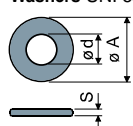
Spindle measures in mm

$\varnothing d$	A	H	Wrench	Spindle and base in zinc plated steel		Spindle and base in stainless steel AISI 304		Max static load (N)
				Code	Code			
M16x2	100	57	13	94 / 82968	94 / 86119	45000		
	131	89	13	94 / 89308	94 / 89315			
	161	118	13	94 / 82970	94 / 86121			
	187	144	13	94 / 82972	94 / 86123			
M18x2,5	243	200	13	94 / 82974	94 / 86125	46000		
	199	157	15	94 / 82976	94 / 86127			
	134	89	17	94 / 87326	94 / 87327			
M20x2,5	152	107	17	94 / 82978	94 / 86129	47000		
	181	136	17	94 / 82980	94 / 86131			
	202	157	17	94 / 82982	94 / 86133			
	235	190	17	94 / 82984	94 / 86135			
	283	238	17	94 / 83262	94 / 86137			
M24x3	138	90	19	94 / 82986	94 / 86139	48000		
	175	127	19	94 / 82988	94 / 86141			
	210	162	19	94 / 82990	94 / 86143			
	250	202	19	94 / 83264	94 / 86145			
M30x3,5	173	125	24	94 / 82992	94 / 86147	49000		
	233	185	24	94 / 82994	94 / 86149			

Materials: Spindle and base in zinc plated steel or stainless steel AISI 304.

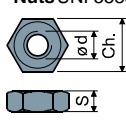
Box quantity: 8 pieces.

Washers UNI 6592-69 - Box quantity: 24 pieces.



$\varnothing M$	M16	M20	M24	M30
Smm	3	3	4	4
$\varnothing A$ mm	30	37	44	56
Zinc plated steel codes	7289	7290	7293	7295
Stainless steel codes	7291	7292	7294	7296

Nuts UNI 5588-65 - Box quantity: 24 pieces.

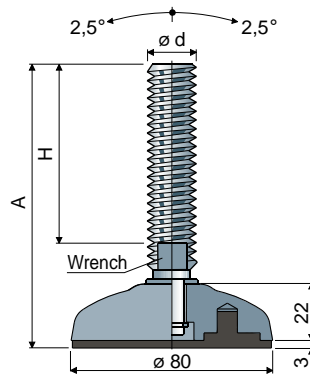


$\varnothing d$	M16	M20	M24	M30
Smm	13	16	19	24
Ch. mm	24	30	36	46
Zinc plated steel codes	7275	7276	7279	7281
Stainless steel codes	7277	7278	7280	7282

On request

- Spindles with: Sunk hexagon head • second wrench seat head • hexagon wrench seat • threads with other pitches and lengths.
- Assembling of: Nuts • washers.
- Box quantity: According to your request.

Adjustable feet (base in steel)



∅ 80 Part. 95

Spindle measures in mm			Base in nickel plated steel			Max static load (N)
$\varnothing d$	A	H	Wrench	Spindle in zinc plated steel Code	Spindle in stainless steel AISI 304 Code	
M16x2	101	58	13	95 / 7532	95 / 7533	46000
	132	89	13	95 / 89310	95 / 89317	
	162	119	13	95 / 7910	95 / 7911	
	188	145	13	95 / 7534	95 / 7535	
	244	201	13	95 / 7536	95 / 7537	
M18x2,5	200	157	15	95 / 82144	95 / 82145	47000
	135	89	17	95 / 87328	95 / 87329	
	153	107	17	95 / 7538	95 / 7539	
M20x2,5	182	136	17	95 / 7540	95 / 7541	47000
	203	157	17	95 / 7542	95 / 7543	
	236	190	17	95 / 83244	95 / 83245	
	284	238	17	95 / 83246	95 / 83247	
	139	90	19	95 / 7544	95 / 7545	
M24x3	176	127	19	95 / 7546	95 / 7547	48000
	211	162	19	95 / 7548	95 / 7549	
	250	202	19	95 / 83248	95 / 83249	

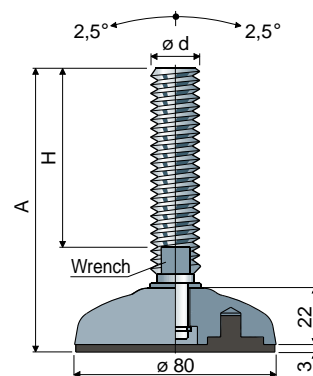
Base material: Nickel plated steel.

Features: The feet are complete with anti-slip pad made out of thermoplastic rubber 68 Shore black colour.

Box quantity: 8 pieces.

∅ 80 Part. 95

Spindle measures in mm			Base in painted steel			Max static load (N)
$\varnothing d$	A	H	Wrench	Spindle in zinc plated steel Code	Spindle in stainless steel AISI 304 Code	
M16x2	101	58	13	95 / 91062	95 / 91063	46000
	132	89	13	95 / 91064	95 / 91065	
	162	119	13	95 / 91066	95 / 91067	
	188	145	13	95 / 91068	95 / 91069	
	244	201	13	95 / 91070	95 / 91071	
M18x2,5	200	157	15	95 / 91072	95 / 91073	47000
	135	89	17	95 / 91074	95 / 91075	
	153	107	17	95 / 91076	95 / 91077	
M20x2,5	182	136	17	95 / 91078	95 / 91079	47000
	203	157	17	95 / 91080	95 / 91081	
	236	190	17	95 / 91082	95 / 91083	
	284	238	17	95 / 91084	95 / 91085	
	139	90	19	95 / 91086	95 / 91087	
M24x3	176	127	19	95 / 91088	95 / 91089	48000
	211	162	19	95 / 91090	95 / 91091	
	250	202	19	95 / 91092	95 / 91093	

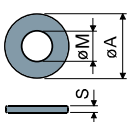


Base material: Painted steel, yellow colour, Ral 1007.

Features: The feet are complete with anti-slip pad made out of thermoplastic rubber 68 Shore black colour.

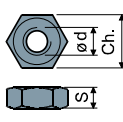
Box quantity: 8 pieces.

Washers UNI 6592-69 - Box quantity: 24 pieces.



$\varnothing M$	M16	M20	M24
Smm	3	3	4
$\varnothing A$ mm	30	37	44
Zinc plated steel codes	7289	7290	7293
Stainless steel codes	7291	7292	7294

Nuts UNI 5588-65 - Box quantity: 24 pieces.



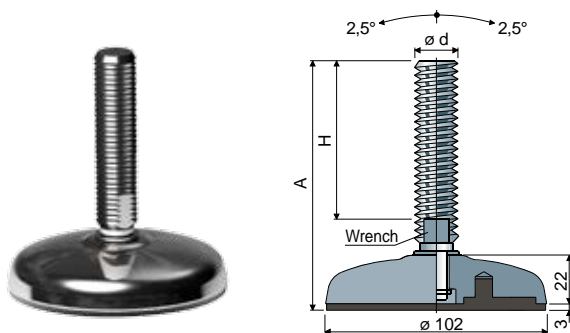
$\varnothing d$	M16	M20	M24
Smm	13	16	19
Ch. mm	24	30	36
Zinc plated steel codes	7275	7276	7279
Stainless steel codes	7277	7278	7280

On request

- Spindles with: Sunk hexagon head • second wrench seat head • hexagon wrench seat • threads with other pitches and lengths • stainless steel AISI 316.
- Assembling of: Nuts • washers.
- Box quantity: According to your request.

Adjustable feet (base in steel)

Part. **97** \varnothing **102**



Spindle measures in mm				Base in nickel plated steel		Base in stainless steel AISI 304	Max static load (N)
$\varnothing d$	A	H	Wrench	Spindle in zinc plated steel	Spindle in stainless steel AISI 304	Spindle in stainless steel AISI 304	
				Code	Code	Code	
M16x2	101	58	13	97 / 7550	97 / 7551	97 / 87296	50000
	132	89	13	97 / 89312	97 / 89319	97 / 89321	
	162	119	13	97 / 7912	97 / 7913	97 / 87297	
	188	145	13	97 / 7182	97 / 7183	97 / 87298	
	244	201	13	97 / 7184	97 / 7185	97 / 87299	
M18x2,5	200	157	15	97 / 82146	97 / 82147	97 / 87300	51000
	135	89	17	97 / 87330	97 / 87331	97 / 87443	
M20x2,5	153	107	17	97 / 7186	97 / 7187	97 / 87301	
	182	136	17	97 / 7552	97 / 7553	97 / 87302	
	203	157	17	97 / 7188	97 / 7189	97 / 87303	
	236	190	17	97 / 83250	97 / 83251	97 / 87304	
	284	238	17	97 / 83252	97 / 83253	97 / 87305	
M24x3	139	90	19	97 / 7190	97 / 7191	97 / 87306	52000
	176	127	19	97 / 7554	97 / 7555	97 / 87307	
	211	162	19	97 / 7192	97 / 7193	97 / 87308	
	250	202	19	97 / 83254	97 / 83255	97 / 87309	

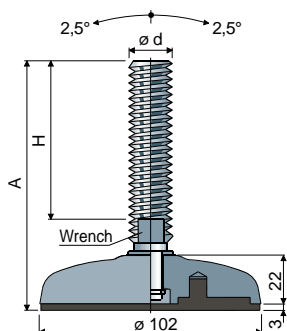
Base material: Nickel plated steel or stainless steel AISI 304.

Features: The feet are complete with anti-slip pad made out of thermoplastic rubber 68 Shore black colour.

Box quantity: 8 pieces.

Part. **97** \varnothing **102**

NEW



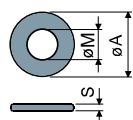
Spindle measures in mm				Base in painted steel		Max static load (N)
$\varnothing d$	A	H	Wrench	Spindle in zinc plated steel	Spindle in stainless steel AISI 304	
				Code	Code	
M16x2	101	58	13	97 / 91094	97 / 91095	50000
	132	89	13	97 / 91096	97 / 91097	
	162	119	13	97 / 91098	97 / 91099	
	188	145	13	97 / 91100	97 / 91101	
	244	201	13	97 / 91102	97 / 91103	
M18x2,5	200	157	15	97 / 91104	97 / 91105	51000
	135	89	17	97 / 91106	97 / 91107	
M20x2,5	153	107	17	97 / 91108	97 / 91109	
	182	136	17	97 / 91110	97 / 91111	
	203	157	17	97 / 91112	97 / 91113	
	236	190	17	97 / 91114	97 / 91115	
	284	238	17	97 / 91116	97 / 91117	
M24x3	139	90	19	97 / 91118	97 / 91119	52000
	176	127	19	97 / 91120	97 / 91121	
	211	162	19	97 / 91122	97 / 91123	
	250	202	19	97 / 91124	97 / 91125	

Base material: Painted steel, yellow colour, Ral 1007.

Features: The feet are complete with anti-slip pad made out of thermoplastic rubber 68 Shore black colour.

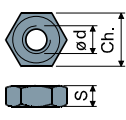
Box quantity: 8 pieces.

Washers UNI 6592-69 - Box quantity: 24 pieces.



$\varnothing M$	M16	M20	M24
Smm	3	3	4
$\varnothing A$ mm	30	37	44
Zinc plated steel codes	7289	7290	7293
Stainless steel codes	7291	7292	7294

Nuts UNI 5588-65 - Box quantity: 24 pieces.

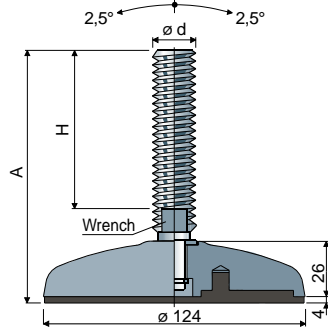


$\varnothing d$	M16	M20	M24
Smm	13	16	19
Ch. mm	24	30	36
Zinc plated steel codes	7275	7276	7279
Stainless steel codes	7277	7278	7280

On request

- Spindles with: Sunk hexagon head • second wrench seat head • hexagon wrench seat • threads with other pitches and lengths • stainless steel AISI 316.
- Assembling of: Nuts • washers.
- Box quantity: According to your request.

Adjustable feet (base in steel)



∅ 124 Part. 99

Spindle measures in mm				Base in nickel plated steel		Base in stainless steel AISI 304		Max static load (N)
∅d	A	H	Wrench	Spindle in zinc plated steel	Spindle in stainless steel AISI 304	Spindle in stainless steel AISI 304		
				Code	Code	Code		
M16x2	104	58	13	99 / 7556	99 / 7557	99 / 87281	55000	
	135	89	13	99 / 89316	99 / 89323	99 / 89325		
	165	119	13	99 / 7914	99 / 7915	99 / 87282		
	191	145	13	99 / 7194	99 / 7195	99 / 87283		
	247	201	13	99 / 7196	99 / 7197	99 / 87284		
M18x2,5	203	157	15	99 / 82148	99 / 82149	99 / 87285	56000	
	138	89	17	99 / 87332	99 / 87333	99 / 87445		
	156	107	17	99 / 7198	99 / 7199	99 / 87286		
	185	136	17	99 / 7558	99 / 7559	99 / 87287		
	206	157	17	99 / 7200	99 / 7201	99 / 87288		
M20x2,5	239	190	17	99 / 83256	99 / 83257	99 / 87289	57000	
	287	238	17	99 / 83258	99 / 83259	99 / 87290		
	142	90	19	99 / 7202	99 / 7203	99 / 87291		
	179	127	19	99 / 7560	99 / 7561	99 / 87292		
	214	162	19	99 / 7204	99 / 7205	99 / 87293		
M24x3	254	202	19	99 / 83260	99 / 83261	99 / 87294	58000	
	177	125	24	99 / 7206	99 / 7207	99 / 87295		
	237	185	24	99 / 7208	99 / 7209	99 / 87193		

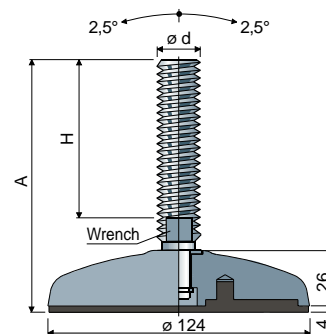
Base material: Nickel plated steel or stainless steel AISI 304.

Features: The feet are complete with anti-slip pad made out of thermoplastic rubber 68 Shore black colour.

Box quantity: 8 pieces.

Spindle measures in mm				Base in painted steel		Max static load (N)	
∅d	A	H	Wrench	Spindle in zinc plated steel	Spindle in stainless steel AISI 304		
				Code	Code		
M16x2	104	58	13	99 / 91126	99 / 91127	55000	
	135	89	13	99 / 91128	99 / 91129		
	165	119	13	99 / 91130	99 / 91131		
	191	145	13	99 / 91132	99 / 91133		
	247	201	13	99 / 91134	99 / 91135		
M18x2,5	203	157	15	99 / 91136	99 / 91137	56000	
	138	89	17	99 / 91138	99 / 91139		
	156	107	17	99 / 91140	99 / 91141		
	185	136	17	99 / 91142	99 / 91143		
	206	157	17	99 / 91144	99 / 91145		
M20x2,5	239	190	17	99 / 91146	99 / 91147	57000	
	287	238	17	99 / 91148	99 / 91149		
	142	90	19	99 / 91150	99 / 91151		
	179	127	19	99 / 91152	99 / 91153		
	214	162	19	99 / 91154	99 / 91155		
M24x3	254	202	19	99 / 91156	99 / 91157	58000	
	177	125	24	99 / 91158	99 / 91159		
	237	185	24	99 / 91160	99 / 91161		

∅ 124 Part. 99

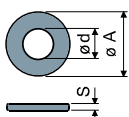


Base material: Painted steel, yellow colour, Ral 1007.

Features: The feet are complete with anti-slip pad made out of thermoplastic rubber 68 Shore black colour.

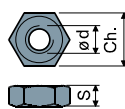
Box quantity: 8 pieces.

Washers UNI 6592-69 - Box quantity: 24 pieces.



∅ M	M16	M20	M24	M30
Smm	3	3	4	4
∅ A mm	30	37	44	56
Zinc plated steel codes	7289	7290	7293	7295
Stainless steel codes	7291	7292	7294	7296

Nuts UNI 5588-65 - Box quantity: 24 pieces.



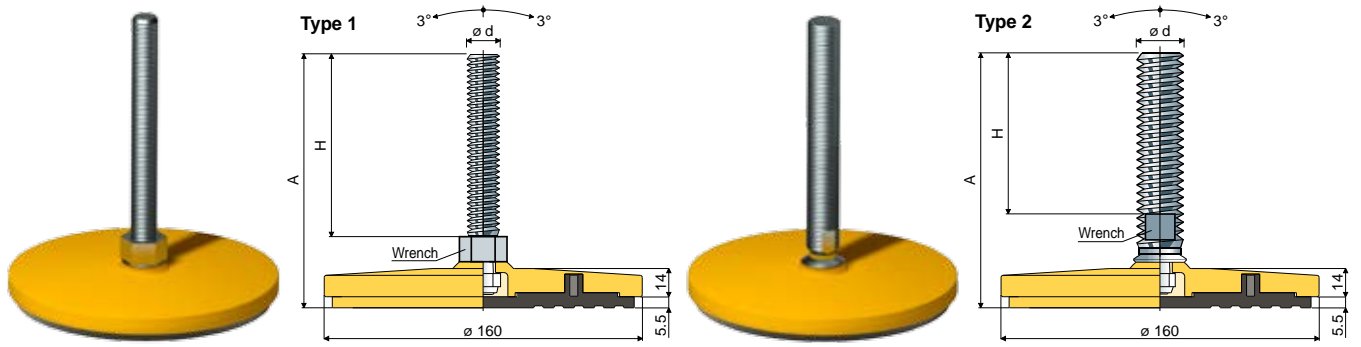
∅ d	M16	M20	M24	M30
Smm	13	16	19	24
Ch. mm	24	30	36	46
Zinc plated steel codes	7275	7276	7279	7281
Stainless steel codes	7277	7278	7280	7282

On request

- Spindles with: Sunk hexagon head • second wrench seat head • hexagon wrench seat • threads with other pitches and lengths • stainless steel AISI 316.
- Assembling of: Nuts • washers.
- Box quantity: According to your request.

Adjustable feet (base in painted steel)

Part. 129 \varnothing 160



Spindle measures in mm				Spindle in zinc plated steel		Spindle in stainless steel		Max static load (N)
$\varnothing d$	A	H	Wrench	Type 1 Code	Type 2 Code	Type 1 Code	Type 2 Code	
M16x2	95	57	24	129 / 88760	-	129 / 88769	-	55000
	127	89	24	129 / 89318	-	129 / 89327	-	
	156	118	24	129 / 88762	-	129 / 88763	-	
	182	144	24	129 / 88764	-	129 / 88765	-	
	238	200	24	129 / 88766	-	129 / 88767	-	
M20x2,5	135	89	17	-	129 / 88770	-	129 / 88771	56000
	153	107	17	-	129 / 88772	-	129 / 88773	
	182	136	17	-	129 / 88774	-	129 / 88775	
	203	157	17	-	129 / 88776	-	129 / 88777	
	236	190	17	-	129 / 88778	-	129 / 88779	
M24x3	284	238	17	-	129 / 88780	-	129 / 88781	57000
	138	90	19	-	129 / 88782	-	129 / 88783	
	175	127	19	-	129 / 88784	-	129 / 88785	
	210	162	19	-	129 / 88786	-	129 / 88787	
M30x3,5	250	202	19	-	129 / 88788	-	129 / 88789	58000
	173	125	24	-	129 / 88790	-	129 / 88791	
	233	185	24	-	129 / 88792	-	129 / 88793	

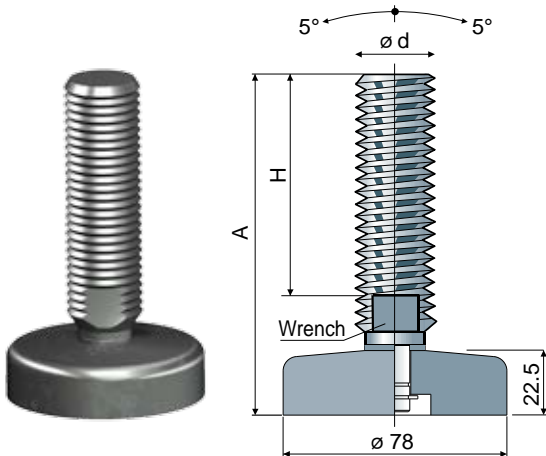
Base material: Painted steel, yellow colour, Ral 1007.

Features: Complete with anti-slip pad made out of thermoplastic rubber 68 Shore black colour.

Box quantity: 8 pieces.

Adjustable feet, sanitizable (base in stainless steel)

Part. 115 \varnothing 78



Spindle measures in mm				Spindle and base in stainless steel AISI 304 Code	Max static load (N)
$\varnothing d$	A	H	Wrench		
M16x2	99	58	13	115 / 83958	55000
	130	89	13	115 / 89320	
	160	119	13	115 / 83959	
	186	145	13	115 / 83960	
	242	201	13	115 / 83961	
M20x2,5	132	89	17	115 / 87334	56000
	150	107	17	115 / 83962	
	179	136	17	115 / 83963	
	200	157	17	115 / 83964	
	233	190	17	115 / 83965	
M24x3	281	238	17	115 / 83966	57000
	136	90	19	115 / 83967	
	173	127	19	115 / 83968	
	208	162	19	115 / 83969	
M30x3,5	248	202	19	115 / 83970	58000
	171	125	24	115 / 83971	
	231	185	24	115 / 83831	

Material: Spindle and base in stainless steel AISI 304.

Box quantity: 8 pieces.

Washers UNI 6592-69 - Box quantity: 24 pieces.

$\varnothing M$	M16	M20	M24	M30
Smm	3	3	4	4
$\varnothing A$ mm	30	37	44	56
Stainless steel codes	7291	7292	7294	7296

Nuts UNI 5588-65 - Box quantity: 24 pieces.

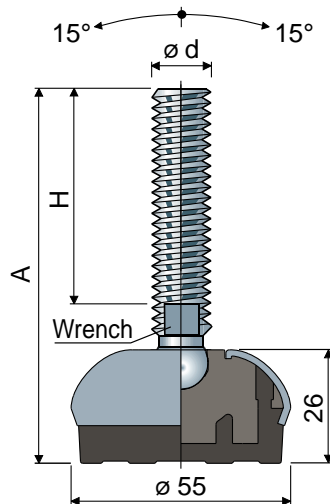
$\varnothing d$	M16	M20	M24	M30
Smm	13	16	19	24
Ch. mm	24	30	36	46
Stainless steel codes	7277	7278	7280	7282

On request

- Spindles with: Sunk hexagon head • second wrench seat head • hexagon wrench seat • threads with other pitches and lengths • stainless steel AISI 316.
- Assembling of: Nuts • washers.
- Box quantity: According to your request.

Articulated feet, sanitizable

(base in stainless steel)



Ø 55 Part. 113



Spindle measures in mm				Spindle and base in stainless steel AISI 304		Max static load (N)
ød	A	H	Wrench	Code		
M8x1,25	80	45	6	113 / 83791	11000	
	100	65	6	113 / 83792		
	142	107	6	113 / 83793		
M10x1,5	71	35	8	113 / 83794	12000	
	107	70	8	113 / 83795		
	152	115	8	113 / 83796		
M12x1,75	82	43	10	113 / 83797	13000	
	102	63	10	113 / 83798		
	116	77	10	113 / 83799		
	132	93	10	113 / 83822		
	162	123	10	113 / 83823		
M14x2	102	61	12	113 / 83824	14000	
	132	91	12	113 / 83825		
	157	116	12	113 / 83826		
M16x2	103	60	13	113 / 83784	15000	
	133	90	13	113 / 83785		
	148	105	13	113 / 83786		
	168	125	13	113 / 83787		
	198	155	13	113 / 83788		
	208	165	13	113 / 83789		
	248	205	13	113 / 83790		

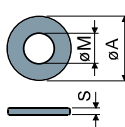
Spindle measures in inches				Spindle and base in stainless steel AISI 304		Max static load (N)
ød	A	H	Wrench	Code		
1/2" -13 UNC	5,19"	4"	7/16"	113 / 83827	13000	
5/8" -11 UNC	8,70"	7"	1/2"	113 / 83800	15000	
3/4" -10 UNC	8,78"	7"	5/8"	113 / 83801	19000	

Base material: Internal part made of reinforced polyamide; external covering made of stainless steel AISI 304; anti-slip pad made of thermoplastic rubber 68 Shore black colour.

Features: Co-moulded anti-slip pad allows a perfect adherence with steel base. Consequent absence of internal cavities makes foot extremely cleanable.

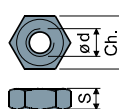
Box quantity: 8 pieces.

Washers UNI 6592-69 - Box quantity: 24 pieces.



øM	M8	M10	M12	M14	M16
Smm	1,6	2	2,5	2,5	3
øA mm	17	21	24	28	30
Stainless steel codes	7637	7286	7287	7288	7291

Nuts UNI 5588-65 - Box quantity: 24 pieces.



ø d	M8	M10	M12	M14	M16
Smm	6,5	8	10	11	13
Ch. mm	13	17	19	22	24
Stainless steel codes	7635	7272	7273	7274	7277

On request

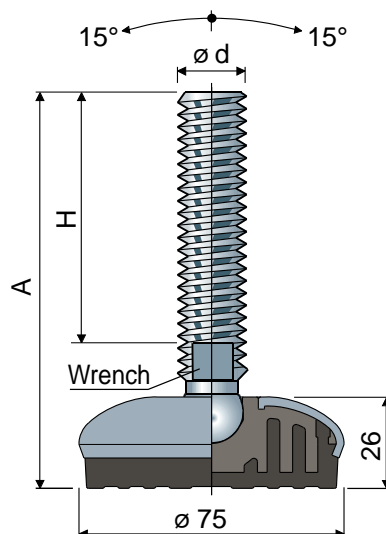
- Spindles with: Sunk hexagon head • second wrench seat head • hexagon wrench seat • threads with other pitches and lengths • stainless steel AISI 316.
- Anti-slip pads: White colour.
- Assembling of: Nuts • washers.
- Box quantity: According to your request.

Thread sizes in inches are expressed as the number of threads (UNC coarse thread) per Imperial inch

Articulated feet, sanitizable

(base in stainless steel)

Part. **107** \varnothing **75**



Spindle measures in mm				Spindle and base in stainless steel AISI 304		Max static load (N)
$\varnothing d$	A	H	Wrench	Code		
M16x2	103	60	13	107 / 83524	19000	
	133	90	13	107 / 83525		
	148	105	13	107 / 83526		
	168	125	13	107 / 83527		
	198	155	13	107 / 83528		
	208	165	13	107 / 83529		
M20x2,5	248	205	13	107 / 83530	21000	
	132	86	17	107 / 83531		
	162	116	17	107 / 83532		
	187	141	17	107 / 83533		
	207	161	17	107 / 88856		
M24x3	244	198	17	107 / 83534	23000	
	142	96	19	107 / 83535		
	168	122	19	107 / 83536		
	198	152	19	107 / 83537		
M30x3,5	228	182	19	107 / 83538	25000	
	346	300	19	107 / 83539		
	190	144	24	107 / 86221		

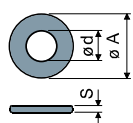
Spindle measures in inches				Spindle and base in stainless steel AISI 304		Max static load (N)
$\varnothing d$	A	H	Wrench	Code		
5/8"-11 UNC	8,70"	7"	1/2"	107 / 83592	19000	
3/4"-10 UNC	8,78"	7"	5/8"	107 / 83593	21000	

Base material: Internal part made of reinforced polyamide; external covering made of stainless steel AISI 304; anti-slip pad made of thermoplastic rubber 68 Shore black colour.

Features: Co-moulded anti-slip pad allows a perfect adherence with steel base. Consequent absence of internal cavities makes foot extremely cleanable.

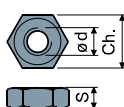
Box quantity: 8 pieces.

Washers UNI 6592-69 - Box quantity: 24 pieces.



$\varnothing M$	M16	M20	M24	M30
Smm	3	3	4	4
$\varnothing A$ mm	30	37	44	56
Stainless steel codes	7291	7292	7294	7296

Nuts UNI 5588-65 - Box quantity: 24 pieces.



$\varnothing d$	M16	M20	M24	M30
Smm	13	16	19	24
Ch. mm	24	30	36	46
Stainless steel codes	7277	7278	7280	7282

On request

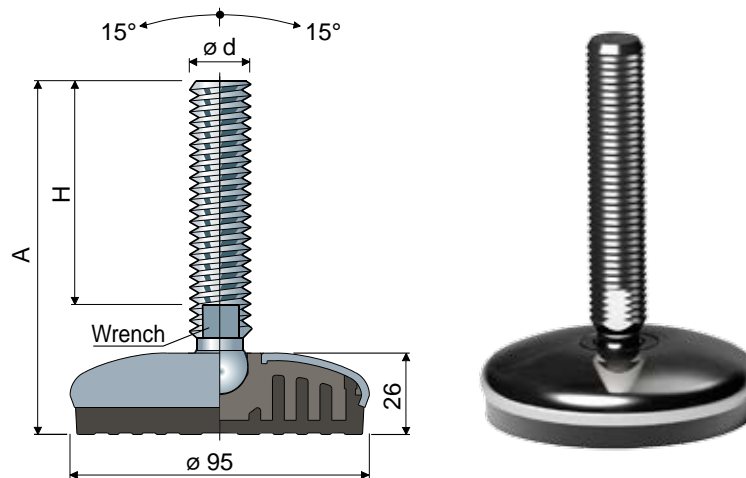
- Spindles with: Sunk hexagon head • second wrench seat head • hexagon wrench seat • threads with other pitches and lengths • stainless steel AISI 316.
- Anti-slip pads: White colour.
- Assembling of: Nuts • washers.
- Box quantity: According to your request.

Thread sizes in inches are expressed as the number of threads (UNC coarse thread) per Imperial inch

Articulated feet, sanitizable

(base in stainless steel)

Ø 95 Part. 101



Spindle measures in mm				Spindle and base in stainless steel AISI 304 Code	Max static load (N)
$\varnothing d$	A	H	Wrench		
M16x2	103	60	13	101 / 83073	22000
	133	90	13	101 / 83074	
	148	105	13	101 / 83075	
	168	125	13	101 / 83076	
	198	155	13	101 / 83077	
	208	165	13	101 / 83078	
M20x2,5	248	205	13	101 / 83263	24000
	132	86	17	101 / 83079	
	162	116	17	101 / 83209	
	187	141	17	101 / 83081	
	207	161	17	101 / 88857	
M24x3	244	198	17	101 / 83082	26000
	142	96	19	101 / 83083	
	168	122	19	101 / 83084	
	198	152	19	101 / 83085	
M30x3,5	228	182	19	101 / 83086	28000
	346	300	19	101 / 83087	
	190	144	24	101 / 86220	

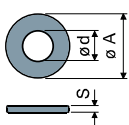
Spindle measures in inches				Spindle and base in stainless steel AISI 304 Code	Max static load (N)
$\varnothing d$	A	H	Wrench		
5/8"-11 UNC	8,70"	7"	1/2"	101 / 83145	22000
3/4"-10 UNC	8,78"	7"	5/8"	101 / 83155	24000

Base material: Internal part made of reinforced polyamide; external covering made of stainless steel AISI 304; anti-slip pad made of thermoplastic rubber 68 Shore black colour.

Features: Co-moulded anti-slip pad allows a perfect adherence with steel base. Consequent absence of internal cavities makes foot extremely cleanable.

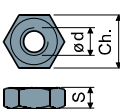
Box quantity: 8 pieces.

Washers UNI 6592-69 - Box quantity: 24 pieces.



$\varnothing M$	M16	M20	M24	M30
Smm	3	3	4	4
$\varnothing A$ mm	30	37	44	56
Stainless steel codes	7291	7292	7294	7296

Nuts UNI 5588-65 - Box quantity: 24 pieces.



$\varnothing d$	M16	M20	M24	M30
Smm	13	16	19	24
Ch. mm	24	30	36	46
Stainless steel codes	7277	7278	7280	7282

On request

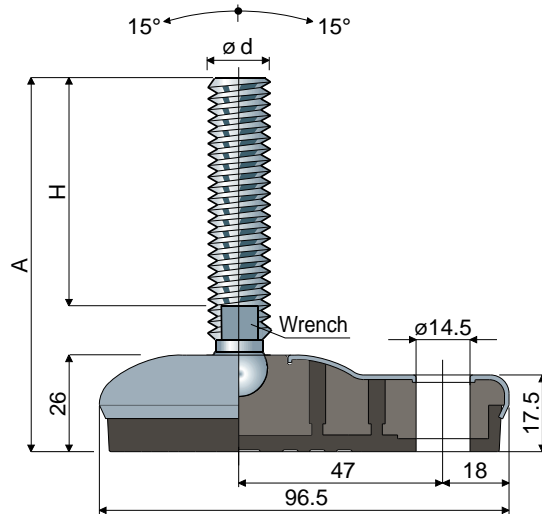
- Spindles with: Sunk hexagon head • second wrench seat head • hexagon wrench seat • threads with other pitches and lengths • stainless steel AISI 316.
- Anti-slip pads: White colour.
- Assembling of: Nuts • washers.
- Box quantity: According to your request.

Thread sizes in inches are expressed as the number of threads (UNC coarse thread) per Imperial inch

Articulated feet, sanitizable with side fixing system

(base in stainless steel)

Part. **120 65x96**



Spindle measures in mm				Spindle and base in stainless steel AISI 304		Max static load (N)
$\varnothing d$	A	H	Wrench	Code		
M8x1,25	80	45	6	120 / 84837	13000	
	100	65	6	120 / 84838		
	142	107	6	120 / 84839		
M10x1,5	71	35	8	120 / 84840	14000	
	107	70	8	120 / 84841		
	152	115	8	120 / 84842		
M12x1,75	82	43	10	120 / 84843	15000	
	102	63	10	120 / 84844		
	116	77	10	120 / 84845		
	132	93	10	120 / 84846		
	162	123	10	120 / 84847		
M14x2	102	61	12	120 / 84848	16000	
	132	91	12	120 / 84849		
	157	116	12	120 / 84850		
M16x2	103	60	13	120 / 84851	17000	
	133	90	13	120 / 84852		
	148	105	13	120 / 84853		
	168	125	13	120 / 84854		
	198	155	13	120 / 84855		
	208	165	13	120 / 84856		
248	205	13	120 / 84857			

Spindle measures in inches				Spindle and base in stainless steel AISI 304		Max static load (N)
$\varnothing d$	A	H	Wrench	Code		
1/2"-13 UNC	5,20"	3,64"	7/16"	120 / 84862	22000	
5/8"-11 UNC	8,7"	7"	1/2"	120 / 84863	22000	
3/4"-10 UNC	8,77"	7"	5/8"	120 / 84864	24000	

Base material: Internal part made of reinforced polyamide; external covering made of stainless steel AISI 304; anti-slip pad made of thermoplastic rubber 68 Shore black colour.

Features: Co-moulded anti-slip pad allows a perfect adherence with steel base. Consequent absence of internal cavities makes foot extremely cleanable.

Box quantity: 8 pieces.

Washers UNI 6592-69 - Box quantity: 24 pieces.

$\varnothing M$	M8	M10	M12	M14	M16
Smm	1,6	2	2,5	2,5	3
$\varnothing A$ mm	17	21	24	28	30
Stainless steel codes	7637	7286	7287	7288	7291

Nuts UNI 5588-65 - Box quantity: 24 pieces.

$\varnothing d$	M8	M10	M12	M14	M16
Smm	6,5	8	10	11	13
Ch. mm	13	17	19	22	24
Stainless steel codes	7635	7272	7273	7274	7277

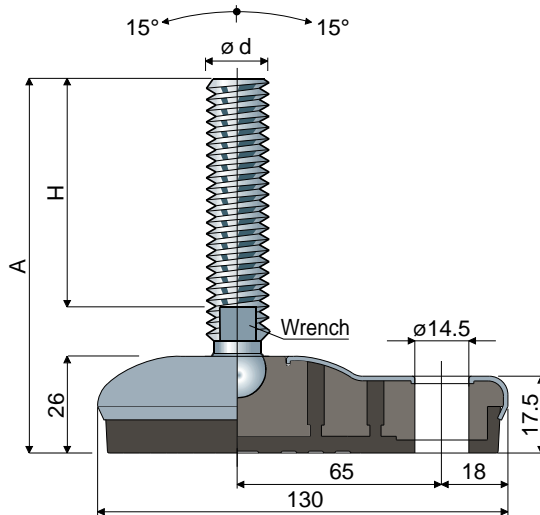
On request

- Spindles with: Sunk hexagon head • second wrench seat head • hexagon wrench seat • threads with other pitches and lengths • stainless steel AISI 316.
- Anti-slip pads: White colour.
- Assembling of: Nuts • washers.
- Box quantity: According to your request.

Thread sizes in inches are expressed as the number of threads (UNC coarse thread) per Imperial inch

Articulated feet, sanitizable with side fixing system

(base in stainless steel)



95x130 Part. **111**



Spindle measures in mm				Spindle and base in stainless steel AISI 304 Code	Max static load (N)
ød	A	H	Wrench		
M16x2	103	60	13	111 / 83762	22000
	133	90	13	111 / 83763	
	148	105	13	111 / 83764	
	168	125	13	111 / 83765	
	198	155	13	111 / 83766	
	208	165	13	111 / 83767	
M20x2,5	248	205	13	111 / 83768	24000
	134	86	17	111 / 83769	
	164	116	17	111 / 83770	
	189	141	17	111 / 83771	
	209	161	17	111 / 88858	
M24x3	246	198	17	111 / 83772	26000
	143	96	19	111 / 83773	
	169	122	19	111 / 83774	
	199	152	19	111 / 83775	
M30x3,5	229	182	19	111 / 83776	28000
	347	300	19	111 / 83777	
	188	144	24	111 / 86219	

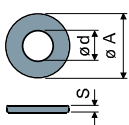
Spindle measures in inches				Spindle and base in stainless steel AISI 304 Code	Max static load (N)
ød	A	H	Wrench		
5/8"-11 UNC	8,76"	7"	1/2"	111 / 83778	22000
3/4"-10 UNC	8,84"	7"	5/8"	111 / 83779	24000

Base material: Internal part made of reinforced polyamide; external covering made of stainless steel AISI 304; anti-slip pad made of thermoplastic rubber 68 Shore black colour.

Features: Co-moulded anti-slip pad allows a perfect adherence with steel base. Consequent absence of internal cavities makes foot extremely cleanable.

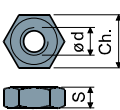
Box quantity: 8 pieces.

Washers UNI 6592-69 - Box quantity: 24 pieces.



ø M	M16	M20	M24	M30
Smm	3	3	4	4
ø A mm	30	37	44	56
Stainless steel codes	7291	7292	7294	7296

Nuts UNI 5588-65 - Box quantity: 24 pieces.



ø d	M16	M20	M24	M30
Smm	13	16	19	24
Ch. mm	24	30	36	46
Stainless steel codes	7277	7278	7280	7282

On request

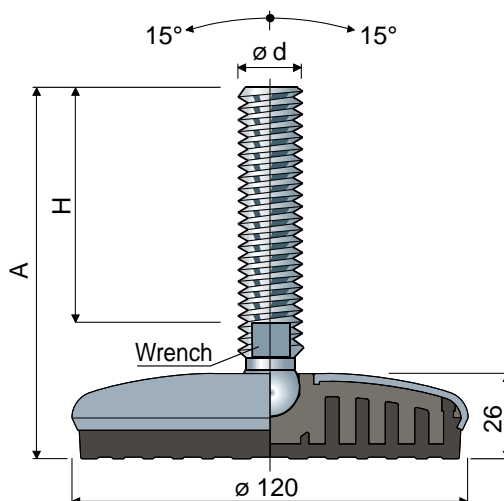
- Spindles with: Sunk hexagon head • second wrench seat head • hexagon wrench seat • threads with other pitches and lengths • stainless steel AISI 316.
- Anti-slip pads: White colour.
- Assembling of: Nuts • washers.
- Box quantity: According to your request.

Thread sizes in inches are expressed as the number of threads (UNC coarse thread) per Imperial inch

Articulated feet, sanitizable

(base in stainless steel)

Part. **109** \varnothing **120**



Spindle measures in mm				Wrench	Spindle and base in stainless steel AISI 304		Max static load (N)
$\varnothing d$	A	H	Code				
M16x2	103	60	13	109 / 83558	25000		
	133	90	13	109 / 83559			
	148	105	13	109 / 83560			
	168	125	13	109 / 83561			
	198	155	13	109 / 83562			
	208	165	13	109 / 83563			
M20x2,5	248	205	13	109 / 83564	27000		
	132	86	17	109 / 83565			
	162	116	17	109 / 83566			
	187	141	17	109 / 83567			
	207	161	17	109 / 88859			
M24x3	244	198	17	109 / 83568	29000		
	142	96	19	109 / 83569			
	168	122	19	109 / 83570			
	198	152	19	109 / 83571			
M30x3,5	228	182	19	109 / 83572	31000		
	346	300	19	109 / 83573			
	191	144	24	109 / 86218			

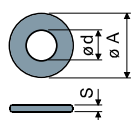
Spindle measures in inches				Wrench	Spindle and base in stainless steel AISI 304		Max static load (N)
$\varnothing d$	A	H	Code				
5/8"-11 UNC	8,70"	7"	1/2"	109 / 83594	25000		
3/4"-10 UNC	8,78"	7"	5/8"	109 / 83595	27000		

Base material: Internal part made of reinforced polyamide; external covering made of stainless steel AISI 304; anti-slip pad made of thermoplastic rubber 68 Shore black colour.

Features: Co-moulded anti-slip pad allows a perfect adherence with steel base. Consequent absence of internal cavities makes foot extremely cleanable.

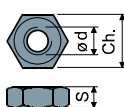
Box quantity: 8 pieces.

Washers UNI 6592-69 - Box quantity: 24 pieces.



$\varnothing M$	M16	M20	M24	M30
Smm	3	3	4	4
$\varnothing A$ mm	30	37	44	56
Stainless steel codes	7291	7292	7294	7296

Nuts UNI 5588-65 - Box quantity: 24 pieces.



$\varnothing d$	M16	M20	M24	M30
Smm	13	16	19	24
Ch. mm	24	30	36	46
Stainless steel codes	7277	7278	7280	7282

On request

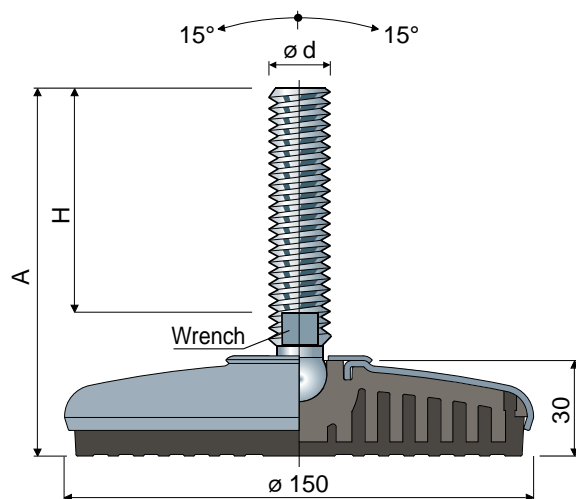
- Spindles with: Sunk hexagon head • second wrench seat head • hexagon wrench seat • threads with other pitches and lengths • stainless steel AISI 316.
- Anti-slip pads: White colour.
- Assembling of: Nuts • washers.
- Box quantity: According to your request.

Thread sizes in inches are expressed as the number of threads (UNC coarse thread) per Imperial inch

Articulated feet, sanitizable

(base in stainless steel)

Ø 150 Part. 125



Spindle measures in mm				Spindle and base in stainless steel AISI 304 Code	Max static load (N)
ød	A	H	Wrench		
M20x2,5	137	86	17	125 / 86006	33000
	167	116	17	125 / 86007	
	192	141	17	125 / 86008	
	212	161	17	125 / 88860	
	249	198	17	125 / 86009	
M24x3	147	96	19	125 / 86011	35000
	173	122	19	125 / 86012	
	203	152	19	125 / 86013	
	233	182	19	125 / 86014	
	351	300	19	125 / 86015	
M30x3,5	195	144	24	125 / 86020	38000

Base material: Internal part made of reinforced polyamide; external covering made of stainless steel AISI 304; anti-slip pad made of thermoplastic rubber 68 Shore black colour.

Features: Co-moulded anti-slip pad allows a perfect adherence with steel base. Consequent absence of internal cavities makes foot extremely cleanable.

Box quantity: 8 pieces.

Washers UNI 6592-69 - Box quantity: 24 pieces.

ø M	M20	M24	M30
Smm	3	4	4
ø A mm	37	44	56
Stainless steel codes	7292	7294	7296

Nuts UNI 5588-65 - Box quantity: 24 pieces.

ø d	M20	M24	M30
Smm	16	19	24
Ch. mm	30	36	46
Stainless steel codes	7278	7280	7282

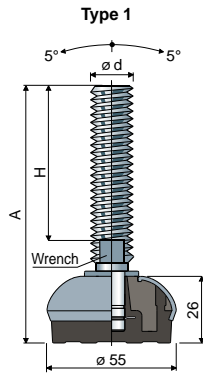
On request

- Spindles with: Sunk hexagon head • second wrench seat head • hexagon wrench seat • threads with other pitches and lengths • stainless steel AISI 316.
- Anti-slip pads: White colour.
- Assembling of: Nuts • washers.
- Box quantity: According to your request.

Adjustable feet, sanitizable

(base in stainless steel)

Part. 114 Ø 55



Base material: Internal part made of reinforced polyamide; external covering made of stainless steel AISI 304; anti-slip pad made of thermoplastic rubber 68 Shore black, white or blue Ral 5005 colour.

Features: Co-moulded anti-slip pad allows a perfect adherence with steel base. Consequent absence of internal cavities makes foot extremely cleanable. Feet with M12 spindle diameter are supplied with hexagonal adjustment for 19 mm. wrench.

Box quantity: 8 pieces.

Type 1								
Spindle measures in mm				Spindle and base in stainless steel AISI 304				
Ød	A	H	Wrench	Black anti-slip pad Code	White anti-slip pad Code	Blue Ral 5005 anti-slip pad Code	Max static load (N)	
M12x1,75	110	70	19	114 / 83802	114 / 85874	114 / 88141	15000	
M14x2	148	108	12	114 / 83803	114 / 85875	114 / 88142		
	102	58	13	114 / 83804	114 / 85876	114 / 88143		
M16x2	133	89	13	114 / 89322	114 / 89324	114 / 89326	20000	
	163	119	13	114 / 83805	114 / 85877	114 / 88144		
	189	145	13	114 / 83806	114 / 85878	114 / 88145		
245	201	13	114 / 83807	114 / 85879	114 / 88146			
M18x2,5	201	157	15	114 / 83808	114 / 85880	114 / 88147		
	135	89	17	114 / 87337	114 / 87338	114 / 88148		
	153	107	17	114 / 83809	114 / 85881	114 / 88149		
M20x2,5	182	136	17	114 / 83810	114 / 85882	114 / 88150	20000	
	203	157	17	114 / 83811	114 / 85883	114 / 88151		
	236	190	17	114 / 83812	114 / 85884	114 / 88152		
284	238	17	114 / 83813	114 / 85885	114 / 88153			
M24x3	139	90	13	114 / 83814	114 / 85886	114 / 88154		20000
	176	127	13	114 / 83815	114 / 85887	114 / 88155		
	211	162	13	114 / 83816	114 / 85888	114 / 88156		
251	202	13	114 / 83817	114 / 85889	114 / 88157			
M30x3,5	174	125	13	114 / 83818	114 / 85890	114 / 88158	20000	
	234	185	13	114 / 83819	114 / 85891	114 / 88159		

Washers UNI 6592-69 - Box quantity: 24 pieces.

Ø M	M12	M14	M16	M20	M24	M30
Smm	2,5	2,5	3	3	4	4
Ø A mm	24	28	30	37	44	56
Stainless steel codes	7287	7288	7291	7292	7294	7296

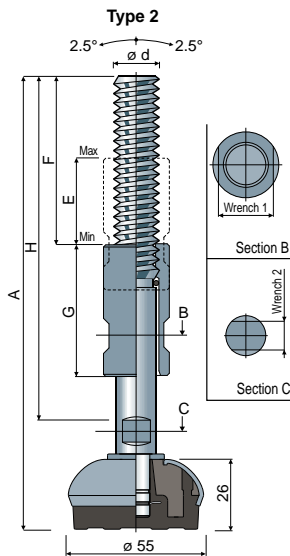
Nuts UNI 5588-65 - Box quantity: 24 pieces.

Ø d	M12	M14	M16	M20	M24	M30
Smm	10	11	13	16	19	24
Ch. mm	19	22	24	30	36	46
Stainless steel codes	7273	7274	7277	7278	7280	7282

On request

- Spindles with: Sunk hexagon head • second wrench seat head • hexagon wrench seat • threads with other pitches and lengths • stainless steel AISI 316.
- Anti-slip pads: In thermoplastic rubber 68 SHORE blue RAL 5005 FDA APPROVED.
- Assembling of: Nuts • washers.
- Box quantity: According to your request.

Part. 114 Ø 55



Base material: Internal part made of reinforced polyamide; external covering made of stainless steel AISI 304; anti-slip pad made of thermoplastic rubber 68 Shore black, white or blue Ral 5005 colour.

Features: Co-moulded anti-slip pad allows a perfect adherence with steel base. Consequent absence of internal cavities makes foot extremely cleanable. The threaded insert guarantees the protection of the spindle thread.

Box quantity: 8 pieces.

On request

- Spindles with: Stainless steel AISI 316.
- Anti-slip pads: In thermoplastic rubber 68 SHORE blue RAL 5005 FDA APPROVED.
- Box quantity: According to your request.

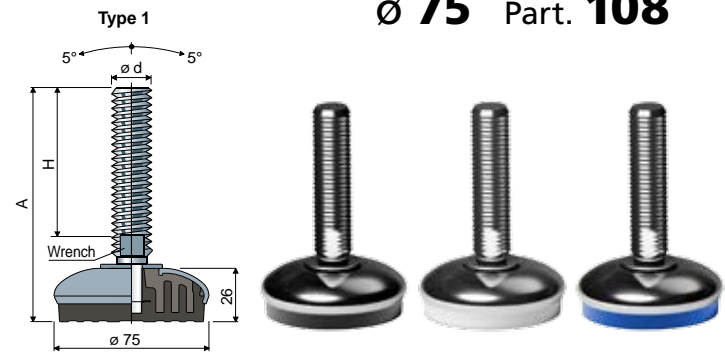
Type 2											
Spindle measures in mm						Spindle and base in stainless steel AISI 304					
Ød	A	H	F	E	G	Wrench 1	Wrench 2	Black anti-slip pad Code	White anti-slip pad Code	Blue Ral 5005 anti-slip pad Code	Max static load (N)
M16x2	200	159	73	39	60	22	12	114 / 88008	114 / 88010	114 / 88160	20000
	260	220	100	78	100	22	12	114 / 88009	114 / 88011	114 / 88161	
M20x2,5	200	159	73	39	60	25	13	114 / 85164	114 / 85892	114 / 88162	
	260	220	100	78	100	25	13	114 / 85165	114 / 85893	114 / 88163	
M24x3	200	159	73	39	60	30	17	114 / 88012	114 / 88014	114 / 88164	
	260	220	100	78	100	30	17	114 / 88013	114 / 88015	114 / 88165	

Adjustable feet, sanitizable

(base in stainless steel)

Ø 75 Part. 108

Type 1								
Spindle measures in mm				Spindle and base in stainless steel AISI 304				
ød	A	H	Wrench	Black anti-slip pad	White anti-slip pad	Blue Ral 5005 anti-slip pad	Max static load (N)	
				Code	Code	Code		
M12x1,75	110	70	19	108 / 83540	108 / 85894	108 / 88166	17000	
M14x2	148	108	12	108 / 83541	108 / 85895	108 / 88167		
	102	58	13	108 / 83542	108 / 85896	108 / 88168		
	133	89	13	108 / 89328	108 / 89329	108 / 89330		
M16x2	163	119	13	108 / 83543	108 / 85897	108 / 88169		
	189	145	13	108 / 83544	108 / 85898	108 / 88170		
	245	201	13	108 / 83545	108 / 85899	108 / 88171		
M18x2,5	201	157	15	108 / 83546	108 / 85900	108 / 88172		
	135	89	17	108 / 87335	108 / 87336	108 / 88173		
	153	107	17	108 / 83547	108 / 85901	108 / 88174		
M20x2,5	182	136	17	108 / 83548	108 / 85902	108 / 88175		24000
	203	157	17	108 / 83549	108 / 85903	108 / 88176		
	236	190	17	108 / 83550	108 / 85904	108 / 88177		
	284	238	17	108 / 83551	108 / 85905	108 / 88178		
M24x3	139	90	19	108 / 83552	108 / 85906	108 / 88179		
	176	127	19	108 / 83553	108 / 85907	108 / 88180		
	211	162	19	108 / 83554	108 / 85908	108 / 88181		
	251	202	19	108 / 83555	108 / 85909	108 / 88182		
M30x3,5	174	125	24	108 / 83556	108 / 85910	108 / 88183		
	234	185	24	108 / 83557	108 / 85911	108 / 88184		

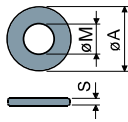


Base material: Internal part made of reinforced polyamide; external covering made of stainless steel AISI 304; anti-slip pad made of thermoplastic rubber 68 Shore black, white or blue Ral 5005 colour.

Features: Co-moulded anti-slip pad allows a perfect adherence with steel base. Consequent absence of internal cavities makes foot extremely cleanable. Feet with M12 spindle diameter are supplied with hexagonal adjustment for 19 mm. wrench.

Box quantity: 8 pieces.

Washers UNI 6592-69 - Box quantity: 24 pieces.



ø M	M12	M14	M16	M20	M24	M30
Smm	2,5	2,5	3	3	4	4
ø A mm	24	28	30	37	44	56
Stainless steel codes	7287	7288	7291	7292	7294	7296

Nuts UNI 5588-65 - Box quantity: 24 pieces.

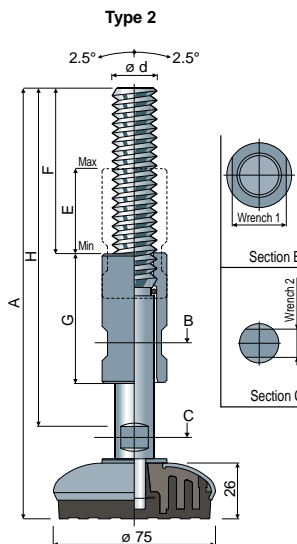


ø d	M12	M14	M16	M20	M24	M30
Smm	10	11	13	16	19	24
Ch. mm	19	22	24	30	36	46
Stainless steel codes	7273	7274	7277	7278	7280	7282

On request

- Spindles with: Sunk hexagon head • second wrench seat head • hexagon wrench seat • threads with other pitches and lengths • stainless steel AISI 316.
- Anti-slip pads: In thermoplastic rubber 68 SHORE blue RAL 5005 FDA APPROVED.
- Assembling of: Nuts • washers.
- Box quantity: According to your request.

Ø 75 Part. 108



Type 2											
Spindle measures in mm						Spindle and base in stainless steel AISI 304					
ød	A	H	F	E	G	Wrench 1	Wrench 2	Black anti-slip pad	White anti-slip pad	Blue Ral 5005 anti-slip pad	Max static load (N)
								Code	Code	Code	
M16x2	200	159	73	39	60	22	12	108 / 88016	108 / 88018	108 / 88185	24000
	260	220	100	78	100	22	12	108 / 88017	108 / 88019	108 / 88186	
M20x2,5	200	159	73	39	60	25	13	108 / 84134	108 / 85912	108 / 88187	
	260	220	100	78	100	25	13	108 / 84190	108 / 85913	108 / 88188	
M24x3	200	159	73	39	60	30	17	108 / 88020	108 / 88022	108 / 88189	
	260	220	100	78	100	30	17	108 / 88021	108 / 88023	108 / 88190	

Base material: Internal part made of reinforced polyamide; external covering made of stainless steel AISI 304; anti-slip pad made of thermoplastic rubber 68 Shore black, white or blue Ral 5005 colour.

Features: Co-moulded anti-slip pad allows a perfect adherence with steel base. Consequent absence of internal cavities makes foot extremely cleanable. The threaded insert guarantees the protection of the spindle thread.

Box quantity: 8 pieces.

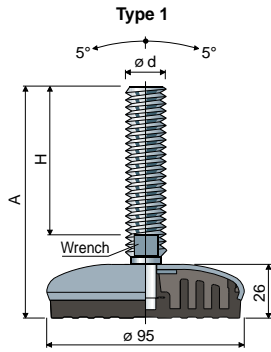
On request

- Spindles with: Stainless steel AISI 316.
- Anti-slip pads: In thermoplastic rubber 68 SHORE blue RAL 5005 FDA APPROVED.
- Box quantity: According to your request.

Adjustable feet, sanitizable

(base in stainless steel)

Part. **103** \varnothing **95**



Base material: Internal part made of reinforced polyamide; external covering made of stainless steel AISI 304; anti-slip pad made of thermoplastic rubber 68 Shore black, white or blue Ral 5005 colour.

Features: Co-moulded anti-slip pad allows a perfect adherence with steel base. Consequent absence of internal cavities makes foot extremely cleanable. Feet with M12 spindle diameter are supplied with hexagonal adjustment for 19 mm. wrench.

Box quantity: 8 pieces.

		Type 1						
Spindle measures in mm		Spindle and base in stainless steel AISI 304						
$\varnothing d$	A	H	Wrench	Black anti-slip pad Code	White anti-slip pad Code	Blue Ral 5005 anti-slip pad Code	Max static load (N)	
M12x1,75	110	70	19	103 / 83043	103 / 85854	103 / 88191	17000	
M14x2	148	108	12	103 / 83052	103 / 85856	103 / 88192		
	102	58	13	103 / 83053	103 / 85856	103 / 88193		
	133	89	13	103 / 89331	103 / 89332	103 / 89333		
M16x2	163	119	13	103 / 83054	103 / 83651	103 / 88194		
	189	145	13	103 / 83055	103 / 85858	103 / 88195		
	245	201	13	103 / 83056	103 / 85859	103 / 88196		
M18x2,5	201	157	15	103 / 83057	103 / 85860	103 / 88197		
	135	89	17	103 / 87339	103 / 87340	103 / 88198		
	153	107	17	103 / 83058	103 / 85861	103 / 88199		
M20x2,5	182	136	17	103 / 83059	103 / 83627	103 / 88200		27000
	203	157	17	103 / 83060	103 / 85862	103 / 88201		
	236	190	17	103 / 83061	103 / 85863	103 / 88202		
M24x3	284	238	17	103 / 83062	103 / 85864	103 / 88203		
	139	90	19	103 / 83063	103 / 85865	103 / 88204		
	176	127	19	103 / 83064	103 / 85866	103 / 88205		
M30x3,5	211	162	19	103 / 83065	103 / 85867	103 / 88206		
	251	202	19	103 / 83066	103 / 85868	103 / 88207		
M30x3,5	174	125	24	103 / 83067	103 / 85869	103 / 88208		
	234	185	24	103 / 83068	103 / 85870	103 / 88209		

Washers UNI 6592-69 - Box quantity: 24 pieces.

$\varnothing M$	M12	M14	M16	M20	M24	M30
Smm	2,5	2,5	3	3	4	4
$\varnothing A$ mm	24	28	30	37	44	56
Stainless steel codes	7287	7288	7291	7292	7294	7296

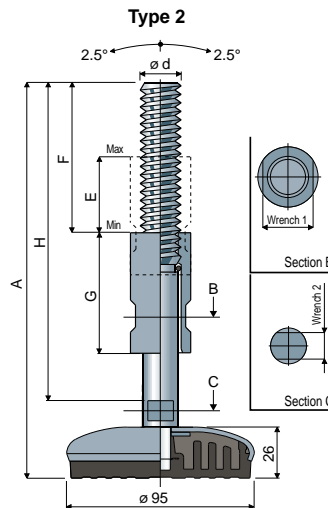
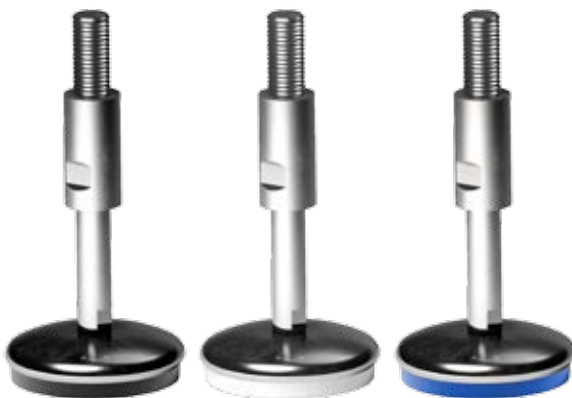
Nuts UNI 5588-65 - Box quantity: 24 pieces.

$\varnothing d$	M12	M14	M16	M20	M24	M30
Smm	10	11	13	16	19	24
Ch. mm	19	22	24	30	36	46
Stainless steel codes	7273	7274	7277	7278	7280	7282

On request

- Spindles with: Sunk hexagon head • second wrench seat head • hexagon wrench seat • threads with other pitches and lengths • stainless steel AISI 316.
- Anti-slip pads: In thermoplastic rubber 68 SHORE blue RAL 5005 FDA APPROVED.
- Assembling of: Nuts • washers.
- Box quantity: According to your request.

Part. **103** \varnothing **95**



Base material: Internal part made of reinforced polyamide; external covering made of stainless steel AISI 304; anti-slip pad made of thermoplastic rubber 68 Shore black, white or blue Ral 5005 colour.

Features: Co-moulded anti-slip pad allows a perfect adherence with steel base. Consequent absence of internal cavities makes foot extremely cleanable. The threaded insert guarantees the protection of the spindle thread.

Box quantity: 8 pieces.

On request

- Spindles with: Stainless steel AISI 316.
- Anti-slip pads: In thermoplastic rubber 68 SHORE blue RAL 5005 FDA APPROVED.
- Box quantity: According to your request.

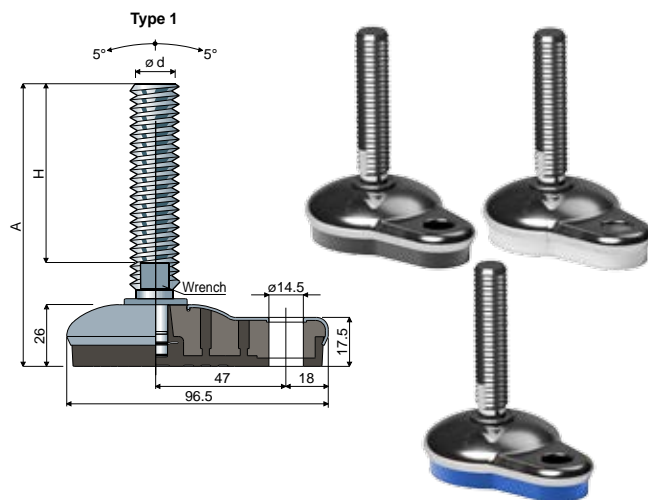
		Type 2									
Spindle measures in mm		Spindle and base in stainless steel AISI 304									
$\varnothing d$	A	H	F	E	G	Wrench 1	Wrench 2	Black anti-slip pad Code	White anti-slip pad Code	Blue Ral 5005 anti-slip pad Code	Max static load (N)
M16x2	200	159	73	39	60	22	12	103 / 88024	103 / 88026	103 / 88210	27000
	260	220	100	78	100	22	12	103 / 88025	103 / 88027	103 / 88211	
M20x2,5	200	159	73	39	60	25	13	103 / 83465	103 / 85872	103 / 88212	
	260	220	100	78	100	25	13	103 / 84191	103 / 85873	103 / 88213	
M24x3	200	159	73	39	60	30	17	103 / 88028	103 / 88030	103 / 88214	
	260	220	100	78	100	30	17	103 / 88029	103 / 88031	103 / 88215	

Adjustable feet, sanitizable with side fixing system

(base in stainless steel)

65x96 Part. 119

		Type 1					
Spindle measures in mm		Spindle and base in stainless steel AISI 304					
ød	A	H	Wrench	Black	White	Blue Ral 5005	Max static load (N)
				anti-slip pad	anti-slip pad	anti-slip pad	
				Code	Code	Code	
M12x1,75	110	70	19	119 / 84819	119 / 85914	119 / 88216	17000
M14x2	148	108	12	119 / 84820	119 / 85915	119 / 88217	
	102	58	13	119 / 84821	119 / 85916	119 / 88218	
	133	89	13	119 / 89334	119 / 89335	119 / 89336	
M16x2	163	119	13	119 / 84822	119 / 85917	119 / 88219	
	189	145	13	119 / 84823	119 / 85918	119 / 88220	
	245	201	13	119 / 84824	119 / 85919	119 / 88221	
M18x2,5	201	157	15	119 / 84825	119 / 85920	119 / 88222	22000
	135	89	17	119 / 87347	119 / 87348	119 / 88223	
	153	107	17	119 / 84826	119 / 85921	119 / 88224	
M20x2,5	182	136	17	119 / 84827	119 / 85922	119 / 88225	
	203	157	17	119 / 84828	119 / 85923	119 / 88226	
	236	190	17	119 / 84829	119 / 85924	119 / 88227	
	284	238	17	119 / 84830	119 / 85925	119 / 88228	

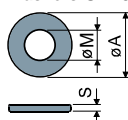


Base material: Internal part made of reinforced polyamide; external covering made of stainless steel AISI 304; anti-slip pad made of thermoplastic rubber 68 Shore black, white or blue Ral 5005 colour.

Features: Co-moulded anti-slip pad allows a perfect adherence with steel base. Consequent absence of internal cavities makes foot extremely cleanable. Feet with M12 spindle diameter are supplied with hexagonal adjustment for 19 mm. wrench.

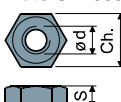
Box quantity: 8 pieces.

Washers UNI 6592-69 - Box quantity: 24 pieces.



ø M	M12	M14	M16	M20	M24	M30
Smm	2,5	2,5	3	3	4	4
ø A mm	24	28	30	37	44	56
Stainless steel codes	7287	7288	7291	7292	7294	7296

Nuts UNI 5588-65 - Box quantity: 24 pieces.

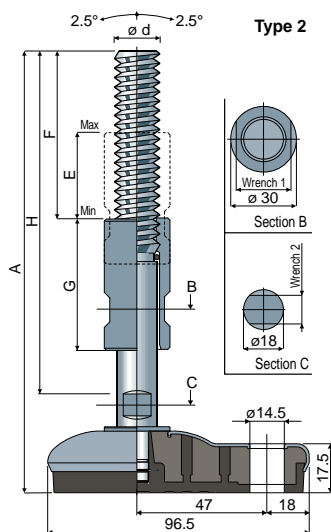


ø d	M12	M14	M16	M20	M24	M30
Smm	10	11	13	16	19	24
Ch. mm	19	22	24	30	36	46
Stainless steel codes	7273	7274	7277	7278	7280	7282

On request

- Spindles with: Sunk hexagon head • second wrench seat head • hexagon wrench seat • threads with other pitches and lengths • stainless steel AISI 316.
- Anti-slip pads: In thermoplastic rubber 68 SHORE blue RAL 5005 FDA APPROVED.
- Assembling of: Nuts • washers.
- Box quantity: According to your request.

65x96 Part. 119



		Type 2									
Spindle measures in mm		Spindle and base in stainless steel AISI 304									
ød	A	H	F	E	G	Wrench 1	Wrench 2	Black	White	Blue Ral 5005	Max static load (N)
								anti-slip pad	anti-slip pad	anti-slip pad	
				Code	Code	Code					
M16x2	200	159	73	39	60	22	12	119 / 88032	119 / 88034	119 / 88229	
	260	220	100	78	100	22	12	119 / 88033	119 / 88035	119 / 88230	
M20x2,5	200	159	73	39	60	25	13	119 / 85088	119 / 85926	119 / 88231	
	260	220	100	78	100	25	13	119 / 85089	119 / 85927	119 / 88232	22000
M24x3	200	159	73	39	60	30	17	119 / 88036	119 / 88038	119 / 88233	
	260	220	100	78	100	30	17	119 / 88037	119 / 88039	119 / 88234	

Base material: Internal part made of reinforced polyamide; external covering made of stainless steel AISI 304; anti-slip pad made of thermoplastic rubber 68 Shore black, white or blue Ral 5005 colour.

Features: Co-moulded anti-slip pad allows a perfect adherence with steel base. Consequent absence of internal cavities makes foot extremely cleanable. The threaded insert guarantees the protection of the spindle thread.

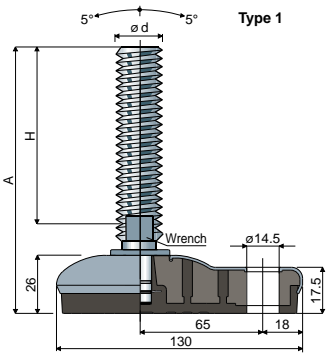
Box quantity: 8 pieces.

On request

- Spindles with: Stainless steel AISI 316.
- Anti-slip pads: In thermoplastic rubber 68 SHORE blue RAL 5005 FDA APPROVED.
- Box quantity: According to your request.

Adjustable feet, sanitizable with side fixing system (base in stainless steel)

Part. 112 95x130

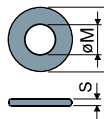


Type 1							
Spindle measures in mm				Spindle and base in stainless steel AISI 304			
$\varnothing d$	A	H	Wrench	Black anti-slip pad Code	White anti-slip pad Code	Blue Ral 5005 anti-slip pad Code	Max static load (N)
M12x1,75	110	70	19	112 / 83744	112 / 85928	112 / 88235	17000
M14x2	148	108	12	112 / 83745	112 / 85929	112 / 88236	
M16x2	102	58	13	112 / 83746	112 / 85930	112 / 88237	27000
	133	89	13	112 / 89337	112 / 89338	112 / 89339	
	163	119	13	112 / 83747	112 / 85931	112 / 88238	
	189	145	13	112 / 83748	112 / 85932	112 / 88239	
M18x2,5	245	201	13	112 / 83749	112 / 85933	112 / 88240	27000
	201	157	15	112 / 83750	112 / 85934	112 / 88241	
	135	89	17	112 / 87341	112 / 87342	112 / 88242	
	153	107	17	112 / 83751	112 / 85935	112 / 88243	
M20x2,5	182	136	17	112 / 83752	112 / 84222	112 / 88244	27000
	203	157	17	112 / 83753	112 / 85936	112 / 88245	
	236	190	17	112 / 83754	112 / 85937	112 / 88246	
	284	238	17	112 / 83755	112 / 85938	112 / 88247	
M24x3	139	90	19	112 / 83756	112 / 85939	112 / 88248	27000
	176	127	19	112 / 83757	112 / 85940	112 / 88249	
	211	162	19	112 / 83758	112 / 85941	112 / 88250	
	251	202	19	112 / 83759	112 / 85942	112 / 88251	
M30x3,5	174	125	24	112 / 83760	112 / 85943	112 / 88252	27000
	234	185	24	112 / 83761	112 / 84223	112 / 88253	

Base material: Internal part made of reinforced polyamide; external covering made of stainless steel AISI 304; anti-slip pad made of thermoplastic rubber 68 Shore black, white or blue Ral 5005 colour.

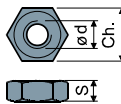
Features: Co-moulded anti-slip pad allows a perfect adherence with steel base. Consequent absence of internal cavities makes foot extremely cleanable. Feet with M12 spindle diameter are supplied with hexagonal adjustment for 19 mm. wrench. **Box quantity:** 8 pieces.

Washers UNI 6592-69 - Box quantity: 24 pieces.



$\varnothing M$	M12	M14	M16	M20	M24	M30
Smm	2,5	2,5	3	3	4	4
$\varnothing A$ mm	24	28	30	37	44	56
Stainless steel codes	7287	7288	7291	7292	7294	7296

Nuts UNI 5588-65 - Box quantity: 24 pieces.

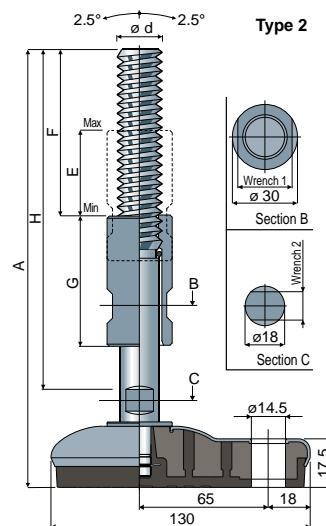


$\varnothing d$	M12	M14	M16	M20	M24	M30
Smm	10	11	13	16	19	24
Ch. mm	19	22	24	30	36	46
Stainless steel codes	7273	7274	7277	7278	7280	7282

On request

- Spindles with: Sunk hexagon head • second wrench seat head • hexagon wrench seat • threads with other pitches and lengths • stainless steel AISI 316.
- Anti-slip pads: In thermoplastic rubber 68 SHORE blue RAL 5005 FDA APPROVED.
- Assembling of: Nuts • washers.
- Box quantity: According to your request.

Part. 112 95x130



Type 2											
Spindle measures in mm					Spindle and base in stainless steel AISI 304						
$\varnothing d$	A	H	F	E	G	Wrench 1	Wrench 2	Black anti-slip pad Code	White anti-slip pad Code	Blue Ral 5005 anti-slip pad Code	Max static load (N)
M16x2	200	159	73	39	60	22	12	112 / 88040	112 / 88042	112 / 88254	27000
	260	220	100	78	100	22	12	112 / 88041	112 / 88043	112 / 88255	
M20x2,5	200	159	73	39	60	25	13	112 / 84135	112 / 85944	112 / 88256	27000
	260	220	100	78	100	25	13	112 / 84193	112 / 85945	112 / 88257	
M24x3	200	159	73	39	60	30	17	112 / 88044	112 / 88046	112 / 88258	27000
	260	220	100	78	100	30	17	112 / 88045	112 / 88047	112 / 88259	

Base material: Internal part made of reinforced polyamide; external covering made of stainless steel AISI 304; anti-slip pad made of thermoplastic rubber 68 Shore black, white or blue Ral 5005 colour.

Features: Co-moulded anti-slip pad allows a perfect adherence with steel base. Consequent absence of internal cavities makes foot extremely cleanable. The threaded insert guarantees the protection of the spindle thread. **Box quantity:** 8 pieces.

On request

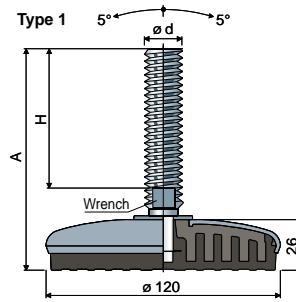
- Spindles with: Stainless steel AISI 316.
- Anti-slip pads: In thermoplastic rubber 68 SHORE blue RAL 5005 FDA APPROVED.
- Box quantity: According to your request.

Adjustable feet, sanitizable

(base in stainless steel)

Ø 120 Part. 110

Type 1							
Spindle measures in mm			Spindle and base in stainless steel AISI 304				
Ød	A	H	Wrench	Black	White	Blue Ral 5005	Max static load (N)
				anti-slip pad	anti-slip pad	anti-slip pad	
				Code	Code	Code	
M12x1,75	110	70	19	110 / 83574	110 / 85949	110 / 88260	17000
M14x2	148	108	12	110 / 83575	110 / 85950	110 / 88261	
	102	58	13	110 / 83576	110 / 85951	110 / 88262	
M16x2	133	89	13	110 / 89340	110 / 89341	110 / 89342	
	163	119	13	110 / 83577	110 / 85952	110 / 88263	
	189	145	13	110 / 83578	110 / 85953	110 / 88264	
M18x2,5	245	201	13	110 / 83579	110 / 85954	110 / 88265	
	201	157	15	110 / 83580	110 / 85955	110 / 88266	
M20x2,5	135	89	17	110 / 87343	110 / 87344	110 / 88267	30000
	153	107	17	110 / 83581	110 / 85956	110 / 88268	
	182	136	17	110 / 83582	110 / 85957	110 / 88269	
	203	157	17	110 / 83583	110 / 85958	110 / 88270	
M24x3	236	190	17	110 / 83584	110 / 85959	110 / 88271	
	284	238	17	110 / 83585	110 / 85960	110 / 88272	
	139	90	19	110 / 83586	110 / 85961	110 / 88273	
	176	127	19	110 / 83587	110 / 85962	110 / 88274	
M30x3,5	211	162	19	110 / 83588	110 / 85963	110 / 88275	
	251	202	19	110 / 83589	110 / 85964	110 / 88276	
M30x3,5	174	125	24	110 / 83590	110 / 85965	110 / 88277	
	234	185	24	110 / 83591	110 / 85966	110 / 88278	



Base material: Internal part made of reinforced polyamide; external covering made of stainless steel AISI 304; anti-slip pad made of thermoplastic rubber 68 Shore black, white or blue Ral 5005 colour.
Features: Co-moulded anti-slip pad allows a perfect adherence with steel base. Consequent absence of internal cavities makes foot extremely cleanable. Feet with M12 spindle diameter are supplied with hexagonal adjustment for 19 mm. wrench.
Box quantity: 8 pieces.

Washers UNI 6592-69 - Box quantity: 24 pieces.

ØM	M12	M14	M16	M20	M24	M30
Smm	2,5	2,5	3	3	4	4
ØAmm	24	28	30	37	44	56
Stainless steel codes	7287	7288	7291	7292	7294	7296

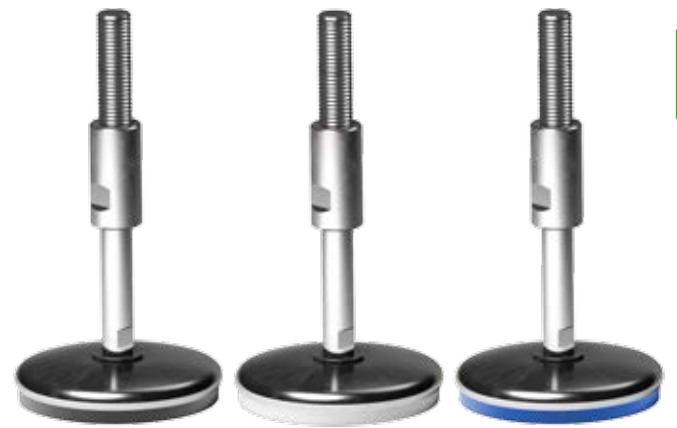
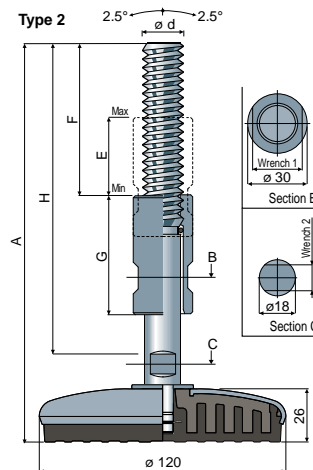
Nuts UNI 5588-65 - Box quantity: 24 pieces.

Ø d	M12	M14	M16	M20	M24	M30
Smm	10	11	13	16	19	24
Ch. mm	19	22	24	30	36	46
Stainless steel codes	7273	7274	7277	7278	7280	7282

On request

- Spindles with: Sunk hexagon head • second wrench seat head • hexagon wrench seat • threads with other pitches and lengths • stainless steel AISI 316.
- Anti-slip pads: In thermoplastic rubber 68 SHORE blue RAL 5005 FDA APPROVED.
- Assembling of: Nuts • washers.
- Box quantity: According to your request.

Ø 120 Part. 110



Type 2											
Spindle measures in mm					Spindle and base in stainless steel AISI 304						
Ød	A	H	F	E	G	Wrench 1	Wrench 2	Black	White	Blue Ral 5005	Max static load (N)
								anti-slip pad	anti-slip pad	anti-slip pad	
								Code	Code	Code	
M16x2	200	159	73	39	60	22	12	110 / 88048	110 / 88050	110 / 88279	
	260	220	100	78	100	22	12	110 / 88049	110 / 88051	110 / 88280	
M20x2,5	200	159	73	39	60	25	13	110 / 84136	110 / 85967	110 / 88281	30000
	260	220	100	78	100	25	13	110 / 84195	110 / 85968	110 / 88282	
M24x3	200	159	73	39	60	30	17	110 / 88052	110 / 88054	110 / 88283	
	260	220	100	78	100	30	17	110 / 88053	110 / 88055	110 / 88284	

Base material: Internal part made of reinforced polyamide; external covering made of stainless steel AISI 304; anti-slip pad made of thermoplastic rubber 68 Shore black, white or blue Ral 5005 colour.
Features: Co-moulded anti-slip pad allows a perfect adherence with steel base. Consequent absence of internal cavities makes foot extremely cleanable. The threaded insert guarantees the protection of the spindle thread.
Box quantity: 8 pieces.

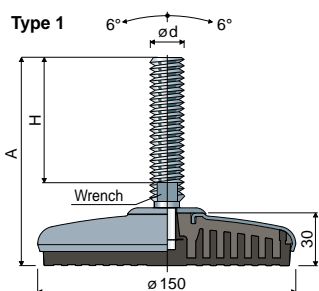
On request

- Spindles with: Stainless steel AISI 316.
- Anti-slip pads: In thermoplastic rubber 68 SHORE blue RAL 5005 FDA APPROVED.
- Box quantity: According to your request.

Adjustable feet, sanitizable

(base in stainless steel)

Part. **126** \varnothing **150**



		Type 1						
		Spindle measures in mm		Spindle and base in stainless steel AISI 304				
$\varnothing d$		A	H	Wrench	Black anti-slip pad	White anti-slip pad	Blue Ral 5005 anti-slip pad	Max static load (N)
					Code	Code	Code	
M20x2,5	139	89	17		126 / 87345	126 / 87346	126 / 88285	40000
	157	107	17		126 / 86037	126 / 86042	126 / 88286	
	186	136	17		126 / 86038	126 / 86043	126 / 88287	
	207	157	17		126 / 86039	126 / 86044	126 / 88288	
M24x3	240	190	17		126 / 86040	126 / 86045	126 / 88289	
	288	238	17		126 / 86041	126 / 86046	126 / 88290	
M30x3,5	145	90	19		126 / 86052	126 / 86056	126 / 88291	
	182	127	19		126 / 86053	126 / 86057	126 / 88292	
	217	162	19		126 / 86054	126 / 86058	126 / 88293	
	257	202	19		126 / 86055	126 / 86059	126 / 88294	
M30x3,5	172	125	24		126 / 86060	126 / 86062	126 / 88295	
	232	185	24		126 / 86061	126 / 86063	126 / 88296	

Base material: Internal part made of reinforced polyamide; external covering made of stainless steel AISI 304; anti-slip pad made of thermoplastic rubber 68 Shore black, white or blue Ral 5005 colour.

Features: Co-moulded anti-slip pad allows a perfect adherence with steel base. Consequent absence of internal cavities makes foot extremely cleanable.

Box quantity: 8 pieces.

Washers UNI 6592-69 - Box quantity: 24 pieces.

$\varnothing M$	M20	M24	M30
Smm	3	4	4
$\varnothing A$ mm	37	44	56
Stainless steel codes	7292	7294	7296

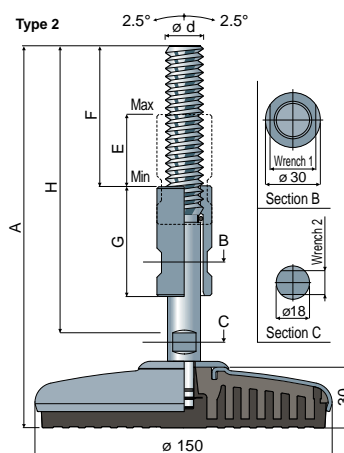
Nuts UNI 5588-65 - Box quantity: 24 pieces.

$\varnothing d$	M20	M24	M30
Smm	16	19	24
Ch. mm	30	36	46
Stainless steel codes	7278	7280	7282

On request

- Spindles with: Sunk hexagon head • second wrench seat head • hexagon wrench seat • threads with other pitches and lengths • stainless steel AISI 316.
- Anti-slip pads: In thermoplastic rubber 68 SHORE blue RAL 5005 FDA APPROVED.
- Assembling of: Nuts • washers.
- Box quantity: According to your request.

Part. **126** \varnothing **150**



Base material: Internal part made of reinforced polyamide; external covering made of stainless steel AISI 304; anti-slip pad made of thermoplastic rubber 68 Shore black, white or blue Ral 5005 colour.

Features: Co-moulded anti-slip pad allows a perfect adherence with steel base. Consequent absence of internal cavities makes foot extremely cleanable. The threaded insert guarantees the protection of the spindle thread.

Box quantity: 8 pieces.

On request

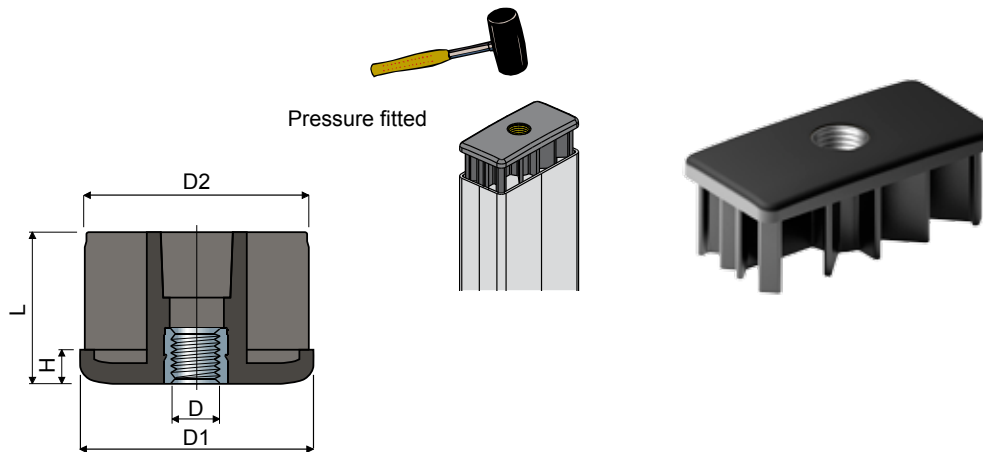
- Spindles with: Stainless steel AISI 316.
- Anti-slip pads: In thermoplastic rubber 68 SHORE blue RAL 5005 FDA APPROVED.
- Box quantity: According to your request.

		Type 2										
		Spindle measures in mm		Spindle and base in stainless steel AISI 304								
$\varnothing d$		A	H	F	E	G	Wrench 1	Wrench 2	Black anti-slip pad	White anti-slip pad	Blue Ral 5005 anti-slip pad	Max static load (N)
									Code	Code	Code	
M16x2	204	159	73	39	60	22	12		126 / 88056	126 / 88058	126 / 88297	40000
	264	220	100	78	100	22	12		126 / 88057	126 / 88059	126 / 88298	
M20x2,5	204	159	73	39	60	25	13		126 / 86047	126 / 86049	126 / 88299	
	264	220	100	78	100	25	13		126 / 86048	126 / 86050	126 / 88300	
M24x3	204	159	73	39	60	30	17		126 / 88060	126 / 88062	126 / 88301	
	264	220	100	78	100	30	17		126 / 88061	126 / 88063	126 / 88302	

Threaded bushings

(for rectangular tubes)

Part. **82**



Tube dimensions								Code	Max static load (N)
Outside (mm)	Thickness (mm)	Inside (mm)	Thread D	D1 (mm)	D2 (mm)	H (mm)	L (mm)		
20x50	2	16x46	M8	20x50	16x46	5	27	82 / 80325	4500
30x60	2,5	25x55	M8	30x60	25x55	8	38	82 / 82173	4500
			M10	30x60	25x55	8	38	82 / 82175	5000
			M12	30x60	25x55	8	38	82 / 82176	5500
			M14	30x60	25x55	8	38	82 / 82177	6000
40x60	2	36x56	M16	30x60	25x55	8	38	82 / 82174	6500
			M14	40x60	36x56	10	45	82 / 85141	8500
			M16	40x60	36x56	10	45	82 / 84309	9000
40x80	1,5	37x77	M20	40x60	36x56	10	45	82 / 84311	9500
			M14	40x80	37x77	10	45	82 / 82973	8500
			M16	40x80	37x77	10	45	82 / 82975	9000
	2	36x76	M20	40x80	37x77	10	45	82 / 82977	9500
			M14	40x80	36x76	10	45	82 / 82180	8500
			M16	40x80	36x76	10	45	82 / 80326	9000
3	34x74	M20	40x80	36x76	10	45	82 / 80327	9500	
		M14	40x80	34x74	10	45	82 / 82590	8500	
		M16	40x80	34x74	10	45	82 / 82516	9000	
50x100	2	46x96	M20	40x80	34x74	10	45	82 / 82591	9500
			M14	50x100	46x96	10	45	82 / 82181	8500
			M16	50x100	46x96	10	45	82 / 80693	9000
	3	44x94	M20	50x100	46x96	10	45	82 / 80694	9500
			M14	50x100	44x94	10	45	82 / 82182	9000
			M16	50x100	44x94	10	45	82 / 82178	9500
50x150	3	44x144	M20	50x100	44x94	10	45	82 / 82179	10000
			M14	50x150	44x144	10	45	82 / 82183	9000
			M16	50x150	44x144	10	45	82 / 80211	9500
60x120	3	54x114	M20	50x150	44x144	10	45	82 / 80212	10000
			M14	60x120	54x114	10	45	82 / 82184	9000
			M16	60x120	54x114	10	45	82 / 80209	9500
			M20	60x120	54x114	10	45	82 / 80210	10000

Materials: Bushing in reinforced polyamide black colour; threaded insert in nickel plated brass.

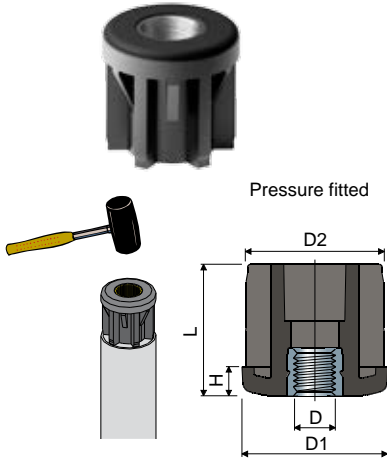
Box quantity: 24 pieces.

On request

- **Bushings:** Can be supplied with thread in inches (1/4"-20, 5/16"-18, 3/8"-16, 1/2"-13, 5/8"-11, 3/4"-10, 1"-8, etc.); With different thicknesses and colours.
- **Box quantity:** According to your request.

Threaded bushings (for round tubes)

Part. **64**



Tube dimensions								Code	Max static load (N)	
Outside ø	Thickness	Inside ø	Thread	D1	D2	H	L			
(mm)	(inches GAS)	(mm)	D	(mm)	(mm)	(mm)	(mm)			
20	-	2	16	M8	20	16	5	23	64 / 83916	4500
				M8	25	21	5	25	64 / 83917	4500
25	-	2	21	M10	25	21	6	26	64 / 83918	5000
				M12	25	21	6	26	64 / 85142	5500
-	1	28	M8	30	28	6	31	64 / 7802	4500	
			M10	30	28	6	31	64 / 7803	5000	
			M12	30	28	6	31	64 / 7804	5500	
			M14	30	28	6	31	64 / 7805	6000	
			M16	30	28	6	31	64 / 7806	6500	
-	1,5	27	M8	30	27	6	31	64 / 80857	4500	
			M10	30	27	6	31	64 / 80858	5000	
			M12	30	27	6	31	64 / 80859	5500	
			M14	30	27	6	31	64 / 80860	6000	
			M16	30	27	6	31	64 / 80861	6500	
30	-	26	M8	30	26	6	31	64 / 80862	4500	
			M10	30	26	6	31	64 / 80863	5000	
			M12	30	26	6	31	64 / 80864	5500	
			M14	30	26	6	31	64 / 80865	6000	
			M16	30	26	6	31	64 / 80866	6500	
-	2,5	25	M8	30	25	6	31	64 / 80867	4500	
			M10	30	25	6	31	64 / 80868	5000	
			M12	30	25	6	31	64 / 80869	5500	
			M14	30	25	6	31	64 / 80870	6000	
			M16	30	25	6	31	64 / 80871	6500	
32	-	28	M8	32	28	6	31	64 / 83919	4500	
			M10	32	28	6	31	64 / 83920	5000	
			M12	32	28	6	31	64 / 85143	5500	
33,7	-	1,5	30,7	M8	33,7	30,7	6	31	64 / 87864	4500
				M10	33,7	30,7	6	31	64 / 87866	5000
				M12	33,7	30,7	6	31	64 / 87868	5500
35	-	31	M8	35	31	6	31	64 / 85144	4500	
			M10	35	31	6	31	64 / 83921	5000	
			M12	35	31	6	31	64 / 83922	5500	
-	1,5	35	M8	38	35	8	38	64 / 7882	4500	
			M10	38	35	8	38	64 / 7210	5000	
			M12	38	35	8	38	64 / 7211	5500	
			M14	38	35	8	38	64 / 7212	6000	
			M16	38	35	8	38	64 / 7213	6500	
38	-	2	34	M8	38	34	8	38	64 / 81015	4500
				M10	38	34	8	38	64 / 81016	5000
				M12	38	34	8	38	64 / 80873	5500
				M14	38	34	8	38	64 / 80874	6000
				M16	38	34	8	38	64 / 80875	6500
-	2,5	33	M8	38	34	8	38	64 / 82083	4500	
			M10	38	34	8	38	64 / 80876	5000	
			M12	38	34	8	38	64 / 80877	5500	
			M14	38	34	8	38	64 / 80878	6000	
			M16	38	34	8	38	64 / 80879	6500	
40	-	3	34	M8	40	34	8	38	64 / 85145	4500
				M10	40	34	8	38	64 / 83923	5000
				M12	40	34	8	38	64 / 83924	5500
42	-	3	36	M8	42	36	8	38	64 / 85146	5000
				M10	42	36	8	38	64 / 83934	5000
				M12	42	36	8	38	64 / 83911	5500
-	1,5	39,4	M8	42,4	39,4	8	38	64 / 7883	6500	
			M10	42,4	39,4	8	38	64 / 7214	7000	
			M12	42,4	39,4	8	38	64 / 7215	7500	
			M14	42,4	39,4	8	38	64 / 7216	8000	
			M16	42,4	39,4	8	38	64 / 7217	8500	
			M20	42,4	39,4	8	38	64 / 7218	9000	
42,4	1 1/4	2	38,4	M8	42,4	38,4	8	38	64 / 81017	6500
				M10	42,4	38,4	8	38	64 / 80880	7000
				M12	42,4	38,4	8	38	64 / 80881	7500
				M14	42,4	38,4	8	38	64 / 80882	8000
				M16	42,4	38,4	8	38	64 / 80883	8500
				M20	42,4	38,4	8	38	64 / 80884	9000
-	2,5	37,4	M8	42,4	37,4	8	38	64 / 82084	6500	
			M10	42,4	37,4	8	38	64 / 80885	7000	
			M12	42,4	37,4	8	38	64 / 80886	7500	
			M14	42,4	37,4	8	38	64 / 80887	8000	
			M16	42,4	37,4	8	38	64 / 80888	8500	
			M20	42,4	37,4	8	38	64 / 80889	9000	
45	-	3	39	M8	45	39	8	38	64 / 85147	6500
				M10	45	39	8	38	64 / 85148	7000
				M12	45	39	8	38	64 / 83925	7500
				M14	45	39	8	38	64 / 85149	8000
				M16	45	39	8	38	64 / 83926	8500
48	-	3	42	M8	48	42	10	45	64 / 85150	7000
				M10	48	42	10	45	64 / 85151	7500
				M12	48	42	10	45	64 / 83912	8000
				M14	48	42	10	45	64 / 85152	8500
				M16	48	42	10	45	64 / 83913	9000

Threaded bushings (for round tubes)

Part. **64**

Tube dimensions		Thickness (mm)	Inside ø (mm)	Thread D	D1 (mm)	D2 (mm)	H (mm)	L (mm)	Code	Max static load (N)
Outside ø (mm)	(inches GAS)									
48,3	1 1/2	1,2	45,8	M14	48,3	45,8	10	45	64 / 85522	8500
				M16	48,3	45,8	10	45	64 / 85520	9000
				M8	48,3	45,3	10	45	64 / 7930	7000
				M10	48,3	45,3	10	45	64 / 7614	7500
				M12	48,3	45,3	10	45	64 / 7219	8000
				M14	48,3	45,3	10	45	64 / 7220	8500
		1,5	45,3	M16	48,3	45,3	10	45	64 / 7221	9000
				M20	48,3	45,3	10	45	64 / 7222	9500
				M8	48,3	44,3	10	45	64 / 81018	7000
				M10	48,3	44,3	10	45	64 / 81019	7500
				M12	48,3	44,3	10	45	64 / 80890	8000
				M14	48,3	44,3	10	45	64 / 80891	8500
	2	44,3	M16	48,3	44,3	10	45	64 / 80892	9000	
			M20	48,3	44,3	10	45	64 / 80893	9500	
			M8	48,3	43,3	10	45	64 / 81020	7000	
			M10	48,3	43,3	10	45	64 / 81021	7500	
			M12	48,3	43,3	10	45	64 / 80894	8000	
			M14	48,3	43,3	10	45	64 / 80895	8500	
	2,5	43,3	M16	48,3	43,3	10	45	64 / 80896	9000	
			M20	48,3	43,3	10	45	64 / 80897	9500	
			M8	50	47	10	45	64 / 81022	7000	
			M10	50	47	10	45	64 / 81023	7500	
			M12	50	47	10	45	64 / 81024	8000	
			M14	50	47	10	45	64 / 81025	8500	
50	-	1,5	47	M16	50	47	10	45	64 / 81026	9000
				M20	50	47	10	45	64 / 80953	9500
				M8	50	44	10	45	64 / 85153	7000
				M10	50	44	10	45	64 / 85154	7500
				M12	50	44	10	45	64 / 83914	8000
				M14	50	44	10	45	64 / 85155	8500
	3	44	M16	50	44	10	45	64 / 83915	9000	
			M20	50	44	10	45	64 / 85156	9500	
			M8	50,9	47,9	10	45	64 / 81027	7000	
			M10	50,9	47,9	10	45	64 / 81028	7500	
			M12	50,9	47,9	10	45	64 / 80898	8000	
			M14	50,9	47,9	10	45	64 / 80899	8500	
50,9	-	1,5	47,9	M16	50,9	47,9	10	45	64 / 80900	9000
				M20	50,9	47,9	10	45	64 / 80901	9500
				M8	50,9	46,9	10	45	64 / 81029	7000
				M10	50,9	46,9	10	45	64 / 81030	7500
				M12	50,9	46,9	10	45	64 / 80902	8000
				M14	50,9	46,9	10	45	64 / 80903	8500
	2	46,9	M16	50,9	46,9	10	45	64 / 80904	9000	
			M20	50,9	46,9	10	45	64 / 80905	9500	
			M8	50,9	45,9	10	45	64 / 82085	7000	
			M10	50,9	45,9	10	45	64 / 82086	7500	
			M12	50,9	45,9	10	45	64 / 80906	8000	
			M14	50,9	45,9	10	45	64 / 80907	8500	
-	2,5	45,9	M16	50,9	45,9	10	45	64 / 80908	9000	
			M20	50,9	45,9	10	45	64 / 80909	9500	
			M8	60,3	57,9	12	52	64 / 82889	7000	
			M10	60,3	57,9	12	52	64 / 82890	7500	
			M12	60,3	57,9	12	52	64 / 82891	8000	
			M14	60,3	57,9	12	52	64 / 82892	8500	
60,3	2	1,2	57,9	M16	60,3	57,9	12	52	64 / 82893	9000
				M20	60,3	57,9	12	52	64 / 82894	9500
				M24	60,3	57,9	12	52	64 / 82895	10000
				M8	60,3	57,3	12	52	64 / 7932	7000
				M10	60,3	57,3	12	52	64 / 7615	7500
				M12	60,3	57,3	12	52	64 / 7616	8000
		1,5	57,3	M14	60,3	57,3	12	52	64 / 7617	8500
				M16	60,3	57,3	12	52	64 / 7223	9000
				M20	60,3	57,3	12	52	64 / 7224	9500
				M24	60,3	57,3	12	52	64 / 7225	10000
				M8	60,3	56,3	12	52	64 / 7934	7000
				M10	60,3	56,3	12	52	64 / 7618	7500
	2	56,3	M12	60,3	56,3	12	52	64 / 7619	8000	
			M14	60,3	56,3	12	52	64 / 7620	8500	
			M16	60,3	56,3	12	52	64 / 7226	9000	
			M20	60,3	56,3	12	52	64 / 7227	9500	
			M24	60,3	56,3	12	52	64 / 7228	10000	
			M8	60,3	55,3	12	52	64 / 7935	7000	
	2,5	55,3	M10	60,3	55,3	12	52	64 / 7621	7500	
			M12	60,3	55,3	12	52	64 / 7622	8000	
			M14	60,3	55,3	12	52	64 / 7623	8500	
			M16	60,3	55,3	12	52	64 / 7229	9000	
			M20	60,3	55,3	12	52	64 / 7230	9500	
			M24	60,3	55,3	12	52	64 / 7231	10000	

Materials: Bushing in reinforced polyamide black colour; threaded insert in nickel plated brass.
Box quantity: 24 pieces.

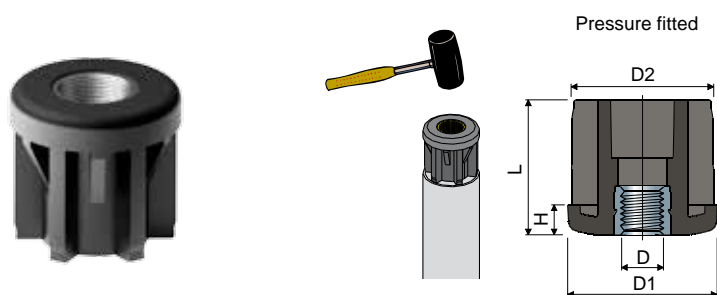
On request

- Bushings: With different thicknesses and colours.
- Box quantity: According to your request.

Threaded bushings

(for round tubes: sizes and threads in Inches)

Part. 64



Tube dimensions		Thickness		Inside ø (mm)	Thread D		D1 (mm)	D2 (mm)	H (mm)	L (mm)	Code	Max static load (N)
Outside ø (inches)	(mm)	(inches)	(mm)		(UNC)	(mm)						
1"	(25,4)	0,083"	(2,1)	21,18	1/4"-20	(6,35)	25,2	21,18	6	26	64 / 82730	4500
					5/16"-18	(7,93)	25,2	21,18	6	26	64 / 82731	4500
1"1/4	(31,75)	0,083"	(2,1)	27,53	3/8"-16	(9,52)	31,5	27,53	6	31	64 / 82732	5000
					1/2"-13	(12,7)	31,5	27,53	6	31	64 / 82733	5000
					5/8"-11	(15,87)	31,5	27,53	6	31	64 / 82734	6500
1"1/2	(38,1)	0,065"	(1,65)	34,8	3/8"-16	(9,52)	38	34,8	8	38	64 / 82695	5000
					1/2"-13	(12,7)	38	34,8	8	38	64 / 82696	5000
					5/8"-11	(15,87)	38	34,8	8	38	64 / 82697	6500
		0,083"	(2,1)	33,89	3/4"-10	(19,05)	38	34,8	8	38	64 / 82698	9000
					3/8"-16	(9,52)	38	33,89	8	38	64 / 82735	5000
					1/2"-13	(12,7)	38	33,89	8	38	64 / 82736	5000
1"3/4	(44,45)	0,12"	(3,04)	38,35	5/8"-11	(15,87)	38	33,89	8	38	64 / 82737	6500
					3/4"-10	(19,05)	38	33,89	8	38	64 / 82738	9000
					5/8"-11	(15,87)	44,2	38,35	8	38	64 / 82740	6500
					3/4"-10	(19,05)	44,2	38,35	8	38	64 / 82741	9000
					1"-8	(25,4)	44,2	38,35	8	38	64 / 82739	10000
					3/8"-16	(9,52)	50,6	47,5	10	45	64 / 82703	5000
2"	(50,8)	0,065"	(1,65)	47,5	1/2"-13	(12,7)	50,6	47,5	10	45	64 / 82704	5000
					5/8"-11	(15,87)	50,6	47,5	10	45	64 / 82705	6500
					3/4"-10	(19,05)	50,6	47,5	10	45	64 / 82706	9000
		0,109"	(2,77)	45,26	3/8"-16	(9,52)	50,6	45,26	10	45	64 / 82699	5000
					1/2"-13	(12,7)	50,6	45,26	10	45	64 / 82700	5000
					5/8"-11	(15,87)	50,6	45,26	10	45	64 / 82701	6500
0,156"	(3,96)	42,88	3/4"-10	(19,05)	50,6	45,26	10	45	64 / 82702	9000		
			5/8"-11	(15,87)	50,6	42,88	10	45	64 / 82742	6500		
			3/4"-10	(19,05)	50,6	42,88	10	45	64 / 82743	9000		
2"1/2	(63,5)	0,156"	(3,96)	55,58	1"-8	(25,4)	50,6	42,88	10	45	64 / 82744	10000
					5/8"-11	(15,87)	63,3	55,58	12	52	64 / 82745	6500
					3/4"-10	(19,05)	63,3	55,58	12	53	64 / 82746	9000
					1"-8	(25,4)	63,3	55,58	12	52	64 / 82747	10000

Materials: Bushing in reinforced polyamide black colour; threaded insert in nickel plated brass.

Box quantity: 24 pieces.

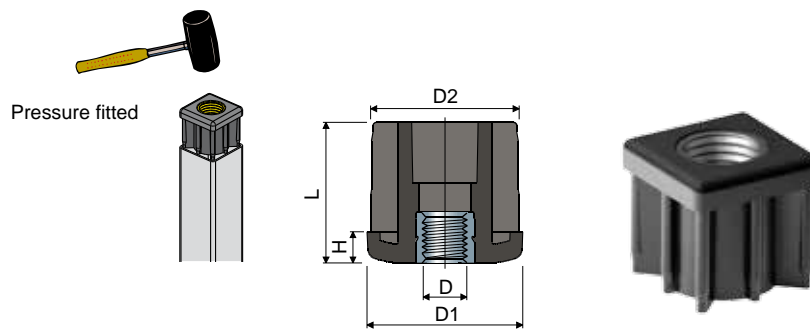
On request

- Bushings: With different thicknesses and colours.
- Box quantity: According to your request.

Thread sizes in inches are expressed as the number of threads (UNC coarse thread) per Imperial inch; the inch dimensions of the tubes conform to the British Imperial system

Threaded bushings

(for square tubes)



Part. **68**

Tube dimensions								Code	Max static load (N)
Outside (mm)	Thickness (mm)	Inside (mm)	Thread D	D1 (mm)	D2 (mm)	H (mm)	L (mm)		
20	1,5	17	M8	20	17	5	23	68 / 7758	4500
	2	16	M8	20	16	5	23	68 / 83927	4500
25	1,5	22	M8	25	22	6	26	68 / 7807	4500
			M10	25	22	6	26	68 / 7808	5000
			M12	25	22	6	26	68 / 7809	5500
	2	21	M8	25	21	6	26	68 / 83928	4500
			M10	25	21	6	26	68 / 83929	5000
			M12	25	21	6	26	68 / 85157	5500
30	1,5	27	M8	30	27	6	31	68 / 7936	4500
			M10	30	27	6	31	68 / 7232	5000
			M12	30	27	6	31	68 / 7233	5500
	2	26	M14	30	27	6	31	68 / 7234	6000
			M16	30	27	6	31	68 / 7235	6500
			M8	30	26	6	31	68 / 81031	4500
35	1,5	32	M10	30	26	6	31	68 / 7817	5000
			M12	30	26	6	31	68 / 7818	5500
			M14	30	26	6	31	68 / 80913	6000
			M16	30	26	6	31	68 / 80914	6500
			M8	35	32	8	38	68 / 7937	6500
			M10	35	32	8	38	68 / 7236	7000
	2	31	M12	35	32	8	38	68 / 7237	7500
			M14	35	32	8	38	68 / 7238	8000
			M16	35	32	8	38	68 / 7239	8500
			M20	35	32	8	38	68 / 7240	9000
			M8	35	31	8	38	68 / 80163	6500
			M10	35	31	8	38	68 / 80036	7000
40	1,2	37,6	M12	35	31	8	38	68 / 80164	7500
			M14	35	31	8	38	68 / 80165	8000
			M16	35	31	8	38	68 / 80172	8500
			M20	35	31	8	38	68 / 80173	9000
			M8	40	37,6	8	38	68 / 80714	7000
			M10	40	37,6	8	38	68 / 80715	7500
	1,5	37	M12	40	37,6	8	38	68 / 80716	8000
			M14	40	37,6	8	38	68 / 80717	8500
			M16	40	37,6	8	38	68 / 80546	9000
			M20	40	37,6	8	38	68 / 80718	9500
			M8	40	37	8	38	68 / 7938	7000
			M10	40	37	8	38	68 / 7241	7500
2	36	M12	40	37	8	38	68 / 7242	8000	
		M14	40	37	8	38	68 / 7243	8500	
		M16	40	37	8	38	68 / 7244	9000	
		M20	40	37	8	38	68 / 7245	9500	
		M8	40	36	8	38	68 / 7939	7000	
		M10	40	36	8	38	68 / 7246	7500	
2,5	35	M12	40	36	8	38	68 / 7247	8000	
		M14	40	36	8	38	68 / 7248	8500	
		M16	40	36	8	38	68 / 7249	9000	
		M20	40	36	8	38	68 / 7250	9500	
		M8	40	35	8	38	68 / 80915	7000	
		M10	40	35	8	38	68 / 80916	7500	
2,5	35	M12	40	35	8	38	68 / 80917	8000	
		M14	40	35	8	38	68 / 80918	8500	
		M16	40	35	8	38	68 / 80919	9000	
		M20	40	35	8	38	68 / 80920	9500	

Threaded bushings

(for square tubes)

Part. 68

Tube dimensions								Code	Max static load (N)
Outside (mm)	Thickness (mm)	Inside (mm)	Thread D	D1 (mm)	D2 (mm)	H (mm)	L (mm)		
40	3	34	M8	40	34	8	38	68 / 85158	7000
			M10	40	34	8	38	68 / 83930	7500
			M12	40	34	8	38	68 / 83931	8000
			M14	40	34	8	38	68 / 85090	8500
			M16	40	34	8	38	68 / 85091	9000
			M20	40	34	8	38	68 / 85092	9500
45	2	41	M8	45	41	8	38	68 / 82118	7000
			M10	45	41	8	38	68 / 82119	7500
			M12	45	41	8	38	68 / 82120	8000
			M14	45	41	8	38	68 / 82121	8500
			M16	45	41	8	38	68 / 82122	9000
			M20	45	41	8	38	68 / 82123	9500
45	3	39	M8	45	39	8	38	68 / 85159	7000
			M10	45	39	8	38	68 / 85160	7500
			M12	45	39	8	38	68 / 83932	8000
			M14	45	39	8	38	68 / 85161	8500
			M16	45	39	8	38	68 / 83933	9000
			M20	45	39	8	38	68 / 85162	9500
50	1,2	47,6	M8	50	47,6	10	45	68 / 80921	7000
			M10	50	47,6	10	45	68 / 80922	7500
			M12	50	47,6	10	45	68 / 80923	8000
			M14	50	47,6	10	45	68 / 80924	8500
			M16	50	47,6	10	45	68 / 80925	9000
			M20	50	47,6	10	45	68 / 80926	9500
50	1,5	47	M8	50	47	10	45	68 / 7940	7000
			M10	50	47	10	45	68 / 7624	7500
			M12	50	47	10	45	68 / 7251	8000
			M14	50	47	10	45	68 / 7252	8500
			M16	50	47	10	45	68 / 7253	9000
			M20	50	47	10	45	68 / 7254	9500
50	2	46	M8	50	46	10	45	68 / 7941	7000
			M10	50	46	10	45	68 / 7625	7500
			M12	50	46	10	45	68 / 7255	8000
			M14	50	46	10	45	68 / 7256	8500
			M16	50	46	10	45	68 / 7257	9000
			M20	50	46	10	45	68 / 7258	9500
50	2,5	45	M8	50	45	10	45	68 / 7942	7000
			M10	50	45	10	45	68 / 7626	7500
			M12	50	45	10	45	68 / 7259	8000
			M14	50	45	10	45	68 / 7260	8500
			M16	50	45	10	45	68 / 7261	9000
			M20	50	45	10	45	68 / 7262	9500
60	3	44	M8	50	44	10	45	68 / 82080	7000
			M10	50	44	10	45	68 / 80927	7500
			M12	50	44	10	45	68 / 80928	8000
			M14	50	44	10	45	68 / 80929	8500
			M16	50	44	10	45	68 / 80930	9000
			M20	50	44	10	45	68 / 80931	9500
60	2	56	M8	60	56	10	45	68 / 81032	7000
			M10	60	56	10	45	68 / 80932	7500
			M12	60	56	10	45	68 / 80933	8000
			M14	60	56	10	45	68 / 80934	8500
			M16	60	56	10	45	68 / 80935	9000
			M20	60	56	10	45	68 / 80936	9500
60	3	54	M8	60	54	10	45	68 / 82081	7000
			M10	60	54	10	45	68 / 80937	7500
			M12	60	54	10	45	68 / 80938	8000
			M14	60	54	10	45	68 / 80939	8500
			M16	60	54	10	45	68 / 80940	9000
			M20	60	54	10	45	68 / 80941	9500
80	3	74	M14	80	74	10	45	68 / 85163	8500
			M16	80	74	10	45	68 / 82082	9000
			M20	80	74	10	45	68 / 82013	9500

Material: Bushing in reinforced polyamide black colour; threaded insert in nickel plated brass.

Box quantity: 24 pieces.

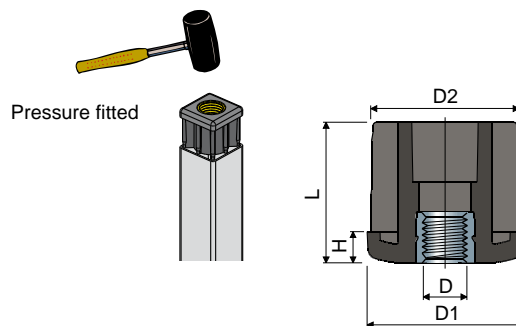
On request

- Bushings: With different thicknesses and colours.
- Box quantity: According to your request.

Threaded bushings

(for square tubes: sizes and threads in Inches)

Part. **68**



Tube dimensions				Thread D	D1	D2	H	L	Code	Max static load (N)			
Outside (inches)	Outside (mm)	Thickness (inches)	Thickness (mm)								Inside (mm)		
1" 1/2	(38,1)	0,065"	(1,65)	34,8	3/8"-16	(9,52)	38	34,8	8	38	68 / 82707	5000	
					1/2"-13	(12,7)	38	34,8	8	38	68 / 82708	5000	
					5/8"-11	(15,87)	38	34,8	8	38	68 / 82709	6500	
		3/4"-10	(19,05)		38	34,8	8	38	68 / 82710	9000			
		3/8"-16	(9,52)		38	32	8	38	68 / 82711	5000			
		1/2"-13	(12,7)		38	32	8	38	68 / 82712	5000			
	2"	(50,8)	0,12"	(3,05)	32	5/8"-11	(15,87)	38	32	8	38	68 / 82713	6500
						3/4"-10	(19,05)	38	32	8	38	68 / 82714	9000
						3/8"-16	(9,52)	50,6	47,5	10	45	68 / 82715	5000
			1/2"-13	(12,7)		50,6	47,5	10	45	68 / 82716	5000		
			5/8"-11	(15,87)		50,6	47,5	10	45	68 / 82717	6500		
			3/4"-10	(19,05)		50,6	47,5	10	45	68 / 82718	9000		
2"	(50,8)	0,109"	(2,77)	45,26	3/8"-16	(9,52)	50,6	45,26	10	45	68 / 82719	5000	
					1/2"-13	(12,7)	50,6	45,26	10	45	68 / 82720	5000	
					5/8"-11	(15,87)	50,6	45,26	10	45	68 / 82721	6500	
		3/4"-10	(19,05)		50,6	45,26	10	45	68 / 82722	9000			
		3/8"-16	(9,52)		50,6	44,7	10	45	68 / 82726	5000			
		1/2"-13	(12,7)		50,6	44,7	10	45	68 / 82727	5000			
2"	(50,8)	0,12"	(3,05)	44,7	5/8"-11	(15,87)	50,6	44,7	10	45	68 / 82728	6500	
					3/4"-10	(19,05)	50,6	44,7	10	45	68 / 82729	9000	

Materials: Bushing in reinforced polyamide black colour; threaded insert in nickel plated brass.

Box quantity: 24 pieces.

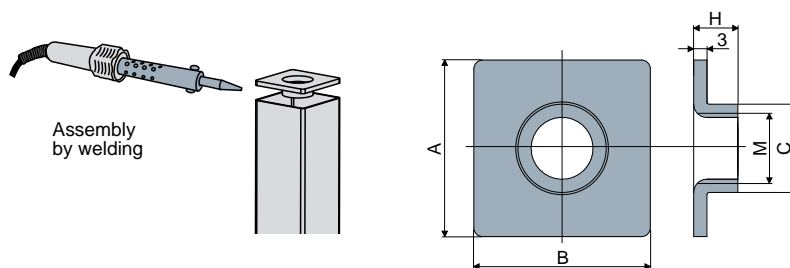
On request

- **Bushings:** With different thicknesses and colours.
- **Box quantity:** According to your request.

Thread sizes in inches are expressed as the number of threads (UNC coarse thread) per Imperial inch; the inch dimensions of the tubes conform to the British Imperial system

Threaded caps (assembly by welding)

Part. **130**



M	A	B	C	H	Code	Max static load (N)
(mm)	(mm)	(mm)	(mm)	(mm)		
M16	40	40	20	10	130 / 88887	20000
M16	50	50	20	11,5	130 / 90507	
M20	40	40	23,5	10	130 / 90505	
M20	50	50	23,5	11,5	130 / 90509	

Materials: Cap in stainless steel.

Features: Assembly by welding.

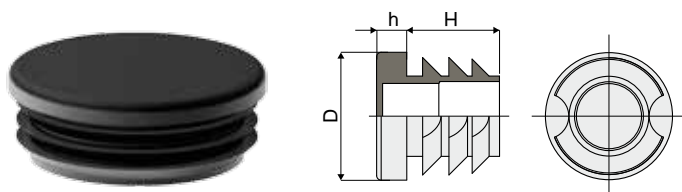
Box quantity: 24 pieces.

On request

- **Box quantity:** According to your request.

Closing caps

Part. 116 Closing cap, round



Code	Dimensions			Tube thickness	
	D (mm)	h (mm)	H (mm)	Min. (mm)	Max. (mm)
116 / 84153	38	5	11,5	1	3
116 / 84154	42,4	5	11,5	1	3
116 / 84155	48,3	5	11,5	1,2	3
116 / 84156	60,3	5	18,5	1,5	3

Materials: Cap in black polyethylene.

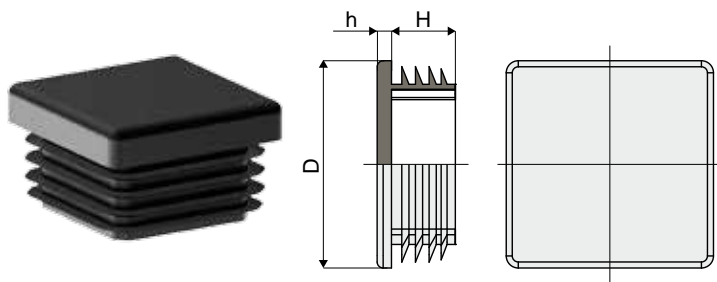
Features: To be assembled to the tubes edges.

Box quantity: 96 pieces.

On request:

- Box quantity: According to your request.

Part. 117 Closing cap, square



Code	Dimensions			Tube thickness	
	D (mm)	h (mm)	H (mm)	Min. (mm)	Max. (mm)
117 / 84157	25	5	11,5	1	3
117 / 84158	30	5	11,5	1	3
117 / 84159	35	5	14,5	1	3
117 / 84160	40	5	14,5	1	3
117 / 84161	50	5	14,5	1	3
117 / 84162	60	5	24	1,5	3

Materials: Cap in black polyethylene.

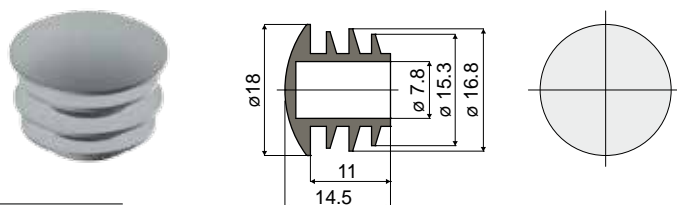
Features: To be assembled to the tubes edges.

Box quantity: 96 pieces.

On request:

- Caps: Rectangular shape.
- Box quantity: According to your request.

Part. 121 Closing cap, round



Code
121 / 85542

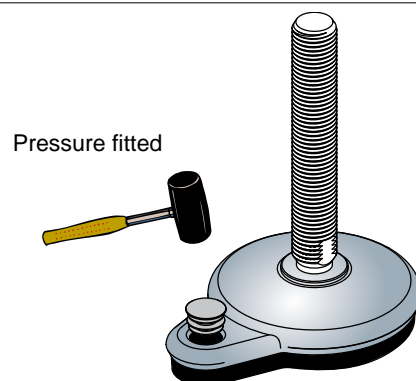
Materials: Cap in grey polyethylene.

Features: To be assembled to the feet with side fixing system: Part.111, 112, 119, 120.

Box quantity: 96 pieces.

On request:

- Box quantity: According to your request.



Chemical resistance of the materials used

CHEMICAL AGENT	POLYAMIDE PA		POLYPROPYLENE PP		ACETAL POM		STAINLESS STEEL AISI 304		NICKEL PLATED BRASS		NBR RUBBER	
	Conc.%	23° C	Conc.%	23° C	Conc.%	23° C	Conc.%	23° C	Conc.%	23° C	Conc.%	23° C
ACETIC ACID	10	-	40	+	5	-	20	+	/	-	-	
ACETONE	100	+		+	/		50	+	+	-	-	
AMMONIA	10	+	30	+	Sol.	+	50	+	-	-	/	
AMMONIA CONC.		+		+		-					-	
ANILINE	/		100	+	3		3	+			-	
BEER		+		+		+		+		+	+	
BENZENE		+		+		+	70	/			-	
BENZOL	100	+		/		+		+		+	-	
BORIC ACID	10	+	Sat.	+		+	100	/			+	
BUTTER		+		+		+		+		+	+	
BUTYRIC ACID		-	100	+		-	5	+			-	
CALCIUM CHLORIDE	10	+	50	+		/	10	-		+	+	
CARBON SULPHIDE	100	+		+		+		+			-	
CARBON TETRACHLORIDE		+		-		+	10	-		+	-	
CAUSTIC POTASSIUM	10	+					50	+			/	
CAUSTIC SODA	10	+	52	+	25	-		+			/	
CHLORINATED WATER		+		-		-		-			-	
CHLOROFORM	100	-		/		-	100	+		+	-	
CITRIC ACID	10	/	10	+		/	5	+		-	+	
CUPRIC SULPHATE	10	+	Sat.	+		+	5	+			+	
DISTILLED WATER		+		+		+		+			+	
ETHYL ALCOHOL	96	+	96	+		+	10	+		+	/	
ETHYL CHLORIDE	100	+		-		+		+		/	-	
ETHYL ETHER	100	+		+		+					-	
FERRIC CHLORIDE	10	+		+			20	-			+	
FOOD FATS		+		+		+		+			+	
FOOD OILS		+		+		+		+			+	
FORMALDEHYDE	30	+	40	+		+	100	+		+	-	
FORMIC ACID	10	-	100	+	10	-	5	/		+	-	
FREON 12		+						+			+	
FRUIT JUICES		+		+		+		+			+	
GLYCERINE		+		+		+		+		+	+	
HYDROCHLORIC ACID	10	-	30	+	37	-		-		/	10 /	
HYDROCHLORIC ACID	2	-	2	+	2	/					2 /	
HYDROFLUORIC ACID	40	-	40	+		-		-			65 -	
HYDROGEN PEROXIDE	3	-	30	+		-	30	+		/	80 -	
IODINE		-		+		+					/	
LACTIC ACID	10	+	20	+		+	5	+		-	+	
MAGNESIUM CHLORIDE	10	+	Sat.	+			5	+			+	
MERCURY		+	100	+		+	100	/		/	+	
METHYL ALCOHOL	100	+		+		+	100	/		+	/	
METHYLENE CHLORIDE	100	+		/		-		/			-	
MILK		+		+		+		+		+	+	
MINERAL OILS		+		+		+		+			+	
NITRIC ACID	10	-		+	5	-	10	+			10 -	
OLEIC ACID	100	+		+		-	100	/		+	/	
PARAFFIN		+	100	/		+		+			+	
PETROLEUM		+	100	/		+		+		+	+	
PETROLEUM ETHER		+		+		+		+		+	-	
PHOSPHORIC ACID	10	-	85	+	10	-	10	-		-	20 /	
SEA WATER		+		+		/		+		+	+	
SILICON OIL		+		+							+	
SOAP SOLUTION		+		+							+	
SODIUM CARBONATE	10	+	Sat.	+		+	5	+			+	
SODIUM CHLORIDE	10	+	Sat.	+		+	5	+		+	+	
SODIUM HYDROXIDE	10	+	30	+	10	+		-		+	/	
SODIUM HYPOCHLORITE		+	20	+		-		-			-	
SODIUM SILICATE		+					100	+			+	
SODIUM SULPHATE	10	+	Sat.	+		+	5	+			+	
SULPHURIC ACID	10	-	98	+	40	-	10	-		+	-	
TARTARIC ACID		+	10	+	30	/	10	+		-	+	
TETRALINE		+		-							-	
TINCTURE OF IODINE		-		+		+				-	/	
TRANSFORMER OIL		+		/							+	
TRICHLOROETHYLENE	/		/			-		+		+	-	
TURPENTINE	/		-			-		+			-	
VASELINE		+		+		+					+	
VEGETABLE JUICES		+		+		+		+			+	
VEGETABLE OILS		+		+		+		+			+	
VINEGAR		+		+		+		+		+	/	
WATER AND SOAP		+		+		+		+			+	
WHISKY		+		+		+		+		+	+	
WINE		+		+		+		+		+	+	
XILOL		+		-		+		+		/	-	
ZINC CHLORIDE	10	/	20	+			10	-			+	

Abbreviations: Sat. = Saturated
 + = Good resistance.
 / = Fairly good resistance (limited use depending on working conditions).
 - = Poor resistance (not recommended).
 N.B.: Where tests have not been carried out the spaces are left blank.

The data shown in the table are to be considered as purely indicative, since material behaviour under real working conditions depends on different factors: temperature, concentration of the chemical agent, lasting effect of the chemical agent (quick or long).

Lubrication

All self-aligning bearings are supplied factory lubricated, with the exception of F – FL series, for which it is necessary to provide an initial lubrication.

Bearings are prelubricated with long lasting lithium/calcium grease.

Technical data

- NLGI consistency: 2
- Emulsifier: lithium/calcium
- Base oil: mineral
- Base oil viscosity: 165 mm²/s at 40°C
- Operating temperature: - 20°C to +120°C
- Water resistance: Recommended
- Antioxidant properties: Recommended

All self-aligning bearing units are equipped with a grease nipple of the ball type to allow periodical relubrication of the bearing.

- Do not grease at first assembly, with the exception of F – FL series, for which it is necessary to provide an initial lubrication.
- Use only grease of same characteristics as indicated.
- Clean greasing nipple before each greasing operation.
- We recommend to proceed to frequent greasing operations with small quantities of grease.

Relubrication intervals may vary according to actual operating conditions.

In standard operating conditions we recommend to proceed to relubrication every 2 months.

Operating temperatures

		Operating temperatures (°C)		
		contact with air		contact with hot water
Material	Description	Min	Max	Max
PA	Polyamide	- 20	+ 120	+ 100
PA FV	Reinforced polyamide	- 5	+ 120	+ 100
PP	Polypropylene	+ 5	+ 105	+ 105
PP FV	Reinforced polypropylene	+ 5	+ 115	+ 115
POM	Acetal	- 40	+ 80	+ 65
AISI 303 - AISI 304	Austenitic stainless steel (18/8)	- 70	+ 430	+ 120
Fe Zn	Zinc plated steel	- 40	+ 180	-
OT	Nickel plated brass	- 40	+ 180	+ 120
HMWPE	Polyethylene with high molecular density	- 200	+ 80	-
UHMWPE	Polyethylene with ultra high molecular density	- 200	+ 80	+ 70
TPE-S	Thermoplastic elastomer	- 20	+ 70	-

Units of measurement

Length					
	m	cm	mm	in IMPERIAL	in GAS
1 m	= 1	100	1000	39,37007	29,94011
1 cm	= 0,01	1	10	0,393700	0,299401
1 mm	= 0,001	0,1	1	0,039370	0,029940
1 in IMPERIAL	= 0,0254	2,54	25,4	1	-
1 in GAS	= 0,0334	3,34	33,4	-	1

Mass				
	kg	g	kgf · s ² /m	lb
1 kg	= 1	1000	0,1019716	2,204623
1 g	= 0,001	1	0,000102	0,0022046
1 kgf · s ² /m	= 9,80665	9806,65	1	21,61996
1 lb	= 0,4535924	453,5924	0,0462536	1

Force			
	N	kgf	lbf
1 N	= 1	0,1019716	0,2248089
1 kgf	= 9,80665	1	2,204622
1 lbf	= 4,448222	0,4535924	1

Work			
	J (N · m)	kgf · m	lbf · in
1 J (N · m)	= 1	0,1020	8,851124
1 kgf · m	= 9,807	1	86,799893
1 lbf · in	= 0,113	0,0115	1

Cod.	Pag.	Cod.	Pag.	Cod.	Pag.	Cod.	Pag.	Cod.	Pag.	Cod.	Pag.	Cod.	Pag.	Cod.	Pag.
7000	286	7060	288	7120	291	7180	297	7240	327	7271	291	7275	299	7277	318
7001	286	7061	288	7121	291	7181	297	7241	327	7271	292	7275	302	7277	319
7002	286	7062	288	7122	291	7182	306	7242	327	7272	282	7275	303	7277	320
7003	286	7063	288	7123	291	7183	306	7243	327	7272	282	7275	304	7277	321
7004	286	7064	288	7124	291	7184	306	7244	327	7272	285	7275	305	7278	283
7005	286	7065	288	7125	291	7185	306	7245	327	7272	286	7275	306	7278	283
7006	286	7066	288	7126	291	7186	306	7246	327	7272	287	7275	307	7278	284
7007	286	7067	288	7127	291	7187	306	7247	327	7272	288	7276	283	7278	284
7008	286	7068	288	7128	291	7188	306	7248	327	7272	289	7276	283	7278	288
7009	286	7069	288	7129	291	7189	306	7249	327	7272	290	7276	284	7278	289
7010	286	7070	290	7130	291	7190	306	7250	327	7272	295	7276	284	7278	290
7011	286	7071	290	7131	291	7191	306	7251	328	7272	309	7276	288	7278	291
7012	286	7072	290	7132	292	7192	306	7252	328	7272	312	7276	289	7278	292
7013	286	7073	290	7133	292	7193	306	7253	328	7273	282	7276	290	7278	293
7014	286	7074	290	7134	292	7194	307	7254	328	7273	282	7276	291	7278	294
7015	286	7075	290	7135	292	7195	307	7255	328	7273	285	7276	292	7278	296
7016	286	7076	290	7136	292	7196	307	7256	328	7273	286	7276	293	7278	297
7017	286	7077	290	7137	292	7197	307	7257	328	7273	287	7276	294	7278	298
7018	287	7078	290	7138	292	7198	307	7258	328	7273	288	7276	296	7278	299
7019	287	7079	290	7139	292	7199	307	7259	328	7273	289	7276	297	7278	302
7020	287	7080	290	7140	292	7200	307	7260	328	7273	290	7276	298	7278	303
7021	287	7081	290	7141	292	7201	307	7261	328	7273	291	7276	299	7278	304
7022	287	7082	290	7142	292	7202	307	7262	328	7273	309	7276	301	7278	305
7023	287	7083	290	7143	292	7203	307	7263	282	7273	312	7276	302	7278	306
7024	287	7084	290	7144	292	7204	307	7263	286	7273	316	7276	303	7278	307
7025	287	7085	290	7145	292	7205	307	7264	287	7273	317	7276	304	7278	308
7026	287	7086	290	7146	292	7206	307	7264	295	7273	318	7276	305	7278	310
7027	287	7087	290	7147	292	7207	307	7265	283	7273	319	7276	306	7278	311
7028	287	7088	290	7148	292	7208	307	7265	288	7273	320	7276	307	7278	313
7029	287	7089	290	7149	292	7209	307	7266	284	7273	321	7277	283	7278	314
7030	287	7090	290	7150	292	7210	324	7266	290	7274	286	7277	283	7278	315
7031	287	7091	290	7151	292	7211	324	7267	284	7274	287	7277	284	7278	316
7032	287	7092	290	7152	292	7212	324	7267	291	7274	288	7277	284	7278	317
7033	287	7093	290	7153	292	7213	324	7267	296	7274	289	7277	286	7278	318
7034	287	7094	290	7154	296	7214	324	7268	292	7274	290	7277	287	7278	319
7035	287	7095	290	7155	296	7215	324	7268	297	7274	291	7277	288	7278	320
7036	288	7096	290	7156	296	7216	324	7269	281	7274	292	7277	289	7278	321
7037	288	7097	290	7157	296	7217	324	7269	282	7274	309	7277	290	7278	322
7038	288	7098	290	7158	296	7218	324	7269	282	7274	312	7277	291	7279	290
7039	288	7099	290	7159	296	7219	325	7269	285	7274	316	7277	292	7279	291
7040	288	7100	290	7160	296	7220	325	7269	286	7274	317	7277	293	7279	292
7041	288	7101	290	7161	296	7221	325	7269	287	7274	318	7277	296	7279	293
7042	288	7102	290	7162	296	7222	325	7269	288	7274	319	7277	297	7279	294
7043	288	7103	290	7163	296	7223	325	7269	289	7274	320	7277	298	7279	296
7044	288	7104	290	7164	296	7224	325	7269	290	7274	321	7277	299	7279	297
7045	288	7105	290	7165	296	7225	325	7269	295	7275	283	7277	302	7279	298
7046	288	7106	290	7166	297	7226	325	7270	282	7275	283	7277	303	7279	299
7047	288	7107	290	7167	297	7227	325	7270	282	7275	284	7277	304	7279	301
7048	288	7108	290	7168	297	7228	325	7270	285	7275	284	7277	305	7279	302
7049	288	7109	290	7169	297	7229	325	7270	286	7275	286	7277	306	7279	303
7050	288	7110	291	7170	297	7230	325	7270	287	7275	287	7277	307	7279	304
7051	288	7111	291	7171	297	7231	325	7270	288	7275	288	7277	308	7279	305
7052	288	7112	291	7172	297	7232	327	7270	289	7275	289	7277	309	7279	306
7053	288	7113	291	7173	297	7233	327	7270	290	7275	290	7277	310	7279	307
7054	288	7114	291	7174	297	7234	327	7270	291	7275	291	7277	311	7280	290
7055	288	7115	291	7175	297	7235	327	7271	286	7275	292	7277	312	7280	291
7056	288	7116	291	7176	297	7236	327	7271	287	7275	293	7277	313	7280	292
7057	288	7117	291	7177	297	7237	327	7271	288	7275	296	7277	314	7280	293
7058	288	7118	291	7178	297	7238	327	7271	289	7275	297	7277	316	7280	294
7059	288	7119	291	7179	297	7239	327	7271	290	7275	298	7277	317	7280	296

Cod.	Pag.	Cod.	Pag.	Cod.	Pag.	Cod.	Pag.	Cod.	Pag.	Cod.	Pag.	Cod.	Pag.	Cod.	Pag.
7283	295	7289	283	7291	302	7293	298	7296	317	7444	289	7516	298	7576	302
7284	282	7289	283	7291	303	7293	299	7296	318	7445	289	7517	298	7577	302
7284	282	7289	284	7291	304	7293	301	7296	319	7446	289	7518	298	7578	302
7284	285	7289	284	7291	305	7293	302	7296	320	7447	289	7519	298	7579	302
7284	286	7289	286	7291	306	7293	303	7296	321	7448	289	7520	298	7580	302
7284	287	7289	287	7291	307	7293	304	7296	322	7449	289	7521	298	7581	302
7284	288	7289	288	7291	308	7293	305	7390	286	7450	289	7522	298	7582	302
7284	289	7289	289	7291	309	7293	306	7391	286	7451	289	7523	298	7583	302
7284	290	7289	290	7291	310	7293	307	7392	286	7452	289	7524	298	7584	303
7284	291	7289	291	7291	311	7294	290	7393	286	7453	289	7525	298	7585	303
7285	286	7289	292	7291	312	7294	291	7394	286	7454	289	7526	298	7586	303
7285	287	7289	293	7291	313	7294	292	7395	286	7455	289	7527	298	7587	303
7285	288	7289	296	7291	314	7294	293	7396	287	7456	290	7528	298	7588	303
7285	289	7289	297	7291	316	7294	294	7397	287	7457	290	7529	298	7589	303
7285	290	7289	298	7291	317	7294	296	7398	287	7458	290	7530	298	7590	303
7285	291	7289	299	7291	318	7294	297	7399	287	7459	290	7531	298	7591	303
7285	292	7289	302	7291	319	7294	298	7400	287	7460	290	7532	305	7592	303
7286	282	7289	303	7291	320	7294	299	7401	287	7461	290	7533	305	7593	303
7286	282	7289	304	7291	321	7294	302	7402	288	7462	290	7534	305	7594	303
7286	285	7289	305	7292	283	7294	303	7403	288	7463	290	7535	305	7595	303
7286	286	7289	306	7292	283	7294	304	7404	288	7464	290	7536	305	7596	303
7286	287	7289	307	7292	284	7294	305	7405	288	7465	290	7537	305	7597	303
7286	288	7290	283	7292	284	7294	306	7406	288	7466	290	7538	305	7598	303
7286	289	7290	283	7292	288	7294	307	7407	288	7467	290	7539	305	7599	303
7286	290	7290	284	7292	289	7294	308	7408	288	7472	290	7540	305	7600	303
7286	295	7290	284	7292	290	7294	310	7409	288	7473	290	7541	305	7601	303
7286	309	7290	288	7292	291	7294	311	7410	288	7474	291	7542	305	7602	303
7286	312	7290	289	7292	292	7294	313	7411	288	7475	291	7543	305	7603	303
7287	282	7290	290	7292	293	7294	314	7412	289	7476	291	7544	305	7604	303
7287	282	7290	291	7292	294	7294	315	7413	289	7477	291	7545	305	7605	303
7287	285	7290	292	7292	296	7294	316	7414	289	7478	291	7546	305	7614	325
7287	286	7290	293	7292	297	7294	317	7415	289	7479	291	7547	305	7615	325
7287	287	7290	294	7292	298	7294	318	7416	289	7484	291	7548	305	7616	325
7287	288	7290	296	7292	299	7294	319	7417	289	7485	291	7549	305	7617	325
7287	289	7290	297	7292	302	7294	320	7418	289	7486	292	7550	306	7618	325
7287	290	7290	298	7292	303	7294	321	7419	289	7487	292	7551	306	7619	325
7287	291	7290	299	7292	304	7294	322	7420	289	7488	292	7552	306	7620	325
7287	309	7290	301	7292	305	7295	294	7421	289	7489	292	7553	306	7621	325
7287	312	7290	302	7292	306	7295	297	7422	289	7490	292	7554	306	7622	325
7287	316	7290	303	7292	307	7295	298	7423	289	7491	292	7555	306	7623	325
7287	317	7290	304	7292	308	7295	299	7424	289	7496	292	7556	307	7624	328
7287	318	7290	305	7292	310	7295	302	7425	289	7497	292	7557	307	7625	328
7287	319	7290	306	7292	311	7295	303	7426	289	7498	296	7558	307	7626	328
7287	320	7290	307	7292	313	7295	304	7427	289	7499	296	7559	307	7627	283
7287	321	7291	283	7292	314	7295	307	7428	289	7500	296	7560	307	7628	283
7288	286	7291	283	7292	315	7296	294	7429	289	7501	296	7561	307	7629	284
7288	287	7291	284	7292	316	7296	297	7430	289	7502	296	7562	302	7630	284
7288	288	7291	284	7292	317	7296	298	7431	289	7503	296	7563	302	7632	283
7288	289	7291	286	7292	318	7296	299	7432	289	7504	297	7564	302	7632	289
7288	290	7291	287	7292	319	7296	302	7433	289	7505	297	7565	302	7633	293
7288	291	7291	288	7292	320	7296	303	7434	289	7506	297	7566	302	7633	298
7288	292	7291	289	7292	321	7296	304	7435	289	7507	297	7567	302	7634	281
7288	309	7291	290	7292	322	7296	307	7436	289	7508	297	7568	302	7634	282
7288	312	7291	291	7293	290	7296	308	7437	289	7509	297	7569	302	7634	282
7288	316	7291	292	7293	291	7296	310	7438	289	7510	298	7570	302	7634	285
7288	317	7291	293	7293	292	7296	311	7439	289	7511	298	7571	302	7634	286
7288	318	7291	296	7293	293	7296	313	7440	289	7512	298	7572	302	7634	287
7288	319	7291	297	7293	294	7296	314	7441	289	7513	298	7573	302	7634	288
7288	320	7291	298	7293	296	7296	315	7442	289	7514	298	7574	302	7634	289
7288	321	7291	299	7293	297	7296	316	7443	289	7515	298	7575	302	7634	290

Cod.	Pag.	Cod.	Pag.	Cod.	Pag.	Cod.	Pag.	Cod.	Pag.	Cod.	Pag.	Cod.	Pag.	Cod.	Pag.
7794	293	7936	327	80053	205	80075	215	80076	215	80077	231	80078	255	80254	225
7795	293	7937	327	80053	207	80075	215	80076	225	80077	235	80078	271	80254	227
7796	293	7938	327	80053	207	80075	225	80076	225	80077	235	80078	271	80254	227
7797	293	7939	327	80053	209	80075	225	80076	225	80077	241	80078	271	80254	227
7798	293	7940	328	80053	209	80075	225	80076	225	80077	241	80078	271	80254	227
7799	293	7941	328	80053	215	80075	225	80076	227	80077	243	80078	273	80254	227
7800	293	7942	328	80053	215	80075	225	80076	227	80077	243	80078	273	80254	227
7801	293	7950	290	80053	225	80075	225	80076	227	80077	245	80078	273	80254	229
7802	324	80005	203	80053	225	80075	227	80076	227	80077	245	80078	273	80254	229
7803	324	80009	203	80053	227	80075	227	80076	229	80077	249	80155	284	80254	229
7804	324	80010	207	80053	227	80075	227	80076	229	80077	249	80156	282	80254	229
7805	324	80011	205	80053	229	80075	227	80076	231	80077	251	80157	282	80254	231
7806	324	80011	205	80053	229	80075	227	80076	231	80077	251	80158	282	80254	231
7807	327	80011	205	80053	231	80075	227	80076	231	80077	255	80159	282	80254	231
7808	327	80011	207	80053	231	80075	229	80076	231	80077	255	80160	283	80254	231
7809	327	80011	207	80053	235	80075	229	80076	235	80077	271	80161	283	80254	231
7817	327	80011	207	80053	235	80075	231	80076	235	80077	271	80162	284	80254	231
7818	327	80011	209	80053	241	80075	231	80076	241	80077	271	80163	327	80254	235
7851	297	80011	209	80053	241	80075	231	80076	241	80077	271	80164	327	80254	235
7852	297	80011	215	80053	243	80075	231	80076	243	80077	273	80165	327	80254	241
7882	324	80011	215	80053	243	80075	231	80076	243	80077	273	80172	327	80254	241
7883	324	80011	215	80053	245	80075	231	80076	245	80077	273	80173	327	80254	243
7886	287	80011	225	80053	245	80075	235	80076	245	80077	273	80175	205	80254	243
7887	287	80011	225	80053	249	80075	235	80076	249	80078	205	80176	205	80254	245
7888	288	80011	225	80053	249	80075	235	80076	249	80078	205	80177	205	80254	245
7889	288	80011	227	80053	251	80075	241	80076	251	80078	207	80178	209	80254	249
7890	289	80011	227	80053	251	80075	241	80076	251	80078	207	80179	209	80254	249
7891	289	80011	227	80053	255	80075	241	80076	255	80078	209	80180	209	80254	251
7892	290	80011	229	80053	255	80075	243	80076	255	80078	209	80181	225	80254	251
7893	290	80011	229	80053	265	80075	243	80076	259	80078	211	80182	225	80254	255
7894	286	80011	231	80053	265	80075	243	80076	259	80078	211	80183	225	80254	255
7895	286	80011	231	80053	267	80075	245	80076	261	80078	215	80184	229	80254	259
7896	287	80011	231	80053	267	80075	245	80076	261	80078	215	80185	229	80254	259
7897	287	80011	235	80054	207	80075	245	80076	265	80078	225	80186	229	80254	261
7898	288	80011	235	80055	207	80075	249	80076	265	80078	225	80209	323	80254	261
7899	288	80011	235	80057	203	80075	249	80076	267	80078	225	80210	323	80254	265
7900	289	80011	241	80058	203	80075	249	80076	267	80078	225	80211	323	80254	265
7901	289	80011	241	80060	203	80075	251	80077	205	80078	227	80212	323	80254	267
7902	290	80011	241	80061	203	80075	251	80077	205	80078	227	80214	301	80254	267
7903	290	80011	243	80063	227	80075	251	80077	207	80078	227	80248	203	80255	205
7904	296	80011	243	80064	227	80075	255	80077	207	80078	227	80249	203	80255	205
7905	296	80011	243	80065	227	80075	255	80077	209	80078	229	80250	203	80255	207
7906	297	80011	245	80067	223	80075	255	80077	209	80078	229	80251	203	80255	207
7907	297	80011	245	80068	223	80075	259	80077	211	80078	231	80252	205	80255	209
7908	298	80011	245	80069	223	80075	259	80077	211	80078	231	80253	205	80255	209
7909	298	80011	249	80071	223	80075	261	80077	215	80078	231	80254	205	80255	211
7910	305	80011	249	80072	223	80075	261	80077	215	80078	231	80254	205	80255	211
7911	305	80011	249	80073	223	80075	265	80077	225	80078	235	80254	207	80255	215
7912	306	80011	251	80075	205	80075	265	80077	225	80078	235	80254	207	80255	215
7913	306	80011	251	80075	205	80075	267	80077	225	80078	241	80254	209	80255	225
7914	307	80011	251	80075	205	80075	267	80077	225	80078	241	80254	209	80255	225
7915	307	80011	255	80075	207	80076	205	80077	227	80078	243	80254	211	80255	225
7916	302	80011	255	80075	207	80076	205	80077	227	80078	243	80254	211	80255	225
7917	302	80011	255	80075	207	80076	207	80077	227	80078	245	80254	215	80255	225
7918	303	80011	265	80075	209	80076	207	80077	227	80078	245	80254	215	80255	225
7919	303	80011	265	80075	209	80076	209	80077	229	80078	249	80254	225	80255	227
7930	325	80011	267	80075	211	80076	209	80077	229	80078	249	80254	225	80255	227
7932	325	80011	267	80075	211	80076	211	80077	231	80078	251	80254	225	80255	227
7934	325	80036	327	80075	211	80076	211	80077	231	80078	251	80254	225	80255	227
7935	325	80053	205	80075	215	80076	215	80077	231	80078	255	80254	225	80255	227

Cod.	Pag.	Cod.	Pag.	Cod.	Pag.	Cod.	Pag.	Cod.	Pag.	Cod.	Pag.	Cod.	Pag.	Cod.	Pag.		
80256 207	80256 245	80257 231	80275 241	80377 203	80495 221	80645 15	80715 327	80814 165
80256 207	80256 245	80257 231	80275 241	80378 203	80495 221	80646 15	80716 327	80815 165
80256 207	80256 245	80257 231	80275 243	80400 203	80495 221	80647 15	80717 327	80816 165
80256 209	80256 249	80257 235	80275 243	80409 199	80497 201	80648 13	80718 327	80817 165
80256 209	80256 249	80257 235	80275 245	80410 199	80499 201	80649 13	80724 203	80818 50
80256 209	80256 249	80257 235	80275 245	80411 199	80500 201	80650 12	80749 160	80819 50
80256 209	80256 251	80257 241	80275 249	80412 199	80501 201	80651 12	80753 10	80820 50
80256 209	80256 251	80257 241	80275 249	80413 201	80514 207	80652 17	80754 27	80821 50
80256 209	80256 251	80257 241	80275 251	80414 201	80515 207	80653 17	80755 19	80822 50
80256 209	80256 255	80257 243	80275 251	80445 203	80519 227	80654 17	80756 19	80857 324
80256 209	80256 255	80257 243	80275 255	80446 203	80520 227	80655 17	80757 19	80858 324
80256 211	80256 255	80257 243	80275 255	80447 203	80521 227	80656 17	80759 19	80859 324
80256 211	80257 201	80257 245	80275 271	80448 203	80522 227	80657 17	80760 20	80860 324
80256 211	80257 201	80257 245	80275 271	80449 203	80523 229	80658 21	80761 20	80861 324
80256 211	80257 201	80257 245	80275 271	80450 203	80540 225	80659 21	80762 20	80862 324
80256 211	80257 205	80257 249	80275 271	80451 203	80542 227	80660 21	80764 12	80863 324
80256 211	80257 205	80257 249	80275 273	80453 199	80546 327	80663 22	80765 12	80864 324
80256 211	80257 205	80257 249	80275 273	80454 199	80548 298	80664 23	80766 12	80865 324
80256 211	80257 205	80257 251	80275 273	80455 199	80561 205	80665 23	80767 12	80866 324
80256 211	80257 205	80257 251	80275 273	80464 199	80588 10	80666 23	80768 12	80867 324
80256 211	80257 205	80257 251	80304 203	80476 227	80589 10	80667 27	80769 12	80868 324
80256 211	80257 207	80257 255	80315 227	80477 207	80590 10	80668 36	80770 12	80869 324
80256 211	80257 207	80257 255	80322 209	80478 207	80591 10	80669 36	80771 12	80870 324
80256 211	80257 207	80257 255	80325 323	80479 201	80592 10	80670 36	80772 104	80871 324
80256 215	80257 207	80258 207	80326 323	80480 227	80593 10	80671 36	80773 104	80873 324
80256 215	80257 207	80259 207	80327 323	80481 227	80609 159	80672 36	80774 104	80874 324
80256 215	80257 207	80260 209	80354 205	80483 225	80611 159	80673 36	80775 104	80875 324
80256 221	80257 209	80261 209	80354 205	80485 199	80612 10	80675 37	80776 104	80876 324
80256 221	80257 209	80262 223	80354 207	80486 199	80613 10	80676 29	80777 104	80877 324
80256 221	80257 209	80263 223	80354 207	80494 201	80614 10	80677 29	80778 31	80878 324
80256 221	80257 209	80264 225	80354 209	80494 201	80615 10	80678 38	80779 31	80879 324
80256 225	80257 211	80265 227	80354 209	80494 201	80616 10	80679 38	80780 31	80880 324
80256 225	80257 211	80266 229	80354 215	80494 205	80617 10	80680 38	80786 301	80881 324
80256 225	80257 211	80271 10	80354 215	80494 205	80618 10	80681 159	80787 160	80882 324
80256 225	80257 211	80275 205	80354 225	80494 205	80619 10	80682 159	80788 160	80883 324
80256 225	80257 211	80275 205	80354 225	80494 207	80620 10	80683 159	80789 205	80884 324
80256 225	80257 211	80275 207	80354 227	80494 207	80621 10	80684 159	80790 13	80885 324
80256 227	80257 215	80275 207	80354 227	80494 207	80622 11	80685 159	80791 13	80886 324
80256 227	80257 215	80275 209	80354 229	80494 209	80623 11	80686 159	80792 13	80887 324
80256 227	80257 215	80275 209	80354 229	80494 209	80624 11	80687 160	80793 13	80888 324
80256 227	80257 221	80275 211	80354 231	80494 211	80625 11	80688 160	80794 13	80889 324
80256 227	80257 221	80275 211	80354 231	80494 211	80626 11	80693 323	80795 13	80890 325
80256 227	80257 221	80275 215	80354 235	80494 211	80627 11	80694 323	80796 13	80891 325
80256 229	80257 225	80275 215	80354 235	80494 221	80628 11	80695 207	80797 13	80892 325
80256 229	80257 225	80275 225	80354 241	80494 221	80629 11	80697 203	80798 165	80893 325
80256 231	80257 225	80275 225	80354 241	80494 221	80630 11	80699 203	80799 165	80894 325
80256 231	80257 225	80275 225	80354 243	80495 201	80631 11	80701 205	80800 165	80895 325
80256 231	80257 225	80275 225	80354 243	80495 201	80632 11	80702 293	80801 165	80896 325
80256 231	80257 225	80275 227	80354 245	80495 201	80633 11	80703 293	80802 165	80897 325
80256 231	80257 227	80275 227	80354 245	80495 205	80634 11	80704 293	80803 165	80898 325
80256 231	80257 227	80275 227	80354 249	80495 205	80635 11	80705 293	80804 165	80899 325
80256 235	80257 227	80275 227	80354 249	80495 205	80636 11	80706 293	80805 165	80900 325
80256 235	80257 227	80275 229	80354 251	80495 207	80637 11	80707 293	80806 165	80901 325
80256 235	80257 227	80275 229	80354 251	80495 207	80638 15	80708 293	80807 165	80902 325
80256 241	80257 227	80275 231	80354 255	80495 207	80639 15	80709 293	80808 165	80903 325
80256 241	80257 229	80275 231	80354 255	80495 209	80640 15	80710 293	80809 165	80904 325
80256 241	80257 229	80275 231	80354 265	80495 209	80641 15	80711 293	80810 165	80905 325
80256 243	80257 231	80275 231	80354 265	80495 211	80642 15	80712 207	80811 165	80906 325
80256 243	80257 231	80275 235	80354 267	80495 211	80643 15	80713 209	80812 165	80907 325
80256 243	80257 231	80275 235	80354 267	80495 211	80644 15	80714 327	80813 165	80908 325

Cod.	Pag.	Cod.	Pag.	Cod.	Pag.	Cod.	Pag.	Cod.	Pag.	Cod.	Pag.	Cod.	Pag.	Cod.	Pag.
80909	325	80969	231	81017	324	82023	61	82102	17	82183	323	82276	205	82276	267
80913	327	80969	235	81018	325	82024	61	82104	17	82184	323	82276	207	82277	205
80914	327	80969	235	81019	325	82029	227	82105	17	82201	56	82276	207	82277	205
80915	327	80969	241	81020	325	82030	227	82106	21	82202	56	82276	207	82277	207
80916	327	80969	241	81021	325	82031	227	82107	17	82203	56	82276	209	82277	207
80917	327	80969	243	81022	325	82032	100	82108	21	82204	56	82276	209	82277	209
80918	327	80969	243	81023	325	82033	101	82109	17	82205	57	82276	211	82277	209
80919	327	80969	245	81024	325	82034	101	82110	21	82206	57	82276	211	82277	211
80920	327	80969	245	81025	325	82035	36	82111	27	82207	57	82276	211	82277	211
80921	328	80969	249	81026	325	82036	36	82113	22	82208	57	82276	215	82277	215
80922	328	80969	249	81027	325	82037	36	82114	23	82215	101	82276	215	82277	215
80923	328	80969	251	81028	325	82038	91	82115	23	82217	101	82276	215	82277	225
80924	328	80969	251	81029	325	82039	91	82116	23	82218	101	82276	225	82277	225
80925	328	80969	255	81030	325	82040	67	82117	47	82219	56	82276	225	82277	225
80926	328	80969	255	81031	327	82041	67	82118	328	82220	56	82276	225	82277	225
80927	328	80969	271	81032	328	82042	52	82119	328	82221	56	82276	225	82277	227
80928	328	80969	271	81043	205	82043	52	82120	328	82222	56	82276	225	82277	227
80929	328	80969	271	81045	207	82044	52	82121	328	82223	57	82276	225	82277	227
80930	328	80969	271	81047	205	82045	52	82122	328	82224	57	82276	227	82277	227
80931	328	80969	273	81049	205	82046	55	82123	328	82225	57	82276	227	82277	229
80932	328	80969	273	81050	205	82047	55	82124	20	82226	57	82276	227	82277	229
80933	328	80969	273	81051	205	82048	53	82125	20	82227	58	82276	227	82277	231
80934	328	80969	273	81052	207	82049	53	82126	20	82228	58	82276	227	82277	231
80935	328	80970	104	81053	225	82050	53	82127	24	82229	58	82276	227	82277	231
80936	328	80976	207	81054	225	82051	53	82128	24	82230	58	82276	229	82277	231
80937	328	80978	165	81055	225	82052	54	82129	24	82231	58	82276	229	82277	235
80938	328	80979	165	81056	225	82053	54	82130	24	82232	58	82276	231	82277	235
80939	328	80980	165	81057	203	82054	54	82131	24	82233	58	82276	231	82277	241
80940	328	80981	165	81058	203	82055	54	82132	24	82234	58	82276	231	82277	241
80941	328	80982	165	81059	199	82056	55	82134	296	82235	58	82276	231	82277	243
80953	325	80985	49	81060	199	82057	55	82135	296	82236	58	82276	231	82277	243
80958	48	80986	49	81061	199	82058	55	82136	298	82237	58	82276	231	82277	245
80959	48	80987	49	81062	223	82059	55	82137	298	82238	58	82276	235	82277	245
80960	48	80988	47	81063	223	82060	62	82138	302	82239	58	82276	235	82277	249
80961	48	80989	47	81064	223	82061	62	82139	302	82240	58	82276	235	82277	249
80962	48	80990	47	81065	223	82062	62	82140	303	82241	58	82276	241	82277	251
80963	48	80991	47	81066	223	82063	62	82141	303	82242	58	82276	241	82277	251
80969	205	80992	47	81067	223	82064	62	82144	305	82243	58	82276	241	82277	255
80969	205	80993	47	81068	223	82065	62	82145	305	82244	58	82276	243	82277	255
80969	207	80994	47	81069	223	82066	62	82146	306	82245	58	82276	243	82277	259
80969	207	80995	47	81135	39	82067	62	82147	306	82246	58	82276	243	82277	259
80969	209	80996	48	81137	39	82068	98	82148	307	82247	58	82276	245	82277	261
80969	209	80997	48	81139	39	82069	98	82149	307	82248	58	82276	245	82277	261
80969	211	80998	48	81147	38	82070	10	82150	24	82249	58	82276	245	82277	265
80969	211	80999	48	81148	38	82071	10	82151	24	82250	58	82276	249	82277	265
80969	215	81000	48	81176	17	82072	12	82152	24	82251	63	82276	249	82277	267
80969	215	81001	48	82000	110	82073	12	82154	63	82252	63	82276	249	82277	267
80969	225	81002	28	82001	110	82074	295	82155	63	82253	63	82276	251	82278	205
80969	225	81003	21	82002	109	82075	295	82156	63	82254	63	82276	251	82278	205
80969	225	81004	21	82003	107	82076	295	82157	63	82256	100	82276	251	82278	205
80969	225	81005	21	82004	107	82077	295	82173	323	82258	58	82276	255	82278	207
80969	227	81007	22	82005	106	82078	295	82174	323	82259	58	82276	255	82278	207
80969	227	81008	23	82010	50	82079	295	82175	323	82260	58	82276	255	82278	207
80969	227	81009	23	82013	328	82080	328	82176	323	82261	58	82276	259	82278	209
80969	227	81010	23	82017	61	82081	328	82177	323	82262	58	82276	259	82278	209
80969	229	81011	37	82018	61	82082	328	82178	323	82263	58	82276	261	82278	215
80969	229	81012	31	82019	61	82083	324	82179	323	82264	63	82276	261	82278	215
80969	231	81013	31	82020	61	82084	324	82180	323	82271	47	82276	265	82278	215
80969	231	81015	324	82021	61	82085	325	82181	323	82276	205	82276	265	82278	225
80969	231	81016	324	82022	61	82086	325	82182	323	82276	205	82276	267	82278	225

Cod.	Pag.	Cod.	Pag.	Cod.	Pag.	Cod.	Pag.	Cod.	Pag.	Cod.	Pag.	Cod.	Pag.	Cod.	Pag.		
82279	251	82280	229	82281	243	82285	209	82305	227	82306	229	82560	90	82695	326	82765	225
82279	251	82280	231	82281	245	82285	211	82305	227	82306	231	82561	90	82696	326	82765	225
82279	255	82280	231	82281	245	82285	211	82305	227	82306	231	82562	90	82697	326	82765	225
82279	255	82280	231	82281	249	82285	215	82305	229	82306	231	82563	90	82698	326	82765	225
82279	265	82280	231	82281	249	82285	215	82305	229	82306	231	82564	90	82699	326	82765	227
82279	265	82280	235	82281	251	82285	225	82305	229	82306	231	82565	90	82700	326	82765	227
82279	267	82280	235	82281	251	82285	225	82305	229	82306	231	82566	90	82701	326	82765	227
82279	267	82280	241	82281	255	82285	225	82305	231	82306	235	82567	90	82702	326	82765	227
82280	201	82280	241	82281	255	82285	225	82305	231	82306	235	82568	90	82703	326	82765	231
82280	201	82280	243	82284	205	82285	227	82305	231	82306	241	82569	159	82704	326	82765	231
82280	201	82280	243	82284	205	82285	227	82305	231	82306	241	82570	159	82705	326	82765	231
82280	205	82280	245	82284	207	82285	227	82305	231	82306	243	82571	159	82706	326	82765	231
82280	205	82280	245	82284	207	82285	227	82305	231	82306	243	82572	159	82707	329	82766	223
82280	205	82280	249	82284	209	82285	229	82305	235	82306	245	82573	161	82708	329	82767	223
82280	205	82280	249	82284	209	82285	229	82305	235	82306	245	82574	161	82709	329	82770	239
82280	205	82280	251	82284	211	82285	231	82305	241	82306	249	82575	161	82710	329	82771	239
82280	205	82280	251	82284	211	82285	231	82305	241	82306	249	82576	161	82711	329	82772	241
82280	205	82280	255	82284	215	82285	231	82305	243	82306	251	82577	161	82712	329	82773	243
82280	205	82280	255	82284	215	82285	231	82305	243	82306	251	82578	160	82713	329	82774	239
82280	205	82281	201	82284	225	82285	235	82305	245	82306	255	82579	103	82714	329	82775	239
82280	207	82281	201	82284	225	82285	235	82305	245	82306	255	82580	62	82715	329	82776	241
82280	207	82281	205	82284	225	82285	241	82305	249	82306	259	82581	62	82716	329	82777	243
82280	207	82281	205	82284	225	82285	241	82305	249	82306	259	82582	62	82717	329	82789	62
82280	207	82281	205	82284	227	82285	243	82305	251	82306	261	82583	62	82718	329	82797	56
82280	207	82281	205	82284	227	82285	243	82305	251	82306	261	82584	62	82719	329	82804	201
82280	207	82281	207	82284	227	82285	245	82305	255	82306	265	82585	62	82720	329	82804	201
82280	207	82281	207	82284	227	82285	245	82305	255	82306	265	82586	62	82721	329	82804	205
82280	207	82281	207	82284	229	82285	249	82305	259	82306	267	82587	62	82722	329	82804	205
82280	207	82281	207	82284	229	82285	249	82305	259	82306	267	82588	42	82726	329	82804	205
82280	209	82281	209	82284	231	82285	251	82305	261	82388	199	82590	323	82727	329	82804	205
82280	209	82281	209	82284	231	82285	251	82305	261	82392	203	82591	323	82728	329	82804	207
82280	209	82281	209	82284	231	82285	255	82305	265	82404	205	82611	57	82729	329	82804	207
82280	209	82281	209	82284	231	82285	255	82305	265	82405	203	82612	57	82730	326	82804	207
82280	209	82281	211	82284	235	82285	271	82305	267	82408	223	82613	57	82731	326	82804	207
82280	209	82281	211	82284	235	82285	271	82305	267	82409	223	82614	57	82732	326	82804	209
82280	209	82281	211	82284	241	82285	271	82306	205	82478	241	82615	57	82733	326	82804	209
82280	209	82281	211	82284	241	82285	271	82306	205	82479	241	82616	57	82734	326	82804	209
82280	211	82281	215	82284	243	82285	273	82306	207	82483	207	82617	57	82735	326	82804	209
82280	211	82281	215	82284	243	82285	273	82306	207	82490	225	82618	57	82736	326	82804	211
82280	211	82281	221	82284	245	82285	273	82306	209	82505	103	82619	57	82737	326	82804	211
82280	211	82281	221	82284	245	82285	273	82306	209	82516	323	82620	57	82738	326	82804	211
82280	211	82281	225	82284	249	82305	205	82306	211	82526	66	82621	57	82739	326	82804	211
82280	211	82281	225	82284	249	82305	205	82306	211	82528	66	82622	57	82740	326	82804	215
82280	211	82281	225	82284	251	82305	207	82306	215	82529	66	82624	58	82741	326	82804	215
82280	211	82281	225	82284	251	82305	207	82306	215	82530	66	82625	58	82742	326	82804	221
82280	211	82281	227	82284	255	82305	209	82306	225	82532	53	82626	58	82743	326	82804	221
82280	215	82281	227	82284	255	82305	209	82306	225	82533	53	82627	58	82744	326	82804	225
82280	215	82281	227	82284	271	82305	211	82306	225	82534	53	82628	58	82745	326	82804	225
82280	221	82281	227	82284	271	82305	211	82306	225	82535	53	82629	58	82746	326	82804	225
82280	221	82281	229	82284	271	82305	215	82306	225	82536	54	82630	63	82747	326	82804	225
82280	221	82281	229	82284	271	82305	215	82306	225	82537	54	82632	13	82751	164	82804	227
82280	225	82281	231	82284	273	82305	225	82306	227	82538	54	82633	13	82764	225	82804	227
82280	225	82281	231	82284	273	82305	225	82306	227	82539	54	82640	31	82764	225	82804	227
82280	225	82281	231	82284	273	82305	225	82306	227	82540	47	82652	207	82764	225	82804	227
82280	225	82281	231	82284	273	82305	225	82306	227	82549	203	82658	45	82764	227	82804	229
82280	227	82281	235	82285	205	82305	225	82306	227	82555	90	82664	103	82764	227	82804	229
82280	227	82281	235	82285	205	82305	225	82306	227	82556	90	82680	93	82764	227	82804	231
82280	227	82281	241	82285	207	82305	227	82306	229	82557	90	82681	93	82764	231	82804	231
82280	227	82281	241	82285	207	82305	227	82306	229	82558	90	82682	100	82764	231	82804	231
82280	229	82281	243	82285	209	82305	227	82306	229	82559	90	82683	31	82764	231	82804	231

Cod.	Pag.	Cod.	Pag.	Cod.	Pag.	Cod.	Pag.	Cod.	Pag.	Cod.	Pag.	Cod.	Pag.	Cod.	Pag.
82804	235	82890	325	83045	225	83088	209	83101	94	83216	296	83277	289	83413	95
82804	235	82891	325	83046	225	83088	209	83102	199	83217	296	83278	289	83414	95
82804	241	82892	325	83047	225	83088	209	83103	199	83218	296	83279	289	83415	95
82804	241	82893	325	83048	227	83088	209	83110	12	83219	296	83280	289	83416	95
82804	243	82894	325	83049	227	83088	209	83113	44	83220	297	83281	289	83417	95
82804	243	82895	325	83050	227	83088	209	83115	46	83221	297	83282	290	83418	95
82804	245	82911	100	83052	318	83088	211	83116	41	83222	297	83283	290	83419	95
82804	245	82912	100	83053	318	83088	211	83117	46	83223	297	83284	290	83420	95
82804	249	82913	126	83054	318	83088	211	83128	102	83224	297	83285	290	83421	95
82804	249	82916	113	83055	318	83088	211	83138	102	83225	297	83286	290	83422	95
82804	251	82917	124	83056	318	83088	211	83145	311	83226	298	83287	290	83423	95
82804	251	82918	124	83057	318	83088	211	83155	311	83227	298	83288	291	83424	95
82804	255	82919	124	83058	318	83088	211	83156	288	83228	298	83289	291	83425	95
82804	255	82920	124	83059	318	83088	211	83157	288	83229	298	83290	291	83441	152
82805	42	82949	31	83060	318	83088	211	83158	289	83230	298	83291	291	83442	150
82806	43	82968	304	83061	318	83088	215	83159	289	83231	298	83292	291	83445	195
82807	43	82970	304	83062	318	83088	215	83160	290	83232	302	83293	291	83446	195
82808	43	82971	49	83063	318	83088	221	83161	290	83233	302	83294	292	83449	195
82809	112	82972	304	83064	318	83088	221	83162	292	83234	302	83295	292	83450	195
82810	112	82973	323	83065	318	83088	221	83163	292	83235	302	83296	292	83451	195
82811	113	82974	304	83066	318	83088	225	83164	293	83236	302	83297	292	83452	195
82812	91	82975	323	83067	318	83088	225	83165	293	83237	302	83298	293	83461	201
82813	91	82976	304	83068	318	83088	225	83166	291	83238	303	83299	293	83462	205
82827	67	82977	323	83073	311	83088	225	83167	291	83239	303	83300	293	83465	318
82828	67	82978	304	83074	311	83088	227	83168	291	83240	303	83301	293	83466	203
82829	67	82980	304	83075	311	83088	227	83169	291	83241	303	83302	41	83467	203
82830	67	82982	304	83076	311	83088	227	83170	291	83242	303	83303	41	83468	207
82831	67	82984	304	83077	311	83088	227	83171	291	83243	303	83304	164	83473	120
82833	62	82986	304	83078	311	83088	229	83172	291	83244	305	83305	164	83474	120
82841	66	82987	227	83079	311	83088	229	83173	291	83245	305	83306	164	83475	121
82842	66	82988	304	83081	311	83088	231	83174	291	83246	305	83307	58	83476	121
82843	66	82990	304	83082	311	83088	231	83175	291	83247	305	83309	58	83503	91
82844	66	82991	203	83083	311	83088	231	83176	291	83248	305	83313	58	83504	91
82845	45	82992	304	83084	311	83088	231	83177	291	83249	305	83314	58	83520	209
82846	45	82993	203	83085	311	83088	235	83178	291	83250	306	83319	132	83524	310
82847	45	82994	304	83086	311	83088	235	83179	291	83251	306	83331	55	83525	310
82848	40	82998	11	83087	311	83088	241	83180	291	83252	306	83357	129	83526	310
82849	40	82999	11	83088	201	83088	241	83181	291	83253	306	83359	129	83527	310
82850	40	83003	116	83088	201	83088	243	83182	291	83254	306	83361	130	83528	310
82853	62	83004	116	83088	201	83088	243	83183	291	83255	306	83363	130	83529	310
82855	62	83005	117	83088	205	83088	245	83184	292	83256	307	83372	133	83530	310
82857	223	83006	117	83088	205	83088	245	83185	292	83257	307	83378	93	83531	310
82858	223	83007	125	83088	205	83088	249	83186	292	83258	307	83380	131	83532	310
82859	223	83021	137	83088	205	83088	249	83187	292	83259	307	83390	162	83533	310
82860	223	83023	241	83088	205	83088	251	83188	292	83260	307	83391	162	83534	310
82861	239	83025	243	83088	205	83088	251	83189	292	83261	307	83392	162	83535	310
82862	239	83027	239	83088	205	83088	255	83200	10	83262	304	83393	162	83536	310
82865	239	83029	243	83088	205	83088	255	83201	10	83263	311	83394	162	83537	310
82866	239	83031	239	83088	205	83089	137	83202	10	83264	304	83395	163	83538	310
82867	223	83033	239	83088	207	83090	94	83203	10	83266	286	83396	163	83539	310
82868	223	83035	225	83088	207	83091	94	83204	11	83267	286	83398	42	83540	317
82869	223	83036	225	83088	207	83092	94	83205	11	83268	287	83399	42	83541	317
82870	223	83037	227	83088	207	83093	94	83206	11	83269	287	83403	207	83542	317
82871	97	83038	227	83088	207	83094	94	83207	11	83270	288	83404	207	83543	317
82872	97	83039	241	83088	207	83095	94	83208	12	83271	288	83405	207	83544	317
82873	56	83040	239	83088	207	83096	94	83209	311	83272	288	83410	293	83545	317
82880	281	83041	241	83088	207	83097	94	83210	13	83273	288	83410	298	83546	317
82882	301	83042	243	83088	207	83098	94	83211	13	83274	288	83410	300	83547	317
82886	281	83043	318	83088	209	83099	94	83214	296	83275	288	83411	95	83548	317
82889	325	83044	243	83088	209	83100	94	83215	296	83276	289	83412	95	83549	317

Cod.	Pag.	Cod.	Pag.	Cod.	Pag.	Cod.	Pag.	Cod.	Pag.	Cod.	Pag.	Cod.	Pag.	Cod.	Pag.		
83649	90	83762	313	83828	209	83901	261	84003	219	84086	170	84130	32	84272	285	84481	94
83651	318	83763	313	83829	209	83901	265	84005	219	84087	184	84131	143	84273	285	84482	94
83652	195	83764	313	83831	308	83901	265	84006	219	84091	105	84132	15	84274	285	84483	94
83653	195	83765	313	83860	96	83901	267	84007	221	84100	205	84133	15	84275	285	84485	167
83682	247	83766	313	83866	287	83901	267	84008	221	84100	205	84134	317	84276	285	84486	167
83683	247	83767	313	83871	164	83907	229	84009	221	84100	205	84135	320	84277	285	84487	166
83684	247	83768	313	83881	152	83908	225	84010	219	84100	207	84136	321	84278	285	84488	166
83685	247	83769	313	83882	151	83911	324	84011	221	84100	207	84145	241	84279	285	84490	203
83686	247	83770	313	83890	137	83912	324	84012	221	84100	207	84146	209	84280	285	84491	203
83687	247	83771	313	83895	90	83913	324	84013	221	84100	209	84147	209	84281	285	84492	203
83688	249	83772	313	83899	241	83914	325	84014	223	84100	209	84148	229	84282	285	84493	205
83689	249	83773	313	83901	205	83915	325	84015	223	84100	215	84150	229	84283	285	84494	205
83690	249	83774	313	83901	205	83916	324	84016	223	84100	215	84153	330	84284	285	84495	205
83691	251	83775	313	83901	207	83917	324	84017	223	84100	215	84154	330	84285	285	84496	207
83692	251	83776	313	83901	207	83918	324	84018	223	84100	225	84155	330	84286	285	84497	207
83693	251	83777	313	83901	209	83919	324	84019	225	84100	225	84156	330	84287	285	84498	207
83696	247	83778	313	83901	209	83920	324	84020	227	84100	225	84157	330	84288	285	84499	199
83697	247	83779	313	83901	211	83921	324	84021	219	84100	227	84158	330	84289	285	84500	203
83698	247	83784	309	83901	211	83922	324	84022	219	84100	227	84159	330	84290	285	84501	203
83699	247	83785	309	83901	215	83923	324	84023	219	84100	227	84160	330	84303	151	84502	203
83700	247	83786	309	83901	215	83924	324	84024	219	84100	229	84161	330	84304	61	84503	199
83701	247	83787	309	83901	225	83925	324	84025	46	84100	229	84162	330	84305	61	84505	201
83702	249	83788	309	83901	225	83926	324	84038	203	84100	231	84165	175	84306	61	84506	223
83703	249	83789	309	83901	225	83927	327	84039	203	84100	231	84166	176	84307	61	84507	223
83704	249	83790	309	83901	225	83928	327	84040	203	84100	231	84167	176	84308	61	84508	223
83705	251	83791	309	83901	225	83929	327	84041	203	84100	235	84168	176	84309	323	84509	223
83706	251	83792	309	83901	225	83930	328	84042	205	84100	235	84169	176	84311	323	84510	225
83707	251	83793	309	83901	227	83931	328	84043	207	84100	235	84180	61	84316	44	84511	225
83717	183	83794	309	83901	227	83932	328	84044	207	84100	241	84182	142	84318	301	84513	227
83718	183	83795	309	83901	227	83933	328	84045	209	84100	241	84183	142	84323	16	84514	227
83719	183	83796	309	83901	227	83934	324	84046	209	84100	241	84185	142	84324	14	84515	223
83720	183	83797	309	83901	227	83958	308	84048	239	84100	243	84190	317	84325	16	84516	223
83721	184	83798	309	83901	227	83959	308	84049	239	84100	243	84191	318	84326	16	84517	225
83722	184	83799	309	83901	229	83960	308	84050	239	84100	243	84193	320	84327	167	84518	225
83723	184	83800	309	83901	229	83961	308	84051	239	84100	245	84195	321	84328	35	84519	227
83724	184	83801	309	83901	229	83962	308	84052	239	84100	245	84196	152	84329	35	84520	227
83725	185	83802	316	83901	229	83963	308	84053	239	84100	245	84197	152	84330	35	84521	219
83726	185	83803	316	83901	231	83964	308	84054	239	84100	249	84198	150	84331	35	84522	221
83727	185	83804	316	83901	231	83965	308	84055	239	84100	249	84199	150	84332	35	84523	239
83733	151	83805	316	83901	231	83966	308	84056	241	84100	249	84207	189	84333	35	84524	239
83735	151	83806	316	83901	231	83967	308	84057	241	84100	251	84208	194	84334	33	84525	239
83737	100	83807	316	83901	231	83968	308	84058	241	84100	251	84209	194	84335	33	84526	239
83744	320	83808	316	83901	231	83969	308	84059	241	84100	251	84222	320	84336	33	84527	241
83745	320	83809	316	83901	235	83970	308	84060	243	84100	255	84223	320	84337	33	84528	241
83746	320	83810	316	83901	235	83971	308	84061	243	84100	255	84226	37	84338	33	84529	243
83747	320	83811	316	83901	241	83973	156	84062	243	84100	255	84234	225	84339	33	84530	243
83748	320	83812	316	83901	241	83985	227	84063	243	84100	265	84238	249	84440	14	84531	247
83749	320	83813	316	83901	243	83989	223	84069	51	84100	265	84239	184	84442	167	84532	247
83750	320	83814	316	83901	243	83990	223	84070	51	84100	267	84244	101	84443	167	84533	247
83751	320	83815	316	83901	245	83991	223	84071	51	84100	267	84245	101	84444	95	84534	247
83752	320	83816	316	83901	245	83992	225	84072	51	84107	227	84246	101	84445	95	84535	249
83753	320	83817	316	83901	249	83993	225	84076	247	84109	164	84247	101	84446	95	84536	249
83754	320	83818	316	83901	249	83994	225	84077	247	84113	189	84251	101	84473	39	84537	251
83755	320	83819	316	83901	251	83995	227	84078	247	84119	42	84253	101	84474	170	84538	251
83756	320	83822	309	83901	251	83996	227	84079	247	84120	42	84255	225	84475	170	84539	223
83757	320	83823	309	83901	255	83997	227	84080	249	84121	172	84258	164	84476	172	84540	223
83758	320	83824	309	83901	255	83999	219	84081	249	84122	172	84259	164	84477	172	84541	219
83759	320	83825	309	83901	259	84000	219	84082	251	84123	171	84260	44	84478	171	84542	37
83760	320	83826	309	83901	259	84001	219	84083	251	84124	41	84270	285	84479	94	84543	37
83761	320	83827	309	83901	261	84002	219	84085	170	84128	32	84271	285	84480	94	84544	37

Cod.	Pag.	Cod.	Pag.	Cod.	Pag.	Cod.	Pag.	Cod.	Pag.	Cod.	Pag.	Cod.	Pag.	Cod.	Pag.		
85232 227	85374 134	85384 255	85417 68	85529 203	85647 269	85755 294	85850 194	85915 319
85233 229	85375 135	85384 255	85418 68	85530 203	85649 269	85756 299	85853 286	85916 319
85234 229	85376 136	85384 259	85419 68	85531 223	85651 269	85758 299	85854 318	85917 319
85235 126	85377 134	85384 259	85420 68	85532 223	85653 269	85760 299	85856 318	85918 319
85237 149	85378 135	85384 261	85421 68	85541 170	85655 269	85762 299	85858 318	85919 319
85238 149	85379 136	85384 261	85422 68	85542 330	85657 269	85765 294	85859 318	85920 319
85239 168	85381 164	85384 265	85423 68	85548 96	85659 269	85766 299	85860 318	85921 319
85240 168	85384 205	85384 265	85424 69	85552 144	85661 269	85767 299	85861 318	85922 319
85241 34	85384 205	85384 267	85425 69	85561 122	85663 271	85768 299	85862 318	85923 319
85242 34	85384 205	85384 267	85426 69	85562 123	85665 271	85769 299	85863 318	85924 319
85246 209	85384 207	85385 205	85427 69	85563 123	85666 271	85770 299	85864 318	85925 319
85247 209	85384 207	85385 205	85428 69	85566 164	85667 271	85771 299	85865 318	85926 319
85248 209	85384 207	85385 207	85429 69	85568 239	85668 273	85772 299	85866 318	85927 319
85249 209	85384 209	85385 207	85430 69	85569 95	85669 273	85773 299	85867 318	85928 320
85250 209	85384 209	85385 209	85431 69	85570 95	85670 273	85774 299	85868 318	85929 320
85251 209	85384 211	85385 209	85435 89	85584 118	85671 273	85775 299	85869 318	85930 320
85252 209	85384 211	85385 211	85436 89	85585 114	85672 263	85776 299	85870 318	85931 320
85253 209	85384 211	85385 211	85441 247	85588 154	85673 263	85777 299	85872 318	85932 320
85254 209	85384 215	85385 215	85443 247	85589 154	85674 263	85778 299	85873 318	85933 320
85255 209	85384 215	85385 215	85445 247	85590 154	85675 263	85779 299	85874 316	85934 320
85256 209	85384 215	85385 225	85446 247	85591 154	85676 263	85780 294	85875 316	85935 320
85257 209	85384 225	85385 225	85447 247	85592 164	85677 263	85780 299	85876 316	85936 320
85258 209	85384 225	85385 225	85448 247	85595 194	85678 263	85781 299	85877 316	85937 320
85259 209	85384 225	85385 225	85449 247	85598 46	85679 263	85782 299	85878 316	85938 320
85260 209	85384 225	85385 227	85450 247	85599 46	85680 265	85783 299	85879 316	85939 320
85261 209	85384 225	85385 227	85451 249	85600 46	85681 265	85784 299	85880 316	85940 320
85262 209	85384 225	85385 227	85452 249	85601 257	85682 265	85785 299	85881 316	85941 320
85263 209	85384 227	85385 227	85453 249	85603 257	85683 265	85786 299	85882 316	85942 320
85264 229	85384 227	85385 229	85454 249	85604 257	85684 267	85787 299	85883 316	85943 320
85265 229	85384 227	85385 229	85455 251	85605 257	85685 267	85788 299	85884 316	85944 320
85266 229	85384 227	85385 231	85456 251	85606 257	85686 267	85789 299	85885 316	85945 320
85267 229	85384 227	85385 231	85457 251	85607 257	85687 267	85790 299	85886 316	85949 321
85268 229	85384 227	85385 231	85458 251	85608 257	85709 225	85791 299	85887 316	85950 321
85269 229	85384 229	85385 231	85459 134	85609 257	85710 241	85793 299	85888 316	85951 321
85270 229	85384 229	85385 235	85460 135	85610 259	85711 241	85795 299	85889 316	85952 321
85271 229	85384 231	85385 235	85461 136	85611 259	85712 301	85796 182	85890 316	85953 321
85272 131	85384 231	85385 241	85462 62	85612 259	85713 301	85797 299	85891 316	85954 321
85273 132	85384 231	85385 241	85463 62	85613 259	85714 301	85799 299	85892 316	85955 321
85274 133	85384 231	85385 243	85464 62	85614 261	85715 301	85802 106	85893 316	85956 321
85275 169	85384 231	85385 243	85465 62	85615 261	85716 301	85803 106	85894 317	85957 321
85276 205	85384 231	85385 245	85466 62	85616 261	85717 301	85804 107	85895 317	85958 321
85308 174	85384 235	85385 245	85467 134	85617 261	85736 294	85805 107	85896 317	85959 321
85309 174	85384 235	85385 249	85468 135	85618 257	85737 294	85806 108	85897 317	85960 321
85313 221	85384 235	85385 249	85469 136	85619 257	85738 294	85807 108	85898 317	85961 321
85324 249	85384 241	85385 251	85470 164	85620 257	85739 294	85808 109	85899 317	85962 321
85325 225	85384 241	85385 251	85473 177	85621 257	85740 294	85809 109	85900 317	85963 321
85332 241	85384 241	85385 255	85476 156	85622 257	85741 294	85810 110	85901 317	85964 321
85337 53	85384 243	85385 255	85484 150	85623 257	85742 294	85811 110	85902 317	85965 321
85338 53	85384 243	85385 259	85486 150	85624 257	85743 294	85812 111	85903 317	85966 321
85339 53	85384 243	85385 259	85488 150	85625 257	85744 294	85813 111	85904 317	85967 321
85340 53	85384 245	85385 261	85512 225	85626 259	85745 294	85821 201	85905 317	85968 321
85343 225	85384 245	85385 261	85513 205	85627 259	85746 294	85826 129	85906 317	85969 70
85346 61	85384 245	85385 265	85520 325	85628 259	85747 294	85828 129	85907 317	85970 70
85347 61	85384 249	85385 265	85522 325	85629 259	85748 294	85834 239	85908 317	85971 70
85348 61	85384 249	85385 267	85523 203	85630 261	85749 294	85835 241	85909 317	85972 70
85349 61	85384 249	85385 267	85524 203	85631 261	85750 294	85836 239	85910 317	85973 70
85355 153	85384 251	85386 241	85525 223	85632 261	85751 294	85837 239	85911 317	85974 70
85356 153	85384 251	85388 223	85526 223	85633 261	85752 294	85838 239	85912 317	85975 70
85357 153	85384 251	85400 190	85527 223	85634 225	85753 294	85839 239	85913 317	85976 70
85358 153	85384 255	85416 68	85528 223	85644 239	85754 294	85840 249	85914 319	85977 96

Cod.	Pag.	Cod.	Pag.	Cod.	Pag.	Cod.	Pag.	Cod.	Pag.	Cod.	Pag.	Cod.	Pag.	Cod.	Pag.
85978	114	86061	322	86151	161	86722	209	86766	287	87004	26	87128	300	87259	225
85979	115	86062	322	86152	161	86722	209	86767	287	87005	25	87150	205	87259	227
85980	115	86063	322	86153	161	86722	211	86768	287	87006	25	87153	188	87259	227
85981	118	86081	205	86154	161	86722	211	86769	287	87007	26	87155	205	87259	227
85982	119	86082	229	86156	161	86722	211	86770	287	87008	26	87156	146	87259	227
85983	119	86083	227	86162	223	86722	211	86771	287	87009	26	87159	22	87259	227
85984	130	86091	55	86163	155	86722	215	86772	287	87010	26	87166	225	87259	227
85985	130	86093	291	86164	155	86722	215	86773	287	87011	26	87167	225	87259	229
86002	127	86096	190	86165	155	86722	221	86774	287	87012	26	87189	176	87259	229
86004	229	86097	203	86166	155	86722	221	86775	287	87013	177	87193	307	87259	229
86005	229	86100	203	86167	223	86722	225	86776	287	87014	128	87195	201	87259	229
86006	315	86102	203	86169	205	86722	225	86777	287	87015	128	87203	207	87259	231
86007	315	86103	263	86173	17	86722	225	86778	286	87016	181	87204	207	87259	231
86008	315	86104	263	86179	249	86722	225	86779	286	87017	181	87205	207	87259	231
86009	315	86105	263	86189	28	86722	227	86780	286	87018	181	87209	223	87259	231
86011	315	86106	263	86190	28	86722	227	86781	286	87019	181	87210	223	87259	231
86012	315	86107	263	86191	29	86722	227	86782	287	87020	181	87211	223	87259	231
86013	315	86108	263	86192	29	86722	227	86783	287	87021	182	87212	223	87259	235
86014	315	86109	263	86193	25	86722	229	86784	287	87022	182	87213	223	87259	235
86015	315	86110	263	86194	25	86722	229	86785	287	87023	182	87214	223	87259	241
86020	315	86111	265	86195	25	86722	231	86786	286	87024	161	87215	225	87259	241
86021	273	86112	265	86196	25	86722	231	86787	287	87025	161	87216	225	87259	243
86022	273	86113	265	86197	25	86722	231	86788	289	87026	161	87217	227	87259	243
86023	273	86114	265	86198	25	86722	231	86789	290	87027	161	87218	227	87259	245
86024	273	86115	267	86199	26	86722	235	86790	291	87028	161	87219	229	87259	245
86025	269	86116	267	86206	190	86722	235	86791	289	87029	161	87220	229	87259	249
86026	269	86117	267	86215	142	86722	241	86792	292	87030	161	87221	223	87259	249
86027	269	86118	267	86218	314	86722	241	86793	292	87031	161	87222	223	87259	251
86028	269	86119	304	86219	313	86722	243	86794	288	87032	161	87223	223	87259	251
86029	269	86120	263	86220	311	86722	243	86795	288	87033	161	87224	223	87259	255
86030	269	86121	304	86221	310	86722	245	86796	203	87034	161	87225	225	87259	255
86031	269	86122	263	86231	188	86722	245	86797	284	87035	161	87226	225	87259	259
86032	269	86123	304	86691	50	86722	249	86797	290	87036	161	87227	227	87259	259
86033	271	86124	263	86692	50	86722	249	86797	300	87037	161	87228	227	87259	261
86034	271	86125	304	86693	44	86722	251	86805	257	87038	161	87229	229	87259	261
86035	271	86126	263	86695	123	86722	251	86815	259	87039	161	87230	229	87259	265
86036	271	86127	304	86696	122	86722	255	86980	138	87040	161	87235	219	87259	265
86037	322	86128	263	86697	209	86722	255	86981	138	87041	161	87237	219	87259	267
86038	322	86129	304	86698	205	86726	150	86982	138	87042	161	87248	207	87259	267
86039	322	86130	263	86699	249	86727	100	86983	138	87043	161	87252	145	87264	55
86040	322	86131	304	86707	164	86728	100	86984	138	87044	148	87254	175	87270	225
86041	322	86132	263	86708	164	86729	190	86985	138	87055	203	87255	175	87270	225
86042	322	86133	304	86710	46	86730	190	86986	138	87079	172	87256	175	87270	225
86043	322	86134	263	86711	46	86738	257	86987	138	87080	172	87257	221	87270	227
86044	322	86135	304	86712	46	86750	286	86988	138	87081	170	87258	221	87270	227
86045	322	86136	265	86717	131	86751	286	86989	138	87082	170	87259	205	87270	227
86046	322	86137	304	86718	132	86752	286	86990	138	87083	170	87259	205	87270	231
86047	322	86138	265	86719	133	86753	286	86991	138	87084	170	87259	207	87270	231
86048	322	86139	304	86722	201	86754	286	86992	139	87085	170	87259	207	87270	231
86049	322	86140	265	86722	201	86755	286	86993	139	87086	170	87259	209	87271	201
86050	322	86141	304	86722	205	86756	286	86994	139	87112	239	87259	209	87271	201
86052	322	86142	265	86722	205	86757	286	86995	139	87113	239	87259	211	87271	205
86053	322	86143	304	86722	205	86758	286	86996	139	87114	203	87259	211	87271	205
86054	322	86144	267	86722	205	86759	286	86997	139	87115	203	87259	215	87271	207
86055	322	86145	304	86722	207	86760	286	86998	138	87116	203	87259	215	87271	207
86056	322	86146	267	86722	207	86761	286	86999	138	87117	203	87259	225	87271	209
86057	322	86147	304	86722	207	86762	286	87000	26	87118	155	87259	225	87271	209
86058	322	86148	267	86722	207	86763	286	87001	26	87119	155	87259	225	87271	211
86059	322	86149	304	86722	209	86764	287	87002	26	87120	155	87259	225	87271	211
86060	322	86150	267	86722	209	86765	287	87003	26	87121	155	87259	225	87271	221

Cod.	Pag.	Cod.	Pag.	Cod.	Pag.	Cod.	Pag.	Cod.	Pag.	Cod.	Pag.	Cod.	Pag.	Cod.	Pag.
87284	307	87347	319	87469	217	87528	215	87530	235	87531	255	87541	205	87542	209
87285	307	87348	319	87470	217	87528	221	87530	235	87531	265	87541	207	87542	211
87286	307	87351	166	87475	217	87528	221	87530	241	87531	265	87541	207	87542	211
87287	307	87355	125	87476	217	87528	221	87530	241	87531	267	87541	209	87542	211
87288	307	87357	73	87481	217	87528	225	87530	243	87531	267	87541	209	87542	215
87289	307	87358	73	87482	217	87528	225	87530	243	87540	205	87541	211	87542	215
87290	307	87359	73	87487	217	87528	225	87530	245	87540	205	87541	211	87542	215
87291	307	87360	73	87488	217	87528	225	87530	245	87540	207	87541	215	87542	225
87292	307	87361	166	87493	237	87528	227	87530	249	87540	207	87541	215	87542	225
87293	307	87362	219	87494	237	87528	227	87530	249	87540	209	87541	225	87542	225
87294	307	87363	219	87499	237	87528	227	87530	251	87540	209	87541	225	87542	225
87295	307	87364	103	87500	237	87528	227	87530	251	87540	211	87541	225	87542	225
87296	306	87365	103	87505	237	87528	229	87530	255	87540	211	87541	225	87542	225
87297	306	87366	103	87506	237	87528	229	87530	255	87540	215	87541	225	87542	227
87298	306	87367	103	87511	237	87528	231	87530	265	87540	215	87541	225	87542	227
87299	306	87377	171	87512	237	87528	231	87530	265	87540	225	87541	227	87542	227
87300	306	87378	171	87520	104	87528	231	87530	267	87540	225	87541	227	87542	227
87301	306	87379	62	87521	104	87528	231	87530	267	87540	225	87541	227	87542	227
87302	306	87380	37	87522	104	87528	235	87531	205	87540	225	87541	227	87542	227
87303	306	87381	37	87523	104	87528	235	87531	205	87540	225	87541	227	87542	229
87304	306	87382	37	87526	249	87528	241	87531	205	87540	225	87541	227	87542	229
87305	306	87384	62	87528	201	87528	241	87531	207	87540	227	87541	229	87542	231
87306	306	87385	63	87528	201	87528	243	87531	207	87540	227	87541	229	87542	231
87307	306	87388	63	87528	201	87528	243	87531	207	87540	227	87541	229	87542	231
87308	306	87390	63	87528	205	87528	245	87531	209	87540	227	87541	229	87542	231
87309	306	87394	223	87528	205	87528	245	87531	209	87540	227	87541	231	87542	231
87310	140	87395	223	87528	205	87528	249	87531	215	87540	227	87541	231	87542	231
87311	140	87414	139	87528	205	87528	249	87531	215	87540	229	87541	231	87542	235
87315	298	87415	139	87528	205	87528	251	87531	215	87540	229	87541	231	87542	235
87316	296	87416	247	87528	205	87528	251	87531	225	87540	229	87541	231	87542	235
87317	296	87417	247	87528	205	87528	255	87531	225	87540	229	87541	231	87542	241
87318	297	87422	239	87528	205	87528	255	87531	225	87540	231	87541	235	87542	241
87319	297	87423	239	87528	205	87529	201	87531	227	87540	231	87541	235	87542	241
87320	299	87424	170	87528	207	87529	201	87531	227	87540	231	87541	241	87542	243
87321	299	87425	233	87528	207	87529	205	87531	227	87540	231	87541	241	87542	243
87322	302	87426	233	87528	207	87529	205	87531	229	87540	231	87541	243	87542	243
87323	302	87427	235	87528	207	87529	207	87531	229	87540	231	87541	243	87542	245
87324	303	87429	239	87528	207	87529	207	87531	231	87540	235	87541	245	87542	245
87325	303	87430	239	87528	207	87529	209	87531	231	87540	235	87541	245	87542	245
87326	304	87431	239	87528	207	87529	209	87531	231	87540	241	87541	249	87542	249
87327	304	87432	239	87528	207	87529	211	87531	235	87540	241	87541	249	87542	249
87328	305	87433	225	87528	207	87529	211	87531	235	87540	243	87541	251	87542	249
87329	305	87434	225	87528	209	87529	221	87531	235	87540	243	87541	251	87542	251
87330	306	87435	225	87528	209	87529	221	87531	241	87540	245	87541	255	87542	251
87331	306	87436	205	87528	209	87530	205	87531	241	87540	245	87541	255	87542	251
87332	307	87437	205	87528	209	87530	205	87531	241	87540	249	87541	259	87542	255
87333	307	87438	205	87528	209	87530	207	87531	243	87540	249	87541	259	87542	255
87334	308	87439	205	87528	209	87530	207	87531	243	87540	251	87541	261	87542	255
87335	317	87440	205	87528	209	87530	209	87531	243	87540	251	87541	261	87542	259
87336	317	87442	223	87528	209	87530	209	87531	245	87540	255	87541	265	87542	259
87337	316	87443	306	87528	211	87530	215	87531	245	87540	255	87541	265	87542	261
87338	316	87445	307	87528	211	87530	215	87531	245	87540	259	87541	267	87542	261
87339	318	87450	241	87528	211	87530	225	87531	249	87540	259	87541	267	87542	265
87340	318	87456	225	87528	211	87530	225	87531	249	87540	261	87542	205	87542	265
87341	320	87457	203	87528	211	87530	227	87531	249	87540	261	87542	205	87542	267
87342	320	87458	203	87528	211	87530	227	87531	251	87540	265	87542	205	87542	267
87343	321	87465	62	87528	211	87530	229	87531	251	87540	265	87542	207	87543	205
87344	321	87466	62	87528	211	87530	229	87531	251	87540	267	87542	207	87543	205
87345	322	87467	62	87528	211	87530	231	87531	255	87540	267	87542	207	87543	207
87346	322	87468	62	87528	215	87530	231	87531	255	87541	205	87542	209	87543	207

Cod.	Pag.	Cod.	Pag.	Cod.	Pag.	Cod.	Pag.	Cod.	Pag.	Cod.	Pag.	Cod.	Pag.	Cod.	Pag.
87544	229	87545	249	87569	201	87660	251	87667	231	87719	225	87779	251	87840	290
87544	229	87545	249	87569	201	87660	255	87668	205	87720	225	87780	251	87841	290
87544	231	87545	251	87569	205	87661	205	87669	205	87721	225	87781	290	87842	290
87544	231	87545	251	87569	205	87661	207	87670	205	87722	225	87782	290	87843	290
87544	231	87545	255	87569	207	87661	215	87671	205	87723	227	87783	290	87844	290
87544	231	87545	255	87569	207	87661	225	87672	205	87724	227	87784	290	87845	290
87544	235	87545	271	87569	209	87661	227	87673	205	87725	227	87785	290	87846	290
87544	235	87545	271	87569	209	87661	231	87673	211	87726	227	87786	290	87847	290
87544	241	87545	271	87569	211	87661	235	87674	205	87727	227	87787	290	87848	290
87544	241	87545	271	87569	211	87661	241	87674	211	87728	227	87788	290	87849	290
87544	243	87545	273	87569	221	87661	243	87675	205	87729	227	87789	290	87850	290
87544	243	87545	273	87569	221	87661	245	87675	211	87730	227	87790	290	87851	290
87544	245	87545	273	87570	225	87661	249	87676	205	87731	227	87791	290	87852	290
87544	245	87545	273	87570	225	87661	251	87676	211	87732	227	87792	290	87853	290
87544	249	87555	201	87570	225	87661	255	87677	205	87733	227	87793	290	87854	290
87544	249	87555	201	87570	227	87662	201	87677	211	87734	227	87794	290	87855	290
87544	251	87555	205	87570	227	87662	205	87678	205	87735	227	87795	290	87856	290
87544	251	87555	205	87570	227	87662	207	87678	211	87736	227	87796	290	87857	290
87544	255	87555	207	87570	231	87662	211	87679	205	87737	227	87797	290	87858	290
87544	255	87555	207	87570	231	87662	221	87680	205	87738	227	87798	290	87859	290
87544	271	87555	209	87570	231	87663	205	87681	205	87739	227	87799	290	87860	290
87544	271	87555	209	87571	225	87663	207	87681	211	87740	227	87800	290	87861	290
87544	271	87555	211	87571	225	87663	211	87682	207	87741	227	87801	290	87862	290
87544	271	87555	211	87571	227	87663	215	87683	207	87742	227	87802	290	87863	290
87544	273	87555	221	87571	227	87663	225	87684	207	87743	227	87803	290	87864	324
87544	273	87555	221	87571	231	87663	225	87685	207	87744	227	87804	290	87865	290
87544	273	87557	201	87571	231	87663	227	87686	207	87745	227	87805	290	87866	324
87544	273	87557	201	87572	203	87663	227	87687	207	87746	227	87806	290	87867	290
87545	205	87557	205	87573	203	87663	231	87688	207	87747	227	87807	290	87868	324
87545	205	87557	205	87583	259	87663	231	87689	207	87748	227	87808	290	87869	290
87545	207	87557	207	87584	241	87663	235	87690	207	87749	233	87809	290	87870	296
87545	207	87557	207	87589	66	87663	241	87691	207	87750	233	87810	290	87871	296
87545	209	87557	209	87590	66	87663	243	87692	207	87751	235	87811	45	87872	296
87545	209	87557	209	87591	66	87663	245	87693	207	87752	30	87812	45	87873	296
87545	211	87557	211	87592	66	87663	249	87694	207	87753	249	87813	45	87874	296
87545	211	87557	211	87596	241	87663	251	87695	207	87754	249	87815	103	87875	296
87545	215	87557	221	87599	229	87663	255	87696	207	87755	249	87816	103	87876	296
87545	215	87557	221	87601	243	87664	205	87697	207	87756	249	87817	103	87877	296
87545	225	87559	225	87626	251	87664	207	87698	207	87757	249	87818	103	87878	296
87545	225	87559	225	87641	273	87664	215	87699	207	87758	148	87819	103	87879	296
87545	225	87559	225	87652	100	87664	225	87700	207	87759	148	87820	103	87880	296
87545	225	87559	227	87654	223	87664	227	87701	225	87760	148	87821	103	87881	296
87545	227	87559	227	87655	223	87664	231	87702	225	87761	148	87822	103	87882	296
87545	227	87559	227	87657	169	87664	235	87702	231	87762	249	87823	103	87883	296
87545	227	87559	231	87658	169	87664	241	87703	225	87763	249	87824	103	87884	296
87545	227	87559	231	87660	205	87664	243	87704	225	87764	249	87825	103	87885	296
87545	229	87559	231	87660	207	87664	245	87705	225	87765	249	87826	103	87886	296
87545	229	87560	225	87660	211	87664	249	87706	225	87766	249	87827	139	87887	296
87545	231	87560	225	87660	215	87664	251	87707	225	87767	249	87828	139	87888	296
87545	231	87560	227	87660	225	87664	255	87708	225	87768	249	87829	139	87889	296
87545	231	87560	227	87660	225	87665	201	87709	225	87769	251	87830	139	87890	296
87545	231	87560	231	87660	227	87665	205	87709	231	87770	251	87831	290	87891	296
87545	235	87560	231	87660	227	87665	207	87710	225	87771	251	87832	290	87892	296
87545	235	87562	144	87660	231	87665	211	87711	225	87772	251	87833	290	87893	296
87545	241	87563	144	87660	231	87665	221	87712	225	87773	251	87834	290	87894	296
87545	241	87564	144	87660	235	87666	225	87713	225	87774	251	87835	290	87895	296
87545	243	87565	144	87660	241	87666	227	87714	225	87775	251	87836	290	87896	296
87545	243	87566	144	87660	243	87666	231	87715	225	87776	251	87837	290	87897	296
87545	245	87567	144	87660	245	87667	225	87716	225	87777	251	87838	290	87898	296
87545	245	87568	144	87660	249	87667	227	87717	225	87778	251	87839	290	87899	296

Cod.	Pag.	Cod.	Pag.	Cod.	Pag.	Cod.	Pag.	Cod.	Pag.	Cod.	Pag.	Cod.	Pag.	Cod.	Pag.
87960	298	88022	317	88142	316	88202	318	88262	321	88371	235	88374	225	88377	245
87961	298	88023	317	88143	316	88203	318	88263	321	88371	241	88374	225	88377	249
87962	298	88024	318	88144	316	88204	318	88264	321	88371	243	88374	227	88377	251
87963	298	88025	318	88145	316	88205	318	88265	321	88371	245	88374	227	88377	255
87964	298	88026	318	88146	316	88206	318	88266	321	88371	249	88374	231	88377	271
87965	298	88027	318	88147	316	88207	318	88267	321	88371	251	88374	231	88377	271
87966	298	88028	318	88148	316	88208	318	88268	321	88371	255	88374	235	88377	273
87967	298	88029	318	88149	316	88209	318	88269	321	88371	259	88374	241	88377	273
87968	298	88030	318	88150	316	88210	318	88270	321	88371	261	88374	243	88378	205
87969	298	88031	318	88151	316	88211	318	88271	321	88371	265	88374	245	88378	207
87970	298	88032	319	88152	316	88212	318	88272	321	88371	267	88374	249	88378	211
87971	299	88033	319	88153	316	88213	318	88273	321	88372	205	88374	251	88378	215
87972	299	88034	319	88154	316	88214	318	88274	321	88372	207	88374	255	88378	225
87973	299	88035	319	88155	316	88215	318	88275	321	88372	211	88374	259	88378	225
87974	299	88036	319	88156	316	88216	319	88276	321	88372	215	88374	261	88378	227
87975	299	88037	319	88157	316	88217	319	88277	321	88372	225	88374	265	88378	227
87976	299	88038	319	88158	316	88218	319	88278	321	88372	225	88374	267	88378	231
87977	299	88039	319	88159	316	88219	319	88279	321	88372	225	88375	205	88378	231
87978	299	88040	320	88160	316	88220	319	88280	321	88372	227	88375	207	88378	235
87979	299	88041	320	88161	316	88221	319	88281	321	88372	227	88375	215	88378	241
87980	299	88042	320	88162	316	88222	319	88282	321	88372	227	88375	225	88378	243
87981	299	88043	320	88163	316	88223	319	88283	321	88372	231	88375	227	88378	245
87982	299	88044	320	88164	316	88224	319	88284	321	88372	231	88375	231	88378	249
87983	299	88045	320	88165	316	88225	319	88285	322	88372	231	88375	235	88378	251
87984	299	88046	320	88166	317	88226	319	88286	322	88372	235	88375	241	88378	255
87985	299	88047	320	88167	317	88227	319	88287	322	88372	241	88375	243	88378	271
87986	299	88048	321	88168	317	88228	319	88288	322	88372	243	88375	245	88378	271
87987	299	88049	321	88169	317	88229	319	88289	322	88372	245	88375	249	88378	273
87988	299	88050	321	88170	317	88230	319	88290	322	88372	249	88375	251	88378	273
87989	299	88051	321	88171	317	88231	319	88291	322	88372	251	88375	255	88379	155
87990	299	88052	321	88172	317	88232	319	88292	322	88372	255	88375	265	88393	249
87991	299	88053	321	88173	317	88233	319	88293	322	88372	259	88375	267	88399	253
87992	299	88054	321	88174	317	88234	319	88294	322	88372	261	88376	205	88400	253
87993	299	88055	321	88175	317	88235	320	88295	322	88372	265	88376	207	88401	255
87994	299	88056	322	88176	317	88236	320	88296	322	88372	267	88376	215	88428	247
87995	299	88057	322	88177	317	88237	320	88297	322	88373	205	88376	225	88437	225
87996	299	88058	322	88178	317	88238	320	88298	322	88373	207	88376	227	88440	205
87997	299	88059	322	88179	317	88239	320	88299	322	88373	211	88376	231	88441	205
87998	299	88060	322	88180	317	88240	320	88300	322	88373	215	88376	235	88442	205
87999	299	88061	322	88181	317	88241	320	88301	322	88373	225	88376	241	88443	205
88000	299	88062	322	88182	317	88242	320	88302	322	88373	225	88376	243	88444	205
88001	299	88063	322	88183	317	88243	320	88319	225	88373	227	88376	245	88445	205
88002	299	88066	290	88184	317	88244	320	88332	241	88373	227	88376	249	88446	205
88003	299	88067	290	88185	317	88245	320	88335	243	88373	231	88376	251	88447	205
88004	299	88068	290	88186	317	88246	320	88337	40	88373	231	88376	255	88448	205
88005	299	88069	290	88187	317	88247	320	88348	241	88373	235	88376	265	88449	205
88008	316	88070	290	88188	317	88248	320	88352	223	88373	241	88376	267	88450	205
88009	316	88071	290	88189	317	88249	320	88371	205	88373	243	88377	205	88451	205
88010	316	88090	209	88190	317	88250	320	88371	207	88373	245	88377	207	88452	205
88011	316	88091	209	88191	318	88251	320	88371	211	88373	249	88377	211	88453	205
88012	316	88101	205	88192	318	88252	320	88371	215	88373	251	88377	215	88454	205
88013	316	88121	205	88193	318	88253	320	88371	225	88373	255	88377	225	88455	205
88014	316	88124	170	88194	318	88254	320	88371	225	88373	259	88377	225	88456	205
88015	316	88127	171	88195	318	88255	320	88371	225	88373	261	88377	227	88457	205
88016	317	88128	171	88196	318	88256	320	88371	227	88373	265	88377	227	88458	205
88017	317	88129	170	88197	318	88257	320	88371	227	88373	267	88377	231	88459	205
88018	317	88130	170	88198	318	88258	320	88371	227	88374	205	88377	231	88459	211
88019	317	88131	170	88199	318	88259	320	88371	231	88374	207	88377	235	88460	205
88020	317	88136	265	88200	318	88260	321	88371	231	88374	211	88377	241	88461	205
88021	317	88141	316	88201	318	88261	321	88371	231	88374	215	88377	243	88461	211

Cod.	Pag.	Cod.	Pag.	Cod.	Pag.	Cod.	Pag.	Cod.	Pag.	Cod.	Pag.	Cod.	Pag.	Cod.	Pag.
88520	227	88580	249	88647	255	88777	308	88953	174	89180	231	89252	229	89316	307
88521	227	88581	249	88649	235	88778	308	89037	174	89181	231	89253	229	89317	305
88522	227	88582	249	88650	255	88779	308	89049	175	89182	231	89254	229	89318	308
88523	227	88583	249	88651	255	88780	308	89074	146	89183	231	89255	229	89319	306
88524	227	88584	249	88661	223	88781	308	89099	221	89184	231	89256	229	89320	308
88525	227	88585	249	88668	239	88782	308	89101	49	89185	231	89257	229	89321	306
88526	227	88586	249	88673	249	88783	308	89102	49	89186	231	89258	229	89322	316
88527	227	88587	249	88678	146	88784	308	89103	49	89187	231	89259	259	89323	307
88528	227	88588	249	88679	31	88785	308	89105	72	89188	231	89260	259	89324	316
88529	227	88590	247	88680	73	88786	308	89107	72	89189	231	89261	259	89325	307
88530	227	88592	251	88681	73	88787	308	89109	72	89190	231	89262	259	89326	316
88531	227	88593	251	88682	73	88788	308	89110	72	89191	231	89263	259	89327	308
88532	227	88594	251	88683	73	88789	308	89111	72	89192	231	89264	261	89328	317
88533	227	88595	251	88684	213	88790	308	89112	72	89193	231	89265	261	89329	317
88534	227	88596	251	88685	213	88791	308	89113	72	89194	231	89266	261	89330	317
88535	227	88597	251	88686	213	88792	308	89114	72	89195	231	89267	261	89331	318
88536	227	88598	251	88687	213	88793	308	89117	205	89196	231	89268	261	89332	318
88537	227	88599	251	88688	213	88808	207	89129	71	89197	231	89269	261	89333	318
88538	227	88600	251	88689	213	88817	219	89131	71	89198	231	89270	265	89334	319
88539	227	88601	251	88690	213	88818	219	89133	71	89199	231	89271	265	89335	319
88540	227	88602	251	88691	213	88819	17	89134	71	89200	231	89272	265	89336	319
88541	227	88603	251	88692	215	88821	53	89135	71	89201	231	89273	265	89337	320
88542	227	88604	251	88693	215	88822	53	89136	71	89202	231	89274	265	89338	320
88543	227	88605	251	88694	215	88823	53	89137	71	89203	231	89275	265	89339	320
88544	227	88606	251	88695	215	88824	53	89138	71	89204	231	89276	265	89340	321
88545	227	88607	259	88696	215	88825	17	89141	241	89205	231	89277	265	89341	321
88546	227	88608	259	88697	215	88826	17	89142	245	89206	231	89278	265	89342	321
88547	227	88609	259	88698	33	88827	17	89143	245	89207	231	89279	267	89345	203
88548	227	88610	259	88699	146	88828	17	89144	245	89208	231	89280	267	89346	203
88549	227	88611	261	88700	33	88829	17	89145	245	89209	231	89281	267	89347	203
88550	227	88612	261	88703	194	88830	17	89146	245	89214	271	89282	267	89348	203
88551	235	88613	261	88704	37	88831	17	89147	47	89220	259	89283	267	89349	203
88552	221	88614	261	88706	271	88832	17	89148	47	89222	211	89284	267	89350	203
88553	221	88615	265	88707	271	88833	17	89149	47	89223	231	89285	267	89351	203
88554	221	88616	265	88708	271	88834	17	89150	47	89224	231	89286	267	89352	203
88555	241	88617	265	88709	271	88840	288	89151	47	89225	231	89287	267	89353	203
88556	241	88618	265	88710	273	88841	288	89152	47	89226	231	89288	296	89354	203
88557	241	88619	265	88711	273	88842	289	89153	47	89227	245	89290	296	89355	203
88558	241	88620	265	88712	273	88843	289	89157	245	89228	245	89292	297	89356	203
88559	241	88621	267	88713	273	88844	290	89158	245	89229	209	89294	297	89357	203
88560	241	88622	267	88720	225	88845	290	89159	245	89230	209	89295	296	89358	203
88561	241	88623	267	88726	257	88846	290	89160	245	89231	209	89296	298	89359	203
88562	241	88624	267	88744	169	88847	290	89161	245	89232	209	89297	296	89360	203
88563	241	88625	267	88745	207	88848	291	89162	245	89233	209	89298	298	89361	203
88564	243	88626	267	88760	308	88849	291	89163	245	89234	209	89299	297	89362	203
88565	243	88632	205	88762	308	88850	292	89164	245	89235	209	89300	299	89363	203
88566	243	88633	233	88763	308	88851	292	89165	245	89236	209	89301	297	89364	203
88567	243	88634	233	88764	308	88852	293	89166	245	89237	209	89302	299	89365	203
88568	243	88635	233	88765	308	88853	293	89167	211	89238	209	89303	298	89366	203
88569	243	88636	233	88766	308	88854	294	89168	211	89239	209	89304	302	89367	203
88570	243	88637	235	88767	308	88855	294	89170	211	89240	209	89305	298	89368	203
88571	243	88638	235	88768	205	88856	310	89171	211	89241	209	89306	303	89369	203
88572	243	88639	253	88769	308	88857	311	89172	211	89242	209	89307	299	89370	203
88573	243	88640	253	88770	308	88858	313	89173	211	89243	209	89308	304	89371	203
88574	249	88641	255	88771	308	88859	314	89174	211	89244	209	89309	299	89372	203
88575	249	88642	253	88772	308	88860	315	89175	211	89245	229	89310	305	89373	203
88576	249	88643	253	88773	308	88861	205	89176	211	89247	229	89311	302	89374	203
88577	249	88644	255	88774	308	88873	223	89177	211	89249	229	89312	306	89375	203
88578	249	88645	253	88775	308	88880	249	89178	211	89250	229	89313	303	89376	203
88579	249	88646	253	88776	308	88887	329	89179	211	89251	229	89315	304	89377	203

Cod.	Pag.	Cod.	Pag.	Cod.	Pag.	Cod.	Pag.	Cod.	Pag.	Cod.	Pag.	Cod.	Pag.	Cod.	Pag.
89435	205	89488	223	89550	207	89610	209	89670	223	89729	225	89787	225	89847	227
89436	205	89489	211	89551	207	89611	209	89671	223	89730	225	89788	225	89848	227
89437	205	89490	223	89552	207	89612	209	89672	223	89731	225	89789	225	89849	227
89438	205	89491	211	89553	207	89613	209	89673	223	89732	225	89790	225	89850	227
89439	205	89492	223	89554	207	89614	209	89674	223	89733	225	89791	225	89851	227
89440	205	89493	211	89555	207	89615	209	89675	223	89734	225	89792	225	89852	227
89440	211	89494	223	89556	207	89616	209	89676	223	89735	225	89793	225	89853	227
89441	205	89495	215	89557	207	89617	209	89677	223	89736	225	89794	225	89854	227
89442	205	89496	215	89558	207	89618	199	89678	223	89737	225	89795	225	89855	227
89442	211	89497	215	89559	207	89619	199	89679	223	89738	225	89796	225	89856	227
89443	205	89498	215	89560	207	89620	199	89680	223	89739	225	89797	225	89857	227
89444	205	89499	215	89561	207	89621	199	89681	223	89740	225	89798	225	89858	227
89444	211	89500	215	89562	207	89622	199	89682	223	89741	225	89799	225	89859	227
89445	205	89503	207	89563	207	89623	199	89683	223	89742	225	89800	225	89860	227
89446	205	89504	207	89564	207	89624	201	89684	223	89743	225	89801	225	89861	227
89447	205	89505	207	89565	207	89625	201	89685	223	89744	225	89802	225	89862	227
89448	205	89506	207	89566	207	89626	201	89686	223	89745	225	89803	225	89863	227
89449	205	89507	207	89567	207	89627	201	89687	223	89746	225	89804	225	89864	227
89450	205	89508	207	89568	207	89628	223	89688	223	89747	225	89805	225	89865	227
89451	205	89509	207	89569	207	89629	223	89689	223	89748	225	89806	231	89866	227
89452	205	89510	207	89570	207	89630	223	89690	223	89749	225	89807	231	89867	227
89453	205	89511	207	89571	207	89631	223	89691	223	89750	225	89808	231	89868	227
89454	205	89512	207	89572	207	89632	223	89692	223	89751	225	89809	231	89869	227
89455	205	89513	207	89573	209	89633	223	89693	223	89752	225	89810	231	89870	227
89456	205	89514	207	89574	209	89634	223	89694	223	89753	225	89811	231	89871	227
89457	205	89515	207	89575	209	89635	223	89695	223	89754	225	89812	231	89872	227
89458	205	89516	207	89576	209	89636	223	89696	223	89755	225	89813	231	89873	227
89458	211	89517	207	89577	209	89637	223	89697	223	89756	225	89814	231	89874	227
89459	205	89518	207	89578	209	89638	223	89698	223	89757	225	89815	231	89875	227
89460	205	89519	207	89579	209	89639	223	89699	233	89758	225	89816	231	89876	227
89460	211	89520	207	89580	209	89640	223	89700	233	89758	231	89817	231	89877	227
89461	205	89521	207	89581	209	89641	223	89701	233	89759	225	89818	231	89878	227
89462	205	89522	207	89582	209	89642	223	89702	233	89760	225	89819	231	89879	227
89462	211	89523	207	89583	209	89643	223	89703	233	89761	225	89820	231	89880	227
89463	205	89524	207	89584	209	89644	223	89704	233	89762	225	89821	231	89881	227
89464	205	89525	207	89585	209	89645	223	89705	233	89763	225	89822	231	89882	227
89465	205	89526	207	89586	209	89646	223	89706	233	89764	225	89823	231	89883	227
89466	205	89527	207	89587	209	89647	223	89707	225	89765	225	89824	231	89884	227
89467	205	89528	207	89588	209	89648	223	89708	225	89766	225	89825	231	89885	227
89468	205	89529	207	89589	209	89649	223	89709	225	89767	225	89826	231	89886	227
89469	205	89530	207	89590	209	89650	223	89710	225	89768	225	89827	231	89887	227
89470	205	89531	207	89591	209	89651	223	89711	225	89769	225	89828	231	89888	227
89471	205	89532	207	89592	209	89652	223	89712	225	89770	225	89829	231	89889	227
89471	211	89533	207	89593	209	89653	223	89713	225	89771	225	89830	231	89890	227
89472	211	89534	207	89594	209	89654	223	89714	225	89772	225	89831	231	89891	227
89473	211	89535	207	89595	209	89655	223	89715	225	89773	225	89832	231	89892	227
89474	223	89536	207	89596	209	89656	223	89716	225	89774	225	89833	231	89893	227
89475	211	89537	207	89597	209	89657	223	89717	225	89775	225	89834	231	89894	227
89476	223	89538	207	89598	209	89658	223	89718	225	89776	225	89835	231	89895	227
89477	211	89539	207	89599	209	89659	223	89719	225	89777	225	89836	231	89896	227
89478	223	89540	207	89600	209	89660	223	89720	225	89778	225	89837	231	89897	227
89479	211	89541	207	89601	209	89661	223	89721	225	89779	225	89838	231	89898	227
89480	211	89542	207	89602	209	89662	223	89722	225	89780	225	89839	231	89899	227
89481	223	89543	207	89603	209	89663	223	89723	225	89781	225	89840	235	89900	227
89482	211	89544	207	89604	209	89664	223	89724	225	89782	225	89841	235	89901	227
89483	223	89545	207	89605	209	89665	223	89725	225	89783	225	89842	235	89902	227
89484	211	89546	207	89606	209	89666	223	89725	231	89784	225	89843	235	89903	227
89485	223	89547	207	89607	209	89667	223	89726	225	89785	225	89844	235	89904	227
89486	211	89548	207	89608	209	89668	223	89727	225	89785	231	89845	235	89905	227
89487	211	89549	207	89609	209	89669	223	89728	225	89786	225	89846	227	89906	227

Cod.	Pag.	Cod.	Pag.	Cod.	Pag.	Cod.	Pag.	Cod.	Pag.	Cod.	Pag.	Cod.	Pag.	Cod.	Pag.
90635	158	90708	233	90768	253	90863	74	90941	81	91001	88	91098	306	91158	307
90636	158	90709	233	90769	253	90864	74	90942	81	91002	88	91099	306	91159	307
90647	51	90710	233	90770	253	90865	74	90943	81	91003	88	91100	306	91160	307
90648	51	90711	233	90771	253	90866	74	90944	81	91004	88	91101	306	91161	307
90649	51	90712	233	90772	253	90867	75	90945	81	91008	157	91102	306	91169	149
90650	51	90713	233	90773	253	90868	75	90946	81	91015	217	91103	306	91175	157
90651	51	90714	233	90774	255	90869	75	90947	81	91016	217	91104	306	91182	185
90652	51	90715	233	90775	255	90870	75	90948	81	91017	217	91105	306	91192	213
90653	51	90716	233	90776	255	90871	75	90949	82	91018	217	91106	306	91193	213
90654	51	90717	233	90777	255	90872	75	90950	82	91019	217	91107	306	91194	213
90657	51	90718	233	90778	255	90873	75	90951	82	91020	217	91108	306	91195	213
90658	51	90719	233	90779	255	90874	75	90952	82	91021	217	91109	306	91196	233
90659	51	90720	233	90780	255	90875	76	90953	82	91022	217	91110	306	91197	233
90660	51	90721	233	90781	255	90876	76	90954	82	91023	237	91111	306	91198	233
90661	51	90722	233	90782	255	90877	76	90955	82	91024	237	91112	306	91199	233
90662	51	90723	233	90783	255	90878	76	90956	82	91025	237	91113	306	91200	253
90663	51	90724	233	90784	255	90879	76	90957	83	91026	237	91114	306	91201	253
90664	51	90725	233	90785	255	90880	76	90958	83	91027	237	91115	306	91202	253
90665	213	90726	233	90786	255	90881	76	90959	83	91028	237	91116	306	91203	253
90666	213	90727	233	90787	255	90882	76	90960	83	91029	237	91117	306	91204	213
90667	213	90728	233	90788	255	90885	173	90961	83	91030	237	91118	306	91205	213
90668	213	90729	233	90789	255	90886	173	90962	83	91036	15	91119	306	91206	213
90669	213	90730	233	90790	255	90898	100	90963	83	91037	15	91120	306	91207	213
90670	213	90731	233	90791	255	90899	100	90964	83	91054	193	91121	306	91208	233
90671	213	90732	235	90797	286	90900	100	90965	84	91062	305	91122	306	91209	233
90672	213	90733	235	90798	285	90901	100	90966	84	91063	305	91123	306	91210	233
90673	213	90734	235	90799	285	90902	100	90967	84	91064	305	91124	306	91211	233
90674	213	90735	235	90800	286	90903	100	90968	84	91065	305	91125	306	91212	253
90675	213	90736	235	90801	287	90909	77	90969	84	91066	305	91126	307	91213	253
90676	213	90737	235	90802	287	90910	77	90970	84	91067	305	91127	307	91214	253
90677	213	90738	235	90803	17	90911	77	90971	84	91068	305	91128	307	91215	253
90678	213	90739	235	90804	17	90912	77	90972	84	91069	305	91129	307	91216	215
90679	213	90740	235	90805	17	90913	77	90973	85	91070	305	91130	307	91217	215
90680	213	90741	235	90810	18	90914	77	90974	85	91071	305	91131	307	91218	235
90681	213	90742	235	90811	18	90915	77	90975	85	91072	305	91132	307	91219	235
90682	213	90743	235	90812	18	90916	77	90976	85	91073	305	91133	307	91220	255
90683	213	90744	235	90813	18	90917	78	90977	85	91074	305	91134	307	91221	255
90684	213	90745	235	90814	18	90918	78	90978	85	91075	305	91135	307	91222	215
90685	213	90746	235	90815	18	90919	78	90979	85	91076	305	91136	307	91223	215
90686	213	90747	235	90816	18	90920	78	90980	85	91077	305	91137	307	91224	235
90687	213	90748	235	90817	18	90921	78	90981	86	91078	305	91138	307	91225	235
90688	213	90749	235	90818	18	90922	78	90982	86	91079	305	91139	307	91226	255
90689	215	90750	253	90819	18	90923	78	90983	86	91080	305	91140	307	91227	255
90690	215	90751	253	90820	18	90924	78	90984	86	91081	305	91141	307		
90691	215	90752	253	90821	18	90925	79	90985	86	91082	305	91142	307		
90692	215	90753	253	90822	30	90926	79	90986	86	91083	305	91143	307		
90693	215	90754	253	90827	193	90927	79	90987	86	91084	305	91144	307		
90694	215	90755	253	90829	63	90928	79	90988	86	91085	305	91145	307		
90695	215	90756	253	90830	63	90929	79	90989	87	91086	305	91146	307		
90696	215	90757	253	90831	63	90930	79	90990	87	91087	305	91147	307		
90697	215	90758	253	90832	63	90931	79	90991	87	91088	305	91148	307		
90698	215	90759	253	90833	63	90932	79	90992	87	91089	305	91149	307		
90699	215	90760	253	90834	63	90933	80	90993	87	91090	305	91150	307		
90700	215	90761	253	90835	55	90934	80	90994	87	91091	305	91151	307		
90701	215	90762	253	90836	55	90935	80	90995	87	91092	305	91152	307		
90702	215	90763	253	90837	55	90936	80	90996	87	91093	305	91153	307		
90703	215	90764	253	90859	74	90937	80	90997	88	91094	306	91154	307		
90704	215	90765	253	90860	74	90938	80	90998	88	91095	306	91155	307		
90705	215	90766	253	90861	74	90939	80	90999	88	91096	306	91156	307		
90706	215	90767	253	90862	74	90940	80	91000	88	91097	306	91157	307		

The reproduction, even partial, of the present catalogue is strictly forbidden by force of law

Tecom reserves the right to make all the necessary changes required by the evolutionary development, both in the designs and dimensions of the illustrated products

For further information, please contact our Technical Commercial Department



teCom
Technology Components

TECOM S.r.l.

Via A.M. Ampère, 43 - 42017 Novellara (RE) - Italy
Tel.: (+39) 0522-651203 Tel.: (+39) 0522-651369
Web: <https://www.tecomsrl.it> e-mail: info@tecomsrl.it